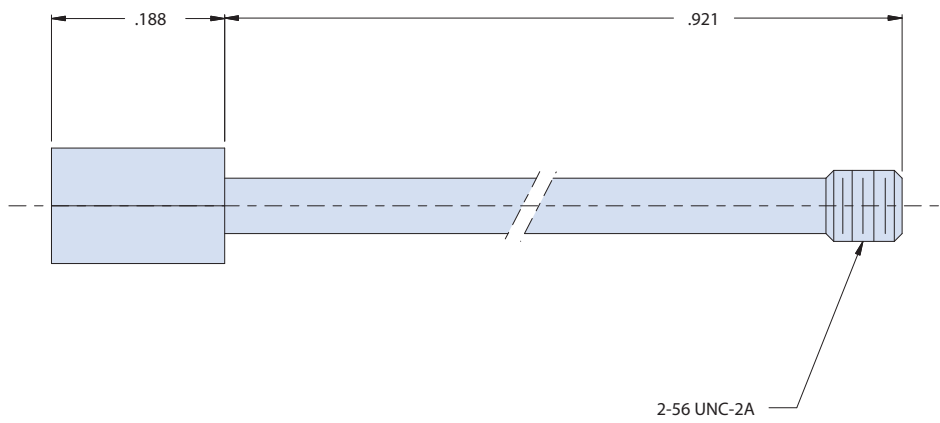
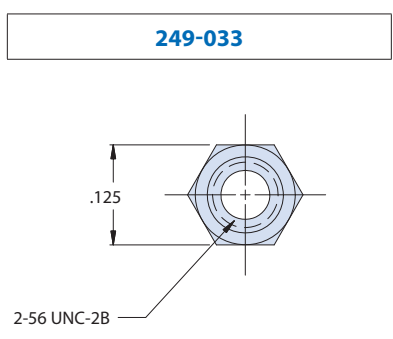


249-033 • 249-051
Jackscrew/Jackpost Kits
for Filter Micro-D Adapters and Filter D-Sub Adapters

249-033 JACKSCREW/JACKPOST KIT FOR FILTER MICRO-D ADAPTERS

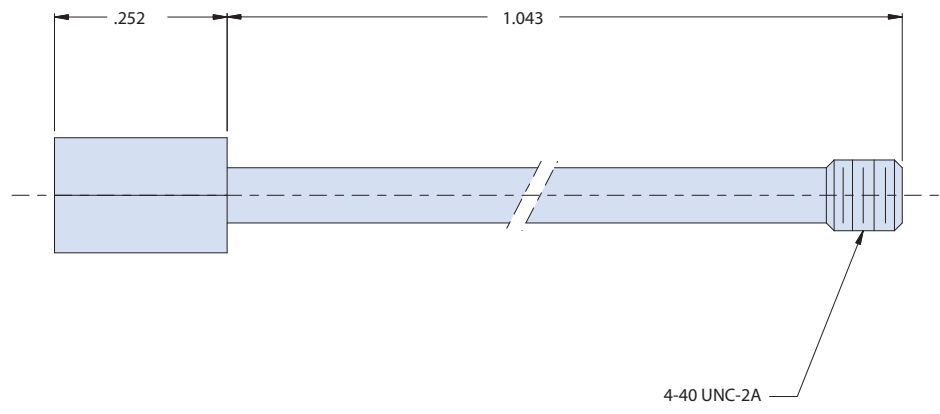
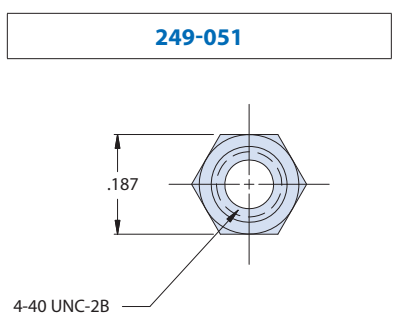


Notes

1. Remove all burrs and sharp edges
2. Kit consists of 2 Jackposts and 2 MS16633-4006 E-Clips

Material/Finish
Material: Corrosion-Resistant Steel IAW ASTM-A484 and ASTM-A582
Finish: Passivate IAW ASTM-A967

249-051 JACKSCREW/JACKPOST KIT FOR FILTER D-SUB ADAPTERS



Notes

1. Remove all burrs and sharp edges
2. Kit consists of 2 Jackposts and 2 MS16633-4012 E-Clips

Material/Finish
Material: Corrosion-Resistant Steel IAW ASTM-A484 and ASTM-A582
Finish: Passivate IAW ASTM-A967

Dimensions in inches (millimeters) and are subject to change without notice.