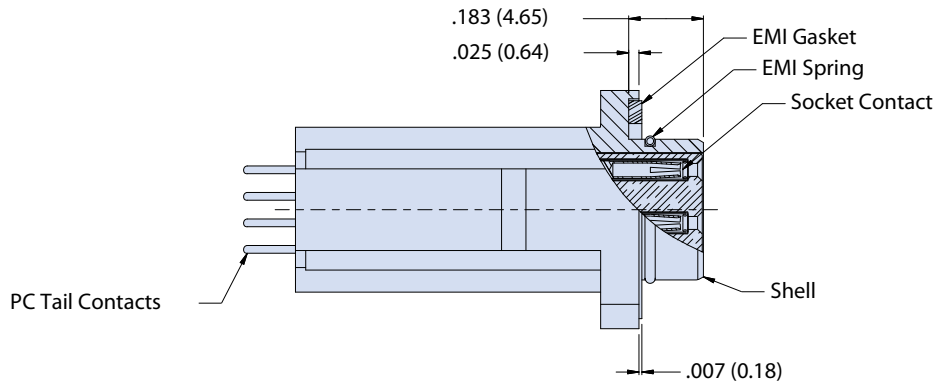
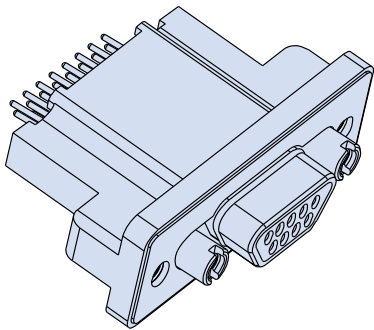




240-790-029  
Series 79 Filtered Plug  
Rear Panel Mount with Straight PC Tails

How To Order Filter Series 79 Connectors

<b>Sample Part Number</b>	240-790-029	S	H-66	ME	E	P	D	S	A
<b>Series</b>	240-790-029								
<b>Contact Type</b>	S - Socket Contacts								
<b>Insert Arrangement</b>	(See Table I)								
<b>Shell Material/Finish</b>	Aluminum Shell ME - Electroless Nickel MT - Nickel-PTFE E - Chem Film Z2 - Gold UC - Zinc Cobalt with Black Chromate J - Cadmium with Yellow Chromate NF - Cad/O.D. over Electroless Nickel								
<b>EMI Spring</b>	E - With EMI Spring N - No EMI Spring								
<b>Filter Type</b>	C - C Filter P - Pi Filter								
<b>Filter Class</b>	X, Y, Z, A, B, C, D, E, F, G, J (See Table II)								
<b>Mating Hardware Options</b>	P - Jackposts G - Male Guide Pins S - Female Guide Sockets N - No Mating Hardware (See Table)								
<b>PC Tail Length</b>	A - .125" (3.18) B - .250" (6.35) C - .375" (9.53)								



**Notes**

1. Assembly to be identified with Glenair's name, part number, and date code, space permitting
2. Ground spring is not compatible with Zinc Cobalt or Cadmium platings. Ground spring is only available with Nickel, Teflon Nickel, Gold, or Chem Film plating on the shell.
3. EMI Filtered plug connector designed to meet requirements of MIL-STD-2120 and Glenair Series 79 specifications. Unless otherwise specified herein, refer to Glenair specification 799-008 for additional performance characteristics.
4. All contacts to have identical filter value. Other filter arrangements available, contact factory
5. See pages G-32 to G-37 for PCB hole patterns
6. Dielectric Withstanding Voltage: 500 VDC (Filter Class X, Y, Z are 250 VDC)
7. Insulation Resistance: 5,000 MEGOHMS min @ 200VDC for

8. Current Carrying Capacity  
23 Gage - 5 Amps max. for all layouts  
16 Gage - 7.5 Amps max. for combo layouts / 13 Amps max. for all-power layouts  
12 Gage - 13 Amps max. for combo layouts / 23 Amps max. for all-power layouts
9. Other filter styles (C-L, L-C, Unbalanced Pi, Multi-Stage, Multi-Value) are available. Please consult factory with your requirements.

**Materials/Finishes:**

Insulators - High Grade Rigid Dielectric / N.A.  
Contacts - Copper Alloy / 50 microinches Gold over Nickel  
Mating Hardware - 300 Series Stainless Steel / Passivated  
EMI Gasket - Silver-Filled Fluorosilicone, CHO-SEAL 1287

Dimensions in inches (millimeters) and are subject to change without notice.

240-790-029  
**Series 79 Filtered Plug**  
 Rear Panel Mount with Straight PC Tails



**Table I: Contact Arrangements**

Layout	Contact Quantity			Face View
	#23	#16	#12	
A-5	5			
B-2P2		2		
B-9	9			
C-13	13			
D-15	15			
D-3P3		3		
D-7P2	5	2		
E-11P2	9	2		
E-19	19			
E-7P3	4	3		
F-15P2	13	2		
F-23	23			
F-5P5		5		
G-33	33			
H-10P4	6		4	
H-29P7	22	7		
H-36P2	34		2	
H-54P2	52	2		
H-5P5			5	
H-66	66			
J-17P4	13	4		
J-25P2	23	2		
J-33	33			
J-7P7		7		
K-27P4	23	4		
K-35P2	33	2		
K-43	43			
K-9P9		9		
L-6P6			6	
L-78	78			
M-102	102			

**Table II: Capacitor Array Code / Capacitance Range**

Class	Pi - Circuit (pF)	C - Circuit (pF)
X*†	160,000 - 240,000	80,000 - 120,000
Y*	80,000 - 120,000	40,000 - 60,000
Z*	60,000 - 90,000	30,000 - 45,000
A	38,000 - 56,000	19,000 - 28,000
B	32,000 - 45,000	16,000 - 22,500
C	18,000 - 33,000	9,000 - 16,500
D	8,000 - 12,000	4,000 - 6,000
E	3,300 - 5,000	1,650 - 2,500
F	800 - 1,300	400 - 650
G	400 - 600	200 - 300
J	70-120	35-60

\* Filter Classes X, Y and Z are 250 VDC.  
 All others are 500 VDC  
 † Class X filters not available for insert arrangements with 3 or more rows of contacts

**Blind mate**

SHELL SIZES A, B, C, D, E, F, G, J, K

± .030 (0.76) Allowable misalignment from centerline

SHELL SIZES H, L

± .040 (1.02) Allowable misalignment from centerline

SHELL SIZE M

± .050 (1.27) Allowable misalignment from centerline



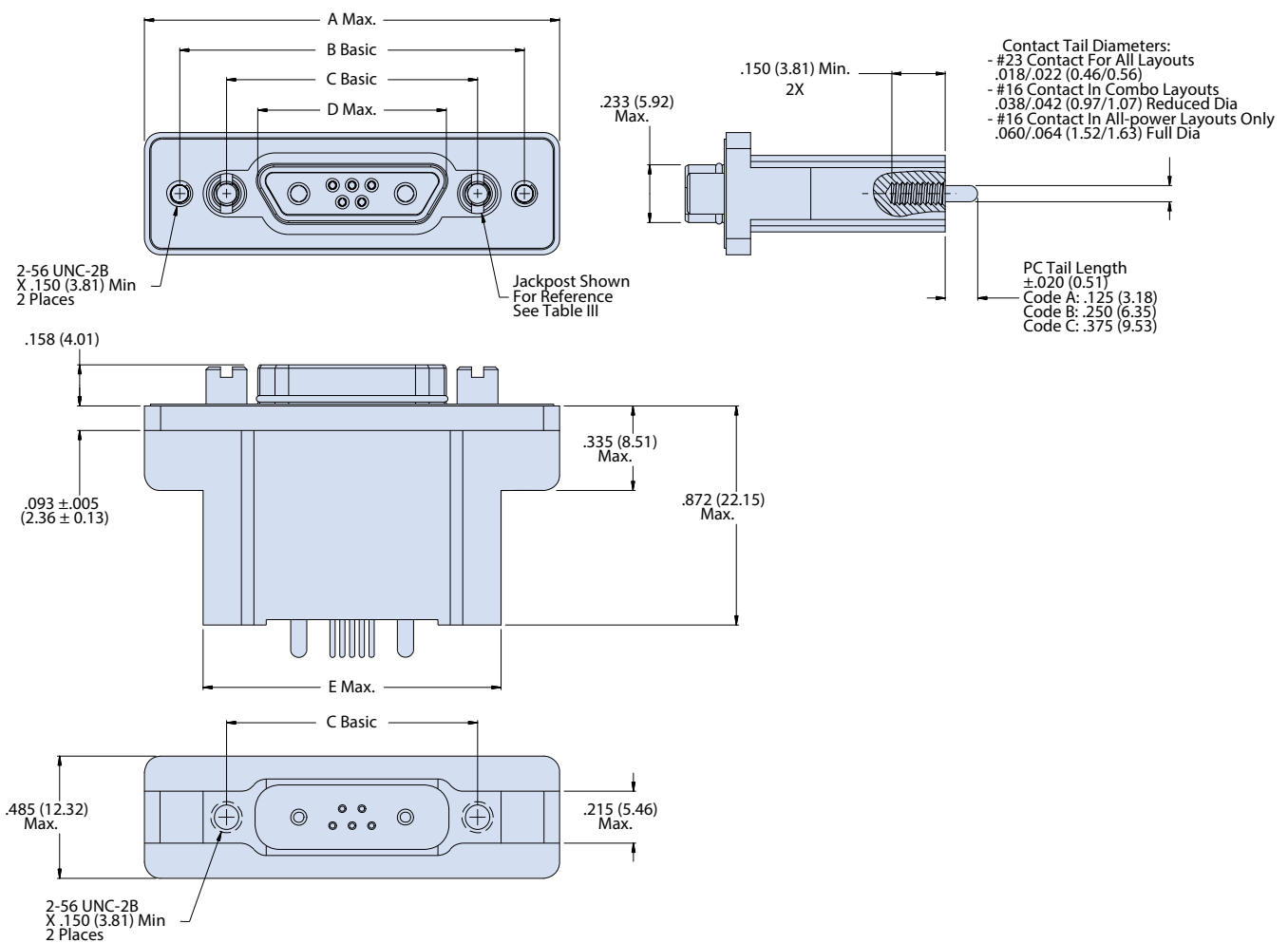
**Table III: Hardware Option**

<b>N</b> No Mating Hardware		Connector supplied with blind tapped holes. .150" (3.8 mm) minimum depth. Shell size M has #8-32 UNC-2B thread. Shell sizes H and L have #6-32 UNC-2B thread. All other sizes have #4-40 UNC-2B thread.
<b>P</b> Jackposts		Connector is supplied with non-removable stainless steel jackposts. Shell size M has 6-32-UNC thread. Shell sizes H and L have #4-40 UNC-2B thread. All other sizes have #2-56 UNC-2B thread.
<b>G</b> Guide Pins		Connector is supplied with stainless steel non-removable guide pins for blind mate applications. Mates with type "S" guide sockets on corresponding plug connector.
<b>S</b> Guide Sockets		Connector is supplied with stainless steel non-removable bushings for blind mate applications. Mates with type "G" guide pins on corresponding plug connector.

Dimensions in inches (millimeters) and are subject to change without notice.



**240-790-029S SHELL SIZE A, B, C, D, E, F, J AND K DIMENSIONS**



Shell Sizes A, B, C, D, E, F, J, K

790-029S Dimensions for Size A-F, J and K										
Shell Size	A Max.		B Basic		C Basic		D Max.		E Max.	
	In.	mm.	In.	mm.	In.	mm.	In.	mm.	In.	mm.
A	1.211	30.76	.925	23.50	.565	14.35	.335	8.51	.760	19.30
B	1.361	34.57	1.075	27.31	.715	18.16	.485	12.32	.910	23.11
C	1.511	38.38	1.225	31.12	.865	21.97	.635	16.13	1.060	26.92
D	1.611	40.92	1.325	33.66	.965	24.51	.735	18.67	1.160	29.46
E	1.761	44.73	1.475	37.47	1.115	28.32	.885	22.48	1.310	33.27
F	1.911	48.54	1.625	41.28	1.265	32.13	1.035	26.29	1.460	37.08
J	2.261	57.43	1.975	50.17	1.615	41.02	1.390	35.31	1.810	45.97
K	2.661	67.59	2.375	60.33	2.015	51.18	1.795	45.59	2.210	56.13

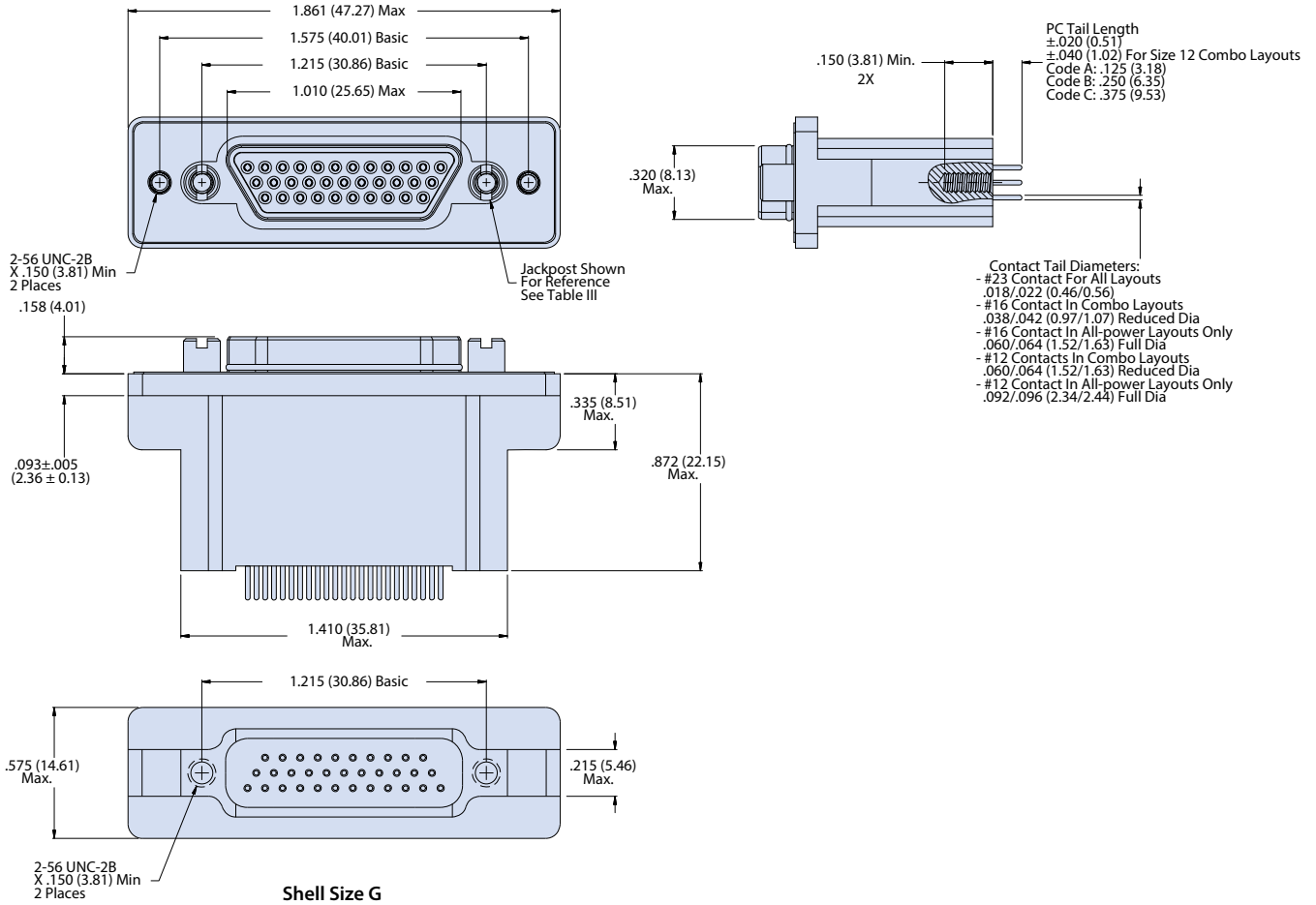
Dimensions in inches (millimeters) and are subject to change without notice.

240-790-029  
 Series 79 Filtered Plug  
 Rear Panel Mount with Straight PC Tails



Series 79  
 Micro-Crimp

240-790-029S SHELL SIZE G DIMENSIONS



Dimensions in inches (millimeters) and are subject to change without notice.

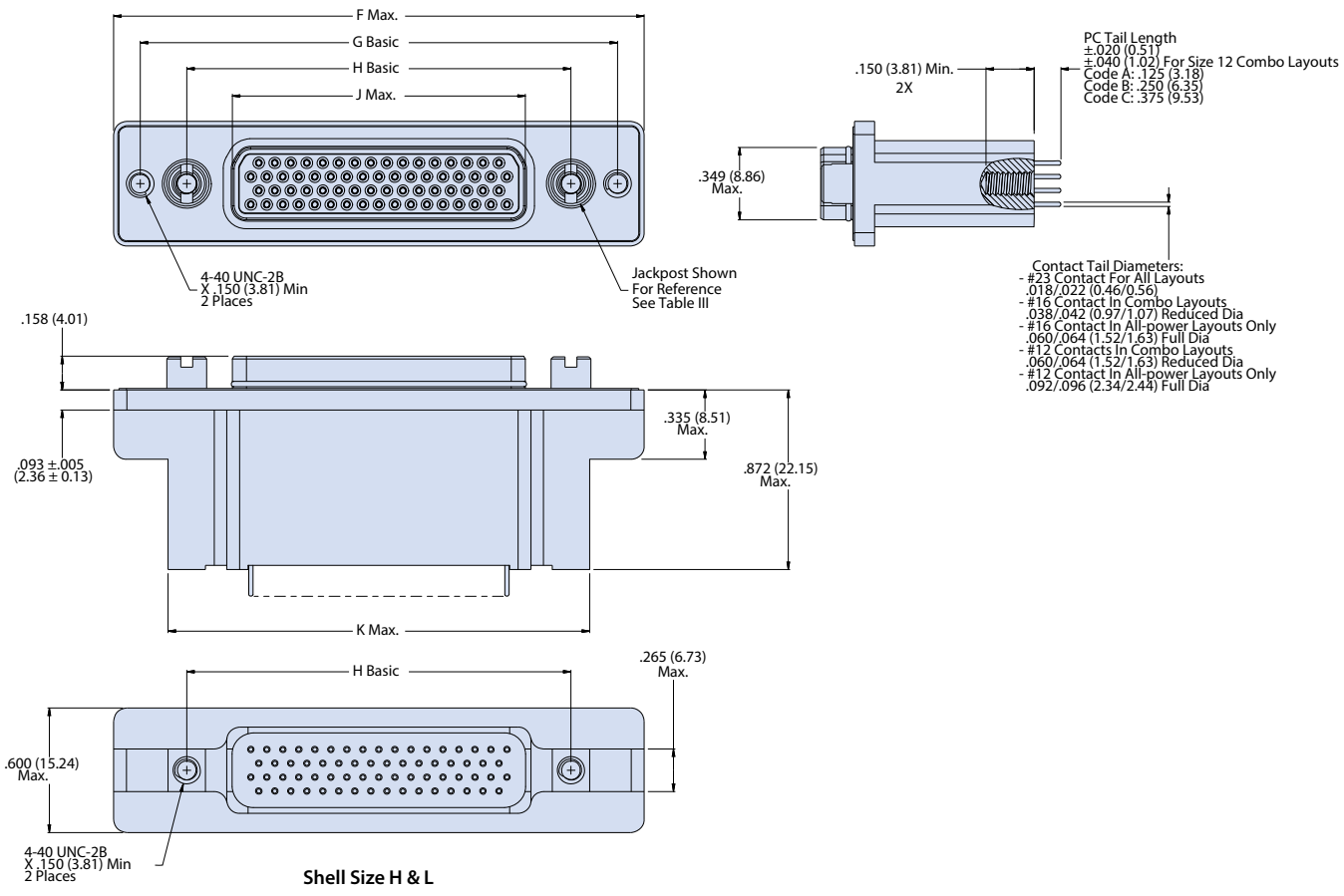
© 2013 Glenair, Inc.

U.S. CAGE Code 06324

Printed in U.S.A.



**240-790-029S SHELL SIZE H AND L DIMENSIONS**



790-029S Size H & L Dimensions										
Shell Size	F Max.		G Basic		H Basic		J Max.		K Max.	
	In.	mm.	In.	mm.	In.	mm.	In.	mm.	In.	mm.
H	2.500	63.50	2.236	56.79	1.800	45.72	1.385	35.18	2.045	51.94
L	2.736	69.49	2.472	62.79	2.036	51.71	1.623	41.22	2.281	57.94

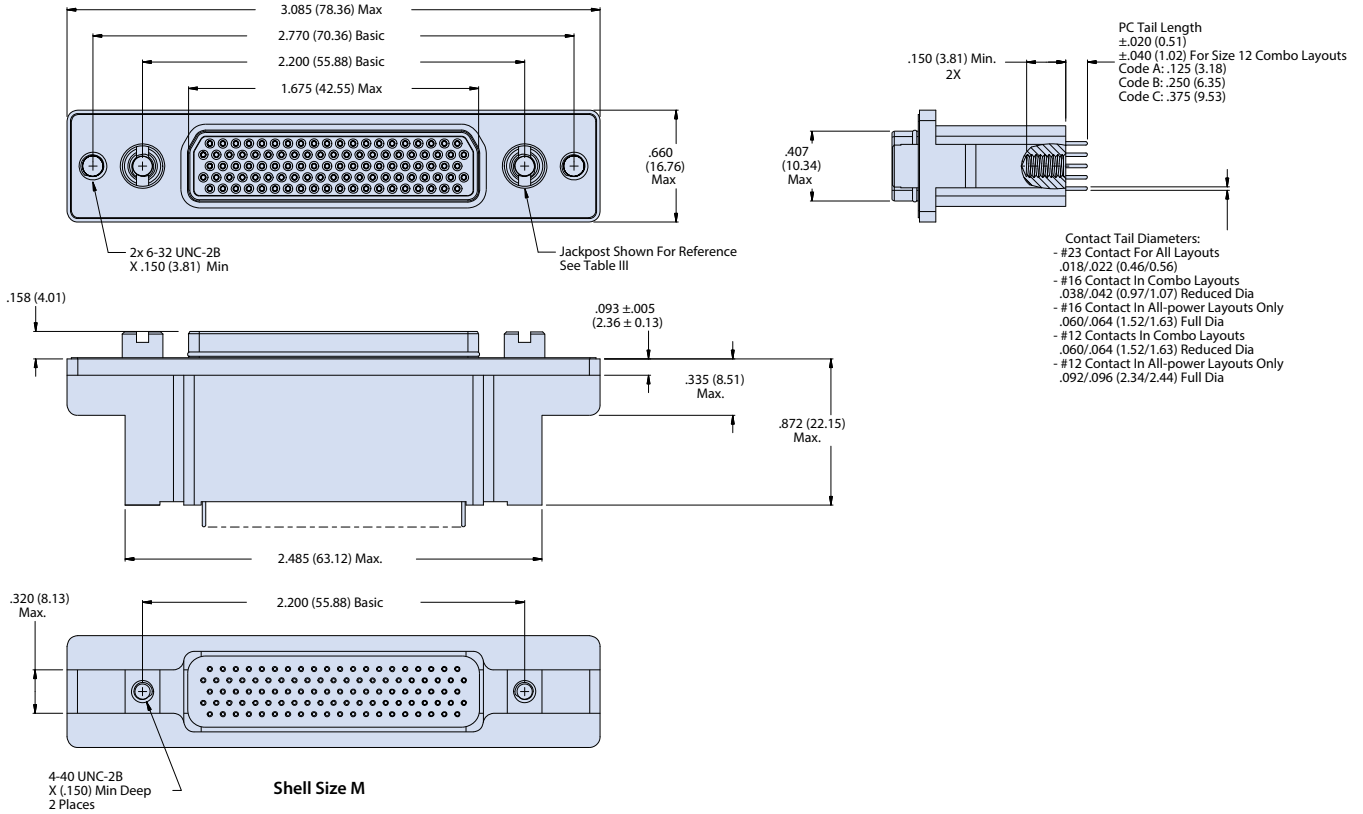
Dimensions in inches (millimeters) and are subject to change without notice.

240-790-029  
 Series 79 Filtered Plug  
 Rear Panel Mount with Straight PC Tails



Series 79  
 Micro-Crimp

240-790-029S SHELL SIZE M DIMENSIONS



Dimensions in inches (millimeters) and are subject to change without notice.

© 2013 Glenair, Inc.

U.S. CAGE Code 06324

Printed in U.S.A.