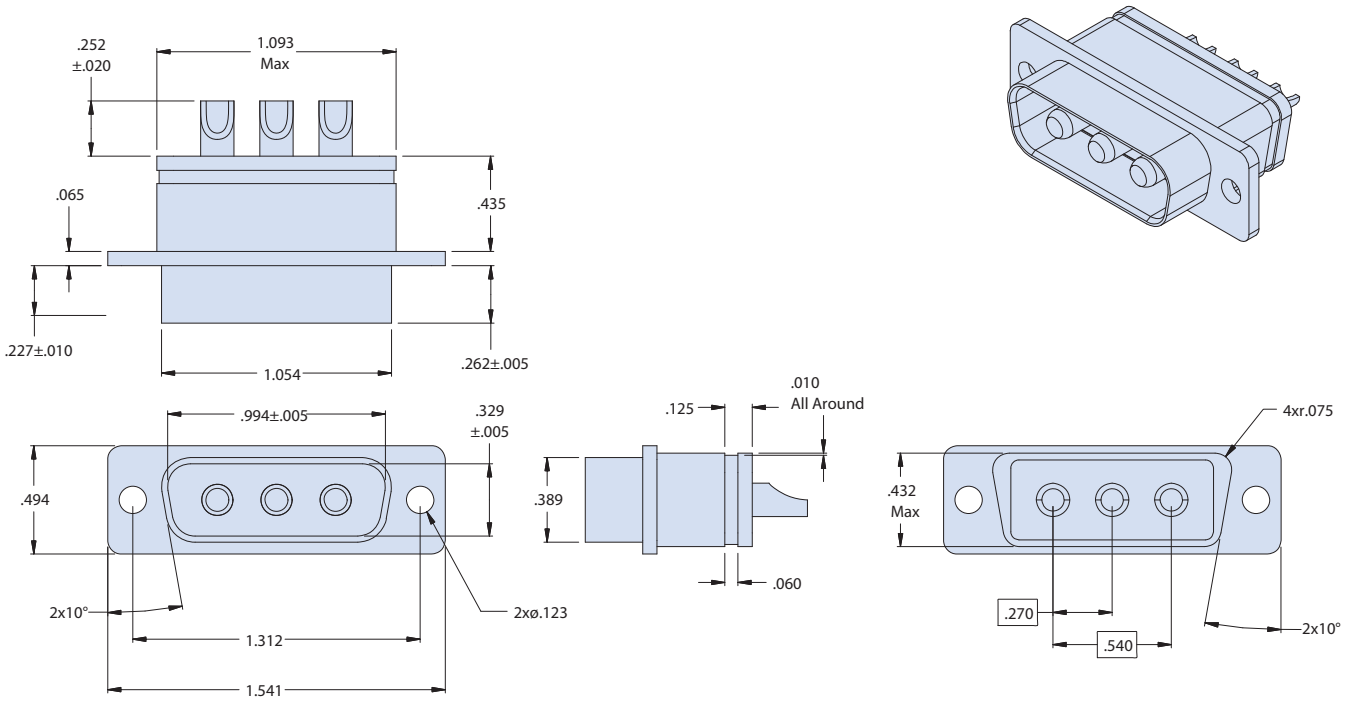


# 2470-1112 Combo-D Filtered Plug Connector

E



**Notes**

1. Assembly to be identified with Glenair's name, part number, and date code space permitting
2. Electrical Performance: C filter  
 Capacitance: 80 – 120 nF  
 Dielectric Withstanding Voltage: 500 VDC  
 Insulation Resistance: 5,000 Megohms @ 200 VDC

**Materials/Finishes:**

Shell - Aluminum/Yellow Chromate over Cadmium (JF)  
 Insulators - High Grade Rigid Dielectric / NA  
 Contacts - Copper Alloy / Gold Plated  
 Hardware - Stainless Steel/Passivated  
 Interfacial Seal - Fluorosilicone Blend / NA

Dimensions in inches (millimeters) and are subject to change without notice.