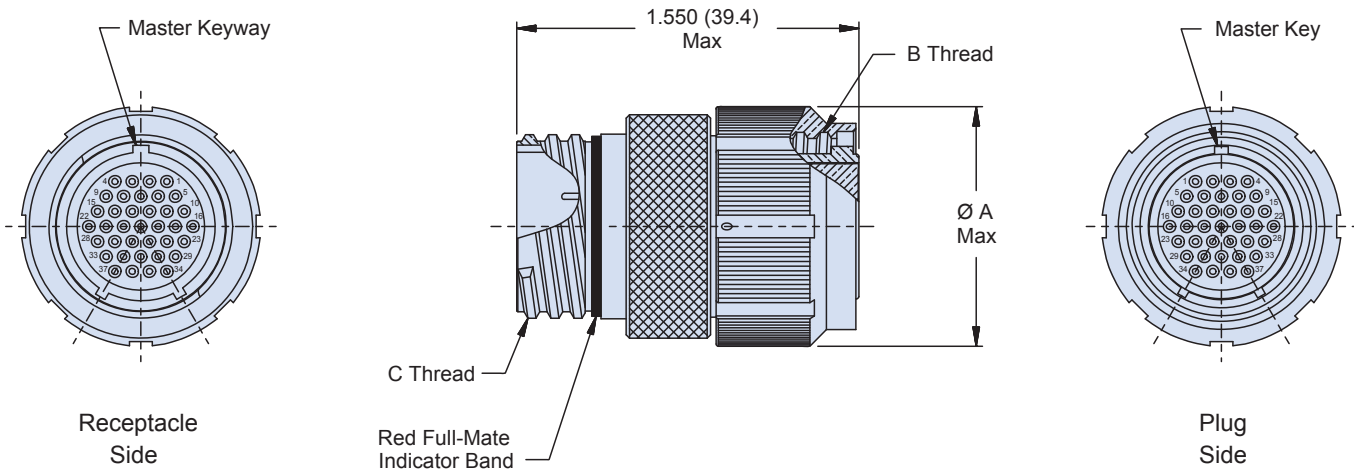


### MIGHTY MOUSE FILTER CONNECTOR ADAPTER

How To Order								
Sample Part Number	240-801-	AA	M	6-7	PS	P	A	A
Filter Connector	Series 801 Mighty Mouse							
Shell Style	AA = Adapter							
Shell Material/Finish	See Table I							
Insert Arrangement	See pages C-3 – C-7							
Contact Gender	PS = Pins, Plug Side SP = Sockets, Plug Side (See Note 2)							
Filter Type	P = Pi Circuit C = C Circuit (See Note 1)							
Capacitance	See Table II							
Alternate Key Position	A, B, C, D, E, F, U A = Normal, U = Universal (See page C-2)							



#### Notes

- Other filter styles (C-L, L-C, Unbalanced Pi, Multi-Stage, Multi-Value) are available, please consult the factory.
- Please consult factory for Pin/Pin and/or Socket/Socket contact arrangements.

Dimensions in inches (millimeters) and are subject to change without notice.

**240-801-AA**  
**Series 801 Mighty Mouse Filter Connector Adapter**  
**High Density, Quick Coupling Threads**



Table I: Connector Class		
Sym	Material	Finish Description
M	Aluminum	Electroless Nickel
MT		Ni-PTFE 1000 Hour Grey™ Nickel Fluorocarbon Polymer
NF		Cadmium, Olive Drab over Electroless Nickel
ZN		Zinc-Nickel, Olive Drab
ZR		Zinc-Nickel, Black - RoHS
ZL	Stainless Steel	Electro-Deposited Nickel

Table II: Capacitor Array Code Capacitance Range		
Class	Pi - Circuit (pF)	C - Circuit (pF)
A	38,000 - 56,000	19,000 - 28,000
B	32,000 - 45,000	16,000 - 22,500
C	18,000 - 33,000	9,000 - 16,500
D	8,000 - 12,000	4,000 - 6,000
E	3,300 - 5,000	1,650 - 2,500
F	800 - 1,300	400 - 650
G	400 - 600	200 - 300
J	70 - 120	35 - 60

Table III: Dimensions			
Shell Size	Ø A Max	B Thread	C Thread
5	.720 (18.3)	.3125-.05P-.1L-DS-2B	.3125-.05P-.1L-DS-2A
6	.800 (20.3)	.3750-.05P-.1L-DS-2B	.3750-.05P-.1L-DS-2A
7	.870 (22.1)	.4375-.05P-.1L-DS-2B	.4375-.05P-.1L-DS-2A
8	1.000 (25.4)	.5000-.05P-.1L-DS-2B	.5000-.05P-.1L-DS-2A
9	1.060 (26.9)	.5625-.05P-.1L-DS-2B	.5625-.05P-.1L-DS-2A
10	1.060 (26.9)	.6250-.05P-.1L-DS-2B	.6250-.05P-.1L-DS-2A
11	1.100 (27.9)	.6875-.05P-.1L-DS-2B	.6875-.05P-.1L-DS-2A
13	1.250 (31.8)	.8125-.1P-.2L-DS-2B	.8125-.1P-.2L-DS-2A
16	1.380 (35.1)	1.0000-.1P-.2L-DS-2B	1.0000-.1P-.2L-DS-2A
17	1.460 (37.1)	1.0625-.1P-.2L-DS-2B	1.0625-.1P-.2L-DS-2A
19	1.600 (40.6)	1.1875-.1P-.2L-DS-2B	1.1875-.1P-.2L-DS-2A
21	1.850 (47.0)	1.3125-.1P-.2L-DS-2B	1.3125-.1P-.2L-DS-2A

Dimensions in inches (millimeters) and are subject to change without notice.