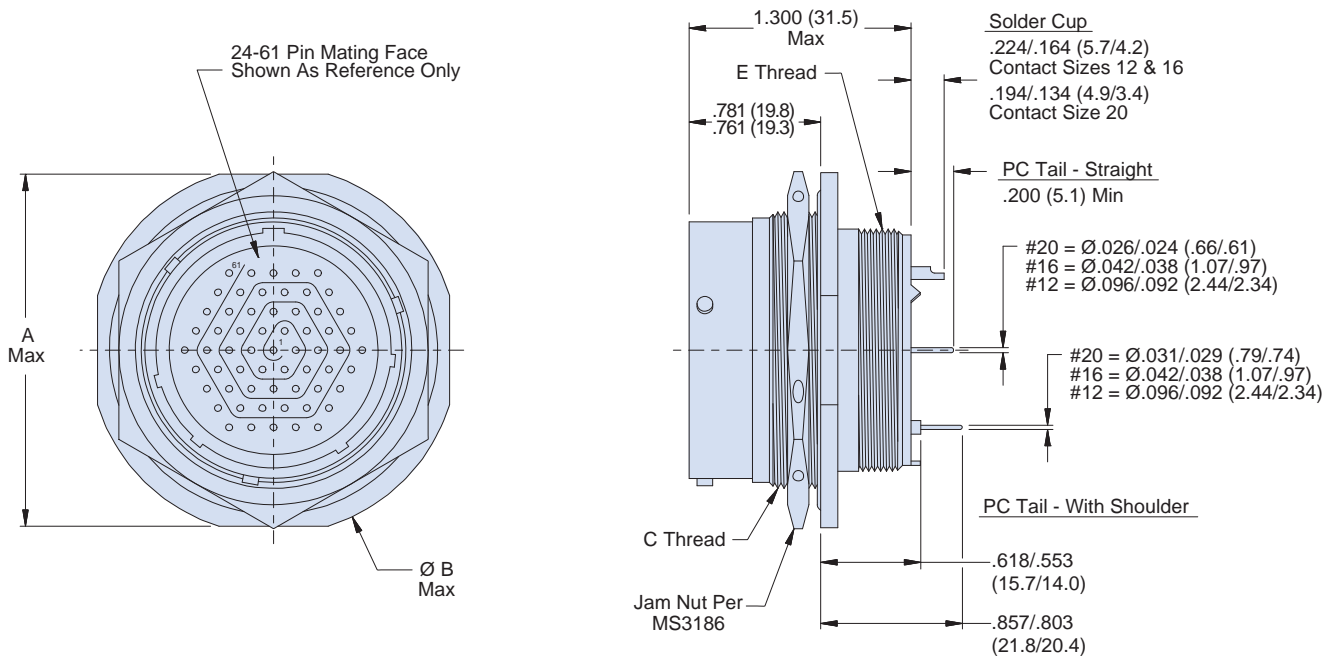


MIL-DTL-83723 SERIES III JAM NUT RECEPTACLE, BAYONET COUPLING

How To Order										
Sample Part Number	240-838	J	ME	24-61	P	S	P	A	N	N
Filter Connector	MIL-DTL-83723 Series III Type, Bayonet Coupling									
Shell Style	J = Jam Nut									
Connector Class	See Table I									
Insert Arrangement	IAW MIL-STD-1554. (See pages B-72 – B-73)									
Contact Gender	P = Pin IAW D83723/74 S = Socket IAW D83723/73									
Termination	S = Solder Cup P = PC Tail, Straight T = PC Tail, with Shoulder									
Filter Type	P = Pi Circuit C = C Circuit (See Note 1)									
Capacitance	See Table II									
Flange Mounting Style	N = Not Applicable									
Alternate Insert Position	IAW MIL-DTL-83723 and MIL-STD-1554 1, 2, 3, 4, 5, 6, 7, 8, 9, Y, N = Normal (See page B-73)									


Notes

- Other filter styles (C-L, L-C, Unbalanced Pi, Multi-Stage, Multi-Value) are available, please consult the factory.

Dimensions in inches (millimeters) and are subject to change without notice.

240-838J
MIL-DTL-83723 Series III Type
Jam Nut Receptacle, Bayonet Coupling



MIL-DTL-83723
Type

B

Table I: Connector Class		
Sym	Material	Finish Description
ME	Aluminum	Electroless Nickel
MT		Ni-PTFE 1000 Hour Grey™ Nickel Fluorocarbon Polymer
NF		Cadmium O.D. Over Electroless Nickel
ZL	Stainless Steel	Electro-Deposited Nickel
ZN	Aluminum	Zinc-Nickel, Olive Drab
ZR	Aluminum	Zinc Nickel, Black - RoHS
H2*	Stainless Steel	Electro-Deposited Nickel

*Some dimensions do not apply. See drawing 240-838JH2

Table II: Capacitor Array Code Capacitance Range		
Class	Pi - Circuit (pF)	C - Circuit (pF)
X*	160,000 - 240,000	80,000 - 120,000
Y*	80,000 - 120,000	40,000 - 60,000
Z*	60,000 - 90,000	30,000 - 45,000
A	38,000 - 56,000	19,000 - 28,000
B	32,000 - 45,000	16,000 - 22,500
C	18,000 - 33,000	9,000 - 16,500
D	8,000 - 12,000	4,000 - 6,000
E	3,300 - 5,000	1,650 - 2,500
F	800 - 1,300	400 - 650
G	400 - 600	200 - 300
J	70-120	35-60

* Filter Classes X, Y and Z are 250 VDC.
All others are 500 VDC

Table III: Dimensions				
Shell Size	A Max	Ø B Max	C Thread -2A	E Thread -2A
8	.979 (24.9)	1.068 (27.1)	.625-20 UN	.500-20 UNF
10	1.104 (28.0)	1.192 (30.3)	.750-20 UNEF	.625-24 UNEF
12	1.291 (32.8)	1.380 (35.1)	.938-20 UNEF	.750-20 UNEF
14	1.391 (35.3)	1.505 (38.2)	1.000-20 UNEF	.875-20 UNEF
16	1.516 (38.5)	1.630 (41.4)	1.125-18 UNEF	1.000-20 UNEF
18	1.641 (41.7)	1.756 (44.6)	1.250-18 UNEF	1.062-18 UNEF
20	1.766 (44.9)	1.860 (47.2)	1.375-18 UNEF	1.188-18 UNEF
22	1.954 (49.6)	2.086 (52.6)	1.500-18 UNEF	1.312-18 UNEF
24	2.079 (52.8)	2.160 (54.9)	1.625-18 UNEF	1.438-18 UNEF

Dimensions in inches (millimeters) and are subject to change without notice.