

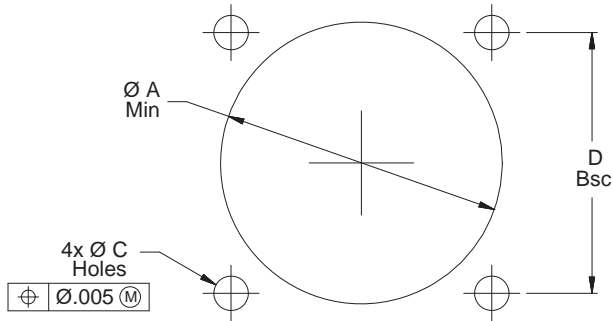
MIL-DTL-38999 Series II Type Filter Connectors Panel Cut-Outs



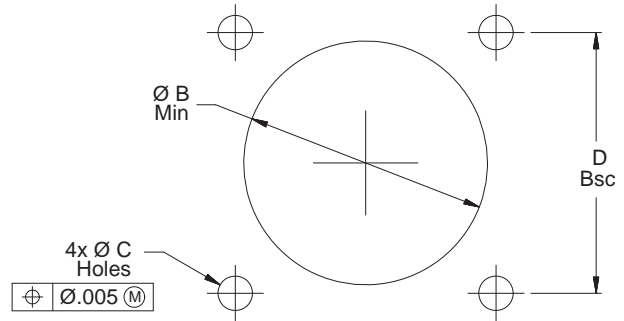
MIL-DTL-38999
Type

B

Back Panel Mounting



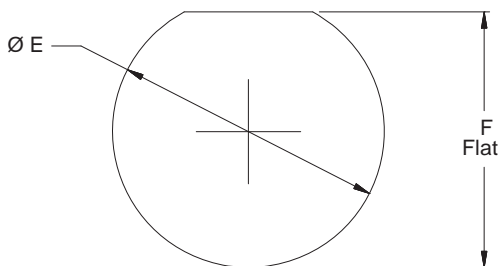
Front Panel Mounting



MIL-DTL-38999 Series II Square Flange Panel Cut-Outs				
Shell Size	Ø A Min Back Panel	Ø B Min * Front Panel	Ø C Holes	D Bsc
8	.557 (14.2)	.625 (15.9)	.123 (3.1) .133 (3.4)	.594 (15.1)
10	.682 (17.3)	.750 (19.1)		.719 (18.3)
12	.854 (21.7)	.906 (23.0)		.812 (20.6)
14	.979 (24.9)	1.016 (25.8)		.906 (23.0)
16	1.104 (28.0)	1.141 (29.0)		.969 (24.6)
18	1.229 (31.2)	1.141 (29.0)		1.062 (27.0)
20	1.354 (34.4)	1.266 (32.2)		1.156 (29.4)
22	1.479 (37.6)	1.375 (34.9)		1.250 (31.8)
24	1.604 (40.7)	1.484 (37.7)	.149 (3.8) .159 (4.0)	1.375 (34.9)

*Note: Accessory threads for shell size 8 thru 16 are one size larger than MIL-DTL-38999 Series II to accommodate filters. Recommended front panel cut-outs (Ø B) modified accordingly.

MIL-DTL-38999 Series II Jam Nut Panel Cut-Out		
Shell Size	Ø E	F Flat
8	.895 (22.7)	.830 (21.1)
	.885 (22.5)	.820 (20.8)
10	1.020 (25.9)	.955 (24.3)
	1.010 (25.7)	.945 (24.0)
12	1.145 (29.1)	1.085 (27.6)
	1.135 (28.8)	1.075 (27.3)
14	1.270 (32.3)	1.210 (30.7)
	1.260 (32.0)	1.200 (30.5)
16	1.395 (35.4)	1.335 (33.9)
	1.385 (35.2)	1.325 (33.7)
18	1.520 (38.6)	1.460 (37.1)
	1.510 (38.4)	1.450 (36.8)
20	1.645 (41.8)	1.585 (40.3)
	1.635 (41.5)	1.575 (40.0)
22	1.770 (45.0)	1.709 (43.4)
	1.760 (44.7)	1.699 (43.2)
24	1.895 (48.1)	1.835 (46.6)
	1.885 (47.9)	1.825 (46.4)



Dimensions in inches (millimeters) and are subject to change without notice.