

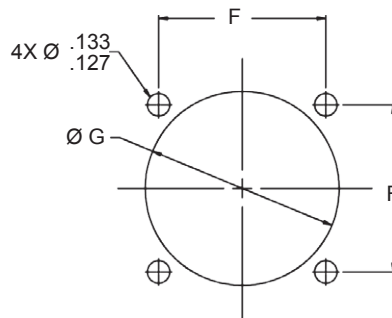


Code	Material	Description
ME	Aluminum Alloy	Electroless Nickel
MT		Nickel-PTFE, Grey
ZN		Zinc-Nickel, Olive Drab
ZR		Zinc-Nickel, Black
Z1	Stainless Steel	Passivate

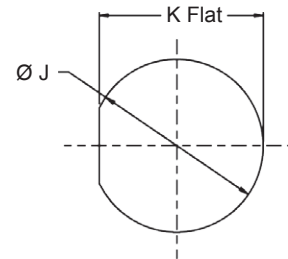
Shell Size	Shell Size Code (Ref)	Insert Arrangement	AA Thread	BB Thread
11	B	2 or 4	M15 x 1.0-6g 0.100R	.7500-.1P-.2L-DS
13	C	6	M18 x 1.0-6g 0.100R	.8750-.1P-.2L-DS
15	D	8 or 10	M22 x 1.0-6g 0.100R	1.0625-.1P-.2L-DS
23	H	18 or 36	M34 x 1.0-6g 0.100R	1.5000-.1P-.2L-DS

Shell Size	Shell Size Code (Ref)	Ø A Max	C ±.010	E ±.015	F	Ø G ±.005	Ø J ±.005	K ±.005	L Hex	M Hex Corners Max
11	B	1.028 (26.1)	1.264 (32.1)	1.023 (26.0)	.750 (19.1)	.812 (20.6)	.885 (22.5)	.848 (21.5)	1.075 (27.3)	1.290 (32.8)
13	C	1.141 (29.0)	1.389 (35.3)	1.138 (28.9)	.843 (21.4)	0.937 (23.8)	1.010 (25.7)	.973 (24.7)	1.205 (30.6)	1.435 (36.4)
15	D	1.263 (32.1)	1.577 (40.1)	1.258 (32.0)	.968 (24.6)	1.124 (28.5)	1.198 (30.4)	1.160 (29.5)	1.329 (33.8)	1.650 (41.9)
23	H	1.705 (43.3)	2.004 (50.9)	1.718 (43.6)	1.281 (32.5)	1.562 (39.7)	1.630 (41.4)	1.593 (40.5)	1.812 (45.9)	2.093 (53.2)

Polarization	Shell Size 11	Shell Size 13, 15, & 23
1	55°	30°
2	80°	55°
3	105°	80°
4	130°	105°
5	230°	130°
6	255°	155°
7	280°	205°
8	305°	230°
9	-	255°
A	-	280°
B	-	305°
C	-	330°
Universal	See notes	



Recommended Panel Cut-Out for Wall Mount Receptacles



Recommended Panel Cut Out for Jam Nut Mount Receptacles as viewed from front of panel

