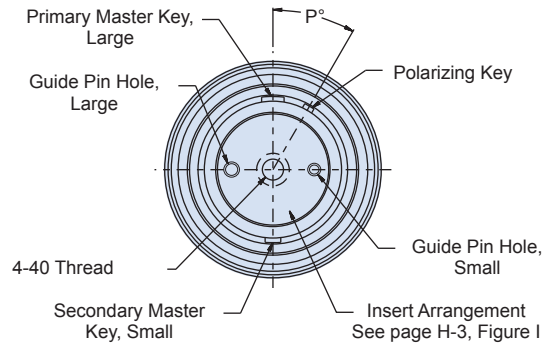
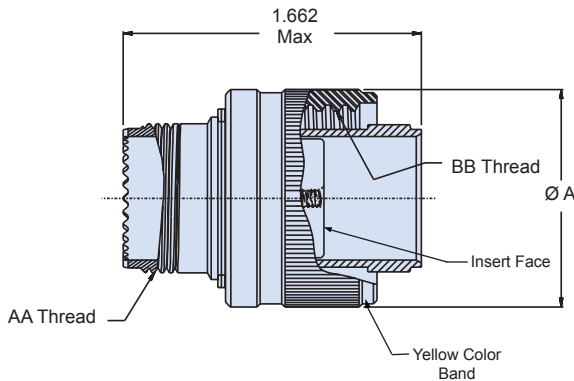
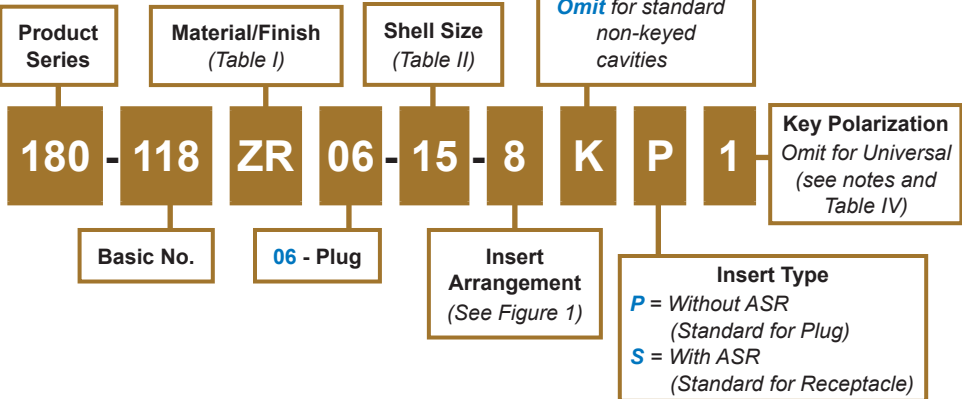


**MIL-PRF-64266/2 NGCON type fiber optic plug**

**How To Order**

**06 - Plug**

Standard Plug Configuration Supplied Without ASR  
(Insert Type=P)

**Material and Finish**

Plug Barrel, Coupling Nut: See Table I  
 Insert: Al Alloy/Anodize, or High Grade Engineering Plastic - mfr's option  
 Peripheral Seal (not shown): Fluorosilicone/Silicone Blend  
 Misc. Hardware: Stainless Steel/Passivate

**Notes**

Plug connector universal key polarization only contains the primary and secondary master keys (no polarization key). Alignment Sleeve Retainer (ASR, not shown) is supplied standard with insert type "S" only. One ASR is required for each mated pair of connectors.  
 ASR may be ordered separately. See Glenair drawing 180-118ASR. Connectors with keyed terminus cavities are intended for use with keyed termini for singlemode APC. Otherwise use standard non-keyed connector cavities and termini.