



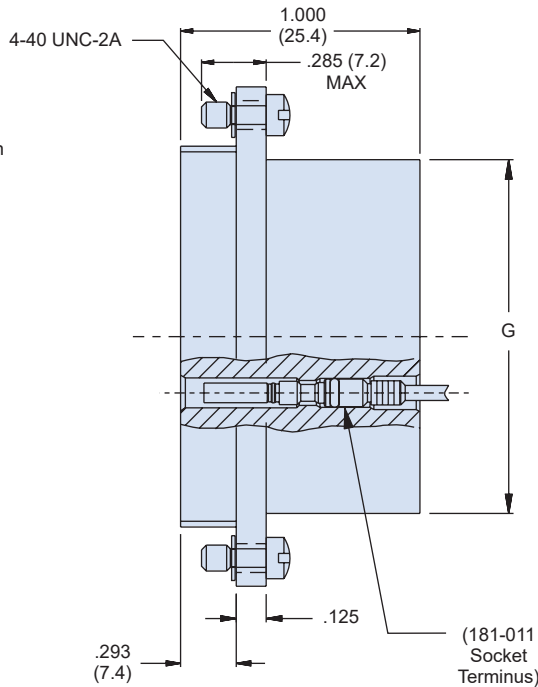
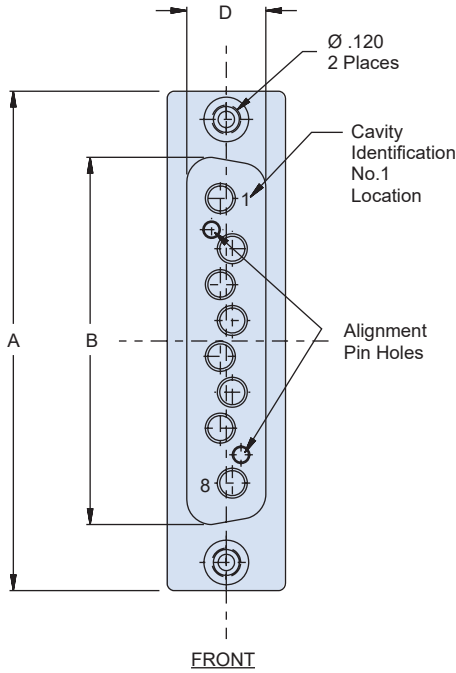
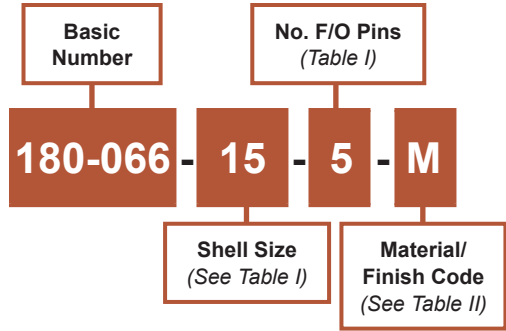
180-066

D-Subminiature Fiber Optic Plug Connector for Glenair Front Release Socket Terminus 181-011

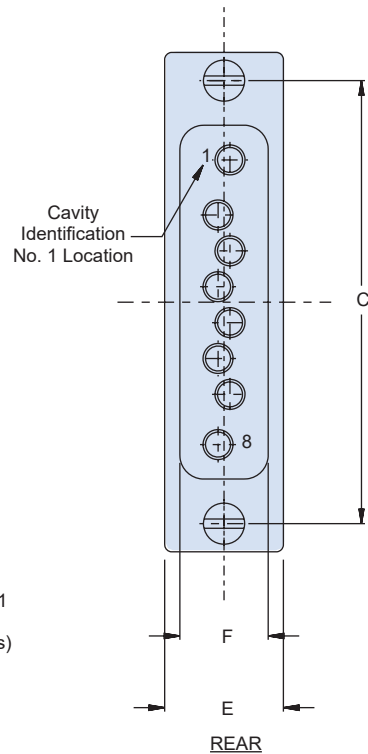
D-subminiature GFR fiber optic plug connector



How To Order



25-8 Shown



Material and Finish

Shell: See Table II
Misc. Hardware: Stainless steel/passivate

Notes

Fiber Optic Socket Terminus to be ordered separately (see Glenair drawing 181-011).
Backshell to be ordered separately (consult Glenair for available backshell & jackscrew hardware).
For mating receptacle connector, see Glenair drawing 181-065.

180-066

**D-Subminiature Fiber Optic Plug Connector
for Glenair Front Release Socket Terminus 181-011**



Glenair Front
Release System

Table I: Shell Size

Shell Size	A ±.010 (0.25)	B ±.010 (0.25)	C ±.005 (0.13)	D ±.010 (0.25)	E ±.010 (0.25)	F ±.010 (0.25)	G ±.010 (0.25)	Max F.O. Pin
9	1.213 (30.8)	.643 (16.3)	.984 (25.0)	.308 (7.82)	.498 (12.6)	.369 (9.4)	.650 (16.5)	4
15	1.545 (39.2)	.968 (24.6)	1.312 (33.3)	.308 (7.82)	.498 (12.6)	.369 (9.4)	.932 (23.7)	5
25	2.090 (53.1)	1.508 (38.3)	1.852 (47.0)	.308 (7.82)	.498 (12.6)	.369 (9.4)	1.479 (37.6)	8
50	2.640 (67.1)	2.062 (52.4)	2.406 (61.1)	.420 (10.67)	.610 (15.5)	.500 (12.7)	2.000 (50.8)	12

G

Table II: Material/Finish

Code	Material	Finish
C	Aluminum Alloy	Anodize, Black
M		Electroless Nickel
NF		Cadmium, Olive Drab, Over Electroless Nickel
ZN		Zinc-Nickel, Olive Drab, Over Electroless Nickel
Z1	Stainless Steel	Passivate