

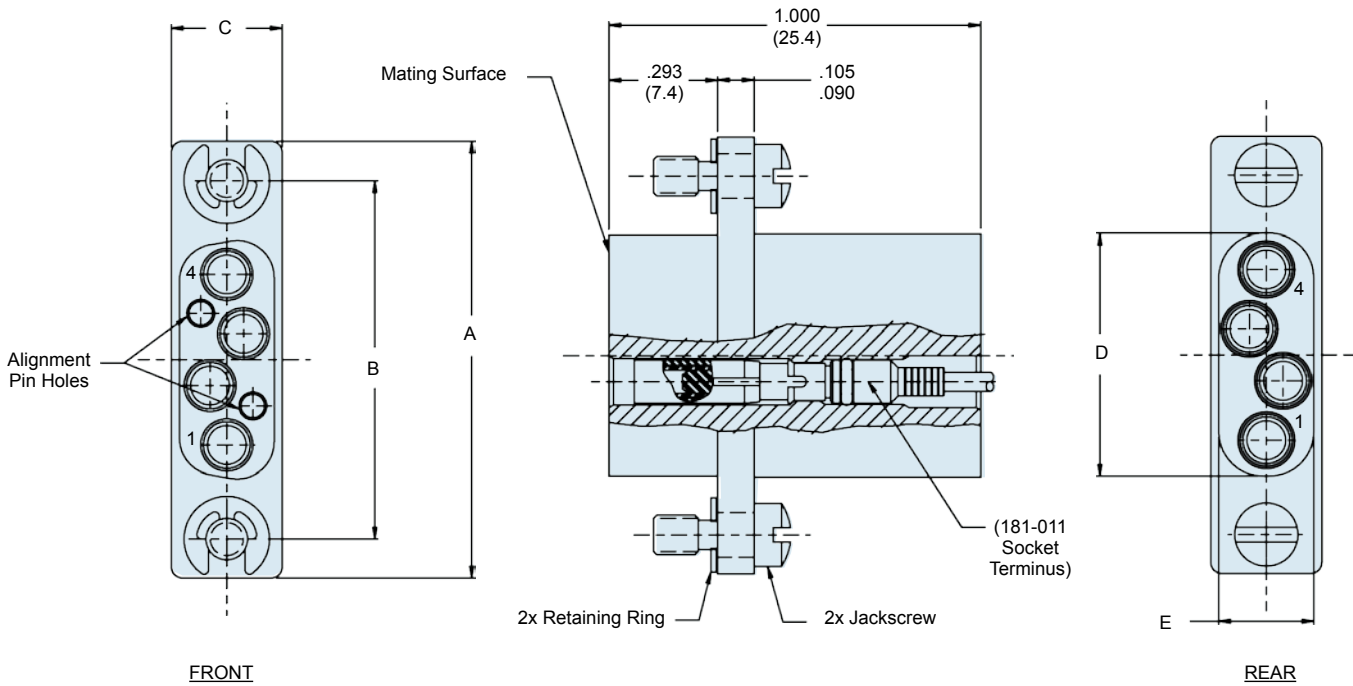
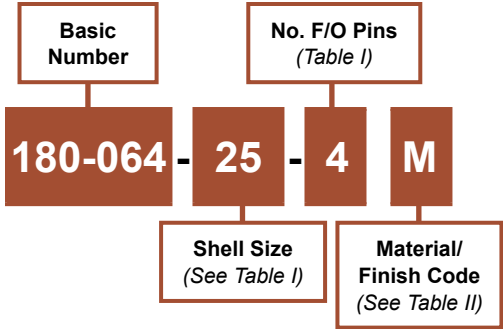


180-064
Micro-D Fiber Optic Plug Connector
 for Glenair Front Release Socket Terminus 181-011

Micro-D GFR fiber optic plug connector



How To Order



Material and Finish

Shell: See Table II
 Misc. Hardware: Stainless Steel/Passivate

Notes

Fiber Optic Socket Terminus to be ordered separately (see Glenair drawing 181-011).
 Backshell to be ordered separately (see Table I).
 For Mating Receptacle Connector, see Glenair drawing 180-063.

180-064
Micro-D Fiber Optic Plug Connector
for Glenair Front Release Socket Terminus 181-011

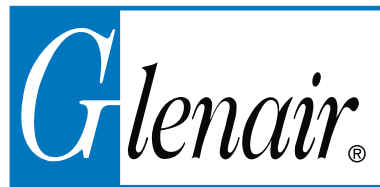


Table I: Shell Size

Shell Size	A ±.010 (0.25)	B ±.003 (0.08)	C ±.010 (0.25)	D ±.010 (0.25)	E ±.010 (0.25)	Max F.O. Pin	Recommended Backshell
9	.775 (19.7)	.565 (14.4)	.298 (7.6)	.380 (9.7)	.255 (6.5)	1	
15	.925 (23.5)	.715 (18.2)	.298 (7.6)	.530 (13.5)	.255 (6.5)	2	
21	1.075 (27.3)	.865 (22.0)	.298 (7.6)	.680 (17.3)	.255 (6.5)	3	
25	1.175 (29.8)	.965 (24.5)	.298 (7.6)	.654 (16.6)	.255 (6.5)	4	189-066
31	1.325 (33.7)	1.115 (28.3)	.298 (7.6)	.930 (23.6)	.255 (6.5)	5	
100	2.160 (54.9)	1.800 (45.7)	.384 (9.8)	1.425 (36.2)	.322 (8.2)	8	189-064

Table II: Material/Finish

Code	Material	Finish
C	Aluminum Alloy	Anodize, Black
M		Electroless Nickel
NF		Cadmium, Olive Drab, Over Electroless Nickel
ZN		Zinc-Nickel, Olive Drab, Over Electroless Nickel
Z1	Stainless Steel	Passivate