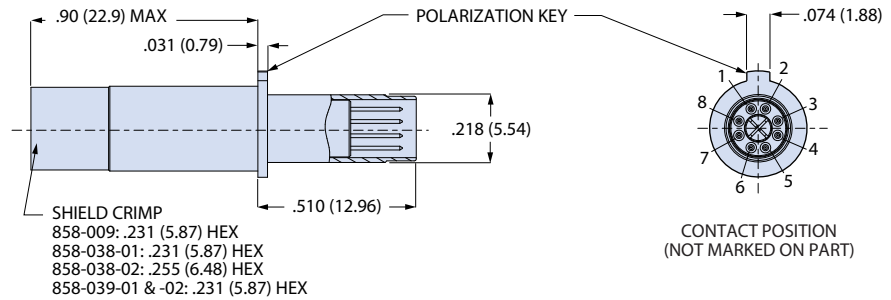


Dimensions: ARINC 600 and EPXB Contacts

El Ochito® Type I, Pin and Socket Contacts for ARINC 600

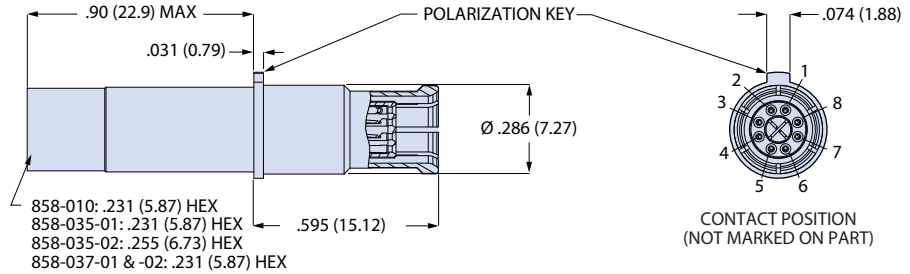
Pin Contact

Type I	
Color	Pin
White	858-009
Blue	858-038
Red	858-039



Socket Contact

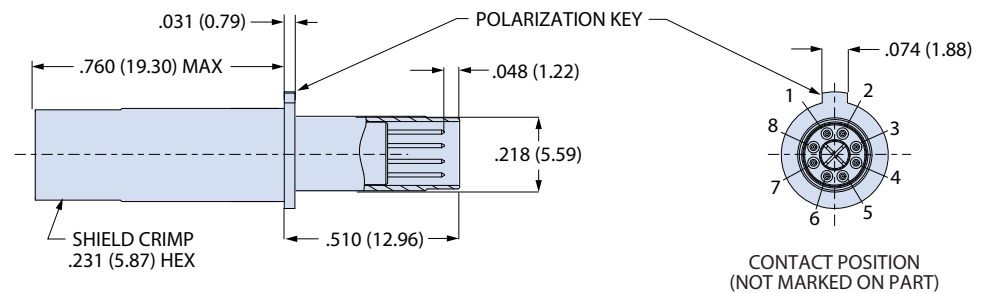
Type I	
Color	Socket
White	858-010
Blue	858-035
Red	858-037



El Ochito® Type I, Pin and Socket Contacts EPXB

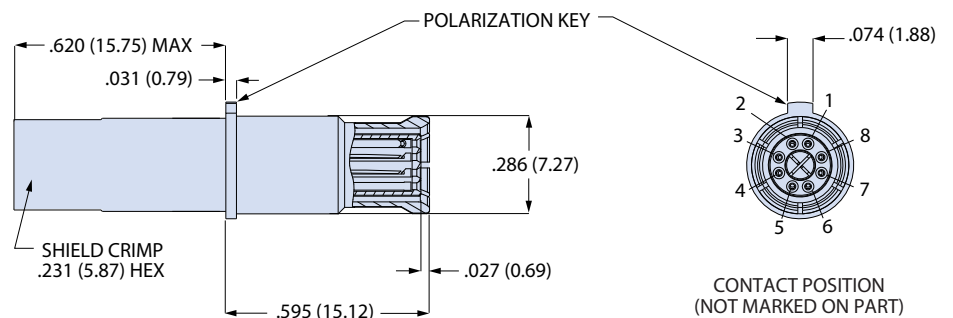
Pin Contact

Type I	
Color	Pin
White	858-014



Socket Contact

Type I	
Color	Socket
White	858-015



EL OCHITO® CONTACT DIMENSIONS