



SERIES 802

AquaMouse

Ultraminiature High-pressure

Originally developed for petroleum pipeline inspection equipment, Series 802 connectors are available in ten sizes from 1 to 130 contacts and equipped with Viton® O-rings to withstand exposure to corrosive chemicals and high temperature environments. These connectors feature high density crimp Mighty Mouse inserts, 316 stainless steel or marine bronze shells and a piston O-ring for hydrostatic sealing. Series 802 insulated wire, panel mount receptacles can be ordered as square flange, in-line or jam-nut versions. Choose integral shield termination platform or accessory thread for use with a variety of strain relief options. Crimp style gold-plated crimp contacts accept #12–30 wire. Connectors are backfilled with epoxy potting compound. Hermetic glass-sealed connectors come with solder cup contacts (non-removable) or PC tails. 100% tested to meet 1×10^{-7} cc/sec helium leakage. Mated pressure rating 3500 PSI.

- 1000 PSI open face pressure rated
- High-temperature and corrosive chemical-resistant Viton® or Nitrile O-rings
- Ultraminiature #23 contacts
- Size #20, #20HD, #16, #12, #8 signal, power, fiber optic and shielded contacts
- Discrete connectors and turnkey cable assemblies

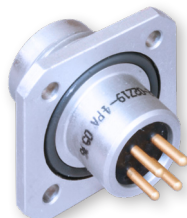
AQUAMOUSE CONNECTOR CONFIGURATIONS AND CLASSES



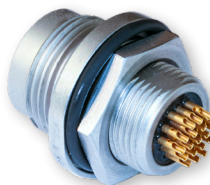
Series 802 Plugs



Series 802
Jam Nut Mount



Series 802
Square Flange Receptacle



Series 802
Hermetic



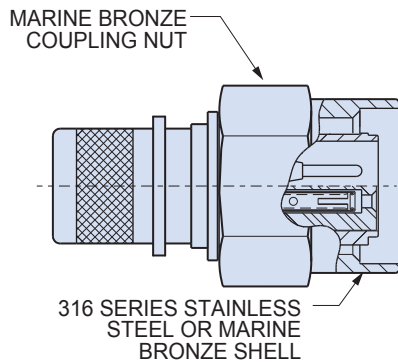
Series 802 Hermetic
Bulkhead Feed-Thru

SERIES 802 2400M / 3500 PSI Ultraminiature Subsea Connectors

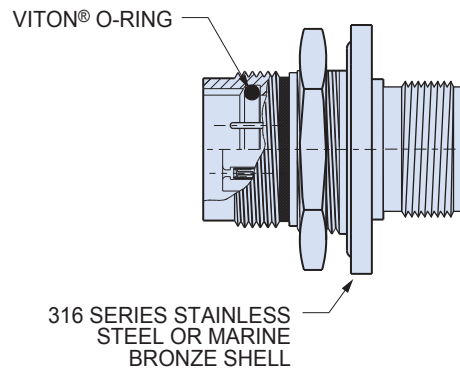


Series 802 AquaMouse™ Performance specifications and material and finish

Glenair Series 802 AquaMouse™ Delivers High-Pressure Sealing and Rugged Design in a Miniature Package



Series 802 Plug



Series 802 Receptacle

Stainless Steel or Marine Bronze

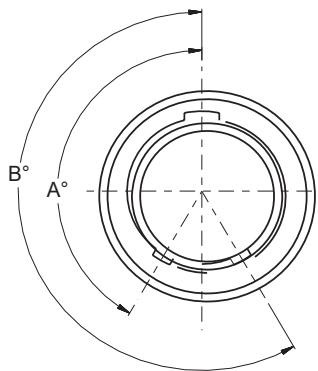
Available in ten sizes from 1 to 130 contacts, Series 802 connectors feature 316 stainless steel or marine bronze shells. Viton® o-rings resist high temperature and corrosive chemicals.

3500 psi

These connectors withstand up to 3500 PSI hydrostatic pressure in a mated condition. Hermetic versions withstand 1000 PSI open face pressure.

AQUAMOUSE SPECIFICATIONS AND PLUG KEY POSITIONS

Series 802 Plug Key Positions



Key Position	Key Rotation	
	A°	B°
Normal (A)	150°	210°
B	75°	210°
C	95°	230°
D	140°	275°
E	75°	275°
F	9°	210°

Performance Specifications

Current Rating	#23–5 A, #20–7.5 A, #16–13 A, #12–23 A
Dielectric Withstanding Voltage	#23–750 VAC, #20HD–1000VAC, #16 and #12–1800 VAC
Insulation Resistance	5000 megohms minimum
Operating Temperature	-65° C. to +175° C.
Hydrostatic Pressure	3500 PSI mated, 1000 PSI open face (hermetic)
Shock	300 g.
Vibration	37 g.
Durability	2000 mating cycles

Material and Finish

Shells, Jam Nuts	316 stainless steel or marine bronze
Coupling Nuts	Marine bronze, unplated
Contacts	Copper alloy, 50 µlnch gold plated. Socket hood: stainless steel, passivated. Hermetic pin contacts: Nickel-Iron alloy per ASTM-F-30, 50 µlnch gold plated.
Insulators	Liquid crystal polymer (LCP) , 30% glass-filled
Contact Retention Clip	Beryllium copper alloy
Interfacial Seal, O-rings	Viton Rubber
Interfacial seal, rear grommet	Fluorosilicone rubber, blue
O-rings	Viton®