



# Series 31 Shrink Boot Adapters

for MIL-DTL-38999 Series III and IV Connectors

## 319HS155 Shrink Boot Adapter, Braid Sock, Composite

**Self-Locking**



**Adapter Code H**

This accessory fits these connectors:  
MIL-DTL-38999 Series III and Series IV

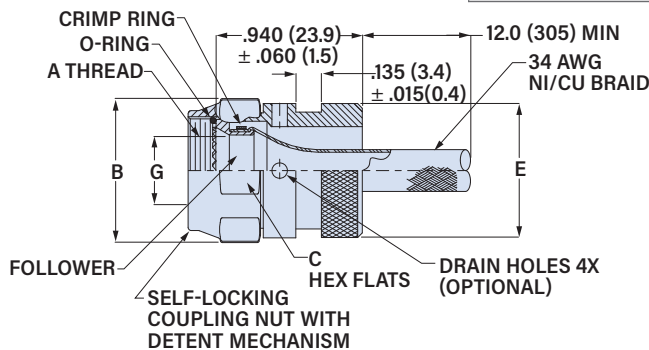
### MATERIAL AND FINISH

- Coupling nut, adapter, split ring: high performance thermoplastic
- EMI adapter: brass, electroless nickel plating
- Anti-decoupling spring: high performance thermoplastic
- O-ring: silicone
- Crimp ring: copper alloy, tin plated
- Braid:
  - 34 AWG nickel-coated copper (standard)
  - Code T: 34 AWG tin-coated copper,
  - Code A: AmberStrand® ultralightweight nickel-coated polymer
  - Code L: ArmorLite® lightweight microfilament nickel-coated 316L SST

**Low profile, corrosion-proof, shielded.** 319H\*155 shrink boot adapter with braid sock fits MIL-DTL-38999 Series III and IV connectors. Adapter has 12 inches of shield braid attached to nickel-plated brass follower. Anti-decoupling mechanism provides audible detented coupling and prevents backoff under high vibration. install optional lipped shrink boot for environmental protection. Supplied as adapter only or as kit with shrink boot. Glass-filled high performance thermoplastic. Tin-plated copper crimp ring, nickel-plated brass follower, silicone O-ring.

### PART NUMBER

|                            |   |   |           |           |           |           |           |           |           |           |
|----------------------------|---|---|-----------|-----------|-----------|-----------|-----------|-----------|-----------|-----------|
|                            | <b>319HS155</b>                             | <b>XB</b>                                   | <b>17</b> | <b>L-</b> | <b>D</b>  | <b>T</b>  | <b>R</b>  | <b>14</b> |           |           |
| <b>Base P/N</b>            | <b>319HS155</b>                             |   |           |           |           |           |           |           |           |           |
| <b>Finish</b>              | <b>XB</b> No Finish, Black Color            |   |           |           |           |           |           |           |           |           |
| <b>Shell Size</b>          | Shell Size                                  | 9   | 11        | 13        | 15        | 17        | 19        | 21        | 23        | 25        |
|                            | Size Code                                   | <b>09</b>                                   | <b>11</b> | <b>13</b> | <b>15</b> | <b>17</b> | <b>19</b> | <b>21</b> | <b>23</b> | <b>25</b> |
| <b>Braid Type</b>          | <i>Omit for 34 AWG nickel-coated copper</i> |   |           |           |           |           |           |           |           |           |
|                            | <b>T-</b>                                   | 34 AWG Tin/Copper                           |           |           |           |           |           |           |           |           |
|                            | <b>A-</b>                                   | AmberStrand® Nickel/Composite               |           |           |           |           |           |           |           |           |
|                            | <b>L-</b>                                   | ArmorLite® Nickel/SST                       |           |           |           |           |           |           |           |           |
| <b>Drain Holes</b>         | <i>Omit if not required</i>                 |   |           |           |           |           |           |           |           |           |
|                            | <b>D</b>                                    | Drain Holes                                 |           |           |           |           |           |           |           |           |
| <b>Shrink Boot</b>         | <i>Omit if not required</i>                 |   |           |           |           |           |           |           |           |           |
|                            | <b>T</b>                                    | Shrink Boot included                        |           |           |           |           |           |           |           |           |
| <b>Split Ring and Band</b> | <i>Omit if not required</i>                 |   |           |           |           |           |           |           |           |           |
|                            | <b>R</b>                                    | Split Ring and Band included With Backshell |           |           |           |           |           |           |           |           |
| <b>Braid Length</b>        | <i>Omit for standard 12 inch length</i>     |   |           |           |           |           |           |           |           |           |
|                            | <b>14</b>                                   | Braid Length in inches, 4 inch minimum      |           |           |           |           |           |           |           |           |

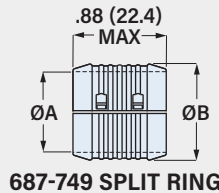


| Shell Size | A Thread   | Ø B Max   | C Hex Flats | E Max      | Ø G ±.015 (0.4) |
|------------|------------|-----------|-------------|------------|-----------------|
|            |            | in mm     | in mm       | in mm      | in mm           |
| 9 (A)      | M12X1.0-6H | .86 21.8  | .750 19.1   | .533 13.5  | .265 6.7        |
| 11 (B)     | M15X1.0-6H | .98 24.9  | .875 22.2   | .605 15.4  | .370 9.4        |
| 13 (C)     | M18X1.0-6H | 1.16 29.5 | 1.000 25.4  | .774 19.7  | .506 12.9       |
| 15 (D)     | M22X1.0-6H | 1.28 32.5 | 1.125 28.6  | .838 21.3  | .580 14.7       |
| 17 (E)     | M25X1.0-6H | 1.41 35.8 | 1.250 31.8  | .963 24.5  | .705 17.9       |
| 19 (F)     | M28X1.0-6H | 1.52 38.6 | 1.375 34.9  | 1.042 26.5 | .784 19.9       |
| 21 (G)     | M31X1.0-6H | 1.64 41.7 | 1.500 38.1  | 1.217 30.9 | .907 23.0       |
| 23 (H)     | M34X1.0-6H | 1.77 45.0 | 1.625 41.3  | 1.355 34.4 | 1.034 26.3      |
| 25 (J)     | M37X1.0-6H | 1.89 48.0 | 1.750 44.5  | 1.443 36.7 | 1.140 28.9      |

### SUPPORT RING AND PRE-COILED BAND (R OPTION)



Optional split support ring provides a reliable, low resistance method of splicing braid. Snap split ring over wire bundle, then overlap adapter braid and cable braid. install band around split ring and braid using Band-Master ATS standard banding tool.



| Shell Size | Support Ring Part Number | ±.030 (0.8) in mm | ±.030 (0.8) in mm |
|------------|--------------------------|-------------------|-------------------|
| 08         | <b>687-749XB04</b>       | .25 6.4           | .40 10.2          |
| 10         | <b>687-749XB06</b>       | .38 9.7           | .53 13.5          |
| 12         | <b>687-749XB08</b>       | .50 12.7          | .65 16.5          |
| 14         | <b>687-749XB10</b>       | .63 16.0          | .78 19.8          |
| 16         | <b>687-749XB12</b>       | .75 19.1          | .90 22.9          |
| 18         | <b>687-749XB14</b>       | .88 22.4          | 1.03 26.2         |
| 20         | <b>687-749XB16</b>       | 1.00 25.4         | 1.15 29.2         |
| 22         | <b>687-749XB18</b>       | 1.13 28.7         | 1.28 32.5         |
| 24         | <b>687-749XB20</b>       | 1.25 31.8         | 1.40 35.6         |
| Shell Size | Band Part Number         | Tool Part Number  |                   |
| 8-24       | <b>601-041</b>           | <b>601-100</b>    |                   |