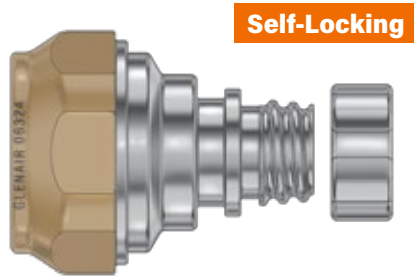


Series 31 Shrink Boot Adapters

for MIL-DTL-38999 Series I and II Connectors

311F*019 Shrink Boot Adapter, Braid Trap, Composite



Self-Locking

Adapter Code F

This accessory fits these connectors:
MIL-DTL-38999 Series I and Series II

BRAID TRAP

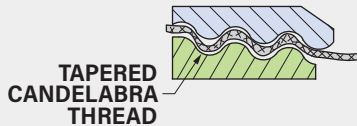


TABLE 1: ENTRY SIZE

Entry Size	Shell Sizes	K Entry Dia.		L	
		±.030 (0.8) in mm	±.06 (1.5) in mm	in	mm
02	08-24	.250	6.4	.52	13.2
03	10-24	.375	9.5	.64	16.3
04	12-24	.500	12.7	.77	19.6
05	14-24	.625	15.9	.92	23.4
06	16-24	.750	19.1	1.02	25.9
07	18-24	.810	20.6	1.14	29.0
08	20-24	.940	23.9	1.27	32.3
09	22-24	1.060	26.9	1.43	36.3
10	24	1.190	30.2	1.52	38.6

SHRINK BOOT

Optional heatshrink boot provides cable strain relief and environmental protection. Type 1 high-performance semi-rigid elastomer resists fuels and oils and withstands temperature extremes.

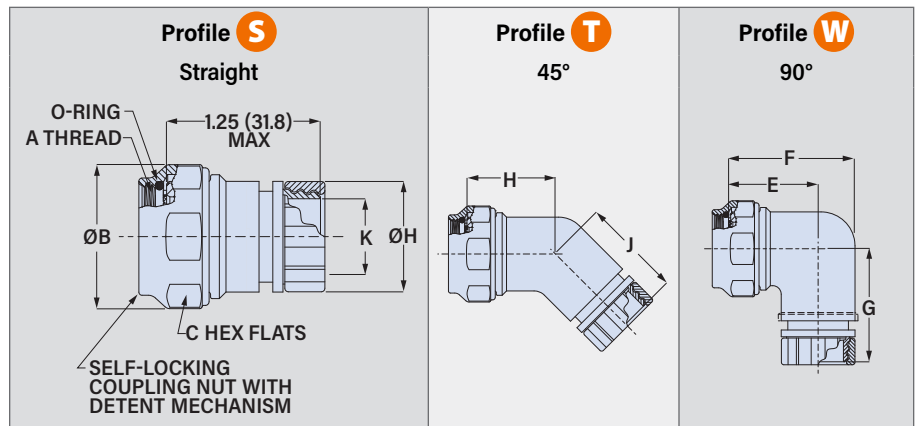


Entry Size	Shrink Boot P/N
02	770-003S112
03	770-003S103
04	770-003S103
05	770-003S104
06	770-003S104
07	770-003S105
08	770-003S106
09	770-003S107
10	770-003S107

Corrosion-proof composite material. 311F*019 composite shrink boot adapter fits MIL-DTL-38999 Series I and II connectors. Adapter has candelabra-style tapered thread to captivate shield braid under nut. Install optional lipped shrink boot over nut for environmental protection. Anti-decoupling mechanism provides audible detented coupling and prevents backoff under high vibration. Supplied as adapter only or as kit with shrink boot. Glass-filled high performance thermoplastic, silicone O-ring.

PART NUMBER

		311FS019	XM	20	06	T				
Base P/N	Base Part No.	311FS019	XM	20	06	T				
	Profile	S								
		311FT019	T							
Finish	Electroless Nickel		XM							
	Nickel-PTFE		XMT							
	Olive Drab Cadmium		XW							
Shell Size	Black Zinc-Nickel		XZR							
	Coupling nut is natural amber color, unplated									
Shell Size	Shell Size									
	38999 Series I	9	11	13	15	17	19	21	23	25
Entry Size	38999 Series II	8	10	12	14	16	18	20	22	24
	Size Code	08	10	12	14	16	18	20	22	24
Shrink Boot	Omit if not required									
	T Shrink Boot included									



Shell Size	A Thread	ØB Max	C Hex Flats	ØE ±.06(1.5)	F ±.09(2.3)	G ±.09(2.3)	H ±.06(1.5)	J ±.09(2.3)	Max Entry Size							
8/9	UNEF-28	.86	21.8	.750	19.1	.69	17.5	.88	22.4	1.19	30.2	.72	18.3	1.00	25.4	02
10/11	0.5625-24	.98	24.9	.875	22.2	.75	19.1	1.00	25.4	1.25	31.8	.75	19.1	1.06	26.9	03
12/13	0.6875-24	1.16	29.5	1.000	25.4	.81	20.6	1.13	28.7	1.31	33.3	.75	19.1	1.13	28.7	04
14/15	0.8125-20	1.28	32.5	1.125	28.6	.88	22.4	1.31	33.3	1.38	35.1	.76	19.3	1.16	29.5	05
16/17	0.9375-20	1.41	35.8	1.250	31.8	.94	23.9	1.38	35.1	1.44	36.6	.78	19.8	1.18	30.0	06
18/19	1.0625-18	1.52	38.6	1.375	34.9	.97	24.6	1.44	36.6	1.47	37.3	.79	20.1	1.19	30.2	07
20/21	1.1875-18	1.64	41.7	1.500	38.1	1.06	26.9	1.63	41.4	1.56	39.6	.82	20.8	1.22	31.0	08
22/23	1.3125-18	1.77	45.0	1.625	41.3	1.13	28.7	1.75	44.5	1.63	41.4	.86	21.8	1.26	32.0	09
24/25	1.4375-18	1.89	48.0	1.750	44.5	1.19	30.2	1.88	47.8	1.69	42.9	.89	22.6	1.29	32.8	10