

Series 31 Shrink Boot Adapters

for MIL-DTL-38999 Series I and II Connectors

310FS055 Shrink Boot Adapter, Pre-installed Boot



Self-Locking

- Pre-installed boot for 50% faster boot installation
- Environmental
- Adhesive lined
- 3 boot material options
- Aluminum or SST adapter

Adapter Code **F**

This accessory fits these connectors:
MIL-DTL-38999 Series I and Series II

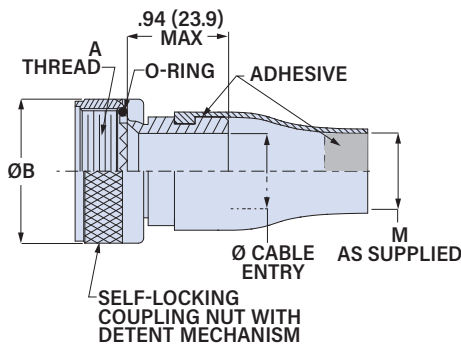
Fast installation, environmental, self-locking. 310FS055 "piggyback" shrink boot adapter fits MIL-DTL-38999 Series I and II connectors. Use with jacketed, unshielded cable. Piggyback boots reduce boot installation time by 50% and eliminate misalignment problems. Anti-decoupling mechanism provides audible detented coupling and prevents backoff under high vibration. Three boot materials: Type 1 high performance elastomer, Type 2 zero halogen or Type 3 U.S. Army approved flexible polyolefin. Adapter is aluminum or stainless steel, available in standard mil spec finishes. Silicone O-ring, polyamide adhesive.

PART NUMBER

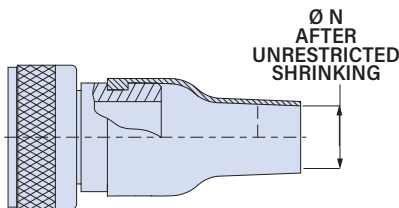
310FS055 NF 16 -2

Base P/N	310FS055									
Material/Finish	M	Alum/ Electroless Nickel								
	MT	Alum/ Nickel-PTFE								
	NF	Alum/ Olive Drab Cadmium								
	ZR	Alum/ Black Zinc-Nickel								
	TZ	Alum/ Tin-Zinc								
	ZI	SST/ Passivated								
Shell Size	Shell Size									
	38999 Series I	9	11	13	15	17	19	21	23	25
	38999 Series II	8	10	12	14	16	18	20	22	24
	Size Code	08	10	12	14	16	18	20	22	24
Boot Material	-1	Type 1 High Performance Semi-Rigid Elastomer								
	-2	Type 2 Zero Halogen Semi-Rigid Polyolefin								
	-3	Type 3 Flexible Polyolefin								

As Supplied



After Shrinking



SHRINK BOOT MATERIAL SELECTION GUIDE

	Type 1 High Performance	Type 2 Zero Halogen	Type 3 General Purpose
Material	Semi-Rigid Elastomer	Semi-Rigid Polyolefin	Flexible Polyolefin
Resistance to Fuels, Oils	Excellent	Very Good	Good
Adhesive Type	W1 Hot Melt	W1 Hot Melt	W2 Hot Melt
Continuous Operating Temp.	-55 to +125 °C	-55 to +125 °C	-55 to +70 °C
Low Smoke/Zero Halogen	No	Yes	No
SAE Material Type	AS5258 Type H	AS5258 Type G	AS81765/1 Type 1

Shell Size	A Thread UNEF-2B	Ø B Max	Ø M Min	Ø N Max	Min Cable Entry
8/9	0.4375-28	.86	21.8	.250	6.4
10/11	0.5625-24	.97	24.6	.355	9.0
12/13	0.6875-24	1.11	28.2	.491	12.5
14/15	0.8125-20	1.21	30.7	.565	14.4
16/17	0.9375-20	1.35	34.3	.690	17.5
18/19	1.0625-18	1.46	37.1	.769	19.5
20/21	1.1875-18	1.60	40.6	.894	22.7
22/23	1.3125-18	1.70	43.2	1.019	25.9
24/25	1.4375-18	1.84	46.7	1.134	28.8