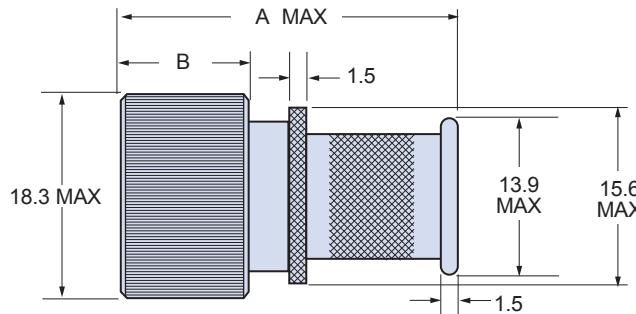


## Banding Adapter for Shielding and Overmolding



Black zinc plated aluminum alloy adapter fits all CB plugs and receptacles with M14 x 1 threads. Attach adapter to connector and fill with potting compound for wire protection and waterproofing. Attach shield and cable strength members to adapter with Glenair tool 600-061 using 3mm stainless steel **BAND-IT**® straps. Maximum weight 7 grams.

| Description                          | Part Number       | A    | B    |
|--------------------------------------|-------------------|------|------|
| Banding Adapter (Plug)               | <b>P-CBBSBI-T</b> | 30.2 | 11.9 |
| Banding Adapter (In-Line Receptacle) |                   |      |      |
| Banding Adapter (Jam Nut Receptacle) | <b>R-CBBSBI-T</b> | 27.2 | 8.9  |



## BAND-IT® Shield Termination System

Fast, cost-effective shield termination. Attach cable shields to Series 80 connectors or backshells with **BAND-IT**® stainless steel straps. The **BAND-IT**® system offers fast termination and the flexibility to handle a wide range of parts with just one band size. Approved for aerospace and defense, these straps have successfully passed rigorous shock, vibration and environmental testing.



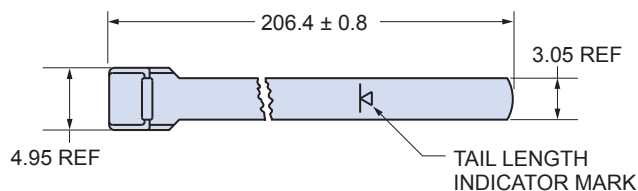
**1** Micro Band Installation Tool. Use with 3.05 mm wide bands. 172 mm length, 0.6 Kg.

**2** Micro Band, 3.05 mm wide. Available flat or pre-coiled. Stainless steel.

| Figure | Description                  | Part Number    |
|--------|------------------------------|----------------|
| 1      | Micro Band Installation Tool | <b>600-061</b> |

| Figure | Length in.   | Part Number                     | Accommodates Maximum Diameter |
|--------|--------------|---------------------------------|-------------------------------|
| 2      | 8.125 206.38 | <b>600-057</b> <b>600-057-1</b> | 22.3                          |

Contact Glenair or visit our website ([glenair.com](http://glenair.com)) to view our complete line of **BAND-IT**® products, including pneumatic tools for high volume production and calibration kits.



All dimensions in millimeters (mm). Information subject to change without notice.  
CAGE Code 06324