

MIL-PRF-24758A

SHIPBOARD INTERCONNECT AND CONDUIT SOLUTIONS

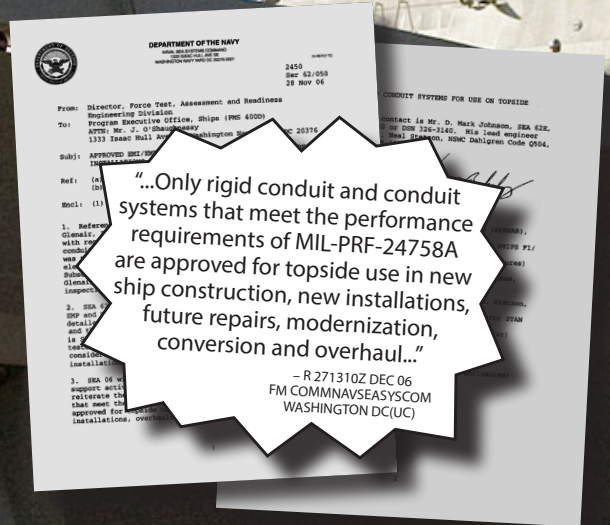
DLA / US NAVY APPROVED FOR TOPSIDE APPLICATIONS

NOVEMBER 2013

Glenair MIL-PRF-24758A*

"BlueJacket" Topside Conduit

Do It Once, Do It Right!



DEPARTMENT OF THE NAVY
2450
SER: 62-050
28 Nov 06

From: Director, Force Test, Assessment, and Readiness
Engineering Division
Program Executive Office, Ships (PMS 4500)
Attn: Mr. J. O'Shaughnessy
1333 Isaac Hall, Washington DC 20374

Subject: APPROVED EMI/RFI
PROTECTION SYSTEMS FOR USE ON TOPSIDE

Ref: (a)
(b)
(c)

1. Reference is made to the request for approval of MIL-PRF-24758A (SH) Weatherproof EMI Shielded Flexible Conduit System for use on topside installations.

2. SSA 6200 and detail are to review the request and report to the cognate command.

3. SSA 6200 is to support and provide the data that meet the requirements for approval of installations, overhauls, and conversions.

Contract is Mr. D. Mark Johnson, SSA 6200, and COM 326-3440. His lead engineer is Paul Edwards, SSCC Dullgren Code 0504.

- R 271310Z DEC 06
FM COMNAVSEASYSYSCOM
WASHINGTON DC(UC)

"...Only rigid conduit and conduit systems that meet the performance requirements of MIL-PRF-24758A are approved for topside use in new ship construction, new installations, future repairs, modernization, conversion and overhaul..."

BLUEJACKET

A Seaman in the United States Navy, and the brand name of the Glenair MIL-24758A(SH) Weatherproof EMI Shielded Flexible Conduit System. Although haze gray in color, the product is named "BlueJacket" in honor of the dedicated Navy personnel who work with these products under arduous topside conditions.

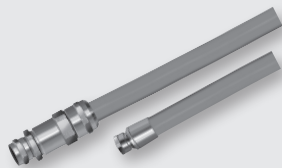


*Glenair Still Manufactures and Stocks Legacy MIL-C-24758 Conduit Systems and Fittings. See www.glenair.com.

**“BlueJacket” Shipboard Connector and
MIL-PRF-24758A Conduit Solutions
Table of Contents**



MIL-PRF
24758A



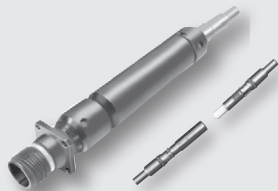
MIL-PRF-24758A EMI/EMP Conduit Systems

A



MIL-DTL-28840 Shipboard Electrical Connectors

B



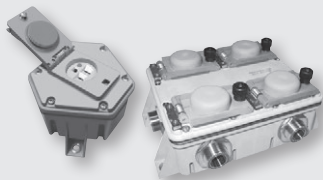
MIL-PRF-28876 Type Fiber Optic Shipboard Connectors

C



GA-CSGA Cable Shield Grounding Assemblies

D



Composite Thermoplastic EMI/EMP Junction Boxes

E



Shipboard Wire and Cable Feedthroughs

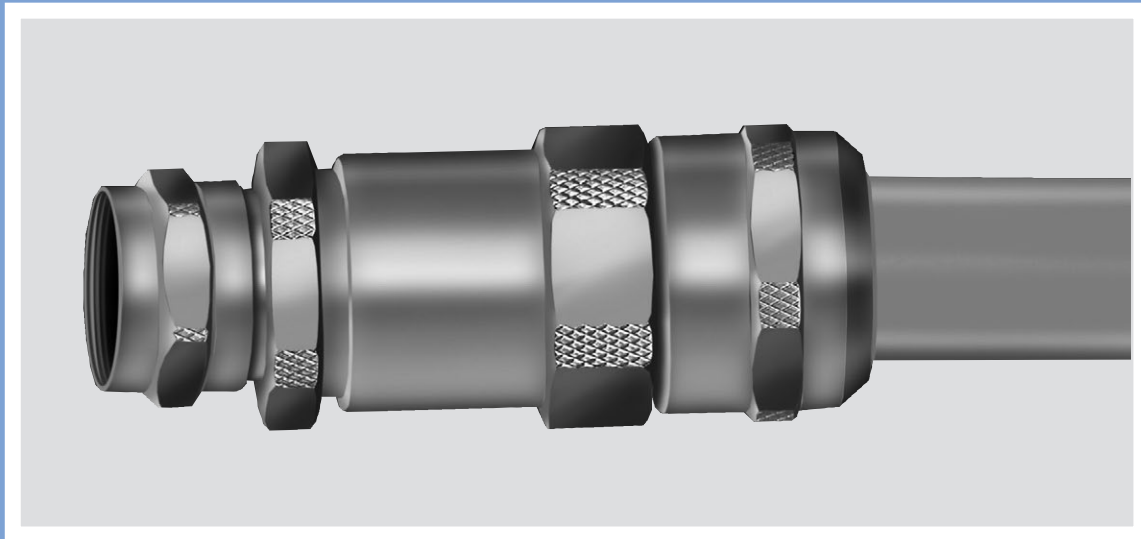
F



Appendix:
S9407-AB-HBK-010 Shipboard EMI Shielding Practices Handbook
Glenair Qualified GR 2000 and RP2000 Series Fittings
MasterSeal Self-Vulcanizing Tape
Selected Materials and Finishes
Accessory Interface Data

G

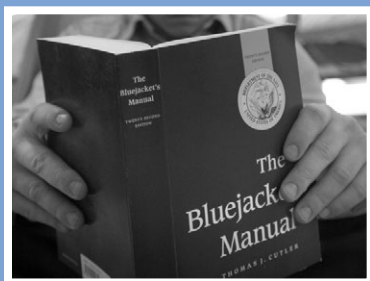
Haze Gray and Underway!



Introducing the Glenair MIL-PRF-24758A “BlueJacket” Conduit System

Most topside shipboard conduit users have simple expectations, such as conduit fittings that don't leak or corrode and will last for the full lifetime of a ship. They also want jacket materials that can withstand high heat, extreme UV radiation, demanding weather conditions and caustic chemicals and fluids.

Glenair's U.S. Navy qualified MIL-PRF-24758A conduit system delivers on these expectations—and a whole lot more. Our shielded brass conduit meets all EMI shielding and surface transfer impedance requirements. Our jacket material, which we've named “BlueJacket” in honor of the dedicated Navy personnel



who work with these products in arduous conditions on a daily basis, is a special formula that exceeds all the specifications of MIL-PRF-24758A. These demanding requirements include UV weathering, temperature tolerance, low smoke and toxicity index, flame resistance, and halogen free (IEC754-1) ratings.

And that's not all. Our unique fitting design provides the easiest assembly and the most reliable performance ever in topside conduit systems—no more loosening, no more leaks, no more corrosion, and no more costly replacement of relatively new components that failed to withstand the harsh environmental challenges of shipboard use.

So whether your requirements call for factory terminated M24758A assemblies with lightweight soldered fittings, or field terminated bulk conduit, adapters and fittings, Glenair *BlueJacket* is “Haze Gray and Underway” and more than ready to exceed all your expectations.



1211 Air Way

Glendale, California 91201-2497

Telephone: 818-247-6000 · Facsimilie: 818-500-9912 · EMail: sales@glenair.com

www.glenair.com

Defense Logistic Agency
First Article Test Report
Qualification Approval Letter



MIL-PRF
24758A

A

MAY-16-2006 13:49

DSCR RICHMOND VA

P. 01



DEFENSE LOGISTICS AGENCY
DEFENSE SUPPLY CENTER RICHMOND
8000 JEFFERSON DAVIS HIGHWAY
RICHMOND, VIRGINIA 23297-5100

IN REPLY
REFER TO

DSCR-FAEBA

April 21, 2006

Glenair, Inc.
1211 Air Way
Glendale, Ca. 91201

Gentlemen:

Reference SP0406-06-M-D039, NSN 5975-01-525-3170, First Article Test Report.

The First Article Test Report has been reviewed/evaluated and determined to be acceptable. You are authorized to commence with production of referenced order.

If you need further assistance in this matter, please contact Irene Baskerville/DSCR-FAEBA/ 804-279-6311 or FAX 804-279-3377.

Sincerely,

IRENE P. BASKERVILLE
Acquisition Specialist
Electrical Components IST

cc:
DCMA Los Angeles



DEPARTMENT OF THE NAVY

NAVAL SEA SYSTEMS COMMAND
1333 ISAAC HULL AVE SE
WASHINGTON NAVY YARD DC 20376-0001

IN REPLY TO

2450
Ser 62/050
28 Nov 06

From: Director, Force Test, Assessment and Readiness
Engineering Division

To: Program Executive Office, Ships (PMS 400D)
ATTN: Mr. J. O'Shaughnessy
1333 Isaac Hull Ave SE, Washington Navy Yard, DC 20376

Subj: APPROVED EMI/EMP CONDUIT SYSTEMS FOR USE ON TOPSIDE
INSTALLATIONS

Ref: (a) SEA 62 Memorandum 2450 Ser 06/021 of 29 Jan 04
(b) SEA 62 Letter 2450 Ser 06/055 of 18 Nov 05

Encl: (1) Consolidated Glenair MIL-PRF-24758A Test Report
QTR M24758 of 25 Apr 06
(2) Lothar O. Hoefft, PHD, Report, "Foranne MIL-PRF-24758A
Conduit Assembly Surface Transfer Impedance Test"
of 5 Jul 06 and as revised, 27 Aug 06

1. Reference (a) provided SEA 62E technical review of the Glenair, Inc "First System" conduit testing and documentation with regard to its equivalency to the Entraco "Sea-FROST™" conduit and Termination System. SEA 62E's technical assessment was that the Glenair "First System" product was mechanically and electrically equivalent to the Entraco "Sea-FROST™" system. Subsequently, in response to the issuance of MIL-PRF-24758A(SH), Glenair developed a MIL-PRF-24758A product line. Test and inspection results were provided in enclosure (1).

2. Reference (b) provided the SEA 62E technical review of the Foranne Manufacturing, Inc conduit and components test reports as compared to the MIL-PRF-24758A requirements and recommended that additional testing be conducted to meet the performance requirements of MIL-PRF-24758A. The results of this additional testing were provided in enclosure (2).

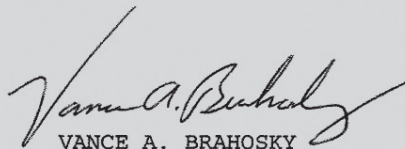
3. SEA 62E, the technical warrant holder for EMI Control, EMC, EMP and RADHAZ for ships and submarines, has completed a detailed technical review of enclosures (1) and (2). Based on this review and the previous review noted in reference (b), it is SEA 62E's assessment that the Foranne Inc "Shield Right" and the Glenair MIL-PRF-24758A products tested meet the performance requirements of MIL-PRF-24758A and are considered acceptable to

Subj: APPROVED EMI/EMP CONDUIT SYSTEMS FOR USE ON TOPSIDE
INSTALLATIONS

use for EMI/EMP control on topside installations onboard US Navy ships.

3. SEA 06 will provide this information to the Fleet and its support activities via Naval message. This message will also reiterate the policy that only rigid conduit and conduit systems that meet the performance requirements of MIL-PRF-24758A are approved for topside use in new ship construction, new installations, overhauls and modernization.

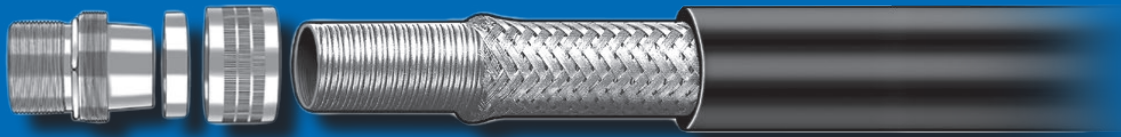
4. The SEA 06 point of contact is Mr. D. Mark Johnson, SEA 62E, Commercial (202) 781-3140 or DSN 326-3140. His lead engineer for MIL-PRF-24758A is Mr. Neal Stetson, NSWC Dahlgren Code Q504, (540) 653-3470 or DSN 249-3470.



VANCE A. BRAHOSKY

Copy to:
Commander, Space and Naval Warfare Systems Command (SPAWAR),
San Diego, CA (w/o Enclosures)
PEO SHIPS, Washington, DC (PMS 400D/J, Odum, R Popp, SHIPS F1/
S. Brown, SHIPS FRC/E. Littig) (w/o Enclosures)
PEO IWS, Washington, DC (IWS1C/LT M. Shine) (w/o Enclosures)
PEO CARRIERS, Washington, DC (w/o Enclosures)
PEO LMW, Washington, DC (CHENG/P. Hagan, PMS 495/G. Humes,
CAPT J. Spitz, K. Haas) (w/o Enclosures)
PEO C4I and SPACE, San Diego, CA (w/o Enclosures)
Commander, NSWC Dahlgren, Dahlgren, VA (Code Q504/N. Stetson,
Code Q54/G. Winters)
Commander, NSWC Dahlgren, Dahlgren, VA (R. Zanella (for STAN
Data Base)) (w/o Enclosures)
Northrop Grumman Ship Systems, Washington DC (N. Buffler)
(w/o Enclosures)
Glenair Inc, Glendale CA (D. Holden) (w/o Enclosures)
Foranne Manufacturing Inc, Ivyland PA (M. Magness)
(w/o Enclosures)
GDIT, Washington DC (M. Craig, A. Church) (w/o Enclosures)
GDIT, Dahlgren VA (B. Ayers) (w/o Enclosures)

What Ever Happened to the MIL-C-24758 EMI/EMP Conduit System?



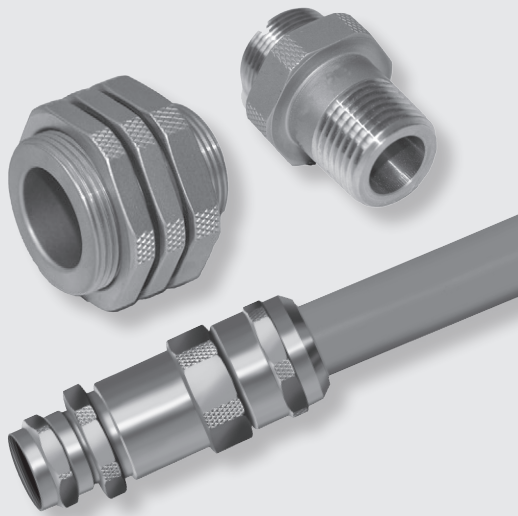
Answer: This venerable metal-core conduit wire routing and protection system has been *superseded* by the new MIL-PRF-24758A(SH) standard. For all new applications, the U.S. Navy requires engineers to specify only MIL-PRF-24758A(SH) conduit, fittings and adapters. But for repair of existing systems, Glenair still manufactures and stocks the complete line of MIL-C-24758 conduit products. For complete order information on any of the parts listed below, please visit our website: www.glenair.com.

- M24758/1 EMI/EMP Shielding Conduit
- M24758/2 Straight Conduit Fitting
- M24758/3 45° Conduit Fitting
- M24758/4 90° Conduit Fitting
- M24758/5 Conduit-to-Panel Fitting
- M24758/6 Conduit-to-Threaded Pipe Fittings
- M24758/7 Conduit-to-Stuffing Tube Fitting
- M24758/8 Conduit-to-Conduit Fitting
- M24758/9 Adapter for MIL-DTL-5015 Series 3100 Connectors
- M24758/10 Adapter for Triaxial Connectors
- M24758/11 Adapter for Coaxial Connectors
- M24758/12 Adapter for MIL-C-26482 Series I Connectors
- M24758/13 Adapter for Connectors with MS3155 Interface
- M24758/14 Adapter for MIL-C-28840 (EC) Backshells
- M24758/15 Adapter for MIL-C-24235 Stuffing Tubes
- M24758/16 Adapter for Miscellaneous Fittings
- M24758/17 Adapter for Tapered Pipe Thread
- M24758/18 Adapter for Straight Pipe Thread
- M24758/19 Adapter for Panel Termination

Glenair *BlueJacket* Product Line Overview
MIL-PRF-24758A(SH) Qualified
Flexible Waterproof Shielded Shipboard Conduit System



MIL-PRF
24758A



Product Features

- Qualified to MIL-PRF-24758A(SH)
- Brass Metal-Core Conduit with EMI Shielding and Durable Glenair *“BlueJacket”* Covering
- Innovative Stainless Steel Fittings with Advanced Environmental Sealing, EMI Shield Termination and Rotatable Coupling Nut
- Available Adapters for all Shipboard Interfaces
- Fully Compatible with Legacy MIL-C-24758 Conduit Systems and Adapters (Still Available from Glenair)
- Corrosion-Resistant 316L Stainless Steel Eliminates Maintenance Cycles and Reduces Assembly Time

A

“Only Rigid Conduit and Conduit Systems that Meet the Performance Requirements of MIL-PRF-24758A are Approved for Topside Use...”

-U.S. DEPARTMENT OF THE NAVY

When we set out to design an innovative conduit system to meet the requirements of the new MIL-PRF-24758A specification, we had a simple goal in mind: create a conduit system which was easy to install, easy to maintain and tough enough to perform in even the harshest ocean environments. The results couldn't be better. Our new qualified MIL-PRF-24758A Conduit system with its *“BlueJacket”* weatherproof jacketing exceeds the performance specifications for improved waterproof sealing, improved corrosion protection, and improved electromagnetic shielding. In fact, we believe no other conduit system can match the quality and performance of our new *“Bluejacket”* system. The U.S. Navy has cast its vote: Glenair's MIL-PRF-24758A conduit systems are the first products approved by the Navy under the new specification for topside use in new ship construction, new installations, future repairs, overhauls and modernization. The reference message is COMNAVSEASYS COM 2713107 December 06.

Glenair's *“BlueJacket”* weatherproof conduit is halogen free, flame resistant, and functional to 260°C. *“BlueJacket”* far surpasses the accelerated solar weathering standards under IEC 60068-2-5. Glenair's *“BlueJacket”* tested to 56 accelerated days, equivalent to 53 years of solar exposure. Our new fittings and adapters are equally impressive. The nickel plated 316L stainless steel components are equipped with rotatable couplings to simplify field installation. The design also offers improved environmental sealing and improved metal-to-metal termination of EMI shielding.

A

This selection guide is designed to assist you with the selection of components and planning for installation of MIL-PRF-24758A(SH) conduit and fittings. Per current U.S. Navy policy, only MIL-PRF-24758A qualified systems are now approved for topside use. To cross over part numbers from other manufacturers or the original MIL-C-24758 specification, please contact the factory at (818) 247-6000.

Each point-to-point conduit assembly will require a length of bulk conduit, 2 conduit fittings (M24758-2, -3, or -4) and 2 adapters (M24758-9 through M24758-25). You have three basic options for putting all these parts together:

- (1) Specify user installable components (bulk lengths of conduit, fittings and adapters designed for field assembly),
- (2) Select made-to-order conduit assemblies built at the factory according to your exact size, length and routing requirements, or
- (3) Use a combination approach in which one end of the conduit is terminated at the

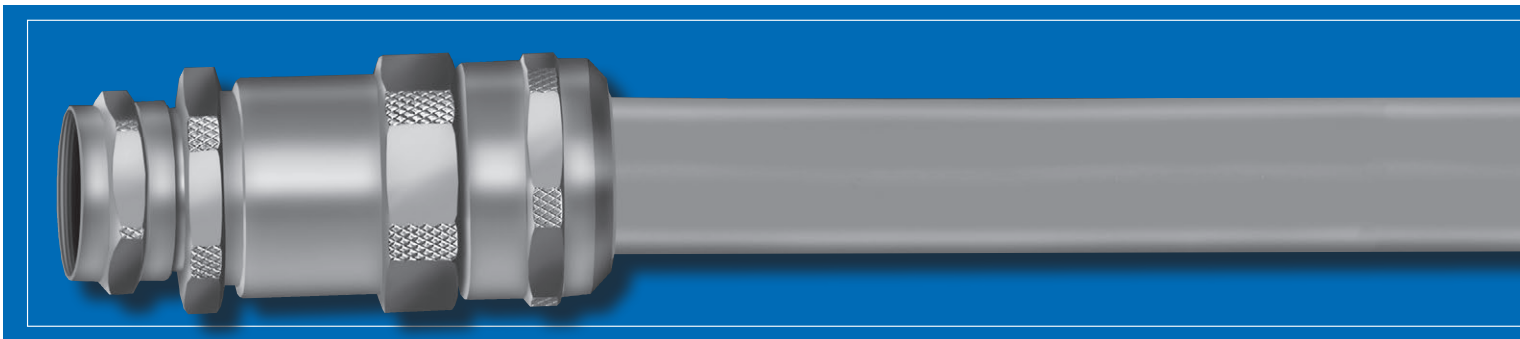
factory with lightweight solder fittings, while the other end is terminated in the field with user installable fittings and adapters.

Step 1: Select Correct Conduit Size

Conduit size is identified by its inside diameter (ID). The ID is referenced with a size code. The range of available sizes includes .25 inch (M24758-A) through 3.0 inch (M24758-L).

Conduit is normally filled at up to 90% of its inside diameter. Verify the cable diameter used before selecting the conduit diameter. Low smoke shipboard cable (MIL-C-24643) may have a thicker jacket material than regular (MIL-C-915 and MIL-C-24640) cables and require larger diameter conduit and fittings, so be sure to take this into account.

The shipboard interface, i.e. the diameter of the stuffing tube on the ship the conduit assembly will attach to, is the other key data point for conduit size selection. In a well-designed system, the diameter of the conduit, fitting, adapter and stuffing tube all need to be the same. For example, a size code "D" (1 inch)



Stainless steel M24758 fittings for field termination and assembly are supplied in straight, 45° and 90° designs. Glenair MIL-PRF-24758A qualified fittings feature unique metal-to-metal shield termination, robust environmental sealing, and a rotatable coupling for easy attachment of M24758 series adapters. Both the environmental sealing and EMI shielding functions incorporate design ideas adapted from military standard backshells, including environmental o-rings, cable-sealing glands and cone-and-ring style shield terminations.

Glenair MIL-PRF-24758A Conduit Component Selection Guide



MIL-PRF
24758A

A

conduit would be selected when the stuffing tube on the ship is also 1 inch in diameter.

NOTE 1: The color of Mil-PRF-24758A conduit is standard US Navy haze gray in accordance with Fed Std 595B #26270. If other colors are desired, contact the factory at (818) 247-6000.

NOTE 2: Conduit internal dimensions 3/8", 5/8", and 3" have been omitted from the MIL-PRF-24758A specification. Products using these dimensions, built to the same standards, are still available from Glenair.

NOTE 3: The operating temperature variant of the M24758A jacket material used on the conduit is -70°C to + 200°C. For higher temperature materials, contact the factory.

Step 2: Select Conduit Fittings

The function of the M24758 conduit fitting is to terminate M24758 flexible shielding conduit and to provide a standard thread for attaching M24758-9 through M24758-24 adapters. Fittings are supplied in straight, 45° and 90° configurations to facilitate the routing of the conduit into and out of kick-pipes and other interfaces to the ship. Selection is a simple

matter of matching the size code in the part number with the size code of the selected conduit. Your selection of a straight, 45° or 90° angled part will depend on the routing requirements of your system.

NOTE 1: All conduit fittings and adapters feature a combination of hex wrench flats and knurls to minimize the need for special installation tools.

NOTE 2: Glenair recommends the use of torque wrenches to ensure conduit fittings and adapters are mated with the optimal amount of torque. Torque wrenches required for installation are available from Glenair. Please see page 55 for tool order information.

All conduit fittings and adapters are matte finished, nickel plated, 316L stainless steel. If other materials are desired, contact the factory.

Step 3: Select Appropriate Adapters

As noted, the conduit fittings selected in step 2 provide a standard thread for the attachment of various adapters. The adapters are used to mate the conduit assembly to the many interfaces found on the ship, such as stuffing tubes or kick-pipes with tapered



Flexible bulk conduit is supplied with a brass metal core, bronze metal overbraiding and Glenair "BlueJacket" outer jacketing material which has been optimized for shipboard and other harsh application environments.

Factory terminated conduit fittings provide the ultimate flexibility in system specification. The lightweight solder fittings mate to all M24758 adapters and offer a maintenance-free alternative to user installed fittings.

A

NPT threads. Adapters are also available to facilitate mating of the conduit assembly to various military standard cylindrical connectors. The following are a selection of the standard adapters covered by MIL-PRF-24758A and supplied by Glenair:

1. Stuffing tube adapter (AKA swage tube or kick pipe adapter): These adapters are identified by the stuffing tube size and conduit diameter. See the M24758-15 drawing.

2. Panel adapter (AKA junction box adapter or interconnecting box adapter): These adapters are identified by the conduit size. The required mounting hole size is shown on M24758-19 and 25 adapters.

3. NPT adapter (AKA tapered pipe thread adapter): These adapters are identified by the NPT thread size and conduit size. See the M24758-17.

4. NPSM adapter (AKA National Pipe Thread Standard adapter): These adapters are identified by the NPSM thread and conduit size. See the M24758-18 drawing.

5. Splice (AKA conduit union adapter): These adapters are used, in conjunction with M24758-2 fittings, to join two sections of conduit together. See the M24758-23 drawing.

6. MS3100 Series MIL-C-5015 Connector adapter: These adapters are used with the obsolete MS3100 series solder style connectors. See the M24758-9 drawing.

NOTE 1: Do not use the M24758-9 series adapters for MS3400 and MS3450 crimp contact connectors. See item 10 below.

NOTE 2: Glenair recommends replacing MS3100 series connectors (and M24758-19 adapters) with the MS3400 series connectors and M24758-13 series adapters.

7. Triaxial connector adapter: These adapters connect the conduit fitting to triaxial connectors. Contact the factory for the order information.

8. Coaxial connector adapter: These adapters connect the conduit fitting to coaxial RF connectors. See the M24758-11 drawing.

9. MIL-C-26482 connector adapter: These adapters connect the conduit fitting to the obsolete MIL-C-26482, series 1 connectors. See the M24758-12 drawing.

NOTE 1: Glenair recommends replacing MS312X series connectors (and M24758-12 adapters) with the MIL-C-26482 series 2, MS347X connectors (and M24758-13 series adapters).

10. MIL-C-5015, MIL-C-26482, MIL-C-81703 and MIL-C-83723 series crimp contact connector adapter: These adapters connect the conduit fitting to MS3400, MS3450 and other MIL-C-5015 crimp style connectors, and MS347X, MIL-C-26482 series connectors. See the M24758-13 drawing.

11. MIL-C-28840 connector adapter: These adapters connect the conduit fitting to MIL-C-28840 series connectors. See the M24758-14 drawing.

12. MIL-D-38999 series connector adapters: These adapters connect the conduit fitting to MS 27XXX, series 1 and 2, and D38999 series III and IV connectors. See the M24758-20 drawing.

13. MIL-C-22992 series connector adapters: These adapters connect the conduit fitting to M1734X connectors. See the M24758-21 drawing. Contact factory for MIL-C-22992 Class L connector adapters.

14. Glenair Series 22 adapter: These adapters connect the conduit fitting to Glenair Series 22 connectors. See the M24758-22 drawing.

15. Multiple shield termination adapters: These adapters provide a shield termination mechanism for individual wire shields. See the M24758-24 drawing.

MIL-PRF-24758-25 Through -57

The MIL-PRF-24758 specification continues to grow. Each new dash number solves an additional interconnect challenge. Glenair is qualified on every one, and is the only comprehensive source for these critical components which handle all aspects of wire and cable routing and protection in topside naval applications. Got a conduit problem? Glenair technical support and procurement specialists are available around the clock, when and where you need us.

Glenair *BlueJacket*
U.S. Navy Qualified Jacketing Material
Material Specification



MIL-PRF
24758A

A

Glenair has developed and qualified a new formula jacketing material, which we are calling “*BlueJacket*” in honor of the men and women of the U.S. Navy who work with these products in arduous conditions on a daily basis. The material is low smoke, halogen free, high UV tolerant, and meets both U.S. Navy and aerospace fluid requirements. The color of Mil-PRF-24758A “*BlueJacket*” conduit is standard US Navy haze gray in accordance with Fed Std 595B #26270. If other colors are desired, contact the factory at (818) 247-6000. The material has the following performance characteristics:

GLENAIR “BLUEJACKET” TESTING

Temperature rating: -40°C to +260°C (with excursions to 290°C) Per MIL-PRF-24758A.

Halogen free per IEC 60614-1. Less than 5mg of HCL per 1 gm of product tested.

Accelerated Weathering (Solar) per IEC 60068-2-5; 56 days exposure (Equivalent to 50 years in the sun).

Flame Resistant per IEC 60614-1; Material does not sustain combustion when the source of flame is removed.

Low Smoke Index per NES 711 (11.75); Minimum standard is 25. The Glenair tested level is 11.75. This makes the material acceptable for interior applications as well as topside use.

Smoke Density Class F1 Per NF F 16-101 IAW DIN EN 60695-2-11:2001

Toxicity Index per NES 713 (1.9); Minimum standard is 5. The Glenair tested level is 1.9. This makes the material acceptable for interior applications as well as topside use.

Colorable to Fed Std 595B

Markable IAW MIL-PRF-24758A

Oxygen Limiting Index = 45.1 Per EN ISO 4589-2:1999; Minimum is 28.

12 Sec Vertical Burn: (Pass) Per 14CFR Part 25.853(a) AMDT 25-116 App F Part 1 (a)(1)(ii)

Fluids Per MIL STD 810F, Method 504

Fuel (MIL-T-83133): JPG

Hydraulic Fluid (MIL H 5606): ROYCO 756

Lube Oil (MIL-L-23699): ROYCO-500

Cleaner (MIL-C-85570): CALLA-855

Solvent (Isopropyl Alcohol): TT-I-735

De Icer (AMS-1432): E36 Runway Deicer

Coolant (MIL-C-87252): Coolanol 25R

Fire Extinguishant Foam: AMEREX AFFF

ASTM E 595 Vacuum Outgassing: Post Bake results; TML.06%, CVCM .006%, WVR .02%.

NAWC Lakehurst Amphib VLA flexible conduit JSF high temperature tests (600 deg F).

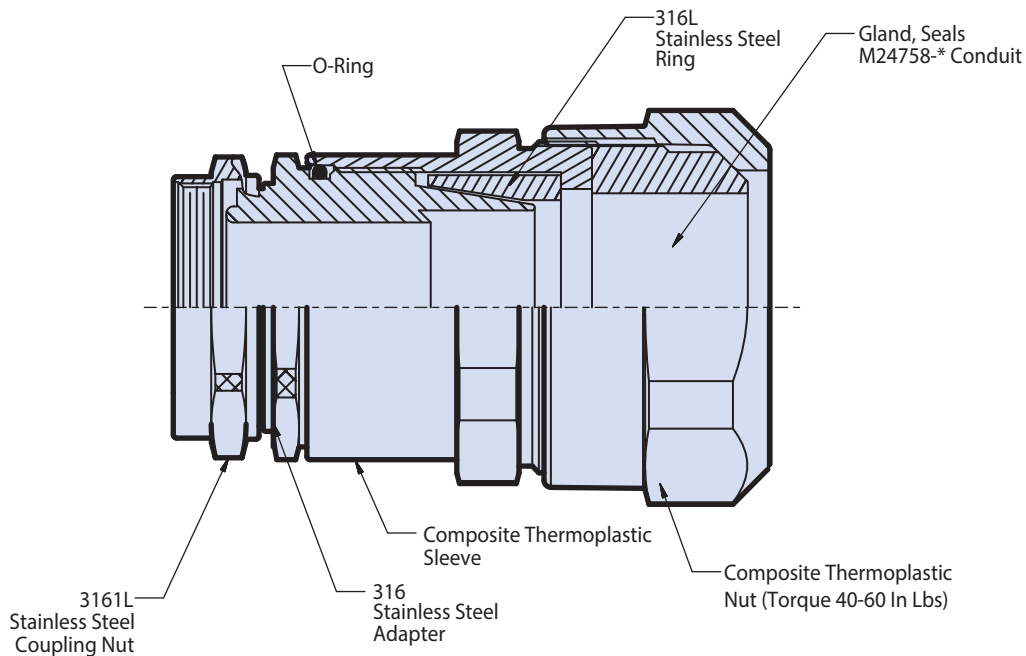
Fungus Resistance testing (Rating of 0) per MIL:-SRD-810F, Method 508.5.

ASTM D624 Die B tear test: 150kN/m.

Cold Bend -65°C, IAW TP 972-7103TP-1 No crazing or cracks.

A

**A Marriage of Lightweight
Composite Thermoplastic
and Stainless Steel
Provides About
40% Weight Reduction
on a Select Group of
Qualified MIL-PRF-24758A (SH)
Conduit Fitting Styles and Sizes**



Typical Distribution of Materials
Comprising the New Ultra-Lightweight
MIL-PRF-24758A(SH)
Conduit Fittings

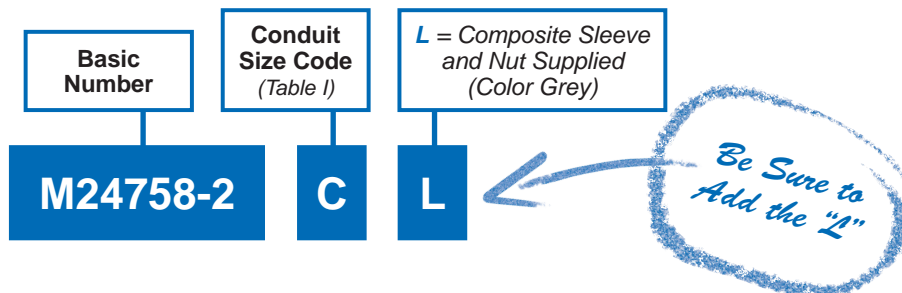
**Now Available: New Ultra-Lightweight
Qualified MIL-PRF-24758A(SH) Conduit Fittings
About 40% Weight Reduction • Select Styles and Sizes**



MIL-PRF
24758A

*How to Order
the Qualified New Ultra-Lightweight
MIL-PRF-24758 A(SH) Conduit Fittings*

A



**The New Ultra-Lightweight MIL-PRF-24758A(SH)
Conduit Fittings are available
ONLY IN THE FOLLOWING DASH NUMBERS AND SIZE CODES:**

DASH NUMBERS:

-2L, -3L, 4L, 5L, 6L, 7L, 8L, 39L, 40L, 41L, 43L, 44L, 45L, 46L, 47L, 48L, 52L, 53L, 54L, 56L, 57L

SIZE CODES:

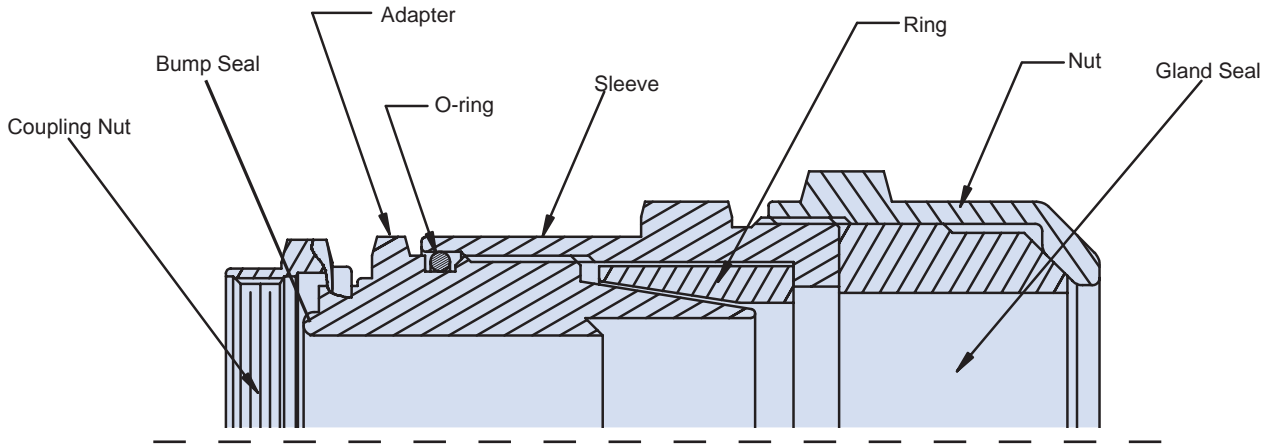
A, B, C, D, E, J, K

Materials / Finish:

Adapter, Coupling Nut and Ring – 316L Stainless Steel/
Nickel Plating, Grey Color.

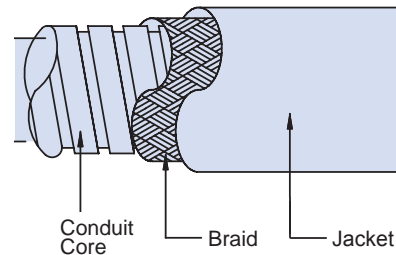
Sleeve and Nut – Composite Thermoplastic/Grey Color

O-Ring and Gland – Silicone Rubber/N.A.



Tools:

Tin snips or scissors capable of trimming conduit and braid
 Hacksaw, chop saw or tubing cutter
 Anti Seize Compound such as NSN 8030-01 450 4009 Tef Gel
 Razorblade
 Adjustable wrench (Rigid E110 or similar)
 Silicone O-ring lube
 Vice or second wrench
 Needle-nose pliers



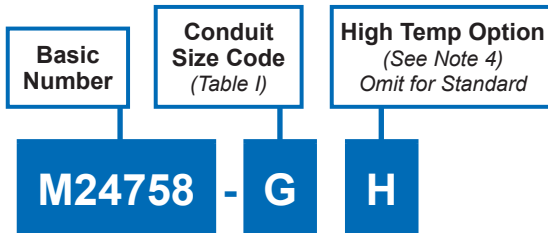
Preassembly instructions: Disassemble fitting and ensure all thread engagements are smooth and burr free. Lubricate gland and O-ring with silicone lube.

1. Measure conduit to desired length (better long than short) and cut to length.
2. Using snips, trim end of conduit, braid and jacket. Ensure all bent edges are removed or smoothed.
3. Slide sleeve, nut and gland seal up conduit (out of way).
4. Using ring as a guide, cut jacket back 1/4" (6.35mm) wider than ring.
5. Slide ring over braid to edge of jacket.
6. Insert cone portion of adapter under braid and ring over conduit core. Apply anti seize to threads.
7. Slide sleeve down conduit and engage threads on adapter. Tighten sleeve until it bottoms out against adapter. O-ring should not be visible.
8. Slide gland seal and nut down to engage thread on sleeve. Tighten until only a small portion of blue gland 1/32" (.793mm) seal is visible above nut.

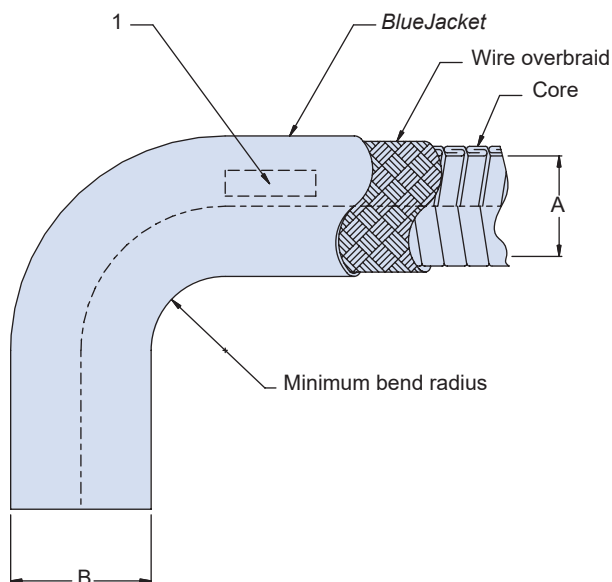
MIL-PRF-24758-
EMI/EMP Shielding Conduit
with Glenair *BlueJacket*



MIL-PRF
24758A



A



CONDUIT SIZE CODE	A I.D. MIN	B O.D. MAX	MINIMUM BEND RADIUS
A	.25 (6.35)	.62 (15.748)	1.25 (31.75)
B	.50 (12.7)	.89 (22.606)	2.50 (63.5)
C	.75 (19.05)	1.14 (33.06)	3.75 (95.25)
D	1.00 (25.4)	1.45 (36.83)	5.00 (127.0)
E	1.25 (31.75)	1.70 (43.2)	6.25 (158.75)
F	1.50 (38.1)	1.95 (49.53)	7.50 (190.5)
G	2.00 (50.8)	2.48 (62.992)	10.00 (254.0)
H	2.50 (63.5)	2.98 (75.692)	12.50 (317.5)
J	.37 (9.398)	.74 (18.796)	2.00 (50.8)
K	.62 (15.748)	1.02 (25.908)	3.00 (76.2)
L	3.00 (76.2)	3.48 (88.392)	15.00 (381.0)

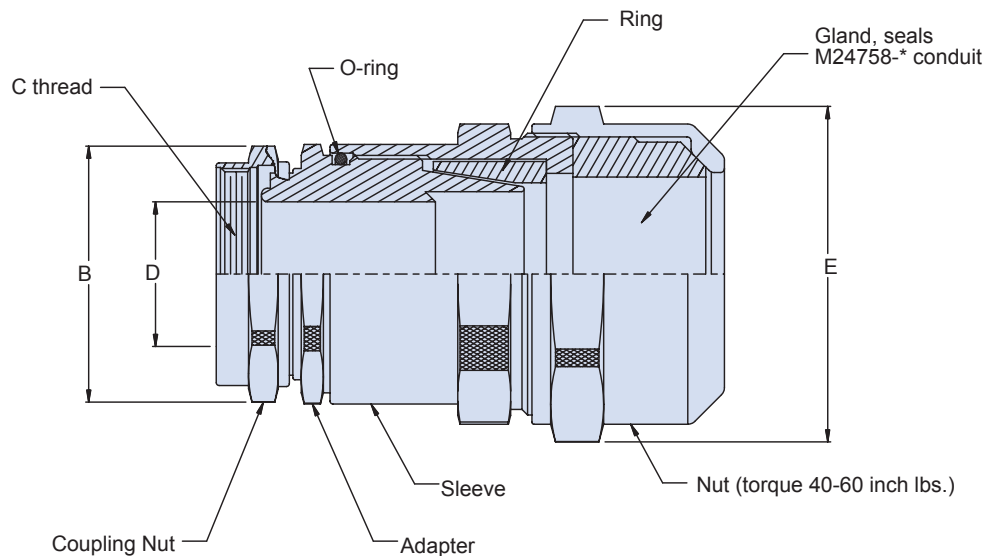
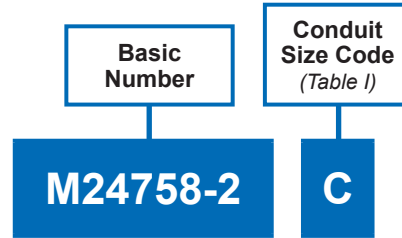
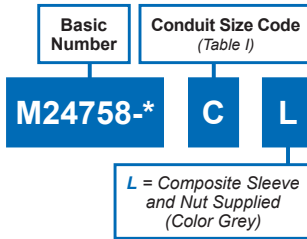
APPLICATION NOTES

- Conduit identified with M24758-* Glenair "BlueJacket" halogen free. Marking shall be applied on the conduit jacket. "*" = Conduit Size code.
- Material:
Core - Brass
Wire overbraid - Bronze
Jacket - Glenair *BlueJacket* (U.S. Navy haze grey color).
- Metric dimensions (mm) are indicated in parentheses.
- MIL-PRF-24758A operating temperature range: -40°C to + 125°C. (Select Designator "H" for high temperature *BlueJacket* option, -65°C to +260°C.)

A

DID YOU KNOW?

You Can Also Order a Lightweight Version of this Conduit Fitting Only in Size Codes **A, B, C, D, J** and **K** Just By Adding "L" to the Part Number



APPLICATION NOTES

1. Assembly identified with manufacturer's code identification number (Glenair, part number and classification code 490).
2. The function of the M24758-2 fitting is to terminate M24758-* flexible shielding conduit and to provide a standard thread for attaching all M24758-9 through M24758-21 fittings.
3. Material / Finish:
Adapter, nuts, sleeve & ring - 316 / electroless nickel, matte finish.
O-ring and gland - silicone rubber / NA.
4. Metric dimensions (mm) are indicated in parentheses.

MIL-PRF-24758-2 Straight Conduit Fitting



MIL-PRF
24758A

A

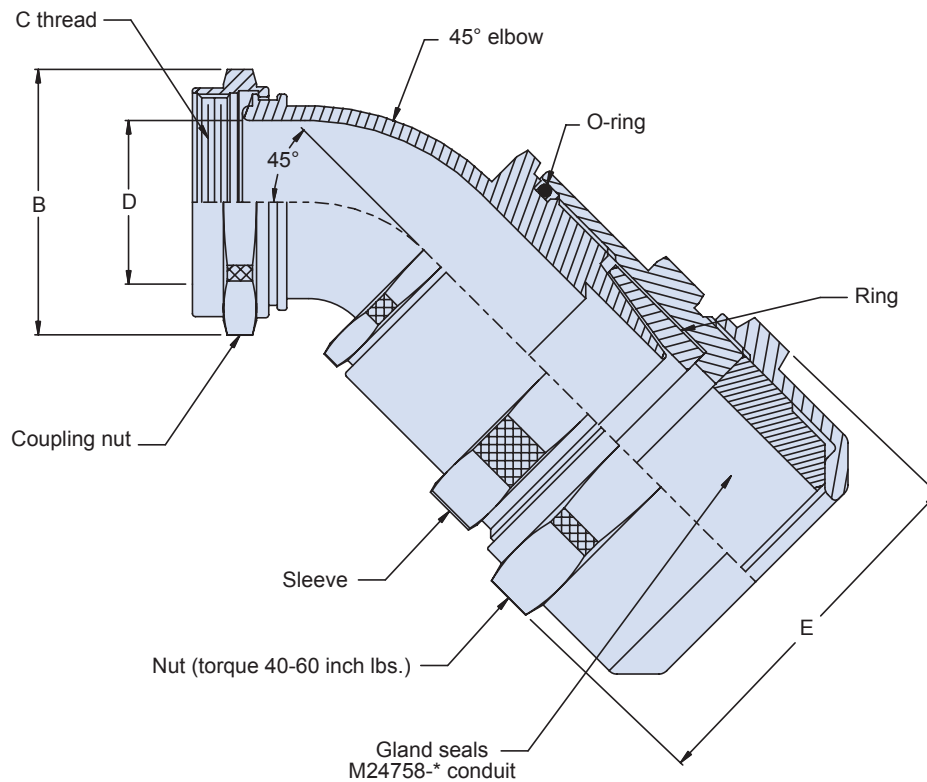
TABLE I

CONDUIT SIZE CODE	C CLASS - 2B THREAD	B DIA MAX	D DIA MIN	E DIA MAX
A	.438-28 UNEF	.88 (22.35)	.245 (6.22)	1.18 (29.97)
B	.688-24 UNEF	1.13 (28.70)	.495 (12.57)	1.45 (36.83)
C	.938-20 UNEF	1.38 (35.05)	.745 (18.92)	1.79 (45.47)
D	1.250-18 UNEF	1.69 (42.93)	.995 (25.27)	2.06 (52.32)
E	1.563-18 UNEF	2.00 (50.80)	1.245 (31.62)	2.32 (58.93)
F	1.875-16 UN	2.31 (58.67)	1.495 (37.97)	2.59 (65.79)
G	2.375-16 UN	2.94 (74.65)	1.995 (50.77)	3.26 (82.80)
H	2.875-16 UN	3.44 (87.38)	2.495 (63.37)	3.80 (96.52)
J	.563-24 UNEF	.94 (23.88)	.370 (9.40)	1.32 (33.53)
K	.813-20 UNEF	1.19 (30.23)	.620 (15.75)	1.66 (42.16)
L	3.375-16 UN	3.94 (100.08)	2.995 (76.07)	4.34 (110.24)

**TABLE II
RECOMMENDED TORQUE**

CONDUIT SIZE CODE	± 5 Inch lbs.		
	C THREAD	SLEEVE	Nut
A	50	120	40-60
B	75	140	40-60
C	100	150	40-60
D	120	170	40-60
E	140	170	40-60
F	150	170	40-60
G	170	170	40-60
H	170	170	40-60
J	50	120	40-60
K	75	140	40-60
L	170	170	40-60

A

**Basic
Number**
**Conduit
Size Code**
(Table I)
M24758-3
C


APPLICATION NOTES

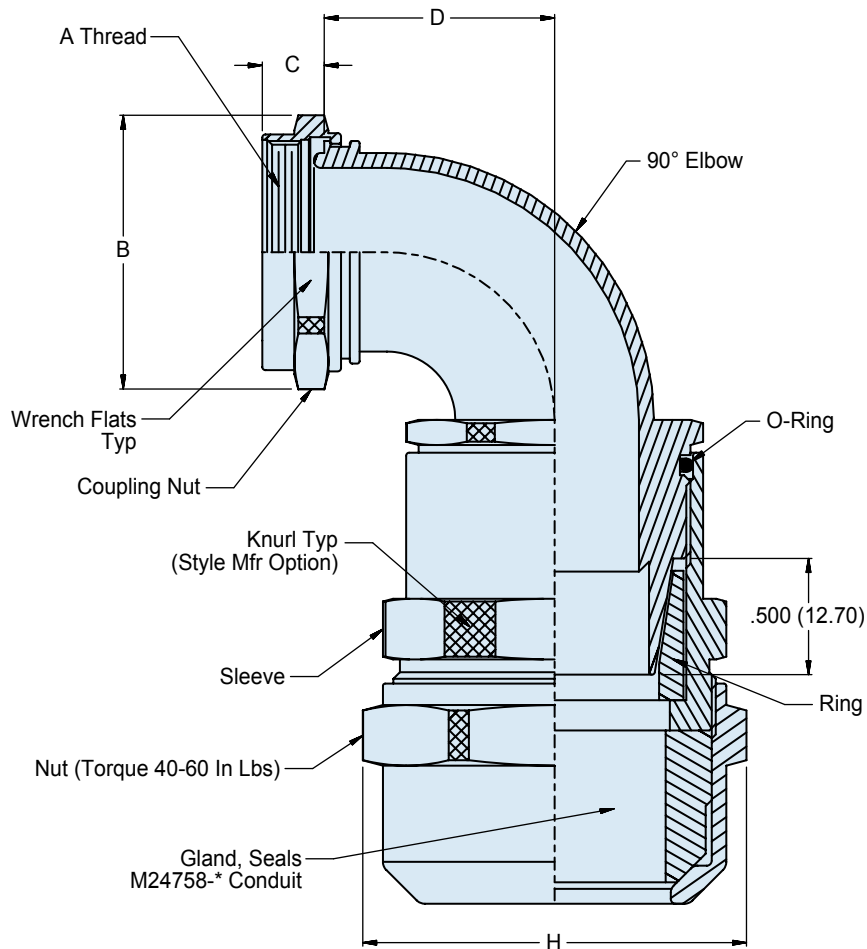
1. Assembly identified with manufacturer's code identification number (Glenair, part number and classification code 490).
2. The function of the M24758-3 fitting is to terminate M24758-* flexible shielding conduit and to provide a standard thread for attaching onto M24758-9 through M24758-25 fittings.
3. Material / Finish:
Adapter, nuts, sleeve & ring - 316 / electroless nickel, matte finish.
O-ring and gland - silicone rubber / NA.
4. Metric dimensions (mm) are indicated in parentheses.

TABLE I

CONDUIT SIZE CODE	C CLASS - 2B THREAD	B DIA MAX	D DIA MIN	E DIA MAX
A	.438-28 UNEF	.88 (22.35)	.245 (6.22)	1.18 (29.97)
B	.688-24 UNEF	1.13 (28.70)	.495 (12.57)	1.45 (36.83)
C	.938-20 UNEF	1.38 (35.05)	.745 (18.92)	1.79 (45.47)
D	1.250-18 UNEF	1.69 (42.93)	.995 (25.27)	2.06 (52.32)
E	1.563-18 UNEF	2.00 (50.80)	1.245 (31.62)	2.32 (58.93)
F	1.875-16 UN	2.31 (58.67)	1.495 (37.97)	2.59 (65.79)
G	2.375-16 UN	2.94 (74.68)	1.995 (50.67)	3.26 (82.80)
H	2.875-16 UN	3.44 (87.38)	2.495 (63.37)	3.80 (96.52)
J	.563-24 UNEF	.94 (23.88)	.370 (9.40)	1.32 (33.53)
K	.813-20 UNEF	1.19 (30.23)	.620 (15.75)	1.66 (42.16)
L	3.375-16 UN	3.94 (100.08)	2.995 (76.07)	4.34 (110.24)

**TABLE II
RECOMMENDED TORQUE**

CONDUIT SIZE CODE	± 5 Inch lbs.		
	C THREAD	SLEEVE	Nut
A	50	120	40-60
B	75	140	40-60
C	100	150	40-60
D	120	170	40-60
E	140	170	40-60
F	150	170	40-60
G	170	170	40-60
H	170	170	40-60
J	50	120	40-60
K	75	140	40-60
L	170	170	40-60

A
**Basic
Number**
**Conduit
Size Code
(Table I)**
M24758-4
C

APPLICATION NOTES

1. Assembly identified with manufacturer's code identification number (Glenair, part number and classification code 490).
2. The function of the M24758-4 fitting is to terminate M24758-* flexible shielding conduit and to provide a standard thread for attaching onto M24758-9 through M24758-25 fittings.
3. Material / Finish:
Adapter, nuts, sleeve & ring - 316 / electroless nickel, matte finish.
O-ring and gland - silicone rubber / NA.
4. Metric dimensions (mm) are indicated in parentheses.

TABLE I

CONDUIT SIZE CODE	C CLASS - 2B THREAD	B DIA MAX	C DIM MIN	D DIM Max	H MAX DIA
A	.438-28 UNEF	.88 (22.35)	.205 (5.21)	.81 (20.57)	1.18 (29.97)
B	.688-24 UNEF	1.13 (28.70)	.245 (6.22)	1.12 (28.45)	1.45 (36.83)
C	.938-20 UNEF	1.38 (35.05)	.305 (7.75)	1.47 (37.34)	1.79 (45.47)
D	1.250-18 UNEF	1.69 (42.93)	.365 (9.27)	1.81 (45.97)	2.06 (52.32)
E	1.563-18 UNEF	2.00 (50.80)	.365 (9.27)	2.12 (53.85)	2.32 (58.93)
F	1.875-16 UN	2.31 (58.67)	.425 (10.80)	2.50 (63.50)	2.59 (65.79)
G	2.375-16 UN	2.94 (74.68)	.425 (10.80)	3.12 (79.25)	3.26 (82.80)
H	2.875-16 UN	3.44 (87.38)	.425 (10.80)	3.25 (82.55)	3.80 (96.52)
J	.563-24 UNEF	.940 (23.88)	.245 (6.22)	.93 (23.62)	1.32 (33.53)
K	.813-20 UNEF	1.19 (30.23)	.305 (7.75)	1.25 (31.75)	1.66 (42.16)
L	3.375-16 UN	3.94 (100.08)	.425 (10.80)	4.50 (114.30)	4.34 (110.24)

TABLE II
RECOMMENDED TORQUE

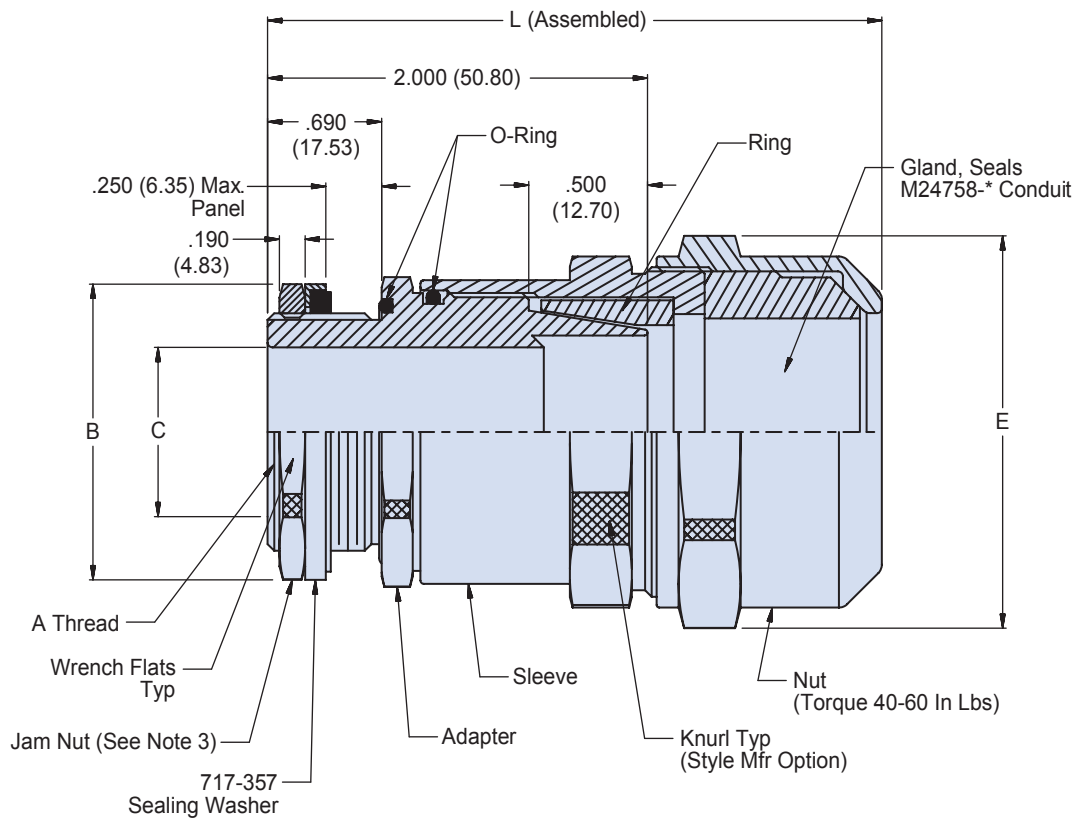
CONDUIT SIZE CODE	± 5 Inch lbs.		
	C THREAD	SLEEVE	Nut
A	50	120	40-60
B	75	140	40-60
C	100	150	40-60
D	120	170	40-60
E	140	170	40-60
F	150	170	40-60
G	170	170	40-60
H	170	170	40-60
J	50	120	40-60
K	75	140	40-60
L	170	170	40-60

A

Basic
NumberConduit
Size Code
(Table I)

M24758-5

C



APPLICATION NOTES

1. Assembly identified with manufacturer's code identification number (Glenair, part number and classification code 490).
2. The function of the M24758-5 fitting is to terminate M24758-* flexible shielding conduit directly to a panel. Two jam nuts are supplied with this fitting. One nut secures the fitting to the panel and the second nut acts as a lock nut to the first.
3. Use Glenair 600-176 Jam Nut Wrench.
4. Material / Finish:
Adapter, nuts, sleeve & ring - 316 SST/Electroless nickel, matte finish.
O-Ring and gland - Silicone rubber / NA.
Sealing Washer - See individual drawing.
5. 4. Metric dimensions (mm) are indicated in parentheses.

MIL-PRF-24758-5 Straight Conduit to Panel Fitting



MIL-PRF
24758A

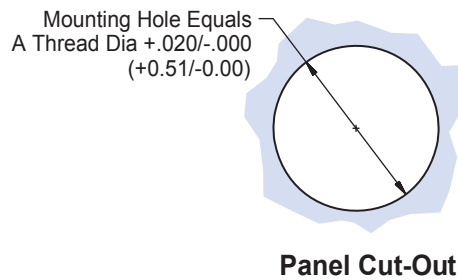
A

TABLE I

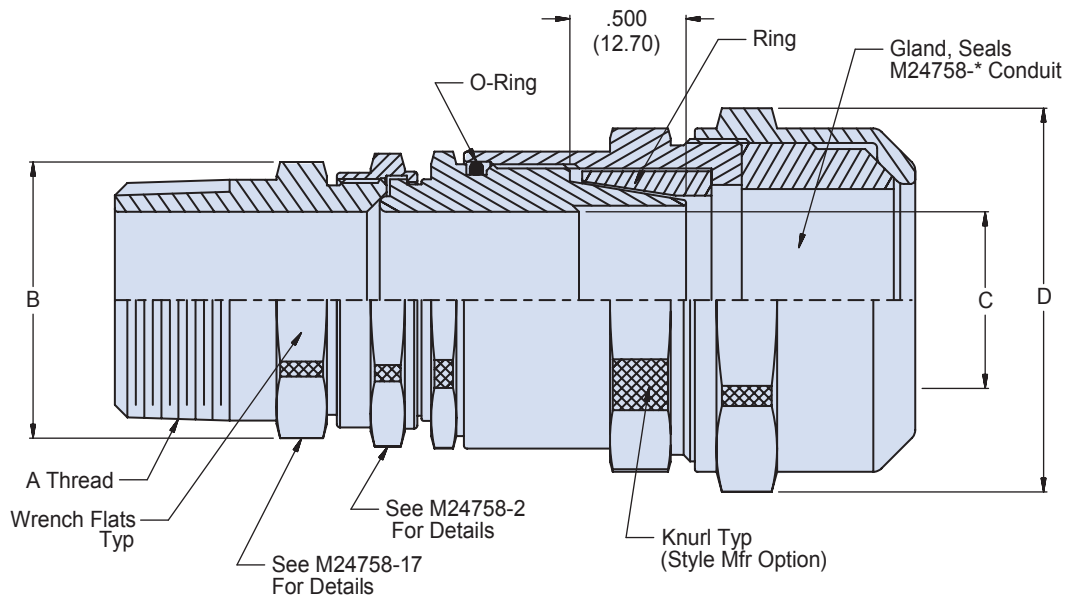
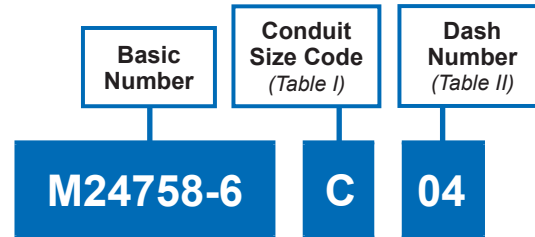
CONDUIT SIZE CODE	A CLASS - 2A THREAD	B DIA ±.06 (1.5)	C DIA MIN	E MAX DIA	L REF DIM
A	.625-24 UNEF	1.000 (25.40)	.245 (6.2)	1.18 (29.97)	3.400 (86.36)
B	.875-20 UNEF	1.250 (31.75)	.495 (12.6)	1.45 (36.83)	3.400 (86.36)
C	1.188-18 UNEF	1.562 (39.67)	.745 (18.9)	1.79 (45.47)	3.400 (86.36)
D	1.438-18 UNEF	1.812 (46.02)	.995 (25.3)	2.06 (52.32)	3.400 (86.36)
E	1.750-16 UN	2.125 (53.98)	1.245 (31.6)	2.32 (58.93)	3.400 (86.36)
F	2.000-16 UN	2.375 (60.33)	1.495 (38.0)	2.59 (65.79)	3.680 (93.47)
G	2.500-16 UN	2.875 (73.03)	1.995 (50.7)	3.26 (82.80)	3.680 (93.47)
H	3.000-16 UN	3.375 (85.73)	2.495 (63.4)	3.80 (96.52)	3.680 (93.47)
J	.750-20 UNEF	1.125 (28.58)	.370 (9.4)	1.32 (33.53)	3.400 (86.36)
K	1.000-20 UNEF	1.500 (38.10)	.620 (15.7)	1.66 (42.16)	3.400 (86.36)
L	3.500-16 UN	3.750 (95.3)	2.995 (76.1)	4.34 (110.24)	3.680 (93.47)

**TABLE II
RECOMMENDED TORQUE
(Inch Lbs.)**

CONDUIT SIZE CODE	SLEEVE	JAM NUT See Note 3
A	115 – 125	40 – 50
B	135 – 145	50 – 60
C	145 – 155	
D	165 – 175	80 – 90
E	165 – 175	
F	165 – 175	100 – 110
G	165 – 175	150 – 160
H	165 – 175	
J	115 – 125	50 – 60
K	135 – 145	
L	165 – 175	150 – 160



A



APPLICATION NOTES

1. Assembly identified with manufacturer's code identification number (Glenair, part number and classification code 490).
2. The function of the M24758-6 fitting is to terminate M24758-* flexible shielding conduit to a reusable fitting having an external tapered pipe thread.
3. See M24758-2 for recommended torque values.
4. Material / Finish:
Adapter, nuts, sleeve & ring - 316L SST/Electroless nickel, matte finish.
O-Ring and gland - Silicone rubber / NA.
5. Metric dimensions (mm) are indicated in parentheses.

MIL-PRF-24758-6 Straight Conduit to Tapered Pipe Thread Fitting



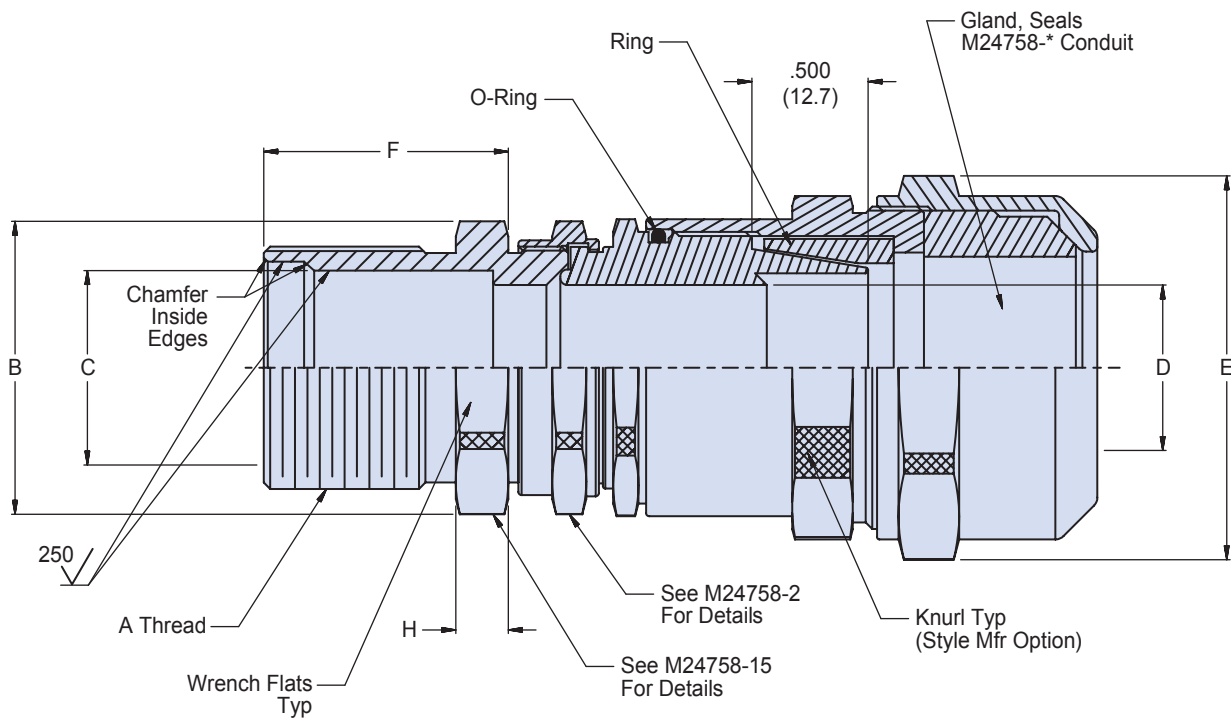
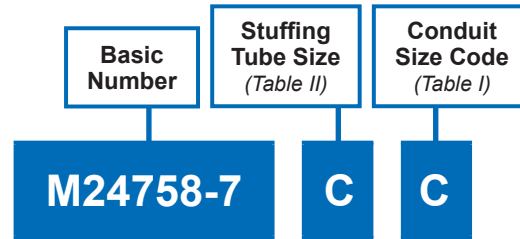
MIL-PRF
24758A

A

CONDUIT SIZE CODE	C DIA MIN	D DIA MAX
A	.245 (6.2)	1.18 (29.97)
B	.495 (12.6)	1.45 (36.83)
C	.745 (18.9)	1.79 (45.47)
D	.995 (25.3)	2.06 (52.32)
E	1.245 (31.6)	2.32 (58.93)
F	1.495 (38.0)	2.59 (65.79)
G	1.995 (50.7)	3.26 (82.80)
H	2.495 (63.4)	3.80 (96.52)
J	.370 (9.4)	1.32 (33.53)
K	.620 (15.7)	1.66 (42.16)
L	2.995 (76.1)	4.34 (110.24)

DASH NUMBER	A EXTERNAL TAPER PIPE THREAD	B DIA MAX
1	.250-18 NPT	1.000 (25.40)
2	.375-18 NPT	1.130 (28.70)
3	.500-14 NPT	1.250 (31.75)
4	.750-14 NPT	1.500 (38.10)
5	1.000-11.5 NPT	1.750 (44.45)
6	1.250-11.5 NPT	2.130 (54.10)
7	1.500-11.5 NPT	2.380 (60.45)
8	2.000-11.5 NPT	2.880 (73.15)
9	2.500-8 NPT	3.380 (85.85)
10	3.000-8 NPT	4.130 (104.90)

CONDUIT SIZE CODE	± 5 Inch lbs.	
	A THREAD	SLEEVE
A	40	120
B	45	140
C	50	150
D	80	170
E	80	170
F	80	170
G	80	170
H	80	170
J	45	120
K	50	140
L	80	170



APPLICATION NOTES

1. Assembly identified with manufacturer's code identification number (Glenair, part number and classification code 490).
2. The M24758-7 adapter couples MIL-S-24235/9 through MIL-S-24235/17 stuffing tubes to M24758-* conduit.
3. See M25758-2 for recommended torque values.
4. Material / Finish:
Adapter, nuts, sleeve & ring - 316L SST/Electroless nickel, matte finish.
O-Ring and gland - Silicone rubber / NA.
5. Metric dimensions (mm) are indicated in parentheses.

MIL-PRF-24758-7 Straight Conduit to Stuffing Tube



MIL-PRF
24758A

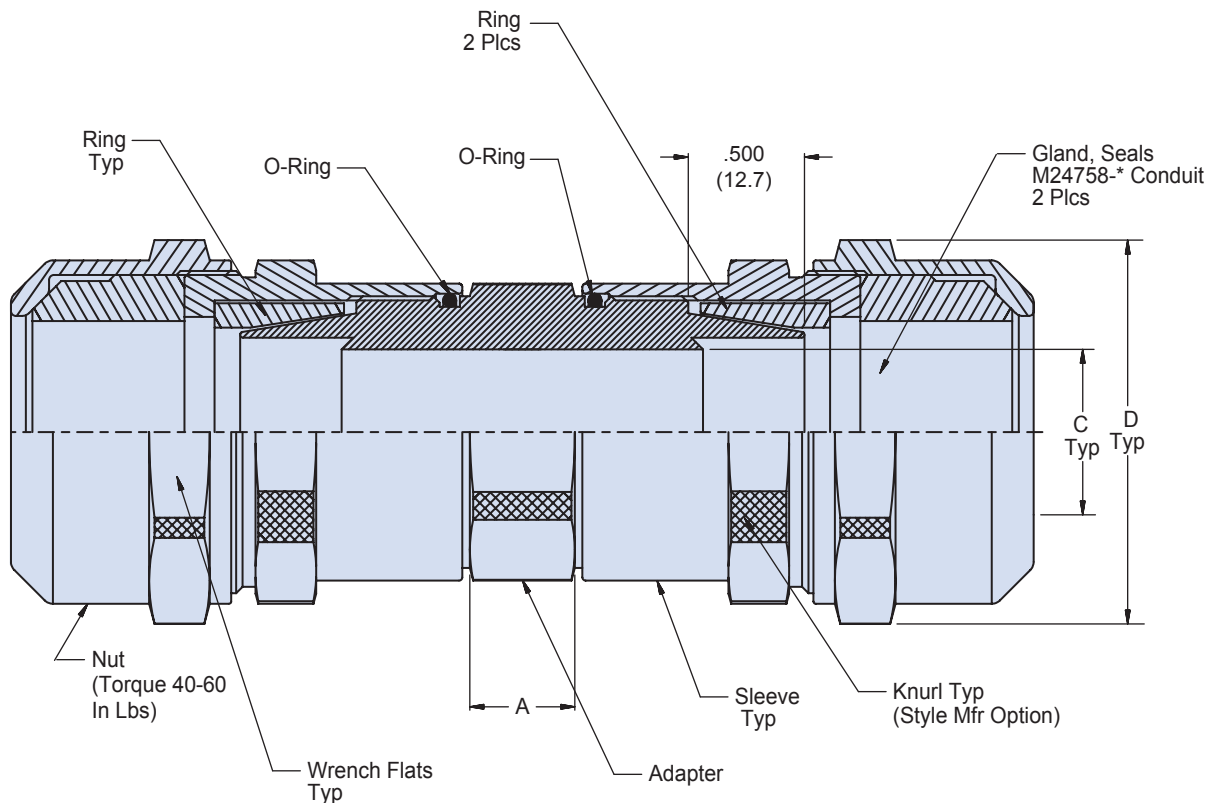
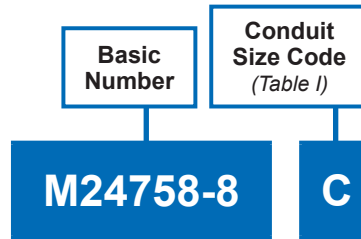
A

STUFFING TUBE SIZE	CONDUIT SIZE CODE	A CLASS - 2A THREAD	B DIA MAX	C DIA	F ± .020 (0.51)	H ± .020 (0.51)
A	A, B, J	.875-12UN	1.375 (34.93)	.406 (10.31)	1.063 (27.00)	.188 (4.78)
B	B	1.000-12UN	1.500 (38.10)	.515 (13.08)	1.063 (27.00)	.188 (4.78)
C	B, C, K	1.250-12UN	1.625 (41.28)	.640 (16.26)	1.063 (27.00)	.188 (4.78)
D	C, K	1.250-12UN	1.750 (44.45)	.750 (19.05)	1.063 (27.00)	.188 (4.78)
E	D	1.313-12UN	2.750 (69.85)	.812 (20.62)	1.063 (27.00)	.188 (4.78)
F	D	1.625-12UN	2.812 (71.42)	.843 (21.41)	1.188 (30.18)	.188 (4.78)
G	E	1.750-12UN	2.000 (50.80)	.935 (23.75)	1.188 (30.18)	.188 (4.78)
J	E	1.813-12UN	2.125 (53.98)	1.062 (26.97)	1.188 (30.18)	.188 (4.78)
K	E	2.000-12UN	2.250 (57.15)	1.171 (29.74)	1.500 (38.10)	.188 (4.78)
L	E, F	2.063-12UN	2.312 (58.72)	1.265 (32.13)	1.500 (38.10)	.188 (4.78)
M	F	2.188-12UN	2.500 (63.50)	1.406 (35.71)	1.500 (38.10)	.250 (6.35)
N	G	2.313-12UN	2.625 (66.66)	1.515 (38.48)	1.563 (39.70)	.250 (6.35)
P	G	2.688-12UN	2.750 (69.85)	1.625 (41.28)	1.563 (39.70)	.250 (6.35)
R	G	2.875-12UN	2.875 (73.03)	1.750 (44.45)	1.563 (39.70)	.250 (6.35)
S	G	3.000-12UN	3.250 (82.55)	1.875 (47.63)	2.188 (55.58)	.313 (7.95)
T	G	2.875-12UN	3.500 (88.90)	2.062 (52.37)	2.188 (55.58)	.313 (7.95)
V	G, H	3.000-12UN	3.625 (92.08)	2.187 (55.55)	2.188 (55.58)	.313 (7.95)
W	H	3.125-12UN	3.750 (95.25)	2.312 (58.72)	2.188 (55.58)	.313 (7.95)
X	H	3.250-12UN	3.875 (98.43)	2.500 (63.50)	2.188 (55.58)	.313 (7.95)
Y	H	3.375-12UN	4.000 (101.60)	2.609 (66.27)	2.188 (55.58)	.313 (7.95)
Z	H	3.563-12UN	4.250 (107.95)	2.781 (70.64)	2.188 (55.58)	.313 (7.95)
AA	H	3.750-12UN	4.500 (114.30)	2.875 (73.03)	3.125 (79.38)	.438 (11.13)
BB	H, L	4.000-12UN	4.750 (120.65)	3.157 (80.19)	3.125 (79.38)	.438 (11.13)

CONDUIT SIZE CODE	D MIN DIA	E MAX DIA
A	.245 (6.22)	1.18 (29.97)
B	.495 (12.57)	1.45 (36.83)
C	.745 (18.63)	1.79 (45.47)
D	.995 (25.73)	2.06 (52.32)
E	1.245 (31.63)	2.32 (58.93)
F	1.495 (37.97)	2.59 (65.79)
G	1.995 (50.63)	3.26 (82.80)
H	2.495 (63.37)	3.80 (96.52)
J	.370 (9.40)	1.32 (33.53)
K	.620 (15.75)	1.66 (42.16)
L	2.995 (76.03)	4.34 (110.24)

CONDUIT SIZE CODE	± 5 Inch lbs.	
	A THREAD	SLEEVE
A	40	120
B	45	140
C	50	150
D	80	170
E	80	170
F	80	170
G	80	170
H	80	170
J	45	120
K	50	140
L	80	170

A



APPLICATION NOTES

1. Assembly identified with manufacturer's code identification number (Glenair, part number and classification code 490).
2. The function of the M24758/8 conduit-to-conduit fitting is to connect two sections of M24758-* flexible shielding conduit. Consult factory to mate two different sizes of conduit or to purchase the union fitting separately.
3. See M25758-2 for recommended torque values.
4. Material / Finish:
Adapter, nuts, sleeve & ring - 316L SST/Electroless nickel, matte finish.
O-Ring and gland - Silicone rubber / NA.
5. Metric dimensions (mm) are indicated in parentheses.

MIL-PRF-24758-8
Straight Conduit-to-Conduit Fitting



MIL-PRF
24758A

A

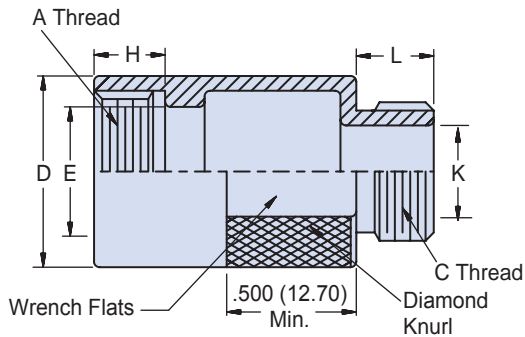
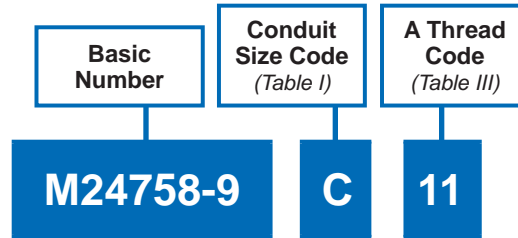
TABLE I

CONDUIT SIZE CODE	A ± .060 (1.52) DIM	C MIN DIA	D MAX DIA
A	.500 (12.70)	.245 (6.22)	1.18 (29.97)
B	.560 (14.22)	.495 (12.57)	1.45 (36.83)
C	.620 (15.75)	.745 (18.63)	1.79 (45.47)
D	.620 (15.75)	.995 (25.73)	2.06 (52.32)
E	.680 (17.27)	1.245 (31.63)	2.32 (58.93)
F	.680 (17.27)	1.495 (37.97)	2.59 (65.79)
G	.750 (19.05)	1.995 (50.63)	3.26 (82.80)
H	.750 (19.05)	2.495 (63.37)	3.80 (96.52)
J	.500 (12.70)	.370 (9.40)	1.32 (33.53)
K	.560 (14.22)	.620 (15.75)	1.66 (42.16)
L	.750 (19.05)	2.995 (76.03)	4.34 (110.24)

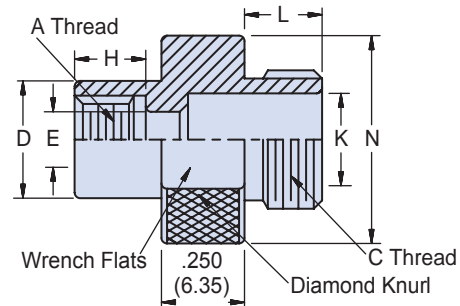
**TABLE III
RECOMMENDED
TORQUE**
(See Note 3)

CONDUIT SIZE CODE	± 5 Inch lbs.	
	A THREAD	SLEEVE
A	40	120
B	45	140
C	50	150
D	80	170
E	80	170
F	80	170
G	80	170
H	80	170
J	45	120
K	50	140
L	80	170

A



For Use When E Diameter is
Greater Than K Diameter



For Use When E Diameter is
Equal to or Less Than K Diameter

TABLE I

CONDUIT SIZE CODE	C CLASS - 2A THREAD	L +.030 (0.76) -.00 (0.00)	K DIA MIN	N DIA ± .020 (0.51)
A	.438-28 UNEF	.210 (5.33)	.245 (6.22)	.687 (17.45)
B	.688-24 UNEF	.250 (6.35)	.490 (12.57)	.937 (23.80)
C	.938-20 UNEF	.310 (7.87)	.745 (18.92)	1.187 (30.15)
D	1.250-18 UNEF	.370 (9.40)	.995 (25.27)	1.500 (38.10)
E	1.563-18 UNEF	.370 (9.40)	1.245 (31.62)	1.812 (46.02)
F	1.875-16 UN	.430 (10.92)	1.495 (37.97)	2.125 (53.98)
G	2.375-16 UN	.430 (10.92)	1.995 (50.67)	2.625 (66.68)
H	2.875-16 UN	.430 (10.92)	2.495 (63.37)	3.125 (79.8)
J	.563-24 UNEF	.250 (6.35)	.370 (9.40)	.812 (20.62)
K	.813-20 UNEF	.310 (7.87)	.620 (15.75)	1.062 (26.97)
L	3.375-16 UN	.430 (10.92)	2.995 (76.07)	3.625 (92.08)

APPLICATION NOTES

- Assembly identified with manufacturer's code identification number (Glenair, part number and classification code 490).
- The function of the M24758-9 couples MIL-C-5015 connectors (MS3100, MS3101, MS3106 and MS-series end bells) to M24758-2, MS24758-3 or M24758-4 fittings.
- For MIL-DTL-5015, MS3400 series, the M24758-13 adapter shall be used.
- See Glenair Circular Connector Accessories Catalog for recommended torque values, Group 1.
- Material / Finish:
Adapter - 316 / electroless nickel, matte finish
- Metric dimensions (mm) are indicated in parentheses.

MIL-PRF-24758-9 Adapter for MS3100 Series MIL-DTL-5015 Connectors



MIL-PRF
24758A

A

MIL-DTL-5015 CONNECTOR MANUFACTURER SYMBOLS

Symbol	Manufacturer	Connector Series	Class
A	All	MS3100, 01, 06	A/E/F/R
H	Amphenol	MS3100, 01, 06; 97 Series, Blue Insert	A
J		MS3100, 01, 06	E/F/R
L	Amphenol/BCO	MS3100, 01, 06; 10-214, 10-720, 10-721, 10-726	A/E/F/R
M	Cannon	MS3100, 01, 06	A
N	Cannon	MS3100, 01, 063; CA 00, 01, 06	E/F/R

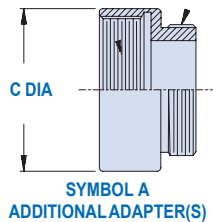
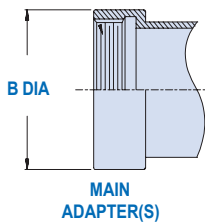
A-THREAD CODE AND ADAPTER DIMENSIONS

A Thread Code	Connector Shell Size	Connector Code	A Class - 2B Thread	H ± .02		D Dia ± .02		E Dia ± .02	
				In.	mm.	In.	mm.	In.	mm.
1	8S	D	.375-32 UNEF	0.180	4.6	0.500	12.7	0.280	7.1
2	8S	B	.438-27 UNS	0.210	5.3	0.560	14.2	0.340	8.6
3	8	C,E,F	.438-28 UNEF	0.210	5.3	0.560	14.2	0.340	8.6
4	8S	A	.500-28 UNEF	0.210	5.3	0.620	15.7	0.370	9.4
4	10S	A,B,C,D,E	.500-28 UNEF	0.210	5.3	0.620	15.7	0.370	9.4
5	10S	E	.563-24 UNEF	0.250	6.4	0.680	17.3	0.450	11.4
5	10SL	E,F	.563-24 UNEF	0.250	6.4	0.680	17.3	0.450	11.4
6	10SL	A,B,C,D	.625-24 UNEF	0.250	6.4	0.750	19.1	0.500	12.7
6	12,12S	A,D,F	.625-24 UNEF	0.250	6.4	0.750	19.1	0.500	12.7
7	12,12S	B,C,E	.688-24 UNEF	0.250	6.4	0.810	20.6	0.570	14.5
8	12SL	A	.750-20 UNEF	0.280	7.1	0.870	22.1	0.620	15.7
8	14,14S	A,B,C,D,E,F	.750-20 UNEF	0.280	7.1	0.870	22.1	0.620	15.7
9	16,16S	A,B,C,D,E,F	.875-20 UNEF	0.280	7.1	1.000	25.4	0.750	19.1
10	18	A,B,C,D,E,F	1.000-20 UNEF	0.280	7.1	1.120	28.4	0.870	22.1
11	20	B,D,E,F	1.125-18 UNEF	0.280	7.1	1.250	31.8	1.000	25.4
12	20	C	1.125-24 UNS	0.280	7.1	1.250	31.8	1.000	25.4
13	20,22	A	1.188-18 UNEF	0.280	7.1	1.310	33.3	1.060	26.9
14	22	B,C,D,E,F	1.250-18 UNEF	0.280	7.1	1.370	34.8	1.120	28.4
15	24	B,C,D,E,F	1.375-18 UNEF	0.280	7.1	1.500	38.1	1.250	31.8
16	24,28	A	1.438-18 UNEF	0.280	7.1	1.560	39.6	1.310	33.3
17	28	B,C,D,E,F	1.625-18 UNEF	0.280	7.1	1.750	44.5	1.500	38.1
18	32	A	1.750-18 UNS	0.280	7.1	1.870	47.5	1.620	41.1
19	32	D,E,F	1.875-16 UN	0.280	7.1	2.000	50.8	1.750	44.5
20	32	B,C	1.906-18	0.280	7.1	2.030	51.6	1.780	45.2
21	36	A	2.000-18 UNS	0.280	7.1	2.120	53.8	1.870	47.5
22	36	D	2.063-16 UNS	0.310	7.9	2.180	55.4	1.930	49.0
23	36	C	2.063-20	0.280	7.1	2.180	55.4	1.930	49.0
24	36	E,F	2.125-16 UN	0.310	7.9	2.250	57.2	2.000	50.8
25	36	B	2.125-18	0.280	7.1	2.250	57.2	2.000	50.8
26	40	A	2.250-16 UN	0.310	7.9	2.370	60.2	2.120	53.8
27	40	D	2.313-16 UNS	0.310	7.9	2.430	61.7	2.180	55.4
28	40	B,E,F	2.375-16 UN	0.310	7.9	2.500	63.5	2.250	57.2
29	44	B,F	2.625-16 UN	0.310	7.9	2.750	69.9	2.500	63.5
30	48	F	2.813-18	0.280	7.1	2.930	74.4	2.680	68.1
31	48	B	2.875-16 UN	0.310	7.9	3.000	76.2	2.750	69.9

A THREAD
CLASS 2B

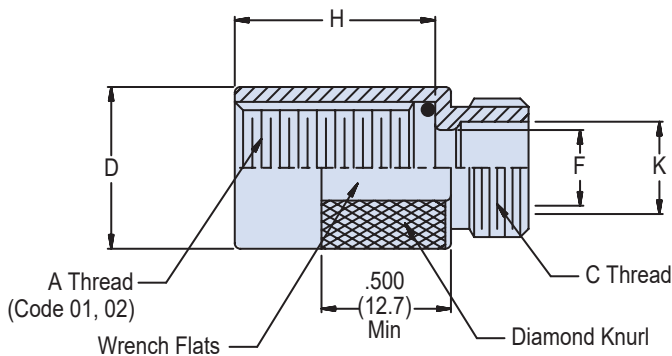
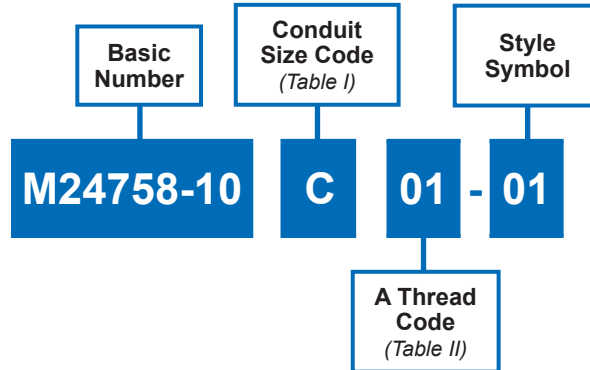
A THREAD
CLASS 2B

A THREAD
CLASS 2A

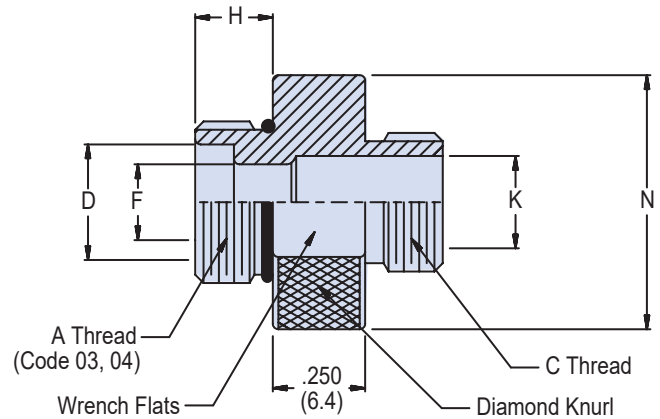


1. If the specific manufacturer is not known, order symbol A and corresponding dash number, for MS universal fit.
2. Symbol A mates with all connectors for each shell size.
3. Additional transition adapters may be supplied with symbol A for each shell size, as noted.

A



Style 01
Adapter with
Internal Class 2B Thread
(Code 01 and 02)



Style 02
Adapter with
Internal Class 2B Thread
(Code 03 and 04)

APPLICATION NOTES

1. Assembly identified with manufacturer's code identification number (Glenair, part number and classification code 490).
2. The M24758-10 adapter couples triaxial connectors to M24758-2, M24758-3 or M24758-4 fittings.
3. See Table III for recommended torque values.
4. Material / Finish:
Adapter - 316 SST/electroless nickel, matte finish.
O-Ring - silicone rubber / NA.
5. Metric dimensions (mm) are indicated in parentheses.

MIL-PRF-24758-10 Adapter for Triaxial Connectors



MIL-PRF
24758A

A

TABLE I

Conduit Size Code	C Class - 2A Thread	K Dia Min	N Dia ± 0.02 (0.5)
A	.438-28 UNEF	.245 (6.2)	.687 (17.4)
B	.688-24 UNEF	.495 (12.6)	.937 (23.8)
C	.938-20 UNEF	.745 (18.9)	1.187 (30.1)
D	1.250-18 UNEF	.995 (25.3)	1.500 (38.1)
J	.563-24 UNEF	.370 (9.4)	.812 (20.6)
K	.813-20 UNEF	.620 (15.7)	1.062 (27.0)

TABLE II: A-THREAD CODE AND ADAPTER DIMENSIONS

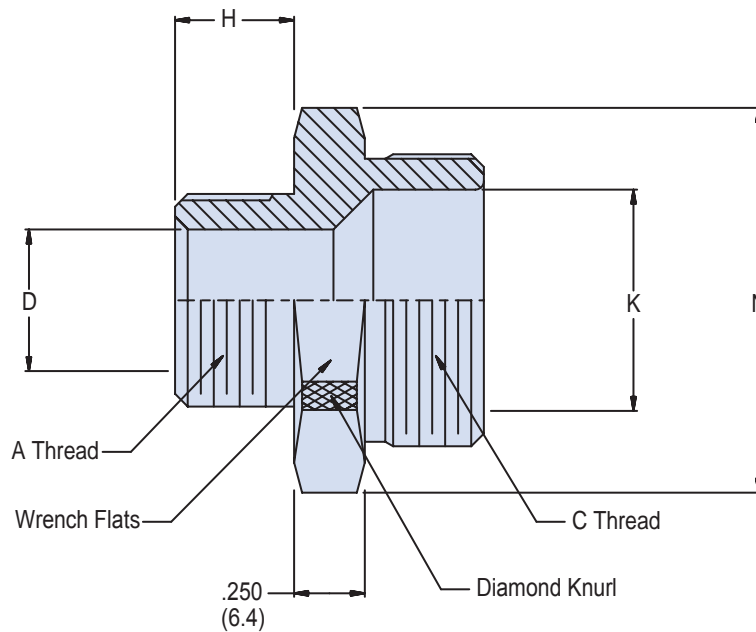
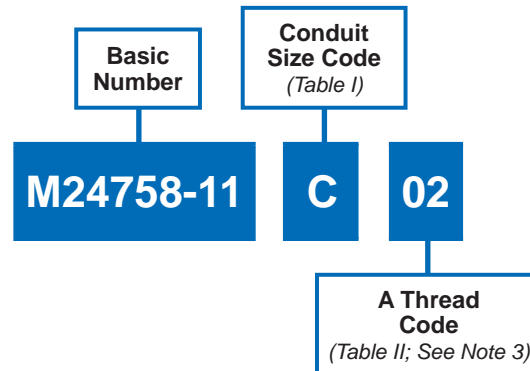
A Thread Code	Connector Part Number		A Thread	D Dia Min	F Dia Min	H ± 0.02 (0.5)	Cable (Reference)	
	ITT/Cannon	Formerly Greomar					Type	OD
01	152105-2380	5633	.750-16 UNF-2B	.875 (22.2)	.297 (7.5)	.562 (14.3)	RG-22/U	.216 (5.5)
							RG-258C/U	.195 (5.0)
02	152100-2390	7991	.875-20 UNEF-2B	1.000 (25.4)	.515 (13.1)	.500 (12.7)	RG-214/U	.425 (10.8)
							RG-98/U	.420 (10.7)
03	152190-0000	16312	1.063-18 UNEF-2A	.922 (23.4)	.564 (14.3)	.312 (7.92)	RG-14A/U	.545 (13.8)
							RG-293A/U	.545 (13.8)
							*TRF-8	.500 (12.7)
							RG-14A/U	.545 (13.8)
04		11865	1.063-18 UNEF-2A	.922 (23.4)	.564 (14.3)	.335 (8.5)	RG-293A/U	.545 (13.8)
							*TRF-8	.500 (12.7)

TABLE III: RECOMMENDED TORQUE

Conduit Size Code	A	B	C	D	J	K
C Thread ± 5 Inch lbs.	40	40	40	40	80	120

MIL-PRF-24758-11 Adapter for Coaxial Connectors

A



APPLICATION NOTES

1. Assembly identified with manufacturer's code identification number (Glenair, part number and classification code 490).
2. The M24758-11 adapter couples coaxial connectors to M24758-2, M24758-3, M24758-4 series fittings.
3. Select an A-thread from table II which matches that of the back of the nut on the connector being used. If none of the A-threads match, substitute the desired A-thread information in lieu of the A-thread code in the part number. For example: A fitting for a 0.500" conduit with a 0.5-28 A-thread of 0.313' H-length would have the part number: M24758-11B0.5-28-0.313.
5. Material / Finish:
Adapter - 316 / electroless nickel, matte finish
6. Metric dimensions (mm) are indicated in parentheses.
7. See M24758-2, -3, -4 torque values for C thread.

**MIL-PRF-24758-11
Adapter for Coaxial Connectors**



MIL-PRF
24758A

A

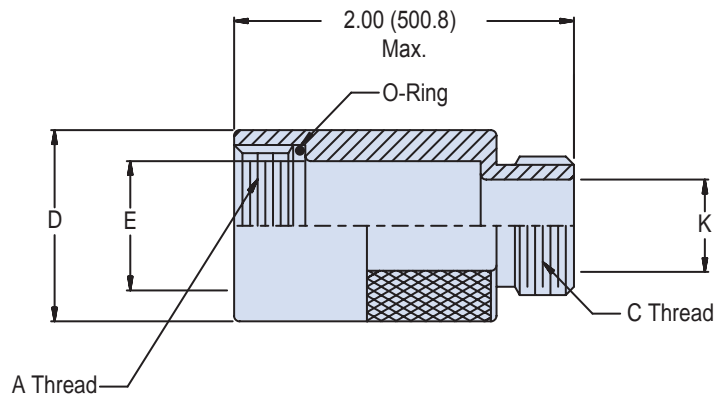
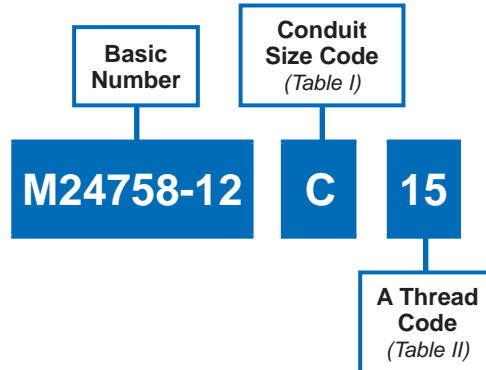
TABLE I

CONDUIT SIZE CODE	C CLASS - 2A THREAD	K DIA MIN	N DIA ± .02 (0.5)
A	.438-28 UNEF	.245 (6.22)	.687 (17.4)
B	.688-24 UNEF	.495 (12.57)	.937 (23.8)
C	.938-20 UNEF	.745 (18.92)	1.187 (30.1)
D	1.250-18 UNEF	.995 (25.27)	1.500 (38.1)
E	1.563-18 UNEF	1.245 (31.62)	1.812 (46.0)
J	.563-24 UNEF	.370 (9.40)	.812 (20.6)
K	.813-20 UNEF	.620 (15.75)	1.062 (27.0)

TABLE II: A-THREAD CODE AND ADAPTER DIMENSIONS

A THREAD CODE	A THREAD Class 2A	H ± .03 (.76)	D DIA ±.02 (.51)	CABLE (REFERENCE)	
				TYPE	OD
02	.375-32 UNEF	.210 (5.33)	.226 (5.74)	RG-58, RG-233	.195 (4.95) .216 (54.86)
04	.438-28 UNEF	.250 (6.35)	.345 (8.76)	RG-5, RG-21	.332 (8.43)
06	.625-24 UNEF	.310 (7.87)	.433 (10.83)	RG-9, RG-214	.420 (10.67) .425 (10.80)
08	.688-24 UNEF	.310 (7.87)	.568 (14.43)	RG-14, RG-293	.545 (13.84)
10	.938-20 UNEF	.310 (7.87)	.650 (16.51)	RG-57, RG-294	.625 (15.88) .630 (16.00)
12	.813-20 UNEF	.310 (7.87)	.895 (22.73)	RG-17	.870 (22.10)

A



APPLICATION NOTES

1. Assembly identified with manufacturer's code identification number (Glenair, part number and classification code 490).
2. The M24758-12 adapter couples MIL-C-26482 series I connectors (series MS3100, MS3111 or MS3116) to M24758-2, M24758-3 or M24758-4 series fittings.
3. For MIL-DTL-26482 series II, the M24758-13 adapter shall be used.
4. See Glenair Circular Connector Accessories catalog for recommended torque values, Group 1.
5. Material / Finish:
Adapter - 316 / electroless nickel, matte finish.
6. Metric dimensions (mm) are indicated in parentheses.
7. See M24758-2, -3, -4 torque values for C thread.

**MIL-PRF-24758-12
Adapter for MIL-C-26482
Solder Type Series I Connectors**



MIL-PRF
24758A

A

TABLE I

CONDUIT SIZE CODE	C CLASS - 2A THREAD	K DIA MIN
A	.438-28 UNEF	.245 (6.22)
B	.688-24 UNEF	.495 (12.57)
C	.938-20 UNEF	.745 (18.92)
D	1.250-18 UNEF	.995 (25.27)
E	1.563-18 UNEF	1.245 (31.62)
F	1.875-16 UN	1.495 (37.97)
G	2.375-16 UN	1.995 (50.67)
H	2.875-16 UN	2.495 (63.37)
J	.563-24 UNEF	.370 (9.340)
K	.813-20 UNEF	.620 (15.75)
L	3.375-16 UN	2.995 (76.07)

TABLE II: A-THREAD CODE AND ADAPTER DIMENSIONS

A THREAD CODE	CONN SHELL SIZE	A CLASS - 2B THREAD	D DIA ± .02 (.51)	E DIA ± .02 (.51)
07	8	.438-28 UNEF	.590 (14.99)	.340 (8.64)
09	10	.563-24 UNEF	.710 (18.03)	.450 (11.43)
11	12	.688-24 UNEF	.840 (21.34)	.580 (14.73)
13	14	.813-20 UNEF	.960 (24.38)	.680 (17.27)
15	16	.938-20 UNEF	1.090 (27.69)	.810 (20.57)
17	18	1.063-18 UNEF	1.210 (30.73)	.930 (23.62)
19	20	1.188-18 UNEF	1.340 (34.04)	1.060 (26.92)
21	22	1.313-18 UNEF	1.460 (37.08)	1.180 (29.97)
23	24	1.438-18 UNEF	1.590 (40.39)	1.310 (33.27)

MIL-PRF-24758-13 Adapter for MS-3155 Type Connectors

A

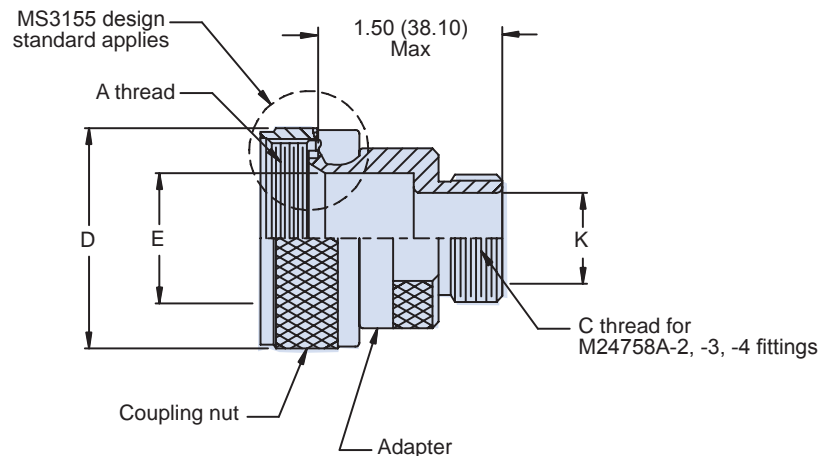
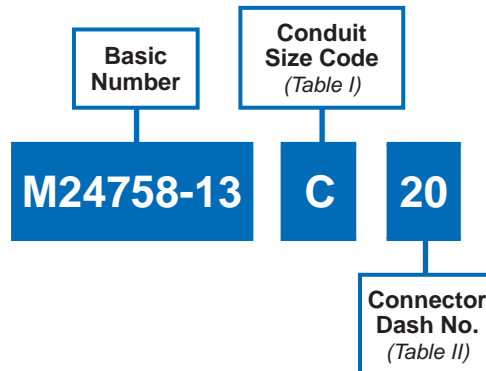


TABLE I		
CONDUIT SIZE CODE	C CLASS - 2A THREAD	K DIA MIN
A	.438-28 UNEF	.245 (6.22)
B	.688-24 UNEF	.495 (12.57)
C	.938-20 UNEF	.745 (18.92)
D	1.250-18 UNEF	.995 (25.27)
E	1.563-18 UNEF	1.245 (31.62)
F	1.875-16 UN	1.495 (37.97)
G	2.375-16 UN	1.995 (50.67)
H	2.875-16 UN	2.495 (63.37)
J	.563-24 UNEF	.370 (9.40)
K	.813-20 UNEF	.620 (15.75)
L	3.375-16 UN	2.995 (76.07)

APPLICATION NOTES

1. Assembly identified with manufacturer's code identification number (Glenair, part number and classification code 490).
2. The M24758-13 adapter couples connectors listed in table II to M24758-2, M24758-3 or M24758-4 series conduit fittings.
3. The coupling nut end of this adapter shall conform to military standard MS3155 (Navy), "Connector, electric, rear accessory design standard." MS3155 takes precedence over this specification.
4. The E diameter and M thread of this drawing are the same as the E diameter and M thread of MS3155, and are included for reference purposes.
5. See Glenair Circular Connector Accessories catalog for recommended torque values, Group 2.
6. Material/Finish:
Adapter, coupling nut, 316 / electroless nickel, matte finish.
7. Metric dimensions (mm) are indicated in parentheses.

MIL-PRF-24758-13 Adapter for MS-3155 Type Connectors



MIL-PRF
24758A

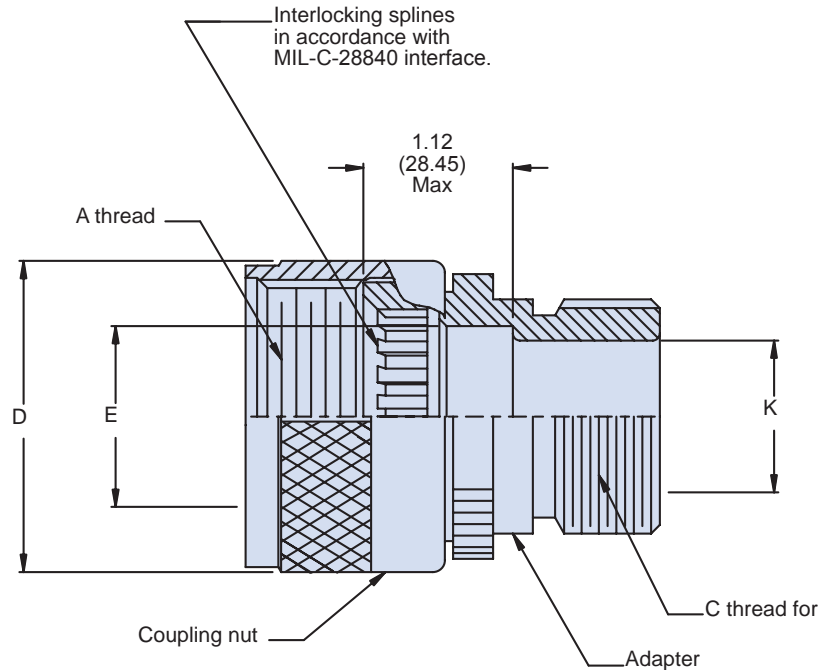
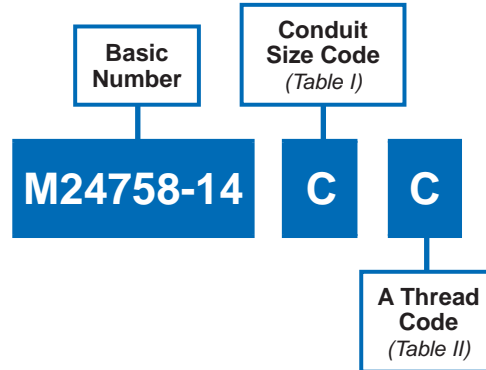
A

TABLE II: CONNECTOR DASH NUMBERS AND FITTING DIMENSIONS

CONN DASH NO.	NAS 1599 & MIL-DTL-83723 (SERIES 1 & 3)	MIL-DTL-5015 (MS3400 SERIES)	AS81703 (NAVY) (SERIES 3)	MIL-DTL-26482 (SERIES 2) (MS347X)	A CLASS - 2B THREAD	D DIA MAX	E DIA REF	Y (Style 01) .03 (0.8)
03	--	--	03	--	.562-24 UNEF	.669 (16.99)	.270 (6.86)	.620 (15.7)
08	08	8S	--	08	.500-20 UNF	.617 (15.67)	.270 (6.86)	.620 (15.7)
10	10	10S, 10SL	--	10	.625-24 UNEF	.734 (18.64)	.375 (9.53)	.690 (17.5)
12	12	12, 12S	07	12	.750-20 UNEF	.858 (21.79)	.511 (12.98)	.690 (17.5)
14	14	14, 14S	12	14	.875-20 UNEF	.984 (24.99)	.585 (14.86)	.750 (19.1)
16	16	16, 16S	19	16	1.000-20 UNEF	1.112 (28.24)	.710 (18.03)	.750 (19.1)
18	18	18	27	18	1.062-18 UNEF	1.218 (30.98)	.789 (20.04)	.750 (19.1)
20	20	20	37	20	1.188-18 UNEF	1.345 (34.16)	.914 (23.22)	.810 (20.6)
22	22	22	--	22	1.312-18 UNEF	1.468 (37.29)	1.039 (26.39)	.810 (20.6)
24	24	24	--	24	1.438-18 UNEF	1.593 (40.46)	1.154 (29.31)	.810 (20.6)
28	--	28	--	--	1.750-18 UNS	1.969 (50.01)	1.389 (35.28)	.880 (22.4)
32	--	32	--	--	2.000-18 UNS	2.219 (56.36)	1.635 (41.53)	.880 (22.4)
36	--	36	--	--	2.250-16 UN	2.469 (62.71)	1.850 (46.99)	.880 (22.4)
40	--	40	--	--	2.500-16 UN	2.719 (69.06)	2.065 (52.45)	.940 (23.9)
44	--	44	--	--	2.750-16 UN	2.969 (75.41)	2.320 (58.93)	.940 (23.9)
48	--	48	--	--	3.000-16 UN	3.219 (81.76)	2.570 (65.28)	.940 (23.9)
61	--	--	61	--	1.500-18 UNEF	1.653 (41.99)	1.194 (30.33)	.810 (20.6)

MIL-PRF-24758-14 Adapter for MIL-DTL-28840 Connectors

A



APPLICATION NOTES

1. Assembly identified with manufacturer's code identification number (Glenair, part number and classification code 490).
2. The M24758-14 adapter provides an environmental coupling between MIL-C-28840 (EC) connectors and M24758-2, M24758-3, or M24758-4 series fittings.
3. See Glenair Circular Connector Accessories catalog for recommended torque values, Group 2.
4. Material / Finish:
Adapter, coupling nut, 316 / electroless nickel, matte finish.
5. Metric dimensions (mm) are indicated in parentheses.

MIL-PRF-24758-14
Adapter for MIL-DTL-28840 Connectors



MIL-PRF
24758A

A

TABLE I

CONDUIT SIZE CODE	C CLASS - 2A THREAD	K DIA MIN	N DIA ± .02 (0.5)
A	.438-28 UNEF	.245 (6.22)	.687 (17.4)
B	.688-24 UNEF	.495 (12.57)	.937 (23.8)
C	.938-20 UNEF	.745 (18.92)	1.187 (30.1)
D	1.250-18 UNEF	.995 (25.27)	1.500 (38.1)
E	1.563-18 UNEF	1.245 (31.62)	1.812 (46.0)
F	1.875-16 UN	1.495 (37.97)	2.125 (54.0)
G	2.375-16 UN	1.995 (50.67)	2.625 (66.7)
H	2.875-16 UN	2.495 (63.37)	3.125 (79.4)
J	.563-24 UNEF	.370 (9.40)	.812 (20.6)
K	.813-20 UNEF	.620 (15.75)	1.062 (27.0)
L	3.375-16 UN	2.995 (76.07)	3.625 (92.1)

TABLE II: A-THREAD CODE AND ADAPTER DIMENSIONS

A THREAD CODE	SHELL SIZE (REF)	A CLASS - 2B THREAD	D DIA MAX	E DIA + .01 (.25) - .00
A	11	.750-20 UNEF	1.028 (26.11)	.357 (9.07)
B	13	.875-20 UNEF	1.141 (28.98)	.492 (12.50)
C	15	1.000-20 UNEF	1.263 (30.08)	.637 (16.18)
D	17	1.125-18 UNEF	1.387 (35.23)	.734 (18.64)
E	19	1.250-18 UNEF	1.513 (38.43)	.866 (22.00)
F	23	1.438-18 UNEF	1.703 (43.26)	1.063 (27.00)
G	25	1.562-18 UNEF	1.825 (46.36)	1.195 (30.35)
H	29	1.875-16 UN	2.143 (54.43)	1.432 (36.37)
J	33	2.062-16 UNS	2.329 (59.16)	1.630 (41.40)

MIL-PRF-24758-15

Adapter for MIL-S-24235 Stuffing Tubes

A

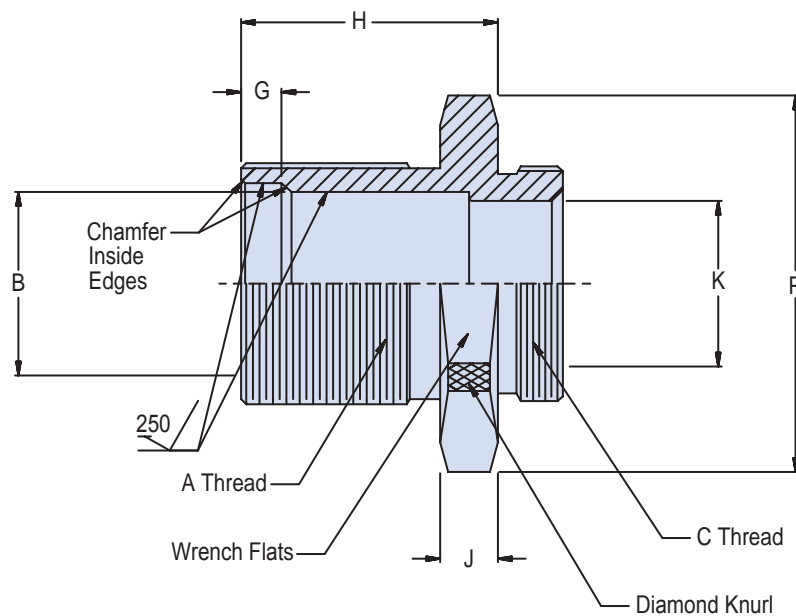
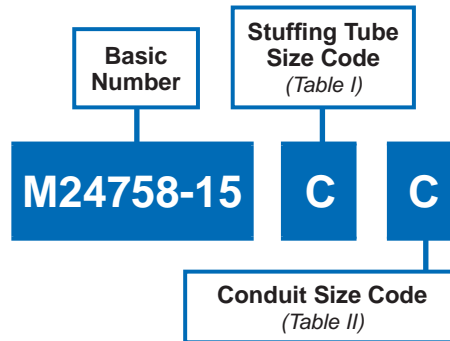


TABLE II

CONDUIT SIZE CODE	C CLASS - 2A THREAD	K DIA MIN
A	.438-28 UNEF	.245 (6.22)
B	.688-24 UNEF	.495 (12.57)
C	.938-20 UNEF	.745 (18.92)
D	1.250-18 UNEF	.995 (25.27)
E	1.563-18 UNEF	1.245 (31.62)
F	1.875-16 UN	1.495 (37.97)
G	2.375-16 UN	1.995 (50.67)
H	2.875-16 UN	2.495 (63.37)
J	.563-24 UNEF	.370 (9.40)
K	.813-20 UNEF	.620 (15.75)
L	3.375-16 UN	2.995 (76.07)

APPLICATION NOTES

1. Assembly identified with manufacturer's code identification number (Glenair, part number and classification code 490).
2. The M24758-15 adapter couples MIL-S-24235/9 through MIL-S-24235/17 stuffing tubes to M24758-2, M24758-3 or M24758-4 series fittings.
3. Material / Finish:
Adapter - 316 / electroless nickel, matte finish
4. Metric dimensions (mm) are indicated in parentheses.

MIL-PRF-24758-15 Adapter for MIL-S-24235 Stuffing Tubes



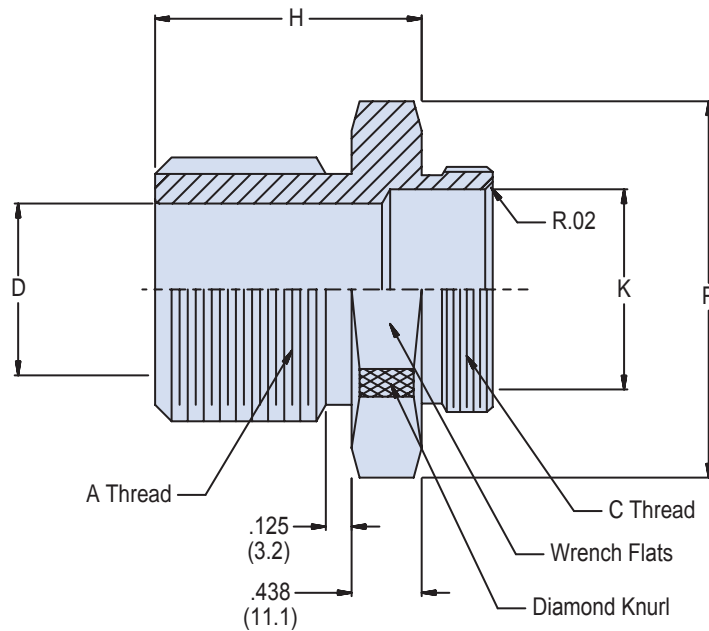
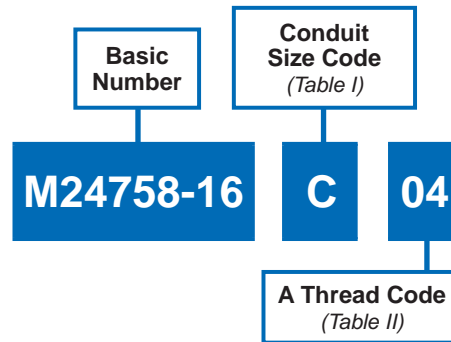
MIL-PRF
24758A

A

TABLE I

MIL-S-24235 /9, 17 STUFFING TUBE SIZE	CONDUIT SIZE CODE	A CLASS - 2A THREAD	B DIA	G DIM	H DIM ±.02 (.51)	J DIM ±.02 (.51)	P MAX DIA
A	A, B, J	.875-12 UN	.406 (10.31)	.250 (6.4)	1.063 (27.00)	.188 (4.78)	1.375 (34.93)
B	B	1.000-12 UN	.515 (13.08)	.250 (6.4)	1.063 (27.00)	.188 (4.78)	1.500 (38.10)
C	B, C, K	1.125-12 UN	.640 (16.26)	.250 (6.4)	1.063 (27.00)	.188 (4.78)	1.625 (41.28)
D	C, K	1.250-12 UN	.750 (19.05)	.250 (6.4)	1.063 (27.00)	.188 (4.78)	1.750 (44.45)
E	C, D, K	1.250-12 UN	.812 (20.62)	.250 (6.4)	1.063 (27.00)	.188 (4.78)	1.750 (44.45)
F	D	1.313-12 UN	.843 (21.41)	.250 (6.4)	1.188 (30.18)	.188 (4.78)	1.812 (46.02)
G	D	1.500-12 UN	.935 (23.75)	.250 (6.4)	1.188 (30.18)	.188 (4.78)	2.000 (50.80)
J	E	1.625-12 UN	1.062 (26.97)	.250 (6.4)	1.188 (30.18)	.188 (4.78)	2.125 (53.98)
K	E	1.750-12 UN	1.171 (29.74)	.250 (6.4)	1.500 (38.10)	.188 (4.78)	2.250 (57.15)
L	E	1.813-12 UN	1.265 (32.13)	.250 (6.4)	1.500 (38.10)	.188 (4.78)	2.312 (28.72)
M	E, F	2.000-12 UN	1.406 (35.71)	.250 (6.4)	1.500 (38.10)	.188 (4.78)	2.500 (63.50)
N	F	2.063-12 UN	1.515 (38.48)	.250 (6.4)	1.563 (39.70)	.250 (6.35)	2.625 (66.68)
P	G	2.188-12 UN	1.625 (41.28)	.250 (6.4)	1.563 (39.70)	.250 (6.35)	2.750 (69.85)
R	G	2.313-12 UN	1.750 (44.45)	.250 (6.4)	1.563 (39.70)	.250 (6.35)	2.875 (73.03)
S	G	2.688-12 UN	1.875 (47.63)	.375 (9.5)	2.188 (55.58)	.313 (7.95)	3.250 (82.55)
T	G	2.875-12 UN	2.062 (52.37)	.375 (9.5)	2.188 (55.58)	.313 (7.95)	3.500 (88.90)
V	G	3.000-12 UN	2.187 (55.55)	.375 (9.5)	2.188 (55.58)	.313 (7.95)	3.625 (92.08)
W	G, H	3.125-12 UN	2.312 (58.72)	.375 (9.5)	2.188 (55.58)	.313 (7.95)	3.750 (95.25)
X	H	3.250-12 UN	2.500 (63.50)	.375 (9.5)	2.188 (55.58)	.313 (7.95)	3.875 (98.43)
Y	H	3.375-12 UN	2.609 (66.27)	.375 (9.5)	2.188 (55.58)	.313 (7.95)	4.000 (101.60)
Z	H	3.563-12 UN	2.781 (70.64)	.375 (9.5)	2.188 (55.58)	.313 (7.95)	4.250 (107.95)
AA	H	3.750-12 UN	2.875 (73.03)	.375 (9.5)	3.125 (79.38)	.438 (11.13)	4.500 (114.30)
BB	H, L	4.000-12 UN	3.157 (80.19)	.375 (9.5)	3.125 (79.38)	.438 (11.13)	4.750 (120.65)

A



APPLICATION NOTES

1. Assembly identified with manufacturer's code identification number (Glenair, part number and classification code 490).
2. The M24758-16 adapter couples miscellaneous fittings to M24758-2, MS24758-3 or M24758-4 series fittings.
3. The American national thread series (N) has been superseded by the unified thread series (UN) the series N-thread sizes listed in table II are retained for use with those items which have series N-threads.
4. Material / Finish:
Adapter, - 316 / electroless nickel, matte finish.
5. Metric dimensions (mm) are indicated in parentheses.

MIL-PRF-24758-16
Adapter for Miscellaneous Fittings



MIL-PRF
24758A

A

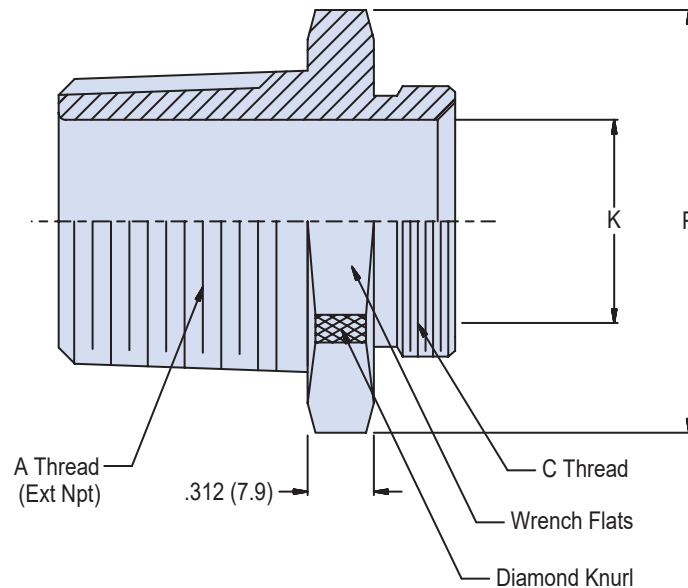
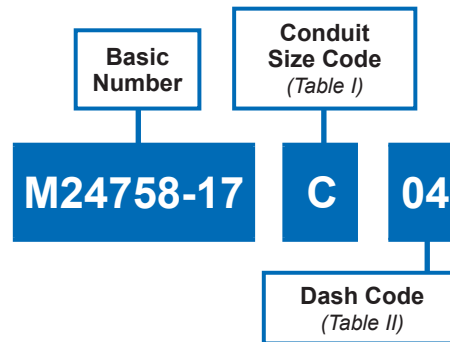
TABLE I

CONDUIT SIZE CODE	C CLASS - 2A THREAD	K DIA MIN
A	.438-28 UNEF	.245 (6.22)
B	.688-24 UNEF	.495 (12.57)
C	.938-20 UNEF	.745 (18.92)
D	1.250-18 UNEF	.995 (25.27)
E	1.563-18 UNEF	1.245 (31.62)
F	1.875-16 UN	1.495 (37.97)
G	2.375-16 UN	1.995 (50.67)
H	2.875-16 UN	2.495 (63.37)
J	.563-24 UNEF	.370 (9.40)
K	.813-20 UNEF	.620 (15.75)
L	3.375-16 UN	2.995 (76.07)

TABLE II

A THREAD CODE	A CLASS - 2A THREAD	D DIA ± .005 (.13)	H DIM ± .02 (.51)	P DIM MAX	CONDUIT SIZE
01	1.125-14 N	.500 (12.70)	1.250 (31.75)	1.625 (41.28)	A, B
03	1.280-14 N	.750 (19.05)	1.250 (31.75)	1.750 (44.45)	A-C
04	.750-14 NPSM	.750 (19.05)	1.250 (31.75)	1.500 (38.10)	A-C
06	1.000-11 1/2 NPSM	1.000 (25.40)	1.250 (31.75)	1.750 (44.45)	A-D
07	1.250-11 1/2 NPSM	1.000 (25.40)	1.250 (31.75)	2.000 (50.80)	A-D
09	1.250-11 1/2 NPSM	1.180 (29.97)	1.250 (31.75)	2.000 (50.80)	A-E
10	2.025-11 1/2 N	1.250 (31.75)	1.560 (39.62)	2.875 (73.03)	A-E
13	2.250-11 1/2 N	1.500 (38.10)	1.690 (42.93)	3.250 (82.55)	A-F
16	2.500-8 NPSM	2.000 (50.80)	2.000 (50.80)	3.500 (88.90)	A-G
19	3.000-8 NPSM	2.500 (63.50)	2.060 (25.32)	4.000 (101.60)	A-H
20	1.500-11 1/2 NPSM	1.500 (38.10)	1.250 (31.75)	2.500 (63.50)	A-D
21	2.000-11 1/2 NPSM	2.000 (50.80)	1.250 (31.75)	3.000 (76.20)	A-G

A



APPLICATION NOTES

1. Assembly identified with manufacturer's code identification number (Glenair, part number and classification code 490).
2. The M24758-17 adapter couples any fittings that have a female tapered pipe thread to M24758-2, M24758-3 or M24758-4 fittings.
3. Material / Finish: Adapter, - 316 / electroless nickel, matte finish.
4. Metric dimensions (mm) are indicated in parentheses.

**MIL-PRF-24758-17
Adapter for Tapered Pipe Thread**



MIL-PRF
24758A

A

TABLE I

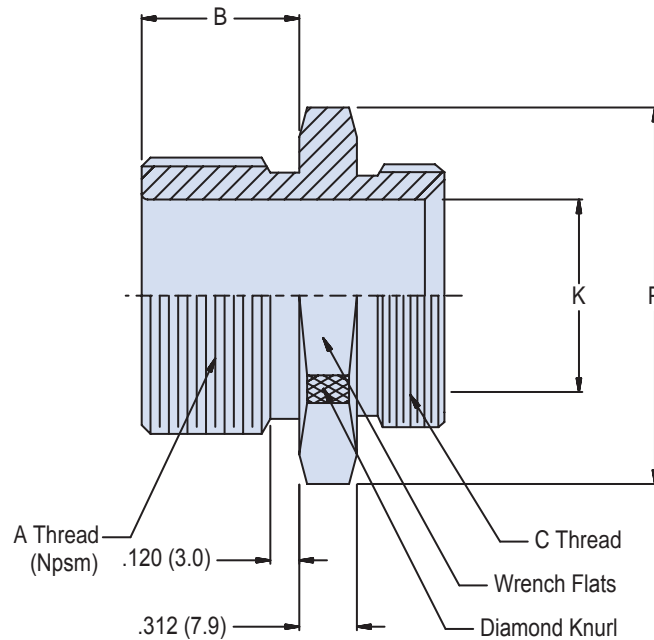
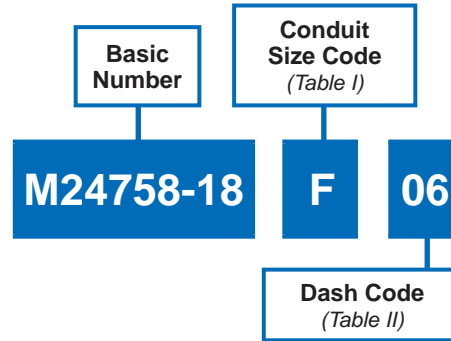
CONDUIT SIZE CODE	C CLASS - 2A THREAD	K DIA MIN	MAX ENTRY DASH NUMBER
A	.438-28 UNEF	.245 (6.22)	01
B	.688-24 UNEF	.495 (12.57)	03
C	.938-20 UNEF	.745 (18.92)	04
D	1.250-18 UNEF	.995 (25.27)	05
E	1.563-18 UNEF	1.245 (31.62)	06
F	1.875-16 UN	1.495 (37.97)	07
G	2.375-16 UN	1.995 (50.67)	08
H	2.875-16 UN	2.495 (63.37)	09
J	.563-24 UNEF	.370 (9.40)	02
K	.813-20 UNEF	.620 (15.75)	04
L	3.375-16 UN	2.995 (76.07)	10

TABLE II

DASH NUMBER	A EXTERNAL TAPER PIPE THREAD	P DIA MAX
01	.250-18 NPT	1.000 (25.40)
02	.375-18 NPT	1.130 (28.70)
03	.500-14 NPT	1.250 (31.75)
04	.750-14 NPT	1.500 (38.10)
05	1.000-11.5 NPT	1.750 (44.45)
06	1.250-11.5 NPT	2.130 (54.10)
07	1.500-11.5 NPT	2.380 (60.45)
08	2.000-11.5 NPT	2.880 (73.15)
09	2.500-8 NPT	3.380 (85.85)
10	3.000-8 NPT	4.130 (104.90)

MIL-PRF-24758-18 Adapter for Straight Pipe Thread

A



APPLICATION NOTES

1. Assembly identified with manufacturer's code identification number (Glenair, part number and classification code 490).
2. The M24758-18 adapter couples any fittings having a female straight pipe thread to M24758-2, M24758-3 or M24758-4 fittings.
3. Material / Finish:
Adapter, - 316 / electroless nickel, matte finish.
4. Metric dimensions (mm) are indicated in parentheses.

MIL-PRF-24758-18
Adapter for Straight Pipe Thread



MIL-PRF
24758A

A

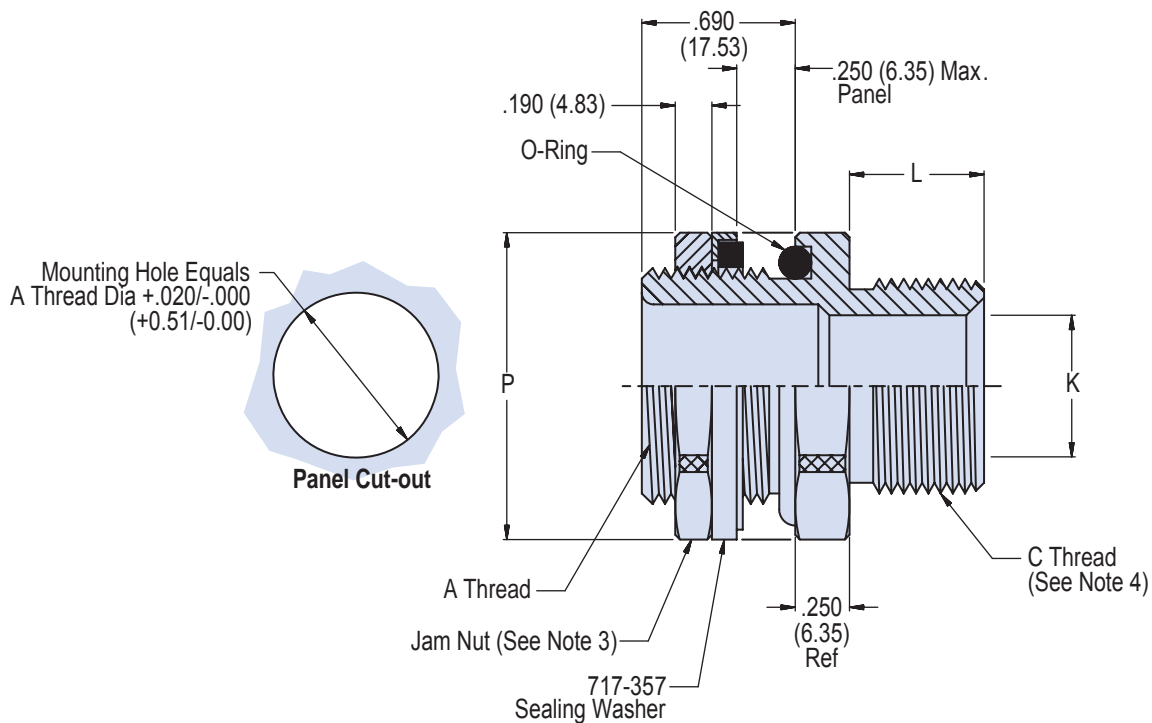
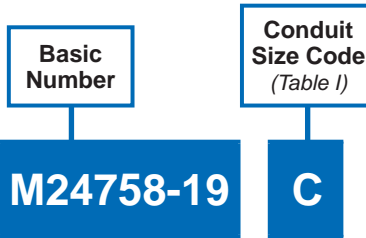
TABLE I

CONDUIT SIZE CODE	C Class 2A Thread	K DIA MIN	P DIA MAX	MAX ENTRY DASH NUMBER
A	.438-28 UNEF	.245 (6.22)	1.000 (25.40)	01
B	.688-24 UNEF	.495 (12.57)	1.250 (31.75)	03
C	.938-20 UNEF	.745 (18.92)	1.500 (38.10)	04
D	1.250-18 UNEF	.995 (25.27)	1.750 (44.45)	05
E	1.563-18 UNEF	1.245 (31.62)	2.130 (54.10)	06
F	1.875-16 UN	1.495 (37.97)	2.380 (60.45)	07
G	2.375-16 UN	1.995 (50.67)	2.880 (73.15)	08
H	2.875-16 UN	2.495 (63.37)	3.380 (85.85)	09
J	.563-24 UNEF	.370 (9.40)	1.130 (28.70)	02
K	.813-20 UNEF	.620 (15.75)	1.630 (41.40)	04
L	3.375-16 UN	2.995 (76.07)	4.130 (104.90)	10

TABLE II

DASH NUMBER	A EXTERNAL TAPER PIPE THREAD	B DIM ±.02 (0.5)
01	.250-18 NPSM	.750 (19.1)
02	.375-18 NPSM	.750 (19.1)
03	.500-14 NPSM	.870 (22.1)
04	.750-14 NPSM	.870 (22.1)
05	1.000-11.5 NPSM	.870 (22.1)
06	1.250-11.5 NPSM	.870 (22.1)
07	1.500-11.5 NPSM	1.000 (25.4)
08	2.000-11.5 NPSM	1.190 (30.2)
09	2.500-8 NPSM	1.620 (41.1)
10	3.000-8 NPSM	1.690 (42.9)

A



APPLICATION NOTES

1. Assembly identified with manufacturer's code identification number (Glenair, part number and classification code 490).
2. The M24758-19 adapter provides the capability of terminating a M24758-2, M24758-3 or M24758-4 series fitting to a panel.
3. Use Glenair 600-176 jam nut wrench.
4. See M24758-2 for C thread torque values.
5. Metric dimensions (mm) are indicated in parentheses.
6. Material / Finish:
Adapter, jam nut - 316 electroless nickel, matte finish
O-Ring - silicone rubber/N.A.
Sealing washer - See individual drawing.

MIL-PRF-24758-19
Adapter for Panel Termination



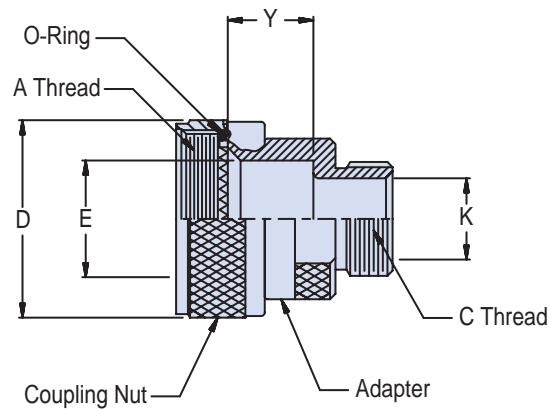
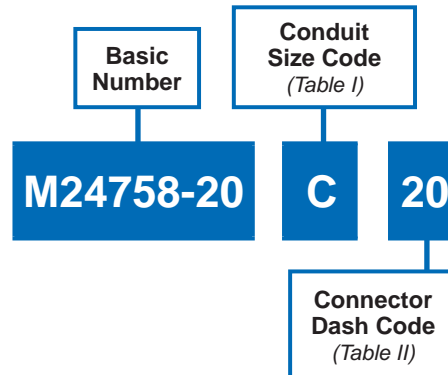
MIL-PRF
24758A

A

TABLE I						
CONDUIT SIZE CODE	A CLASS - 2A THREAD	P DIA	C CLASS - 2A THREAD	L + .030 - .00 +(0.76 -.00)	K DIA MIN	RECOMMENDED TORQUE VALUES INCH LBS (SEE NOTE 3)
A	.625-24 UNEF	.970 (24.6)	.438-28 UNEF	.210 (5.3)	.245 (6.22)	40 - 50
B	.875-20 UNEF	1.240 (31.5)	.688-24 UNEF	.250 (6.4)	.495 (12.6)	50 - 60
BC	1.188-18 UNEF	1.580 (40.1)	.688-24 UNEF	.250 (6.4)	.495 (12.6)	
C	1.188-18 UNEF	1.580 (40.1)	.938-20 UNEF	.310 (7.9)	.745 (19.0)	
CK	1.000-20 UNEF	1.530 (38.9)	.938-20 UNEF	.310 (7.9)	.745 (19.0)	80 - 90
D	1.438-18 UNEF	1.840 (46.7)	1.250-18 UNEF	.370 (9.4)	.995 (25.3)	
E	1.750-16 UN	2.180 (55.4)	1.563-18 UNEF	.370 (9.4)	1.245 (31.6)	100 - 110
F	2.000-16 UN	2.410 (61.2)	1.875-16 UN	.430 (10.9)	1.495 (38.0)	
G	2.500-16 UN	2.980 (75.7)	2.375-16 UN	.430 (10.9)	1.995 (50.7)	150 - 160
H	3.000-16 UN	3.410 (86.6)	2.875-16 UN	.430 (10.9)	2.495 (63.4)	
J	.750-20 UNEF	1.160 (29.5)	.563-24 UNEF	.250 (6.4)	.370 (9.4)	50 - 60
K	1.000-20 UNEF	1.530 (38.9)	.813-20 UNEF	.310 (7.9)	.620 (15.8)	
L	3.500-16 UN	4.060 (103.1)	3.375-16 UN	.430 (10.9)	2.995 (76.1)	150 - 160

NOTE: Panel Cut-Out is +.016 (0.41) -.000 over A Thread Size.

A



APPLICATION NOTES

1. Assembly identified with manufacturer's code identification number (Glenair, part number and classification code 490).
2. The M24758-20 adapter couples connectors listed in table II to M24758-2, M24758-3 or M24758-4 series fittings.
3. The coupling nut end of this adapter shall conform to AS85049.
4. The E diameter and M thread of this drawing are the same as AS85049 and are included for reference purposes.
5. See Glenair Circular Connector Accessories catalog for recommended torque values.
6. Material / Finish:
Adapter, coupling nut, 316 / electroless nickel, matte finish,
O-ring - silicone rubber N/A.
7. Metric dimensions (mm) are indicated in parentheses.

TABLE I

CONDUIT SIZE CODE	C CLASS - 2A THREAD	K DIA MIN
A	.438-28 UNEF	.245 (6.22)
B	.688-24 UNEF	.495 (12.57)
C	.938-20 UNEF	.745 (18.92)
D	1.250-18 UNEF	.995 (25.27)
E	1.563-18 UNEF	1.245 (31.62)
F	1.875-16 UN	1.495 (37.97)
G	2.375-16 UN	1.995 (50.67)
H	2.875-16 UN	2.495 (63.37)
J	.563-24 UNEF	.370 (9.40)
K	.813-20 UNEF	.620 (15.75)
L	3.375-16 UN	2.995 (76.07)

MIL-PRF-24758-20
Adapter for MIL-DTL-38999 Connectors



MIL-PRF
24758A

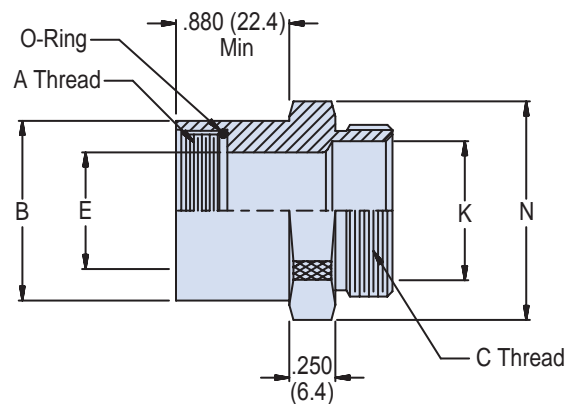
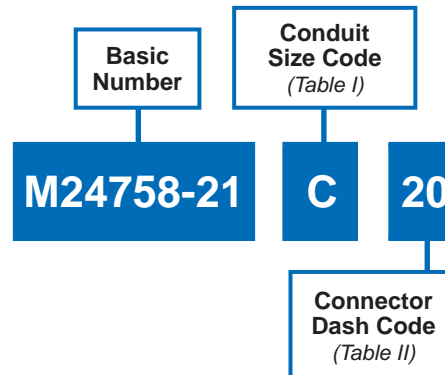
A

TABLE II: CONNECTOR DASH NUMBERS AND FITTING DIMENSIONS

CONN DASH NO.	MIL-DTL-38999 SERIES 1 & 2	MIL-DTL-38999 SERIES 3 & 4	A Class - 2B THREAD	D DIA MAX	E DIA REF	Y (Style 01) ± .03 (0.8)
08	08	--	.438-28 UNEF	.860 (21.84)	.269 (6.83)	.620 (15.7)
10	10	--	.562-24 UNEF	.980 (24.89)	.402 (10.21)	.620 (15.7)
12	12	--	.688-24 UNEF	1.160 (29.46)	.516 (13.11)	.620 (15.7)
14	14	--	.812-20 UNEF	1.280 (32.51)	.641 (16.28)	.620 (15.7)
16	16	--	.938-20 UNEF	1.410 (35.81)	.766 (19.46)	.750 (19.1)
18	18	--	1.062-18 UNEF	1.520 (38.61)	.863 (21.92)	.750 (19.1)
20	20	--	1.188-18 UNEF	1.640 (41.66)	.988 (25.10)	.750 (19.1)
22	22	--	1.312-18 UNEF	1.770 (44.96)	1.113 (28.70)	.810 (20.6)
24	24	--	1.438-18 UNEF	1.890 (48.01)	1.238 (31.45)	.810 (20.6)
09	--	A / 09	M12 X 1.0 - 6H	.860 (21.84)	.269 (6.83)	.620 (15.7)
11	--	B / 11	M15 X 1.0 - 6H	.980 (24.89)	.402 (10.21)	.620 (15.7)
13	--	C / 13	M18 X 1.0 - 6H	1.160 (29.46)	.516 (13.11)	.690 (17.5)
15	--	D / 15	M22 X 1.0 - 6H	1.280 (32.51)	.641 (16.28)	.690 (17.5)
17	--	E / 17	M25 X 1.0 - 6H	1.410 (35.81)	.766 (19.46)	.750 (19.1)
19	--	F / 19	M28 X 1.0 - 6H	1.520 (38.61)	.863 (21.92)	.750 (19.1)
21	--	G / 21	M31 X 1.0 - 6H	1.640 (41.66)	.988 (25.10)	.750 (19.1)
23	--	H / 23	M34 X 1.0 - 6H	1.770 (44.96)	1.113 (28.70)	.810 (20.6)
25	--	J / 25	M37 X 1.0 - 6H	1.890 (48.01)	1.238 (31.45)	.810 (20.6)

MIL-PRF-24758-21 Adapter for MIL-DTL-22992 Connectors

A



APPLICATION NOTES

1. Assembly identified with manufacturer's code identification number (Glenair, part number and classification code 490).
2. The M24758-21 adapter couples connectors listed in table I to M24758-2, M24758-3 or M24758-4 series fittings.
3. This adapter shall conform to military standard MIL-DTL-22992 connector.
4. The E diameter and M thread of this drawing are included for reference purposes.
5. See Glenair Circular Connector Accessories catalog for recommended torque values.
6. Material / Finish:
Adapter, coupling nut - 316 / electroless nickel, matte finish.
O-ring - silicone rubber.
7. Metric dimensions (mm) are indicated in parentheses.

MIL-PRF-24758-21
Adapter for MIL-DTL-22992 Connectors



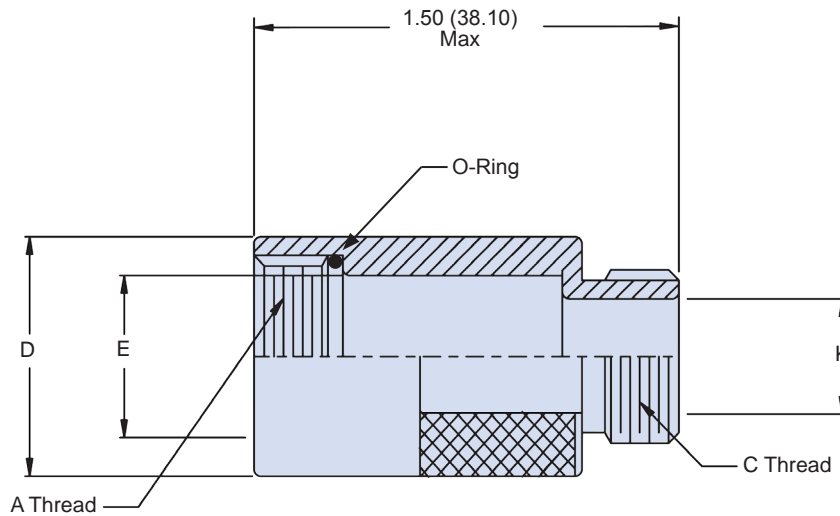
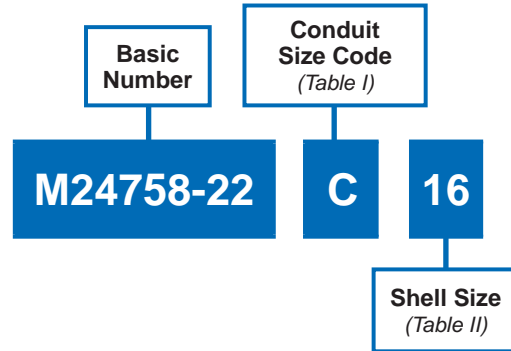
MIL-PRF
24758A

A

TABLE I		
CONDUIT SIZE CODE	C CLASS - 2A THREAD	K DIA MIN
A	.438-28 UNEF	.245 (6.22)
B	.688-24 UNEF	.495 (12.57)
C	.938-20 UNEF	.745 (18.92)
D	1.250-18 UNEF	.995 (25.27)
E	1.563-18 UNEF	1.245 (31.62)
F	1.875-16 UN	1.495 (37.97)
G	2.375-16 UN	1.995 (50.67)
H	2.875-16 UN	2.495 (63.37)
J	.563-24 UNEF	.370 (9.40)
K	.813-20 UNEF	.620 (15.75)
L	3.375-16 UN	2.995 (76.07)

TABLE II: CONNECTOR DASH NUMBERS AND ADAPTER DIMENSIONS				
CONN DASH NO.	MIL-DTL-22992	A LEFT HAND CLASS - 2B THREAD	B DIA MAX	E DIA REF
12	12	.750-20 UNEF	.858 (21.79)	.600 (15.24)
14	14	.875-20 UNEF	.984 (24.99)	.720 (18.29)
16	16	1.000-20 UNEF	1.112 (28.45)	.840 (21.34)
18	18	1.125-18 UNEF	1.218 (30.94)	.940 (23.88)
20	20	1.250-18 UNEF	1.345 (34.16)	1.100 (27.94)
22	22	1.375-18 UNEF	1.468 (37.29)	1.200 (30.48)
24	24	1.625-18 UNEF	1.593 (40.46)	1.440 (36.58)
28	28	1.875-16 UN	1.969 (50.01)	1.690 (42.93)
32	32	2.062-16 UNS	2.219 (56.34)	1.880 (47.75)
36	36	2.312-16 UN	2.469 (62.71)	2.130 (54.10)
40	40	2.625-16 UN	2.719 (69.06)	2.440 (61.98)
44	44	2.875-16 UN	2.969 (75.41)	2.750 (68.85)
48	48	3.125-16 UN	3.219 (81.76)	2.880 (73.15)

A



APPLICATION NOTES

1. Assembly identified with manufacturer's code identification number (Glenair, part number and classification code 490).
2. The M24758-22 adapter couples Glenair series 22 connectors to M24758-2, M24758-3 or M24758-4 series fittings.
3. See Glenair Circular Connector Accessories catalog for recommended torque values.
4. Material / Finish:
Adapter, coupling nut - 316 / electroless nickel, matte finish.
O-ring - silicone rubber.
5. Metric dimensions (mm) are indicated in parentheses.

MIL-PRF-24758-22
For Glenair 22 Series Adapters



MIL-PRF
24758A

A

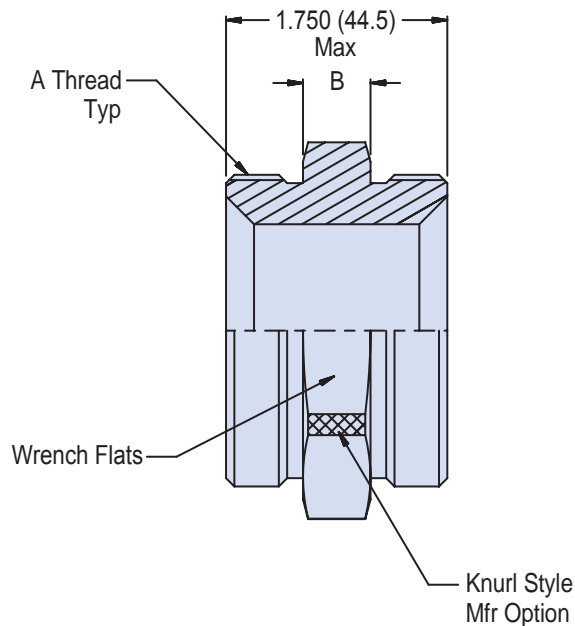
TABLE I

CONDUIT SIZE CODE	C CLASS - 2A THREAD	K DIA MIN
A	.438-28 UNEF	.245 (6.22)
B	.688-24 UNEF	.495 (12.57)
C	.938-20 UNEF	.745 (18.92)
D	1.250-18 UNEF	.995 (25.27)
E	1.563-18 UNEF	1.245 (31.62)
F	1.875-16 UN	1.495 (37.97)
G	2.375-16 UN	1.995 (50.67)
H	2.875-16 UN	2.495 (63.37)
J	.563-24 UNEF	.370 (9.40)
K	.813-20 UNEF	.620 (15.75)
L	3.375-16 UN	2.995 (76.07)

TABLE II

CONN SHELL SIZE	A CLASS - 2B THREAD	D DIA ± .02 (0.5)	E DIA REF
10	.625-24 UNEF	.750 (19.05)	.430 (10.92)
12	.750-20 UNEF	.875 (22.23)	.540 (13.72)
14	.875-20 UNEF	1.000 (25.40)	.660 (16.76)
16	1.000-20 UNEF	1.125 (28.58)	.790 (20.07)
18	1.125-16 UN	1.250 (31.75)	.880 (22.35)
20	1.250-16 UN	1.375 (34.93)	1.000 (25.40)
22	1.375-16 UN	1.500 (38.10)	1.130 (28.70)
24	1.500-16 UN	1.625 (41.28)	1.250 (31.75)

A

**Basic
Number**
M24758-23
**Conduit
Size Code
(Table I)**
C

TABLE I

CONDUIT SIZE CODE	C CLASS - 2A THREAD	B ± .06 (1.52) DIM
A	.438-28 UNEF	.500 (12.70)
B	.688-24 UNEF	.560 (14.22)
C	.938-20 UNEF	.620 (15.75)
D	1.250-18 UNEF	.620 (15.75)
E	1.563-18 UNEF	.680 (17.27)
F	1.875-16 UN	.680 (17.27)
G	2.375-16 UN	.750 (19.05)
H	2.875-16 UN	.750 (19.05)
J	.563-24 UNEF	.500 (12.70)
K	.813-20 UNEF	.560 (14.22)
L	3.375-16 UN	.750 (19.05)

APPLICATION NOTES

1. Assembly identified with manufacturer's code identification number (Glenair, part number and classification code 490).
2. The M24758-23 union fitting couples to Glenair M24758-2, M24758-3 or M24758-4 series fittings.
3. See Glenair Circular Connector Accessories catalog for recommended torque values.
4. Material / Finish:
Adapter, coupling nut - 316 / electroless nickel, matte finish.
5. Metric dimensions (mm) are indicated in parentheses.

MIL-PRF-24758-24 Individual Termination Adapter



MIL-PRF
24758A

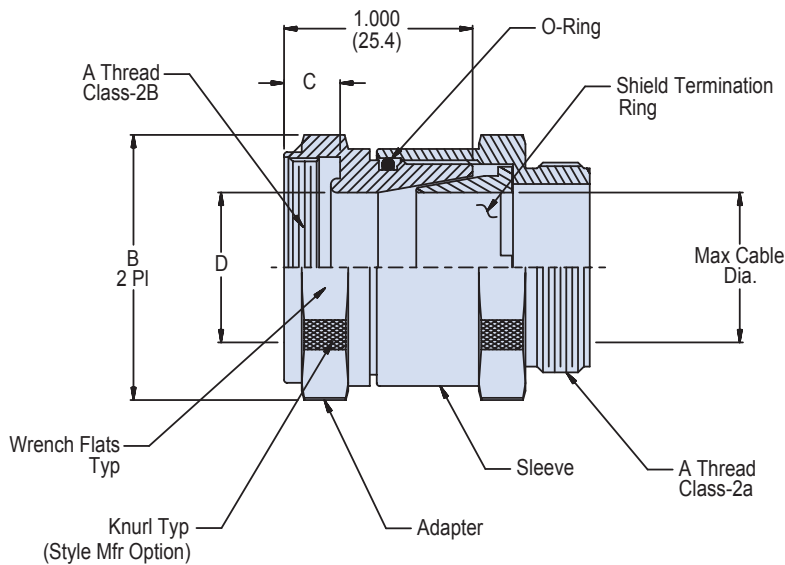
A

Basic
Number

Conduit
Size Code
(Table I)

M24758-24

C



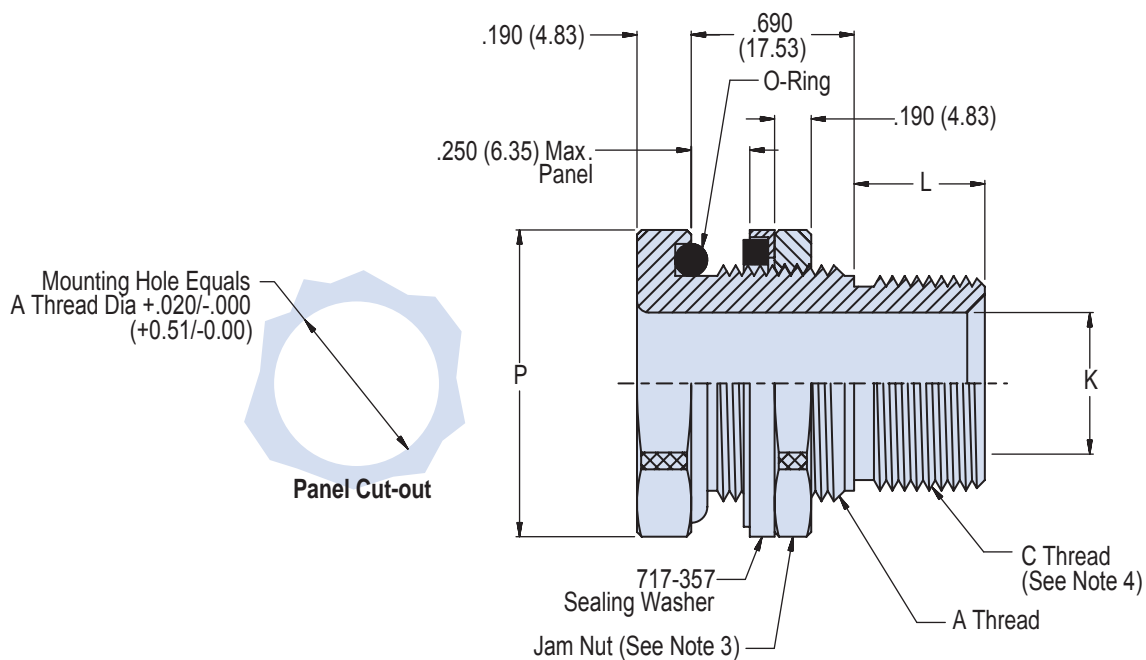
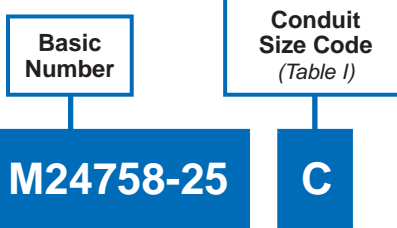
APPLICATION NOTES

1. Assembly identified with manufacturer's code identification number (Glenair, part number and classification code 490).
2. The function of the M24758-24 fitting is to couple with M24758-9 through M24758-23 fittings, terminate individual cable shields and to provide a standard thread for attaching all M24758-2, M24758-3 or M24758-4 fittings.
3. See Glenair Circular Connector Accessories catalog for recommended torque values.
4. Material / Finish:
Adapter, coupling nut - 316 / electroless nickel, matte finish.
O-Ring - silicone rubber/N.A.
5. Metric dimensions (mm) are indicated in parentheses.

TABLE I

CONDUIT SIZE CODE	A CLASS - 2* THREAD	B DIA MAX	C +.00 -.03 (0.8)	D DIA MIN	MAX CABLE DIA
A	.438-28 UNEF	.880 (22.35)	.205 (5.2)	.245 (6.22)	.220 (5.59)
B	.688-24 UNEF	1.130 (28.70)	.245 (6.22)	.495 (12.57)	.445 (11.30)
C	.938-20 UNEF	1.380 (35.05)	.305 (7.75)	.745 (18.92)	.670 (17.02)
D	1.250-18 UNEF	1.620 (41.15)	.365 (9.27)	.995 (25.3)	.895 (22.73)
E	1.563-18 UNEF	2.000 (50.80)	.365 (9.27)	1.245 (31.62)	1.120 (28.45)
F	1.875-16 UN	2.310 (58.67)	.425 (10.80)	1.495 (37.97)	1.345 (34.16)
G	2.375-16 UN	2.940 (74.68)	.425 (10.80)	1.995 (50.67)	1.795 (45.59)
H	2.875-16 UN	3.440 (87.38)	.425 (10.80)	2.495 (63.37)	2.245 (57.02)
J	.563-24 UNEF	.940 (23.88)	.245 (6.22)	.370 (9.40)	.333 (8.46)
K	.813-20 UNEF	1.190 (30.23)	.305 (7.75)	.620 (15.75)	.558 (14.17)
L	3.375-16 UN	3.940 (100.08)	.425 (10.80)	2.995 (76.07)	2.695 (68.45)

A



APPLICATION NOTES

1. Assembly identified with manufacturer's code identification number (Glenair, part number and classification code 490).
2. The M24758-25 adapter provides the capability of terminating a M24758-2, M24758-3 or M24758-4 series fitting to a panel.
3. Use Glenair 600-176 jam nut wrench.
4. See M24758-2 for C thread torque values.
5. Metric dimensions (mm) are indicated in parentheses.
6. Material / Finish:
 Adapter, jam nut - 316 electroless nickel, matte finish
 O-Ring - silicone rubber/N.A.
 Sealing washer - See individual drawing.

MIL-PRF-24758-25
Adapter for Panel Termination



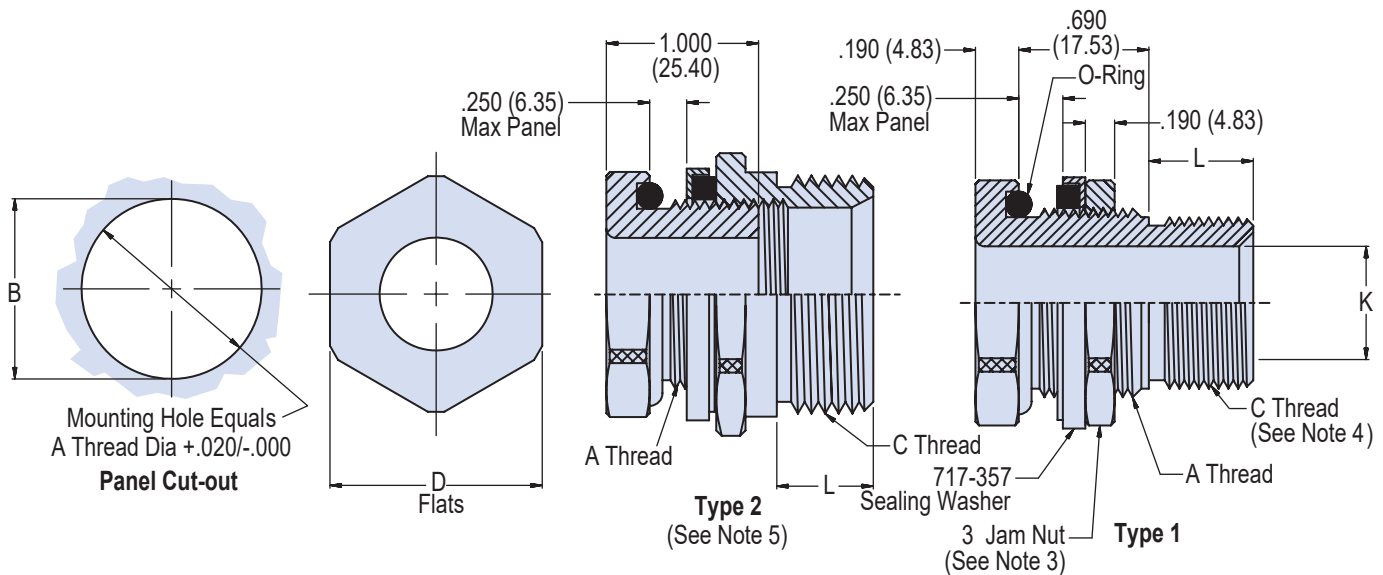
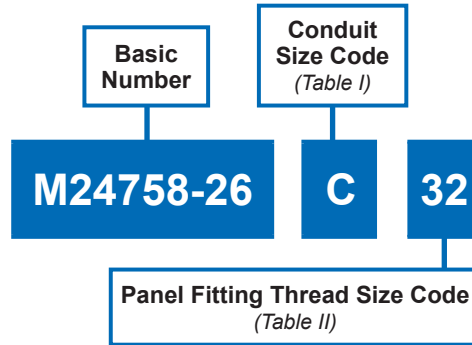
MIL-PRF
24758A

A

TABLE I					
CONDUIT SIZE CODE	A CLASS - 2A THREAD	P DIA	C CLASS - 2A THREAD	K DIA MIN	Recommended Torque Values ³
A	.625-24 UNEF	1.000 (25.40)	.438-28 UNEF	.245 (6.22)	40 - 50
B	.875-20 UNEF	1.250 (31.75)	.688-24 UNEF	.495 (12.57)	50 - 60
C	1.188-18 UNEF	1.562 (39.67)	.938-20 UNEF	.745 (18.92)	80 - 90
D	1.438-18 UNEF	1.812 (46.02)	1.250-18 UNEF	.995 (25.27)	100 - 110
E	1.750-16 UN	2.125 (53.98)	1.563-18 UNEF	1.245 (31.62)	150 - 160
F	2.000-16 UN	2.375 (60.33)	1.875-16 UN	1.495 (37.97)	50 - 60
G	2.500-16 UN	2.875 (73.03)	2.375-16 UN	1.995 (50.67)	150 - 160
H	3.000-16 UN	3.375 (85.73)	2.875-16 UN	2.495 (63.37)	50 - 60
J	.750-20 UNEF	1.125 (28.58)	.563-24 UNEF	.370 (9.40)	150 - 160
K	1.000-20 UNEF	1.500 (38.10)	.813-20 UNEF	.620 (15.75)	50 - 60
L	3.500-16 UN	4.375 (111.13)	3.375-16 UN	2.995 (76.07)	150 - 160

NOTE: Panel Cut-Out is +.016 (0.41) -.000 over A Thread Size.

A



APPLICATION NOTES

- Assembly identified with manufacturer's code identification number (Glenair, part number and classification code 490).
- The M24758-26 adapter provides the capability of terminating a M24758-2, M24758-3 or M24758-4 fitting to a panel.
- Use Glenair 600-176 jam nut wrench.
- See M24758-2 for C thread torque values.
- Type 2 supplied when C thread exceeds A thread (see Table II).
- Metric dimensions (mm) are indicated in parentheses.
- Material / Finish:
 Adapter, jam nut - 316L stainless steel/electroless nickel, matte finish
 O-Ring - silicone rubber/N.A.
 Sealing washer - See individual drawing.

MIL-PRF-24758-26 Adapter for Panel Termination



MIL-PRF
24758A

A

TABLE I

CONDUIT SIZE CODE	C CLASS - 2A THREAD	L + .03 (0.76) - .00	K DIA MIN
A	.438-28 UNEF	.210 (5.33)	.245 (6.22)
B	.688-24 UNEF	.250 (6.35)	.495 (12.57)
C	.938-20 UNEF	.310 (7.87)	.745 (18.92)
D	1.250-18 UNEF	.370 (9.40)	.995 (25.27)
E	1.563-18 UNEF	.370 (9.40)	1.245 (31.62)
F	1.875-16 UN	.430 (10.92)	1.495 (37.97)
G	2.375-16 UN	.430 (10.92)	1.995 (50.67)
H	2.875-16 UN	.430 (10.92)	2.495 (63.37)
J	.563-24 UNEF	.250 (6.35)	.370 (9.40)
K	.813-20 UNEF	.310 (7.87)	.620 (15.75)
L	3.375-16 UN	.430 (10.92)	2.995 (76.07)

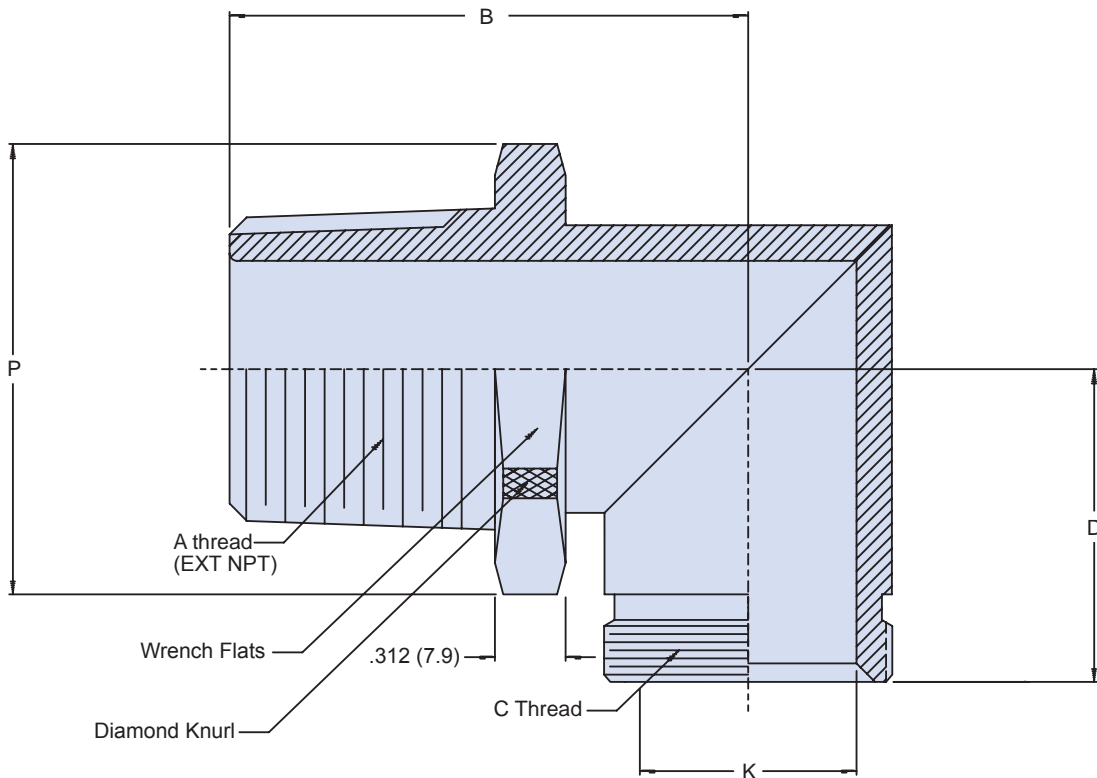
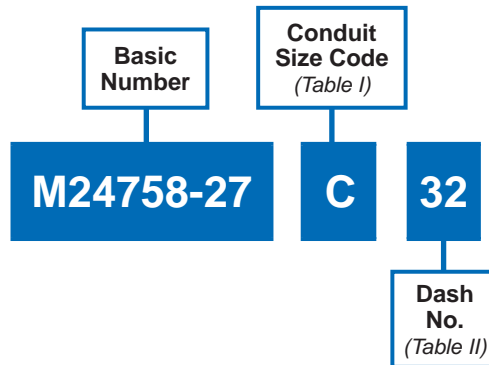
TABLE II

DASH NO	A CLASS - 2A THREAD	B + .03 (0.8) - .00	D FLATS	MAX SIZE CODE (TABLE I)		RECOMMENDED TORQUE VALUES INCH LBS (See Note 3)
20	5/8-24 UNEF	.630 (16.0)	.875 (22.2)	J	B	40 - 50
24	3/4-20 UNEF	.750 (19.1)	1.000 (25.4)	B	K	50 - 60
28	7/8-20 UNEF	.880 (22.4)	1.125 (28.6)	K	C	
32	1-20 UNEF	1.000 (25.4)	1.250 (31.8)	C	-	
36	1 1/8-18 UNEF	1.130 (28.7)	1.375 (34.9)	C	D	
40	1 1/4-18 UNEF	1.250 (31.8)	1.500 (38.1)	D	-	80 - 90
42	1 5/16-18 UNEF	1.310 (33.3)	1.625 (41.3)	D	-	
48	1 1/2-18 UNEF	1.500 (38.1)	1.750 (44.5)	D	E	
56	1 3/4-16 UN	1.750 (55.5)	2.000 (50.8)	E	F	100 - 110
64	2-16 UN	2.000 (50.8)	2.250 (57.15)	F	-	
80	2 1/2-16 UN	2.500 (63.50)	2.750 (69.85)	G	-	150 - 160
96	3-16 UN	3.000 (76.20)	3.250 (82.55)	H	-	
112	3 1/2-16 UN	3.500 (88.90)	3.750 (95.25)	L	-	
				Type 1	Type 2	

MIL-PRF-24758-27

90° Adapter for Tapered Pipe Thread

A



APPLICATION NOTES

1. Assembly identified with manufacturer's code identification number (Glenair, part number and classification code 490).
2. The M24758-27 adapter couples any fittings having a female tapered pipe thread to M24758-2, M24758-3 or M24758-4 fittings.
3. Material / Finish:
Elbow - 316 / electroless nickel, matte finish
4. Metric dimensions (mm) are indicated in parentheses.

MIL-PRF-24758-27
90° Adapter for Tapered Pipe Thread



MIL-PRF
24758A

A

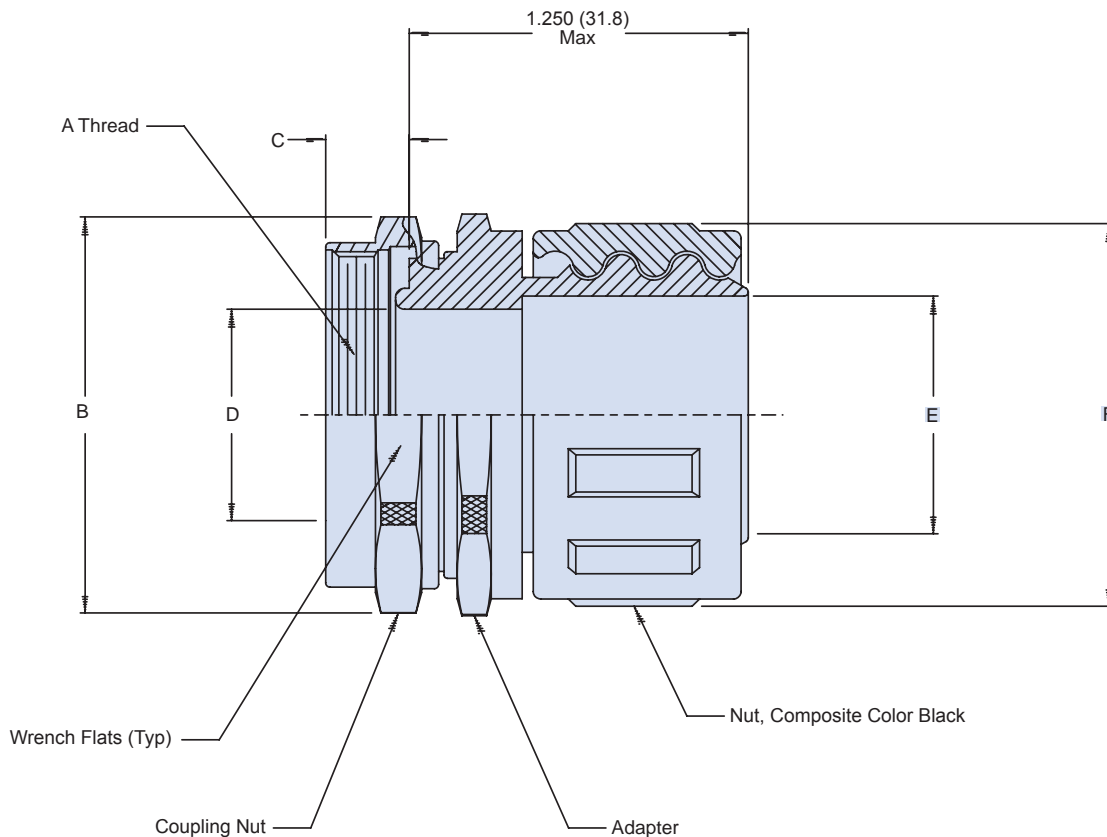
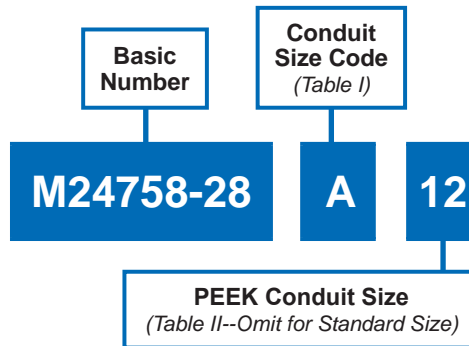
TABLE I: CONDUIT SIZE CODE

CONDUIT SIZE CODE	C CLASS - 2A THREAD	D DIM	K DIA MIN	MAX ENTRY DASH NO.
B	.688-24 UNEF	.890 (22.6)	.495 (12.57)	03

TABLE II: DASH NUMBER

DASH NO	A EXTERNAL TAPER PIPE THREAD	B DIM	P MAX DIA
03	.500-14 NPT	1.570 (39.9)	1.250 (31.8)

A



APPLICATION NOTES

1. Assembly identified with manufacturer's code identification number (Glenair, part number and classification code 490).
2. The function of the M24758-28 fitting is to terminate A-A-59827 PEEK conduit and to provide a standard thread for attaching M24758-15 and -25 fittings.
3. Material / Finish:
Adapter, coupling nut - 316 / electroless nickel, matte finish
Conduit nut - Ultem 7301, black
4. Metric dimensions (mm) are indicated in parentheses.

MIL-PRF-24758-28
Straight Conduit Fitting to PEEK Conduit



MIL-PRF
24758A

A

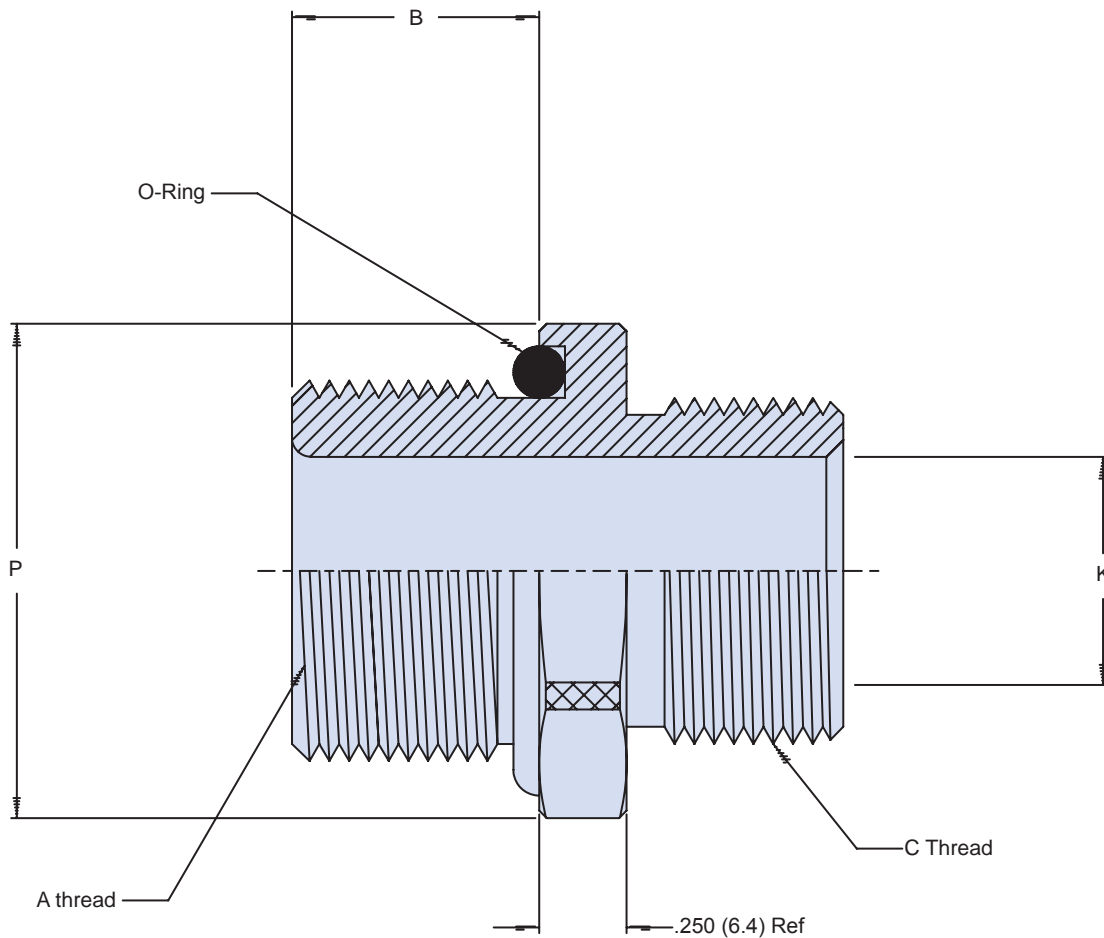
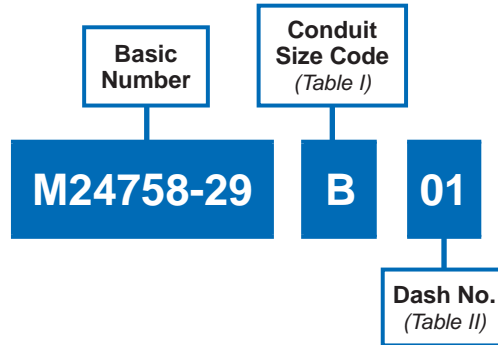
TABLE I: CONDUIT SIZE CODE

CONDUIT SIZE CODE	A CLASS - 2B THREAD	B MAX DIA	C +00 -03 (0.8)	D MIN DIA	STANDARD SIZE CONDUIT
A	.438-28 UNEF	.880 (22.4)	.205 (5.2)	.245 (6.2)	09
B	.688-24 UNEF	1.130 (28.7)	.245 (6.2)	.495 (12.6)	12
C	.938-20 UNEF	1.380 (35.1)	.305 (7.7)	.745 (18.9)	24
D	1.250-18 UNEF	1.690 (42.9)	.365 (9.3)	.995 (25.3)	32
E	1.563-18 UNEF	2.000 (50.8)	.365 (9.3)	1.245 (31.6)	40
F	1.875-16 UN	2.310 (58.7)	.425 (10.8)	1.495 (38.0)	48
G	2.375-16 UN	2.940 (74.7)	.425 (10.8)	1.995 (50.7)	64
H	2.875-16 UN	3.440 (87.4)	.425 (10.8)	2.495 (63.4)	N/A
J	.563-24 UNEF	.940 (23.9)	.245 (6.2)	.370 (9.4)	16
K	.813-20 UNEF	1.190 (30.2)	.305 (7.7)	.620 (15.7)	20
L	3.375-16 UN	3.940 (100.1)	.425 (10.8)	2.995 (76.1)	N/A

TABLE II: PEEK CONDUIT SIZE

PEEK CONDUIT SIZE CODE	E	F MAX
09	.210 (5.3)	.640 (16.3)
12	.320 (8.1)	.760 (19.3)
14	.360 (9.1)	.830 (21.1)
16	.420 (10.7)	.890 (22.6)
20	.550 (14.0)	1.020 (25.9)
24	.680 (17.3)	1.200 (30.5)
28	.790 (20.1)	1.300 (33.0)
32	.910 (23.1)	1.390 (35.3)
40	1.160 (29.5)	1.730 (43.9)
48	1.410 (35.8)	1.970 (50.0)

A



MIL-PRF-24758-29 Adapter for Miscellaneous Termination



MIL-PRF
24758A

A

TABLE I: CONDUIT SIZE CODE

CONDUIT SIZE CODE	C CLASS - 2A THREAD	K DIA MIN
B	.688-24 UNEF	.495 (12.57)
C	.938-20 UNEF	.745 (18.9)

TABLE II: DASH NUMBER

DASH NO	A CLASS -2A THREAD	B DIM	P MAX DIA
01	.875-18 UNS	.250 (6.35)	1.280 (32.5)

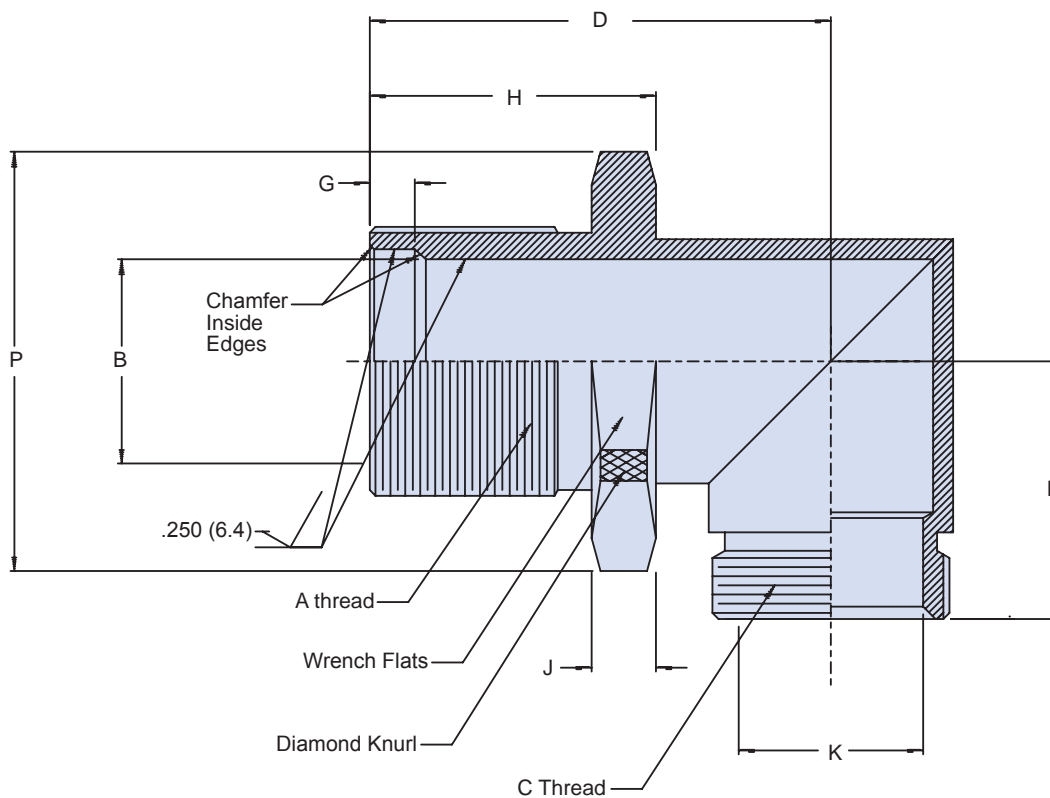
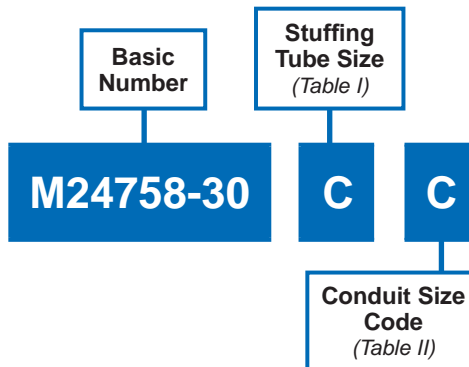
APPLICATION NOTES

1. Assembly identified with manufacturer's code identification number (Glenair, part number and classification code 490).
2. The M24758-29 mates with the Amphenol RJF (Ethernet) connector (replace rear nut with this fitting).
3. Material / Finish:
Adapter - 316 / electroless nickel, matte finish
O-Ring - silicone rubber / N.A.
4. Metric dimensions (mm) are indicated in parentheses.

MIL-PRF-24758-30

90° Elbow for MIL-S-24235 Stuffing Tubes

A



APPLICATION NOTES

1. Assembly identified with manufacturer's code identification number (Glenair, part number and classification code 490).
2. The M24758-30 adapter couples MIL-S-24235/9 through MIL-S-24235/17 stuffing tubes to M24758-2, M24758-3 or M24758-4 fittings.
3. Material / Finish:
Adapter - 316/Electroless nickel, matte finish
4. Metric dimensions (mm) are indicated in parentheses.

MIL-PRF-24758-30
90° Elbow for MIL-S-24235 Stuffing Tubes



MIL-PRF
24758A

A

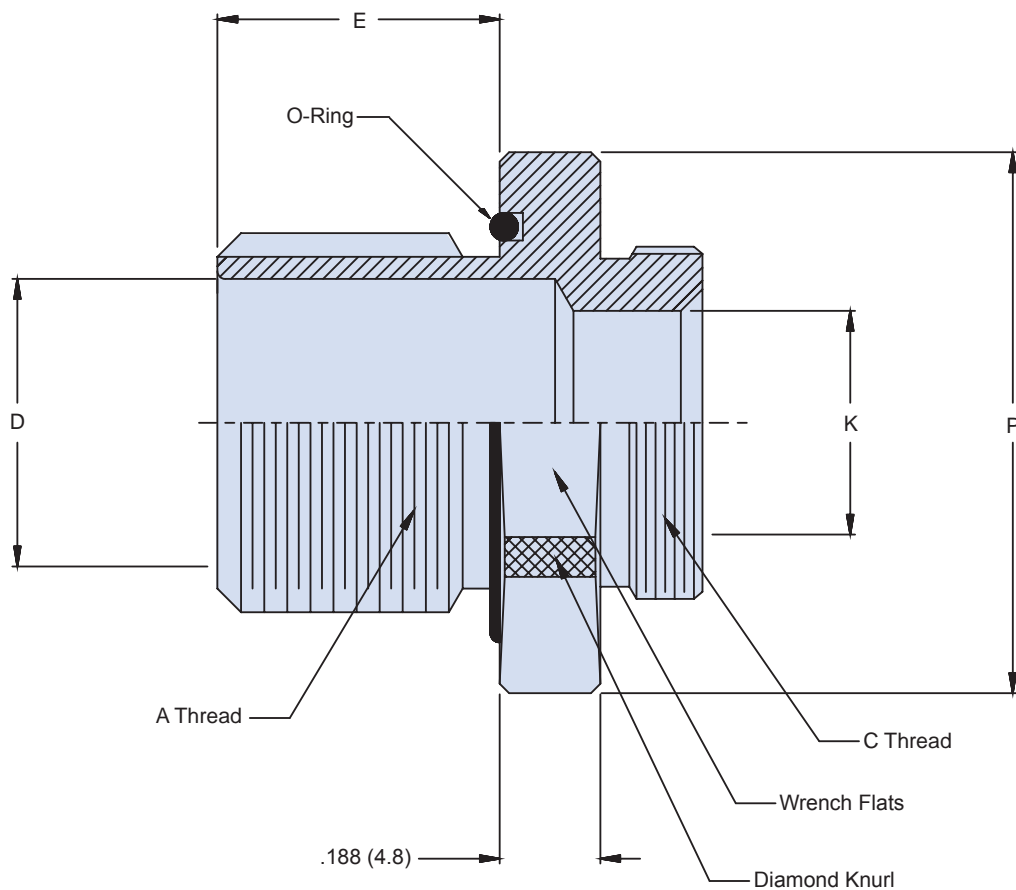
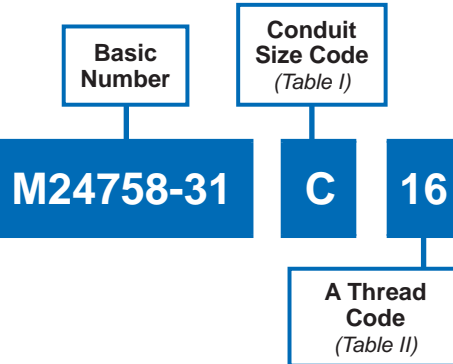
TABLE I: STUFFING TUBE SIZE

MIL-S-24235/9, /17 STUFFING TUBE SIZE	CONDUIT SIZE CODE	A CLASS -2A THREAD	B DIA	D MAX	E MAX	G DIM	H ±.02 (0.5)	J ±.02 (0.5)	P DIA MIN
A	B, J	.875-12 UN	.406 (10.3)			.250 (6.4)	1.063 (27.0)	.188 (4.8)	1.375 (34.9)
B	B, K	1.000-12 UN	.515 (13.1)	1.780 (45.2)	.950 (24.1)	.250 (6.4)	1.063 (27.0)	.188 (4.8)	1.500 (38.1)
C	C, K	1.125-12 UN	.640 (16.3)			.250 (6.4)	1.063 (27.0)	.188 (4.8)	1.625 (41.3)
D	C, D	1.250-12 UN	.750 (19.1)	1.920 (48.8)	1.200 (30.5)	.250 (6.4)	1.063 (27.0)	.188 (4.8)	1.750 (44.5)
E	C, D	1.250-12 UN	.812 (20.6)			.250 (6.4)	1.063 (27.0)	.188 (4.8)	1.750 (44.5)
F	D	1.313-12 UN	.843 (21.4)			.250 (6.4)	1.188 (30.2)	.188 (4.8)	1.812 (46.0)
G	D	1.500-12 UN	.935 (23.7)			.250 (6.4)	1.188 (30.2)	.188 (4.8)	2.000 (50.8)
J	D, E	1.625-12 UN	1.062 (27.0)			.250 (6.4)	1.188 (30.2)	.188 (4.8)	2.125 (54.0)
K	E	1.750-12 UN	1.171 (29.7)			.250 (6.4)	1.500 (38.1)	.188 (4.8)	2.250 (57.2)
L	E	1.813-12 UN	1.265 (32.1)			.250 (6.4)	1.500 (38.1)	.188 (4.8)	2.312 (58.7)
M	F	2.000-12 UN	1.406 (35.7)			.250 (6.4)	1.500 (38.1)	.188 (4.8)	2.500 (63.5)
N	F	2.063-12 UN	1.515 (38.5)			.250 (6.4)	1.563 (39.7)	.250 (6.4)	2.625 (66.7)
P	G	2.188-12 UN	1.625 (41.3)			.250 (6.4)	1.563 (39.7)	.250 (6.4)	2.750 (69.9)
R	G	2.313-12 UN	1.750 (44.5)			.250 (6.4)	1.563 (39.7)	.250 (6.4)	2.875 (73.0)
S	G	2.688-12 UN	1.875 (47.6)			.375 (9.5)	2.188 (55.6)	.313 (8.0)	3.250 (82.6)
T	G	2.875-12 UN	2.062 (52.4)			.375 (9.5)	2.188 (55.6)	.313 (8.0)	3.500 (88.9)
V	G, H	3.000-12 UN	2.187 (55.5)			.375 (9.5)	2.188 (55.6)	.313 (8.0)	3.625 (92.1)
W	H	3.125-12 UN	2.312 (58.7)			.375 (9.5)	2.188 (55.6)	.313 (8.0)	3.750 (95.3)
X	H	3.250-12 UN	2.500 (63.5)			.375 (9.5)	2.188 (55.6)	.313 (8.0)	3.875 (98.4)
Y	H	3.375-12 UN	2.609 (66.3)			.375 (9.5)	2.188 (55.6)	.313 (8.0)	4.000 (101.6)
Z	L	3.563-12 UN	2.781 (70.6)			.375 (9.5)	2.188 (55.6)	.313 (8.0)	4.250 (108.0)
AA	L	3.750-12 UN	2.875 (73.0)			.375 (9.5)	3.125 (79.4)	.438 (12.3)	4.500 (114.3)
BB	L	4.000-12 UN	3.157 (80.2)			.375 (9.5)	3.125 (79.4)	.438 (12.3)	4.750 (120.7)

TABLE II: CONDUIT SIZE CODE

CONDUIT SIZE CODE	C CLASS -2A THREAD	K DIA MIN
A	.438-28 UNEF	.245 (6.2)
B	.688-24 UNEF	.495 (12.6)
C	.938-24 UNEF	.745 (18.9)
D	1.250-18 UNEF	.995 (25.3)
E	1.563-18 UNEF	1.245 (31.6)
F	1.875-16 UN	1.495 (38.0)
G	2.375-16 UN	1.995 (50.7)
H	2.875-16 UN	2.495 (63.4)
J	.563-24 UNEF	.370 (9.4)
K	.813-20 UNEF	.620 (15.7)
L	3.375-16 UN	2.995 (76.1)

A



APPLICATION NOTES

1. Assembly identified with manufacturer's code identification number (Glenair, part number and classification code 490).
2. The M24758-31 adapter couples miscellaneous fittings to M24758-2, M24758-3 or M24758-4 fittings.
3. Material / Finish:
Adapter - 316 SST/Electroless nickel, matte finish.
O-Ring - Silicone rubber/NA
4. Metric dimensions (mm) are indicated in parentheses.

**MIL-PRF-24758-31
Adapter for PG Thread**



MIL-PRF
24758A

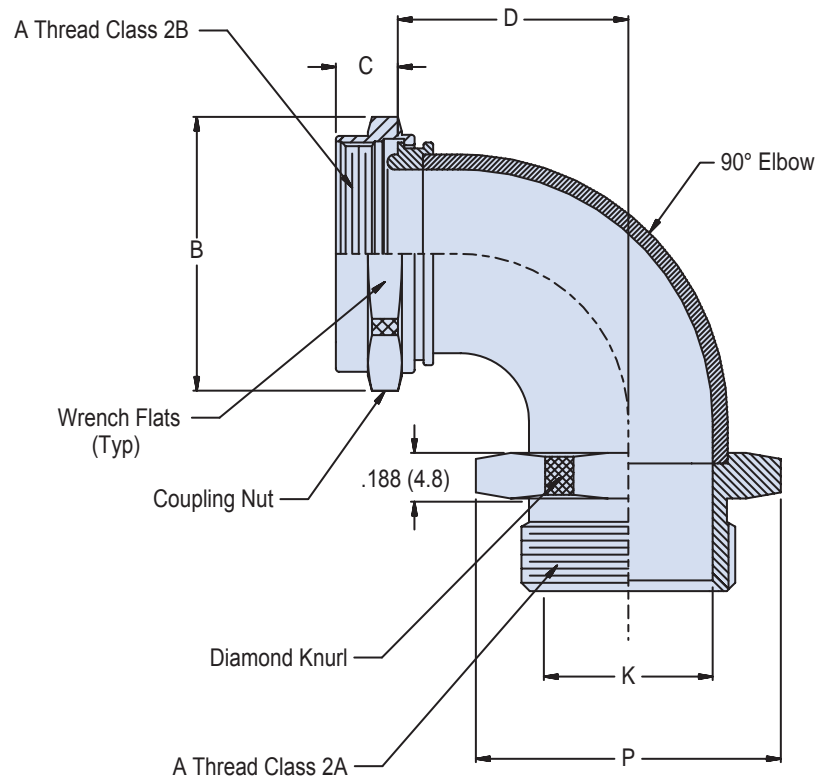
A

TABLE I: CONDUIT SIZE CODE

CONDUIT SIZE CODE	C CLASS - 2A THREAD	K DIA MIN
A	.438-28 UNEF	.245 (6.22)
B	.688-24 UNEF	.495 (12.57)
C	.938-20 UNEF	.745 (18.92)
D	1.250-18 UNEF	.995 (25.27)
E	1.563-18 UNEF	1.245 (31.62)
F	1.875-16 UN	1.495 (37.97)
G	2.375-16 UN	1.995 (50.67)
H	2.875-16 UN	2.495 (63.37)
J	.563-24 UNEF	.370 (9.40)
K	.813-20 UNEF	.620 (15.75)
L	3.375-16 UN	2.995 (76.07)

TABLE II: A THREAD CODE

A THREAD CODE	A PG THREAD	D DIA	H DIM	P DIM MAX	CONDUIT SIZE
07	PG 7-20	.315 (8.0)	.275 (7.0)	1.000 (25.4)	A, J
09	PG 9-18	.375 (9.5)	.275 (7.0)	1.130 (28.7)	B, J
11	PG 11-18	.520 (13.2)	.275 (7.0)	1.250 (31.8)	B, K
13	PG 13.5-18	.600 (15.2)	.275 (7.0)	1.250 (31.8)	B, K
16	PG 16-18	.670 (17.0)	.275 (7.0)	1.380 (35.1)	C, K
21	PG 21-16	.890 (22.6)			
29	PG 29-16	1.250 (31.8)			
36	PG 36-16	1.640 (41.7)			
42	PG 42-16	1.910 (48.5)			
48	PG 48-16	2.120 (53.8)			

A
**Basic
Number**
M24758-32
**Conduit
Size Code
(Table I)**
C

APPLICATION NOTES

1. Assembly identified with manufacturer's code identification number (Glenair, part number and classification code 490).
2. Material / Finish:
Elbow, coupling nut - 316 SST/Electroless nickel, matte finish.
3. Metric dimensions (mm) are indicated in parentheses.

TABLE I: CONDUIT SIZE CODE

CONDUIT SIZE CODE	A THREAD	B MAX DIA	C +.00 -.03 (0.8)	D ±.06 (1.5) DIM	K MIN DIA	P MAX
A	.438-28 UNEF	.880 (22.4)	.205 (5.2)	.810 (20.6)	.245 (6.2)	.880 (22.4)
B	.688-24 UNEF	1.130 (28.7)	.245 (6.2)	1.120 (28.4)	.495 (12.6)	1.130 (28.7)
C	.938-20 UNEF	1.380 (35.1)	.305 (7.7)	1.470 (37.3)	.745 (18.9)	1.380 (35.1)
D	1.250-18 UNEF	1.690 (42.9)	.365 (9.3)	1.810 (46.0)	.995 (25.3)	1.690 (42.9)
E	1.563-18 UNEF	2.000 (50.8)	.365 (9.3)	2.120 (53.8)	1.245 (31.6)	2.000 (50.8)
F	1.875-16 UN	2.310 (58.7)	.425 (10.8)	2.500 (63.5)	1.495 (38.0)	2.310 (58.7)
G	2.375-16 UN	2.940 (74.7)	.425 (10.8)	3.120 (79.2)	1.995 (50.7)	2.940 (74.7)
H	2.875-16 UN	3.440 (87.4)	.425 (10.8)	3.250 (82.6)	2.495 (63.4)	3.440 (87.4)
J	.563-24 UNEF	.940 (23.9)	.245 (6.2)	.930 (23.6)	.370 (9.4)	.940 (23.9)
K	.813-20 UNEF	1.190 (30.2)	.305 (7.7)	1.250 (31.8)	.620 (15.7)	1.190 (30.2)
L	3.375-16 UN	3.940 (100.1)	.425 (10.8)	4.500 (114.3)	2.995 (76.1)	3.940 (100.1)

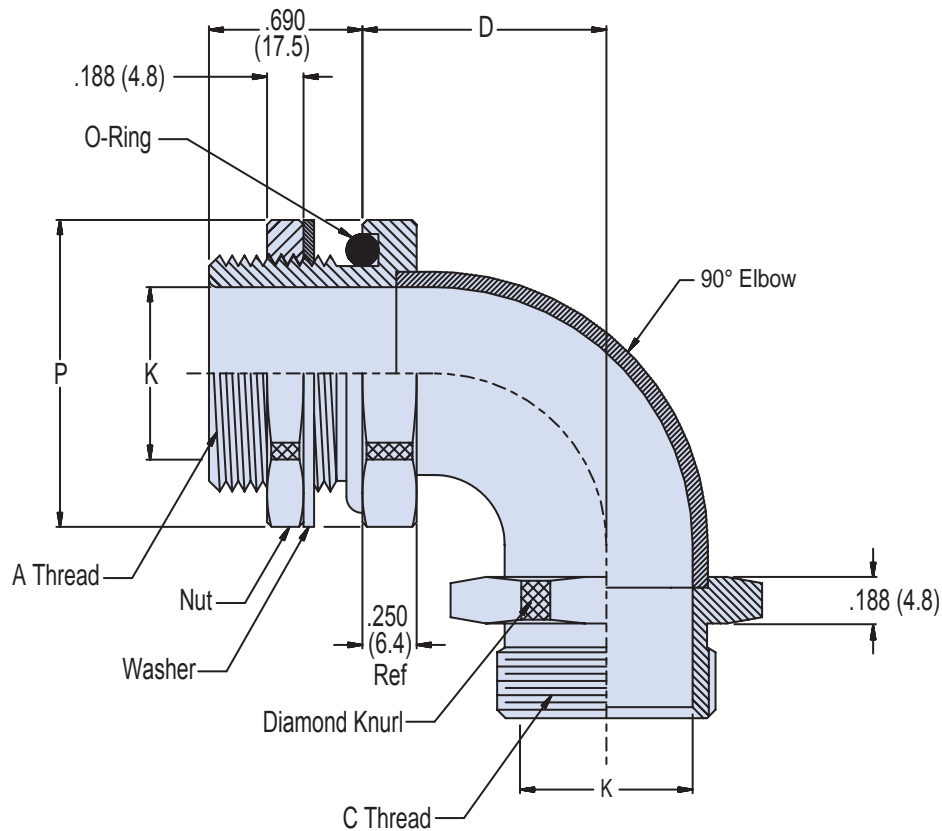
A

Basic
Number

M24758-33

Conduit
Size Code
(Table I)

C



APPLICATION NOTES

1. Assembly identified with manufacturer's code identification number (Glenair, part number and classification code 490).
2. The M24758-33 adapter provides the capability of terminating a M24758-2 fitting to a thread panel.
3. Material / Finish:
Adapter, jam nut, elbow - 316 SST/Electroless nickel, matte finish.
O-Ring - Silicone rubber/NA
Washer - 316 SST/Passivate
4. Metric dimensions (mm) are indicated in parentheses.

MIL-PRF-24758-33
90° Elbow for Panel Termination



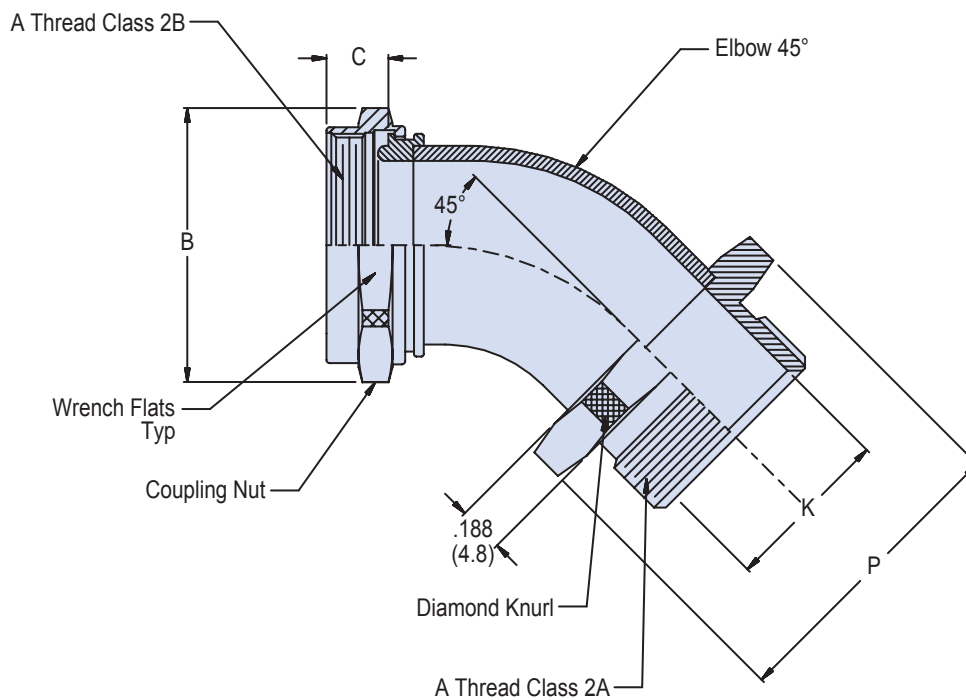
MIL-PRF
24758A

A

TABLE I

CONDUIT SIZE CODE	A CLASS - 2A THREAD	P DIA	C CLASS - 2A THREAD	K DIA MIN	D REF
A	.625-24 UNEF	1.000 (25.4)	.438-28 UNEF	.245 (6.2)	.810 (20.6)
B	.875-20 UNEF	1.250 (31.8)	.688-24 UNEF	.495 (12.6)	1.120 (28.5)
C	1.188-18 UNEF	1.562 (39.7)	.938-20 UNEF	.745 (18.9)	1.470 (37.3)
D	1.438-18 UNEF	1.812 (46.2)	1.250-18 UNEF	.995 (25.3)	1.810 (46.0)
E	1.750-16 UN	2.125 (53.9)	1.563-18 UNEF	1.245 (31.6)	2.120 (53.9)
F	2.000-16 UN	2.375 (60.3)	1.875-16 UN	1.495 (38.0)	2.500 (63.5)
G	2.500-16 UN	2.875 (73.3)	2.375-16 UN	1.995 (50.7)	3.120 (79.3)
H	3.000-16 UN	3.375 (85.7)	2.875-16 UN	2.495 (63.4)	3.250 (82.6)
J	.750-20 UNEF	1.125 (28.6)	.563-24 UNEF	.370 (9.4)	.930 (23.6)
K	1.000-20 UNEF	1.500 (38.1)	.813-20 UNEF	0.620 (15.8)	1.250 (31.8)
L	3.500-16 UN	3.875 (98.4)	3.375-16 UN	2.995 (76.1)	4.500 (114.3)

A

**Basic
Number**
M24758-34
**Conduit
Size Code
(Table I)**
C

APPLICATION NOTES

1. Assembly identified with manufacturer's code identification number (Glenair, part number and classification code 490).
2. Material / Finish:
Elbow, coupling nut - 316 SST/Electroless nickel, matte finish.
O-Ring - Silicone rubber/NA
3. Metric dimensions (mm) are indicated in parentheses.

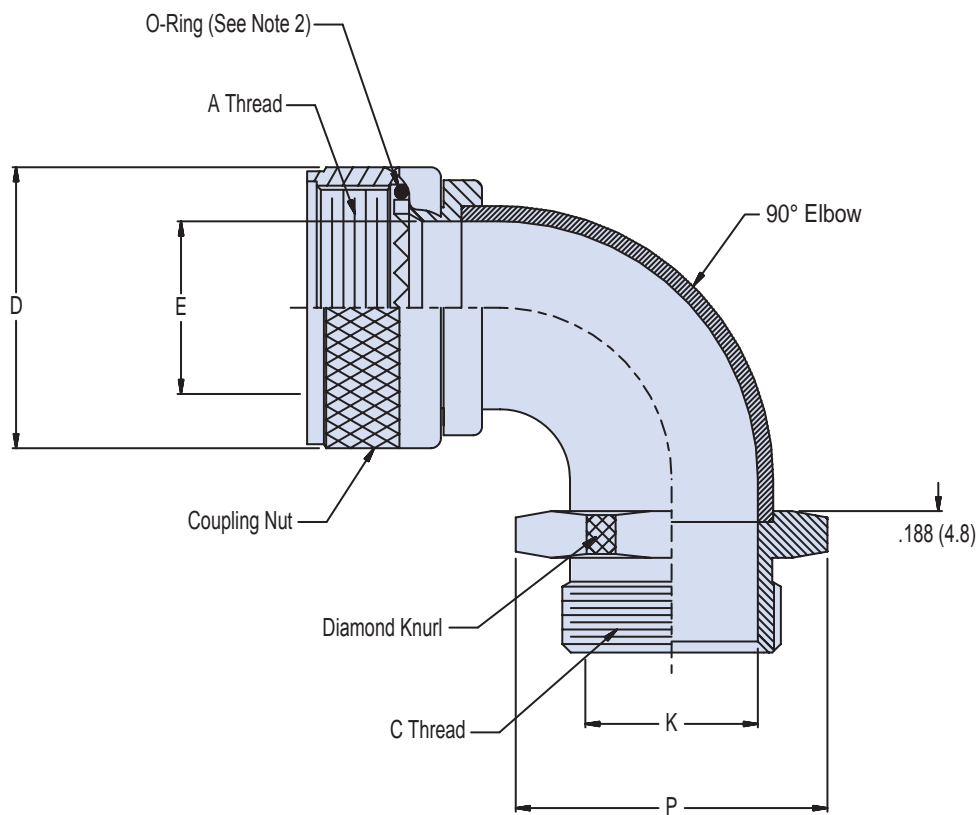
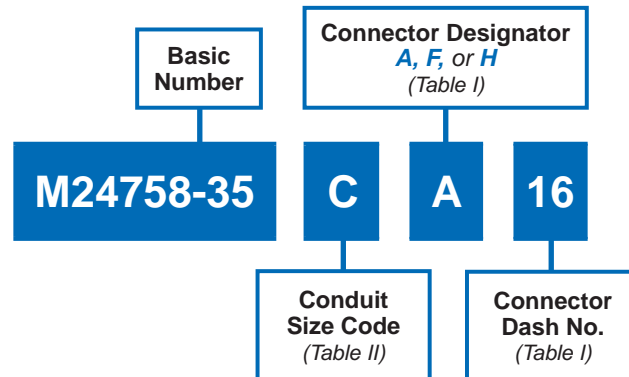
TABLE I: CONDUIT SIZE CODE

CONDUIT SIZE CODE	A THREAD	B MAX DIA	C +.00 -.03 (0.8)	K MIN DIA	P MAX
A	.438-28 UNEF	.880 (22.4)	.205 (5.2)	.245 (6.2)	.880 (22.4)
B	.688-24 UNEF	1.130 (28.7)	.245 (6.2)	.495 (12.6)	1.130 (28.7)
C	.938-20 UNEF	1.380 (35.1)	.305 (7.7)	.745 (18.9)	1.380 (35.1)
D	1.250-18 UNEF	1.690 (42.9)	.365 (9.3)	.995 (25.3)	1.690 (42.9)
E	1.563-18 UNEF	2.000 (50.8)	.365 (9.3)	1.245 (31.6)	2.000 (50.8)
F	1.875-16 UN	2.310 (58.7)	.425 (10.8)	1.495 (38.0)	2.310 (58.7)
G	2.375-16 UN	2.940 (74.7)	.425 (10.8)	1.995 (50.7)	2.940 (74.7)
H	2.875-16 UN	3.440 (87.4)	.425 (10.8)	2.495 (63.4)	3.440 (87.4)
J	.563-24 UNEF	.940 (23.9)	.245 (6.2)	.370 (9.4)	.940 (23.9)
K	.813-20 UNEF	1.190 (30.2)	.305 (7.7)	.620 (15.7)	1.190 (30.2)
L	3.375-16 UN	3.940 (100.1)	.425 (10.8)	2.995 (76.1)	3.940 (100.1)

MIL-PRF-24758-35

90° Elbow for Connectors Listed in Table I

A



APPLICATION NOTES

1. Assembly identified with manufacturer's code identification number (Glenair, part number and classification code 490).
2. O-Ring not supplied with connector designator A.
3. See Glenair Circular Connector Accessories catalog for recommended torque values, Group 2.
4. Material / Finish:
Elbow, coupling nut - 316 SST/Electroless nickel, matte finish.
O-Ring - Silicone rubber/NA
5. Metric dimensions (mm) are indicated in parentheses.

MIL-PRF-24758-35

90° Elbow for Connectors Listed in Table I



MIL-PRF
24758A

A

TABLE I: Dimensions for CONNECTOR DESIGNATOR A (See Note 2)

Connector Dash No.	NAS 1599 and MIL-DTL-83723 Series I and III	MIL-DTL-5015 (MS3400 Series)	AS81703 (Navy) Series III	MIL-DTL-26482 Series II	A Thread Class - 2B	D Dia Max	E Dia Ref
03	—	—	03	—	.562-24 UNEF	.669 (17.0)	.270 (6.9)
08	08	8S	—	08	.500-20 UNF	.617 (15.7)	.270 (6.9)
10	10	10S, 10SL	—	10	.624-24 UNEF	.734 (18.6)	.375 (9.5)
12	12	12, 12S	07	12	.750-20 UNEF	.858 (21.8)	.511 (13.0)
14	14	14, 14S	12	14	.875-20 UNEF	.984 (25.0)	.585 (14.9)
16	16	16, 16S	19	16	1.000-20 UNEF	1.112 (28.2)	.710 (18.0)
18	18	18	27	18	1.062-18 UNEF	1.218 (30.9)	.789 (20.0)
20	20	20	37	20	1.188-18 UNEF	1.345 (34.2)	.914 (23.2)
22	22	22	—	22	1.312-18 UNEF	1.468 (37.3)	1.039 (26.4)
24	24	24	—	24	1.438-18 UNEF	1.593 (40.5)	1.154 (29.3)
28	—	28	—	—	1.750-18 UNS	1.969 (50.0)	1.389 (35.3)
32	—	32	—	—	2.000-18 UNS	2.219 (56.4)	1.635 (41.5)
36	—	36	—	—	2.250-16 UN	2.469 (62.7)	1.850 (47.0)
40	—	40	—	—	2.500-16 UN	2.719 (69.1)	2.065 (52.5)
44	—	44	—	—	3.000-16 UN	2.969 (75.4)	2.320 (58.9)
48	—	48	—	—	3.000-16 UN	3.219 (81.8)	2.570 (65.3)
61	—	—	61	—	1.500-18 UNEF	1.653 (42.0)	1.194 (30.3)

TABLE I: Dimensions for CONNECTOR DESIGNATOR F

Connector Dash No.	NAS 1599 and MIL-DTL-83723 Series I and III	A Thread Class - 2B	D Dia Max	E Dia Ref
08	08	.438-28 UNEF	.860 (21.8)	.269 (6.8)
10	10	.562-24 UNEF	.980 (24.9)	.402 (10.2)
12	12	.688-24 UNEF	1.160 (29.5)	.516 (13.1)
14	14	.812-20 UNEF	1.280 (32.5)	.641 (16.3)
16	16	.938-20 UNEF	1.410 (35.8)	.766 (19.5)
18	18	1.062-18 UNEF	1.520 (38.6)	.863 (21.9)
20	20	1.188-18 UNEF	1.640 (41.7)	.988 (25.1)
22	22	1.312-18 UNEF	1.770 (45.0)	1.113 (28.3)
24	24	1.438-18 UNEF	1.890 (48.0)	1.238 (31.4)

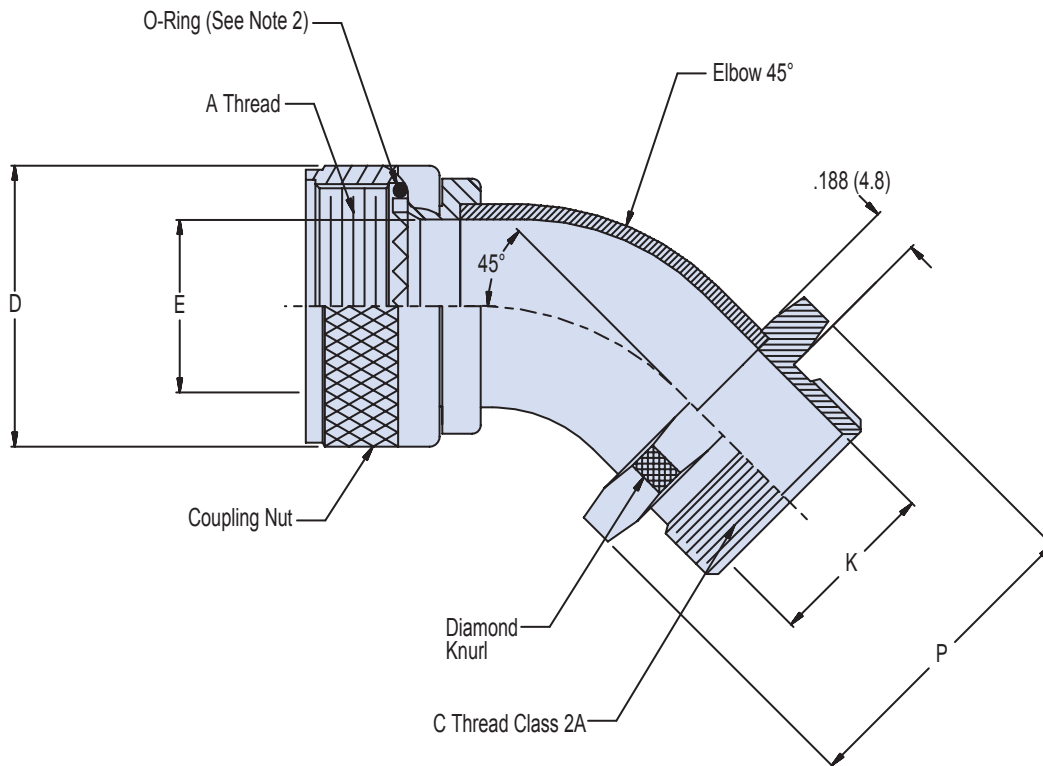
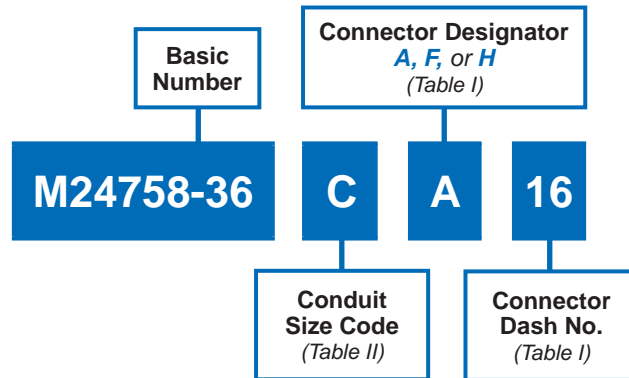
TABLE II: Conduit Size Code and Fitting Dimensions

Conduit Size Code	C Thread Class - 2A	L + .03 (0.76) - .00	K Dia Min
A	.438-28 UNEF	.210 (5.3)	.245 (6.2)
B	.688-24 UNEF	.250 (6.4)	.495 (12.6)
C	.938-20 UNEF	.310 (7.9)	.745 (18.9)
D	1.250-18 UNEF	.370 (9.4)	.995 (25.3)
E	1.563-18 UNEF	.370 (9.4)	1.245 (31.6)
F	1.875-16 UN	.430 (10.9)	1.495 (38.0)
G	2.375-16 UN	.430 (10.9)	1.995 (50.7)
H	2.875-16 UN	.430 (10.9)	2.495 (63.4)
J	.563-24 UNEF	.250 (6.4)	.370 (9.4)
K	.813-20 UNEF	.310 (7.9)	.620 (15.7)
L	3.375-16 UN	.430 (10.9)	2.995 (76.1)

TABLE I: Dimensions for CONNECTOR DESIGNATOR H

Connector Dash No.	MIL-DTL-38999 Series III & IV	A Thread	D Dia Max	E Dia Ref
09	A / 09	M12 X 1.0 -6H	.860 (21.8)	.269 (6.8)
11	B / 11	M15 X 1.0 -6H	.980 (24.9)	.402 (10.2)
13	C / 13	M18 X 1.0 -6H	1.160 (29.5)	.516 (13.1)
15	D / 15	M22 X 1.0 -6H	1.280 (32.5)	.641 (16.3)
17	E / 17	M25 X 1.0 -6H	1.410 (35.8)	.766 (19.5)
19	F / 19	M28 X 1.0 -6H	1.520 (38.6)	.863 (21.9)
21	G / 21	M31 X 1.0 -6H	1.640 (41.7)	.988 (25.1)
23	H / 23	M34 X 1.0 -6H	1.770 (45.0)	1.113 (28.3)
25	J / 25	M37 X 1.0 -6H	1.890 (48.0)	1.238 (31.4)

A



APPLICATION NOTES

1. Assembly identified with manufacturer's code identification number (Glenair, part number and classification code 490).
2. O-Ring not supplied with connector designator A.
3. See Glenair Circular Connector Accessories catalog for recommended torque values, Group 2.
4. Material / Finish:
Elbow, coupling nut - 316 SST/Electroless nickel, matte finish.
O-Ring - Silicone rubber/NA
5. Metric dimensions (mm) are indicated in parentheses.

MIL-PRF-24758-36

45° Elbow for Connectors Listed in Table I



MIL-PRF
24758A

A

TABLE I: Dimensions for CONNECTOR DESIGNATOR A (See Note 2)

Connector Dash No.	NAS 1599 and MIL-DTL-83723 Series I and III	MIL-DTL-5015 (MS3400 Series)	AS81703 (Navy) Series III	MIL-DTL-26482 Series II	A Thread Class - 2B	D Dia Max	E Dia Ref
03	—	—	03	—	.562-24 UNEF	.669 (17.0)	.270 (6.9)
08	08	8S	—	08	.500-20 UNF	.617 (15.7)	.270 (6.9)
10	10	10S, 10SL	—	10	.624-24 UNEF	.734 (18.6)	.375 (9.5)
12	12	12, 12S	07	12	.750-20 UNEF	.858 (21.8)	.511 (13.0)
14	14	14, 14S	12	14	.875-20 UNEF	.984 (25.0)	.585 (14.9)
16	16	16, 16S	19	16	1.000-20 UNEF	1.112 (28.2)	.710 (18.0)
18	18	18	27	18	1.062-18 UNEF	1.218 (30.9)	.789 (20.0)
20	20	20	37	20	1.188-18 UNEF	1.345 (34.2)	.914 (23.2)
22	22	22	—	22	1.312-18 UNEF	1.468 (37.3)	1.039 (26.4)
24	24	24	—	24	1.438-18 UNEF	1.593 (40.5)	1.154 (29.3)
28	—	28	—	—	1.750-18 UNS	1.969 (50.0)	1.389 (35.3)
32	—	32	—	—	2.000-18 UNS	2.219 (56.4)	1.635 (41.5)
36	—	36	—	—	2.250-16 UN	2.469 (62.7)	1.850 (47.0)
40	—	40	—	—	2.500-16 UN	2.719 (69.1)	2.065 (52.5)
44	—	44	—	—	3.000-16 UN	2.969 (75.4)	2.320 (58.9)
48	—	48	—	—	3.000-16 UN	3.219 (81.8)	2.570 (65.3)
61	—	—	61	—	1.500-18 UNEF	1.653 (42.0)	1.194 (30.3)

TABLE I: Dimensions for CONNECTOR DESIGNATOR F

Connector Dash No.	NAS 1599 and MIL-DTL-83723 Series I and III	A Thread Class - 2B	D Dia Max	E Dia Ref
08	08	.438-28 UNEF	.860 (21.8)	.269 (6.8)
10	10	.562-24 UNEF	.980 (24.9)	.402 (10.2)
12	12	.688-24 UNEF	1.160 (29.5)	.516 (13.1)
14	14	.812-20 UNEF	1.280 (32.5)	.641 (16.3)
16	16	.938-20 UNEF	1.410 (35.8)	.766 (19.5)
18	18	1.062-18 UNEF	1.520 (38.6)	.863 (21.9)
20	20	1.188-18 UNEF	1.640 (41.7)	.988 (25.1)
22	22	1.312-18 UNEF	1.770 (45.0)	1.113 (28.3)
24	24	1.438-18 UNEF	1.890 (48.0)	1.238 (31.4)

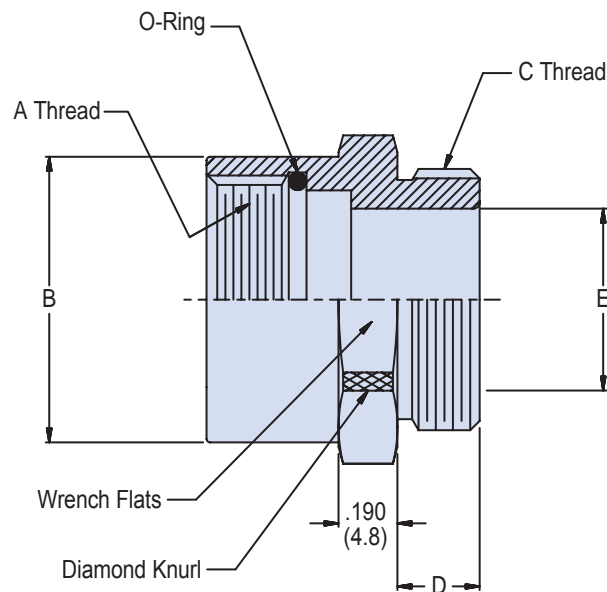
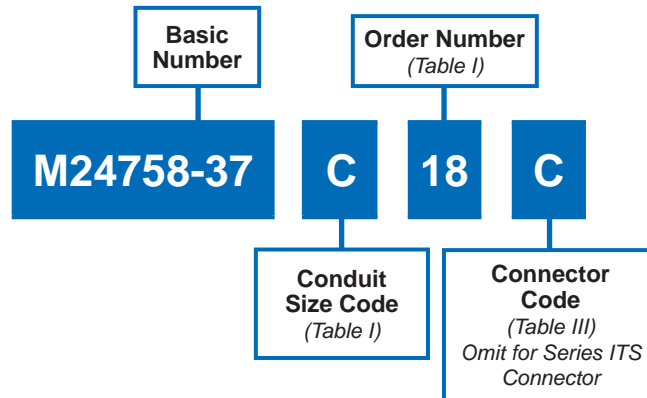
TABLE II: Conduit Size Code and Fitting Dimensions

Conduit Size Code	C Thread Class - 2A	K Dia Min	P Max
A	.438-28 UNEF	.245 (6.2)	.880 (22.4)
B	.688-24 UNEF	.495 (12.6)	1.130 (28.7)
C	.938-20 UNEF	.745 (18.9)	1.380 (35.1)
D	1.250-18 UNEF	.995 (25.3)	1.690 (43.0)
E	1.563-18 UNEF	1.245 (31.6)	2.000 (50.8)
F	1.875-16 UN	1.495 (38.0)	2.310 (58.7)
G	2.375-16 UN	1.995 (50.7)	2.940 (74.7)
H	2.875-16 UN	2.495 (63.4)	3.440 (87.4)
J	.563-24 UNEF	.370 (9.4)	.940 (23.9)
K	.813-20 UNEF	.620 (15.7)	1.190 (30.2)
L	3.375-16 UN	2.995 (76.1)	3.940 (100.1)

TABLE I: Dimensions for CONNECTOR DESIGNATOR H

Connector Dash No.	MIL-DTL-38999 Series III & IV	A Thread	D Dia Max	E Dia Ref
09	A / 09	M12 X 1.0 -6H	.860 (21.8)	.269 (6.8)
11	B / 11	M15 X 1.0 -6H	.980 (24.9)	.402 (10.2)
13	C / 13	M18 X 1.0 -6H	1.160 (29.5)	.516 (13.1)
15	D / 15	M22 X 1.0 -6H	1.280 (32.5)	.641 (16.3)
17	E / 17	M25 X 1.0 -6H	1.410 (35.8)	.766 (19.5)
19	F / 19	M28 X 1.0 -6H	1.520 (38.6)	.863 (21.9)
21	G / 21	M31 X 1.0 -6H	1.640 (41.7)	.988 (25.1)
23	H / 23	M34 X 1.0 -6H	1.770 (45.0)	1.113 (28.3)
25	J / 25	M37 X 1.0 -6H	1.890 (48.0)	1.238 (31.4)

A



APPLICATION NOTES

1. Assembly identified with manufacturer's code identification number (Glenair, part number and classification code 490).
2. The M24758-37 adapter couples VG95234 connectors to M24758-2, M24758-3 or M24758-4 fittings.
3. See Glenair Circular Connector Accessories catalog for recommended torque values, Group 2.
4. Material / Finish:
Elbow, coupling nut - 316L SST/Electroless nickel, matte finish.
O-Ring - Silicone rubber/NA
5. Metric dimensions (mm) are indicated in parentheses.

MIL-PRF-24758-37
Adapter for VG94234 Reverse Bayonet Connector



MIL-PRF
24758A

A

TABLE I: CONDUIT SIZE CODE

CONDUIT SIZE CODE	C THREAD	D +.03 (0.8) -.00	E MIN DIA
A	.438-28 UNEF	.210 (5.3)	.245 (6.2)
B	.688-24 UNEF	.250 (6.4)	.495 (12.6)
C	.938-20 UNEF	.310 (7.9)	.745 (18.9)
D	1.250-18 UNEF	.370 (9.4)	.995 (25.3)
E	1.563-18 UNEF	.370 (9.4)	1.245 (31.6)
F	1.875-16 UN	.430 (10.9)	1.495 (38.0)
G	2.375-16 UN	.430 (10.9)	1.995 (50.7)
H	2.875-16 UN	.430 (10.9)	2.495 (63.4)
J	.563-24 UNEF	.250 (6.4)	.370 (9.4)
K	.813-20 UNEF	.310 (7.9)	.620 (15.7)
L	3.375-16 UN	.430 (10.9)	2.995 (76.1)

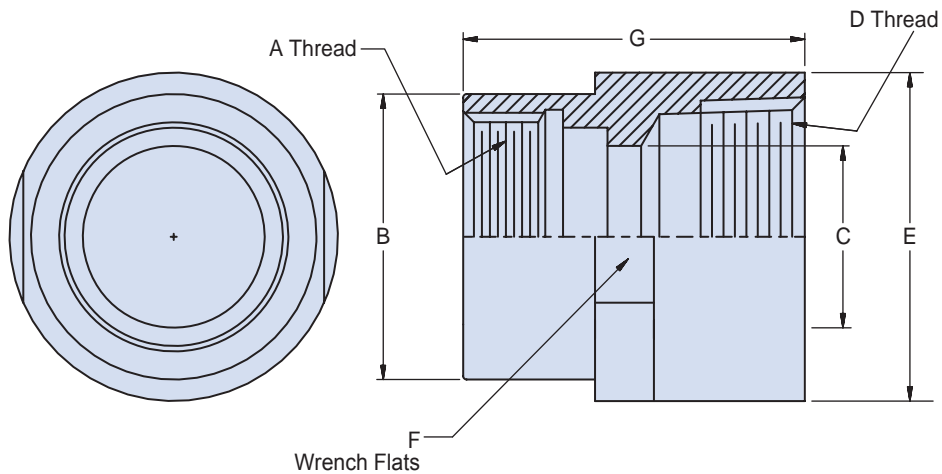
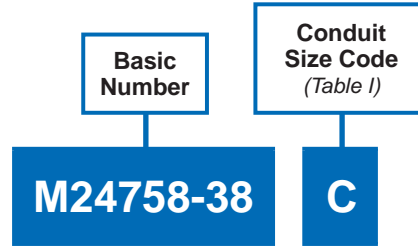
TABLE II: ORDER NUMBER

ORDER NO.	SHELL SIZE VG95234	CONNECTOR DESIGNATOR	A THREAD CLASS 2B	B MAX
10	10SL	—,A,C,D,E	5/8-24 UNEF	.795 (20.2)
11	10SL	B	9/16-24 UNEF	.831 (21.1)
12	12S	B	5/8-24 UNEF	.890 (22.6)
14	14S	—,A,B,C,D,E	3/4-20 UNEF	1.012 (25.7)
16	16S	—,A,B,C,D,E	7/8-20 UNEF	1.209 (30.7)
17	16	—,A,B,C,D,E	7/8-20 UNEF	1.209 (30.7)
18	18	—,A,B,C,D,E	1-20 UNEF	1.332 (33.8)
20	20	—,A,B,C,D,E	1 1/8-18 UNEF	1.457 (37.0)
22	22	—,A,B,C,D,E	1 1/4-18 UNEF	1.583 (40.2)
24	24	—,A,B,C,D,E	1 3/8-18 UNEF	1.771 (45.0)
28	28	—,A,B,C,D,E	1 5/8-18 UNEF	1.929 (49.0)
32	32	—,A,B,C,D,E	1 7/8-16 UNEF	2.217 (56.3)
36	36	—,A,C,D,E	2 1/16-16 UNS	2.345 (59.6)
37	36	B	2 1/8-16 UNS	2.449 (62.2)
39	40	B	2 3/8-16 UNS	2.724 (69.2)
40	40	—,A,C,D,E	2 5/16-16 UNS	2.590 (65.8)

TABLE III: CONNECTOR CODE AND FITTING DIMENSIONS

Connector Code	Manufacturer and Series Description
—	Glenair ITS Series, VG95234
A	Amphenol, GT Series, VG95234
B	ITT Cannon, VG95234
C	Litton Veam, CIR Series, VG95234
D	Space Craft, VG95234
E	JTech, JTCIR, VG95234
F	AB Connectors, VG95234
G	Van-System, VG95234
H	R3 Connector Systems, VG95234

A



APPLICATION NOTES

1. Assembly identified with manufacturer's code identification number (Glenair, part number and classification code 490).
2. Material / Finish:
Adapter - 316L SST/Electroless nickel, matte finish.
3. Metric dimensions (mm) are indicated in parentheses.

MIL-PRF-24758-38
Straight MIL-S-24235 Stuffing Tube Adapter
to NPT Pipe Thread



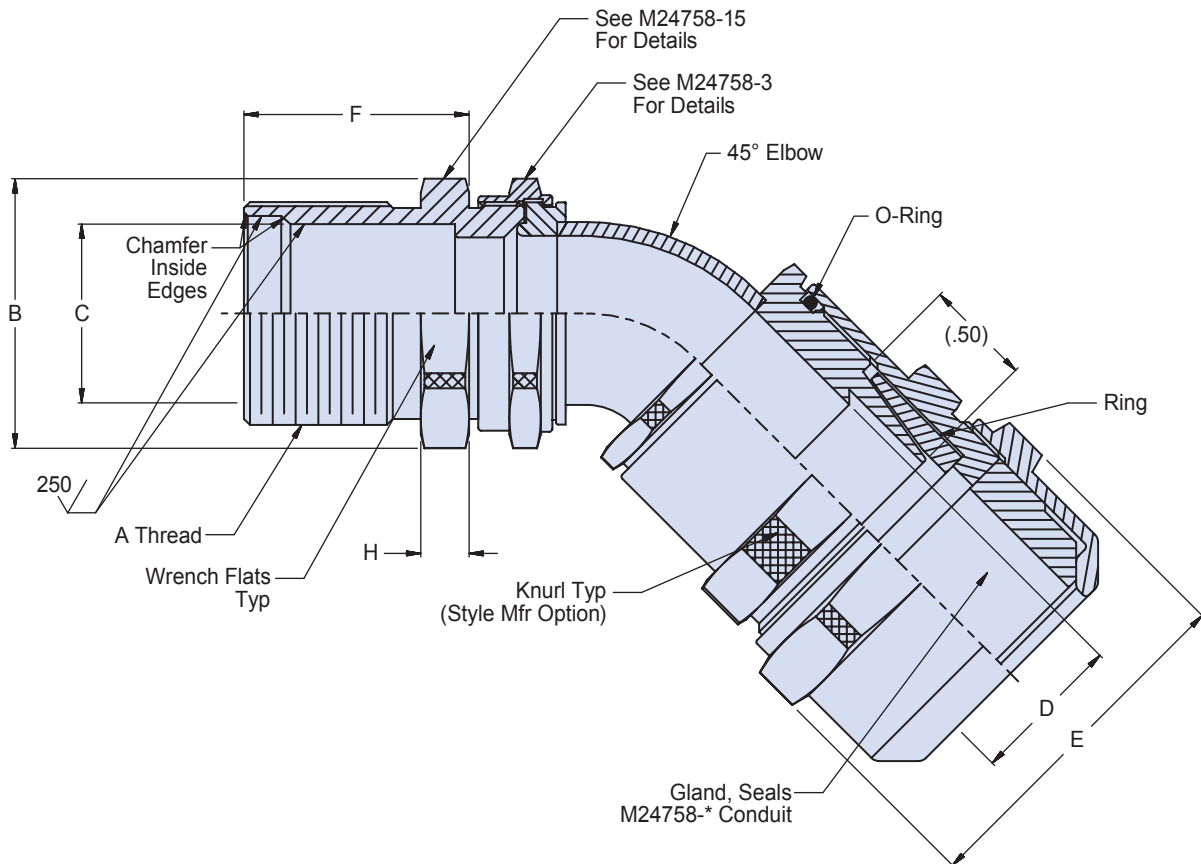
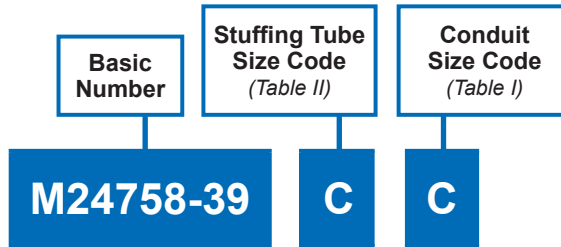
MIL-PRF
24758A

A

TABLE I: CONDUIT SIZE CODE AND DIMENSIONS

CONDUIT SIZE CODE	A THREAD CLASS 2B	B DIA	C DIA	D INTERNAL TAPER PIPE THREAD	E DIA	F WRENCH FLATS	G LENGTH
A	.875 - 12 UN	1.000 (25.40)	.406 (10.31)	3/4-14 NPT	1.190 (30.23)	1.000 (25.40)	2.750 (69.85)
B	1.000 - 12 UN	1.130 (28.70)	.515 (13.08)	3/4-14 NPT	1.250 (31.75)	1.125 (28.58)	1.125 (28.58)
C	1.125 - 12 UN	1.250 (31.75)	.640 (16.26)	1.0-11 1/2 NPT	1.440 (36.58)	1.250 (31.75)	3.000 (76.20)
D	1.250 - 12 UN	1.380 (35.05)	.750 (19.05)	1.0-11 1/2 NPT	1.500 (38.10)	1.375 (34.93)	3.000 (76.20)
E	1.250 - 12 UN	1.380 (35.05)	.812 (20.62)	1.0-11 1/2 NPT	1.500 (38.10)	1.375 (34.93)	3.130 (79.50)
F	1.312 - 12 UN	1.440 (36.58)	.843 (21.41)	1.0-11 1/2 NPT	1.630 (41.40)	1.500 (38.10)	3.130 (79.50)
G	1.500 - 12 UN	1.630 (41.40)	.953 (24.21)	1 1/4-11 1/2 NPT	1.750 (43.18)	1.625 (41.28)	3.250 (82.55)

A



APPLICATION NOTES

1. Assembly identified with manufacturer's code identification number (Glenair, part number and classification code 490).
2. The M24758-39 adapter couples MIL-S-24235/9 through MIL-S-24235/17 stuffing tubes to M24758-* conduit.
3. See M24758-3 for recommended torque values.
4. Material / Finish:
90° Elbow, adapters, nuts, sleeve and ring - 316L SST/Electroless nickel, matte finish.
O-Ring - Silicone rubber/NA
5. Metric dimensions (mm) are indicated in parentheses.

MIL-PRF-24758-39
45° Elbow • Conduit to Stuffing Tube



MIL-PRF
24758A

A

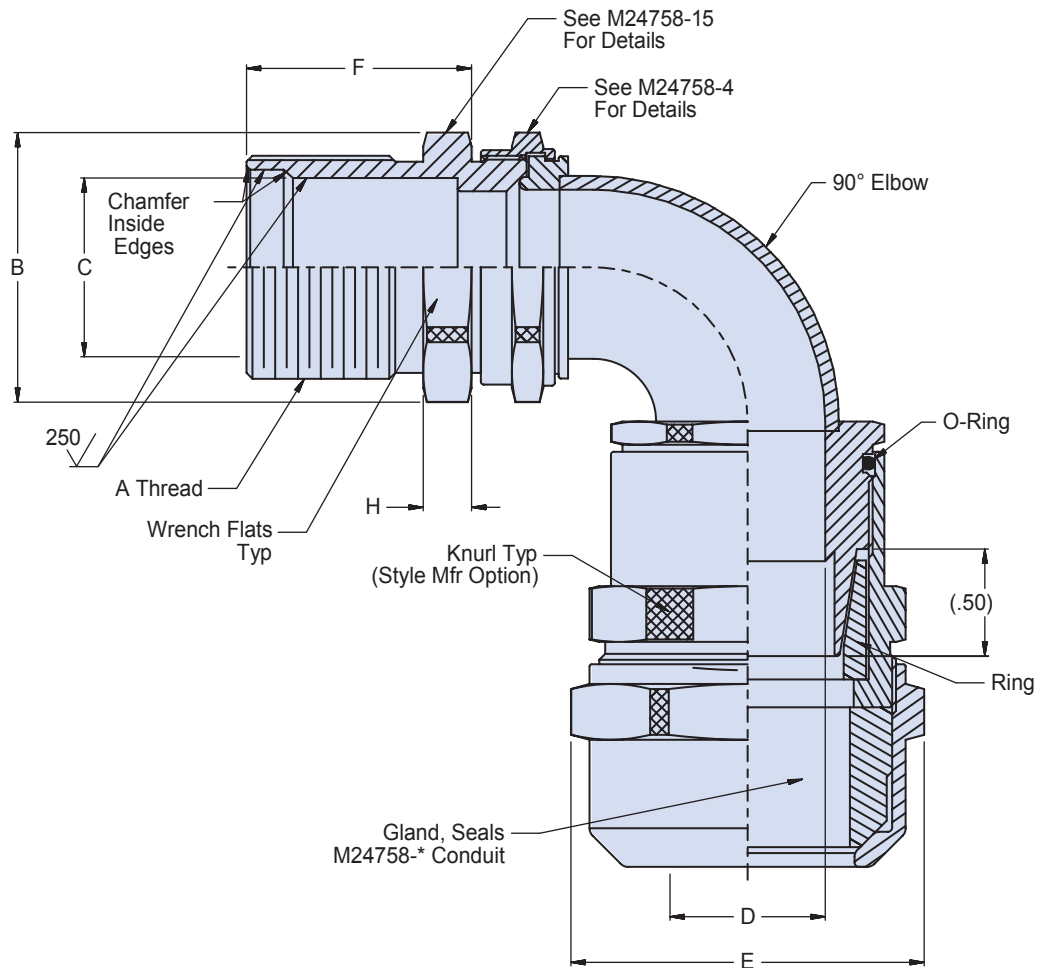
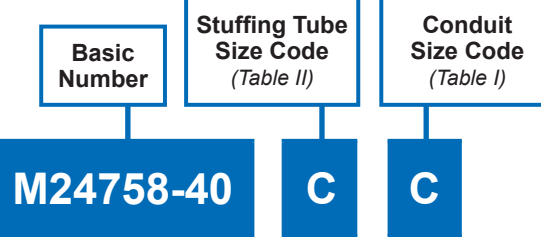
TABLE I: CONDUIT SIZE CODE

CONDUIT SIZE CODE	D MIN DIA	E MAX DIA
A	.245 (6.22)	1.18 (29.97)
B	.495 (12.57)	1.45 (36.83)
C	.745 (18.63)	1.79 (45.47)
D	.995 (25.73)	2.06 (52.32)
E	1.245 (31.63)	2.32 (58.93)
F	1.495 (37.97)	2.59 (65.79)
G	1.995 (50.63)	3.26 (82.80)
H	2.495 (63.37)	3.80 (96.52)
J	.370 (9.40)	1.32 (33.53)
K	.620 (15.75)	1.66 (42.16)
L	2.995 (76.03)	4.34 (110.24)

TABLE II: STUFFING TUBE SIZE, CONDUIT SIZE CODE AND DIMENSIONS

STUFFING TUBE SIZE	CONDUIT SIZE CODE	A CLASS - 2A THREAD	B DIA MAX	C DIA	F ± .020 (0.51)	H ± .020 (0.51)
A	A, B, J	.875-12UN	1.375 (34.93)	.406 (10.31)	1.063 (27.00)	.188 (4.78)
B	B	1.000-12UN	1.500 (38.10)	.515 (13.08)	1.063 (27.00)	.188 (4.78)
C	B, C, K	1.250-12UN	1.625 (41.28)	.640 (16.26)	1.063 (27.00)	.188 (4.78)
D	C, K	1.250-12UN	1.750 (44.45)	.750 (19.05)	1.063 (27.00)	.188 (4.78)
E	D	1.313-12UN	2.750 (69.85)	.812 (20.62)	1.063 (27.00)	.188 (4.78)
F	D	1.625-12UN	2.812 (71.42)	.843 (21.41)	1.188 (30.18)	.188 (4.78)
G	E	1.750-12UN	2.000 (50.80)	.935 (23.75)	1.188 (30.18)	.188 (4.78)
J	E	1.813-12UN	2.125 (53.98)	1.062 (26.97)	1.188 (30.18)	.188 (4.78)
K	E	2.000-12UN	2.250 (57.15)	1.171 (29.74)	1.500 (38.10)	.188 (4.78)
L	E, F	2.063-12UN	2.312 (58.72)	1.265 (32.13)	1.500 (38.10)	.188 (4.78)
M	F	2.188-12UN	2.500 (63.50)	1.406 (35.71)	1.500 (38.10)	.250 (6.35)
N	G	2.313-12UN	2.625 (66.66)	1.515 (38.48)	1.563 (39.70)	.250 (6.35)
P	G	2.688-12UN	2.750 (69.85)	1.625 (41.28)	1.563 (39.70)	.250 (6.35)
R	G	2.875-12UN	2.875 (73.03)	1.750 (44.45)	1.563 (39.70)	.250 (6.35)
S	G	3.000-12UN	3.250 (82.55)	1.875 (47.63)	2.188 (55.58)	.313 (7.95)
T	G	2.875-12UN	3.500 (88.90)	2.062 (52.37)	2.188 (55.58)	.313 (7.95)
V	G, H	3.000-12UN	3.625 (92.08)	2.187 (55.55)	2.188 (55.58)	.313 (7.95)
W	H	3.125-12UN	3.750 (95.25)	2.312 (58.72)	2.188 (55.58)	.313 (7.95)
X	H	3.250-12UN	3.875 (98.43)	2.500 (63.50)	2.188 (55.58)	.313 (7.95)
Y	H	3.375-12UN	4.000 (101.60)	2.609 (66.27)	2.188 (55.58)	.313 (7.95)
Z	H	3.563-12UN	4.250 (107.95)	2.781 (70.64)	2.188 (55.58)	.313 (7.95)
AA	H	3.750-12UN	4.500 (114.30)	2.875 (73.03)	3.125 (79.38)	.438 (11.13)
BB	H, L	4.000-12UN	4.750 (120.65)	3.157 (80.19)	3.125 (79.38)	.438 (11.13)

A



APPLICATION NOTES

- Assembly identified with manufacturer's code identification number (Glenair, part number and classification code 490).
- The M24758-40 adapter couples MIL-S-24235/9 through MIL-S-24235/17 stuffing tubes to M24758-* conduit.
- See M24758-4 for recommended torque values.
- Material / Finish:
90° Elbow, adapters, nuts, sleeve and ring - 316L SST/Electroless nickel, matte finish.
O-Ring - Silicone rubber/NA
- Metric dimensions (mm) are indicated in parentheses.

MIL-PRF-24758-40
90° Elbow • Conduit to Stuffing Tube



MIL-PRF
24758A

A

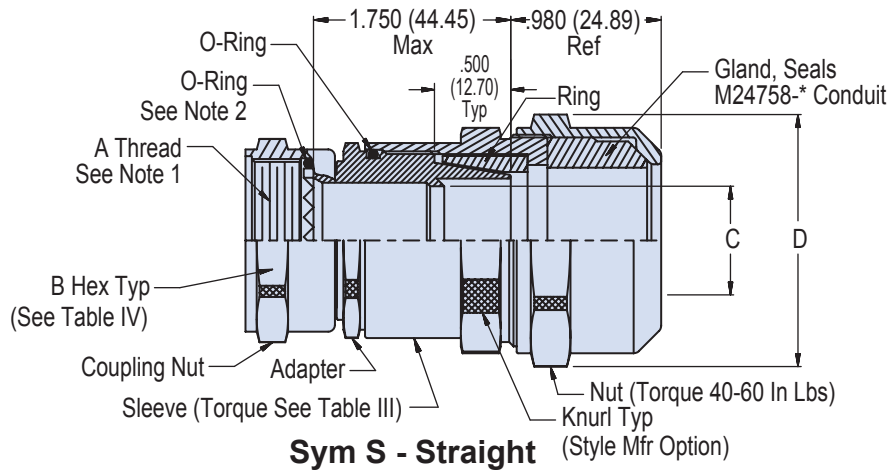
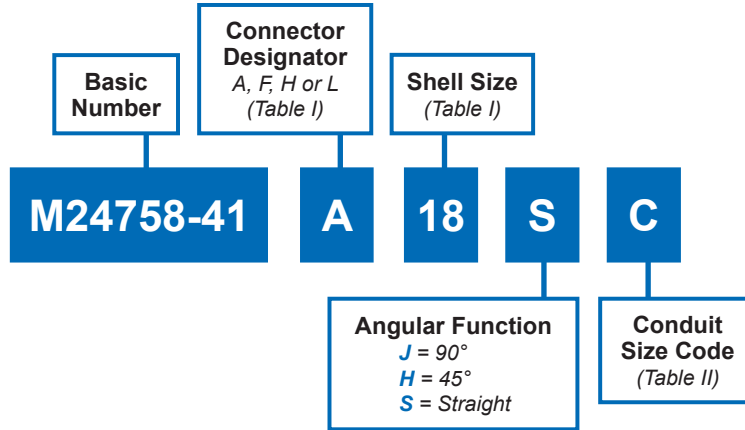
TABLE I: CONDUIT SIZE CODE

CONDUIT SIZE CODE	D MIN DIA	E MAX DIA
A	.245 (6.22)	1.18 (29.97)
B	.495 (12.57)	1.45 (36.83)
C	.745 (18.63)	1.79 (45.47)
D	.995 (25.73)	2.06 (52.32)
E	1.245 (31.63)	2.32 (58.93)
F	1.495 (37.97)	2.59 (65.79)
G	1.995 (50.63)	3.26 (82.80)
H	2.495 (63.37)	3.80 (96.52)
J	.370 (9.40)	1.32 (33.53)
K	.620 (15.75)	1.66 (42.16)
L	2.995 (76.03)	4.34 (110.24)

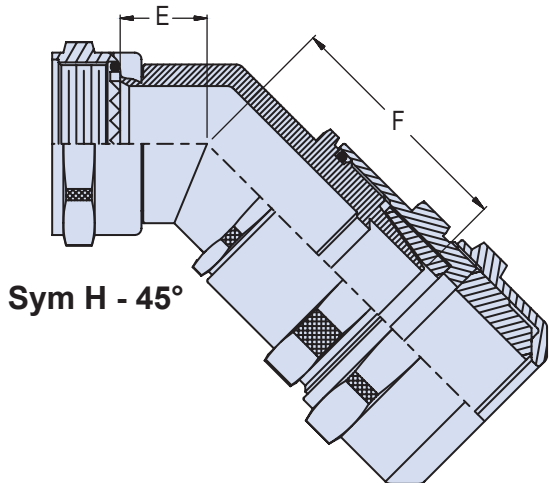
TABLE II: STUFFING TUBE SIZE, CONDUIT SIZE CODE AND DIMENSIONS

STUFFING TUBE SIZE	CONDUIT SIZE CODE	A CLASS - 2A THREAD	B DIA MAX	C DIA	F ± .020 (0.51)	H ± .020 (0.51)
A	A, B, J	.875-12UN	1.375 (34.93)	.406 (10.31)	1.063 (27.00)	.188 (4.78)
B	B	1.000-12UN	1.500 (38.10)	.515 (13.08)	1.063 (27.00)	.188 (4.78)
C	B, C, K	1.250-12UN	1.625 (41.28)	.640 (16.26)	1.063 (27.00)	.188 (4.78)
D	C, K	1.250-12UN	1.750 (44.45)	.750 (19.05)	1.063 (27.00)	.188 (4.78)
E	D	1.313-12UN	2.750 (69.85)	.812 (20.62)	1.063 (27.00)	.188 (4.78)
F	D	1.625-12UN	2.812 (71.42)	.843 (21.41)	1.188 (30.18)	.188 (4.78)
G	E	1.750-12UN	2.000 (50.80)	.935 (23.75)	1.188 (30.18)	.188 (4.78)
J	E	1.813-12UN	2.125 (53.98)	1.062 (26.97)	1.188 (30.18)	.188 (4.78)
K	E	2.000-12UN	2.250 (57.15)	1.171 (29.74)	1.500 (38.10)	.188 (4.78)
L	E, F	2.063-12UN	2.312 (58.72)	1.265 (32.13)	1.500 (38.10)	.188 (4.78)
M	F	2.188-12UN	2.500 (63.50)	1.406 (35.71)	1.500 (38.10)	.250 (6.35)
N	G	2.313-12UN	2.625 (66.66)	1.515 (38.48)	1.563 (39.70)	.250 (6.35)
P	G	2.688-12UN	2.750 (69.85)	1.625 (41.28)	1.563 (39.70)	.250 (6.35)
R	G	2.875-12UN	2.875 (73.03)	1.750 (44.45)	1.563 (39.70)	.250 (6.35)
S	G	3.000-12UN	3.250 (82.55)	1.875 (47.63)	2.188 (55.58)	.313 (7.95)
T	G	2.875-12UN	3.500 (88.90)	2.062 (52.37)	2.188 (55.58)	.313 (7.95)
V	G, H	3.000-12UN	3.625 (92.08)	2.187 (55.55)	2.188 (55.58)	.313 (7.95)
W	H	3.125-12UN	3.750 (95.25)	2.312 (58.72)	2.188 (55.58)	.313 (7.95)
X	H	3.250-12UN	3.875 (98.43)	2.500 (63.50)	2.188 (55.58)	.313 (7.95)
Y	H	3.375-12UN	4.000 (101.60)	2.609 (66.27)	2.188 (55.58)	.313 (7.95)
Z	H	3.563-12UN	4.250 (107.95)	2.781 (70.64)	2.188 (55.58)	.313 (7.95)
AA	H	3.750-12UN	4.500 (114.30)	2.875 (73.03)	3.125 (79.38)	.438 (11.13)
BB	H, L	4.000-12UN	4.750 (120.65)	3.157 (80.19)	3.125 (79.38)	.438 (11.13)

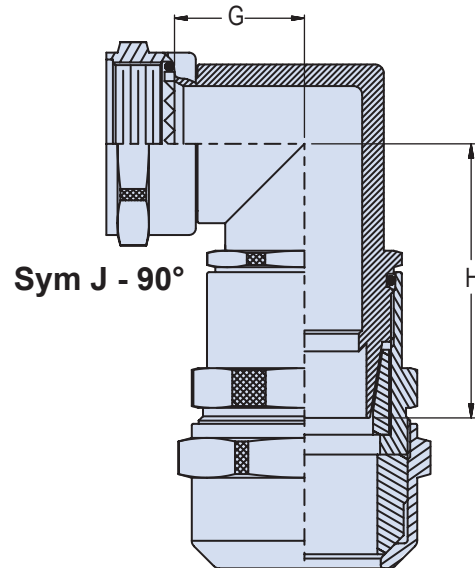
A



Sym S - Straight



Sym H - 45°



Sym J - 90°

MIL-PRF-24758-41

90°, 45° or Straight User Installable Connector Adapters for Glenair MIL-PRF-24758 Series Conduit



MIL-PRF
24758A

A

TABLE I: SHELL SIZE AND DIMENSIONS

SHELL SIZE		E MAX	F MAX	G MAX	H MAX	MAX CONDUIT SIZE CODE (See Note 3)
A, F, L	H					
08	09	.740 (18.80)	1.660 (42.16)	.950 (24.13)	1.970 (50.04)	J .375 (9.53)
10/11	11	.760 (19.30)	1.700 (43.18)	1.020 (25.91)	2.070 (52.58)	B .500 (12.70)
12/13	13	.790 (20.07)	1.730 (43.94)	1.120 (28.45)	2.140 (54.36)	K .625 (15.88)
14/13	15	.830 (21.08)	1.780 (45.21)	1.190 (30.23)	2.210 (56.13)	C .750 (19.05)
16/17	17	.880 (22.35)	1.850 (46.99)	1.320 (33.53)	2.380 (60.45)	D 1.000 (25.40)
18/19	19	.880 (22.35)	1.850 (46.99)	1.320 (33.53)	2.380 (60.45)	D 1.000 (25.40)
20/21	21	1.070 (27.18)	1.910 (48.51)	1.520 (38.61)	2.520 (64.01)	E 1.250 (31.75)
22/23	23	1.070 (27.18)	1.910 (48.51)	1.520 (38.61)	2.520 (64.01)	E 1.250 (31.75)
24/25	25	1.160 (29.46)	2.010 (51.05)	1.660 (42.16)	2.730 (69.34)	F 1.500 (38.10)
28		1.160 (29.46)	2.010 (51.05)	1.660 (42.16)	2.730 (69.34)	F 1.500 (38.10)
32		1.260 (32.00)	2.110 (53.59)	1.990 (50.55)	3.090 (78.49)	G 2.000 (50.80)
36		1.260 (32.00)	2.110 (53.59)	1.990 (50.55)	3.090 (78.49)	G 2.000 (50.80)
40		1.310 (33.27)	2.180 (55.37)	2.260 (57.40)	3.210 (81.53)	H 2.500 (63.50)
44		1.310 (33.27)	2.180 (55.37)	2.260 (57.40)	3.210 (81.53)	H 2.500 (63.50)
48		1.420 (36.07)	2.290 (58.17)	2.570 (65.28)	3.420 (86.87)	L 3.000 (76.20)
61		1.070 (27.18)	1.910 (48.51)	1.520 (38.61)	2.520 (64.01)	E 1.250 (31.75)

TABLE IV

SHELL SIZE		B HEX
A, F, L	H	
08		.625 (15.88)
	09	.687 (17.45)
10/11		.750 (19.05)
	11	.812 (20.62)
12/13		.875 (22.23)
	13	.937 (23.80)
14/15		1.000 (25.40)
	15	1.062 (26.97)
16/17		1.125 (28.58)
	17	1.250 (31.75)
18/19		1.187 (30.15)
	19	1.375 (34.93)
20/21		1.312 (33.32)
	21	1.500 (38.10)
22/23		1.437 (36.50)
	23	1.625 (41.28)
24/25		1.562 (39.67)
	25	1.750 (44.45)
28		1.875 (47.63)
32		2.125 (53.98)
36		2.375 (60.33)
40		2.625 (66.68)
44		3.000 (76.20)
48		3.250 (82.55)
61		1.625 (41.28)

TABLE II

CONDUIT SIZE CODE	C I.D.	D MAX
A	.250 (6.350)	1.18 (29.97)
J	.375 (9.525)	1.32 (33.53)
B	.500 (12.70)	1.45 (36.83)
K	.625 (15.88)	1.66 (42.16)
C	.750 (19.05)	1.79 (45.47)
D	1.000 (25.40)	2.06 (52.32)
E	1.250 (31.75)	2.32 (58.93)
F	1.500 (38.10)	2.59 (65.79)
G	2.000 (50.80)	3.26 (82.80)
H	2.500 (63.50)	3.80 (96.52)
L	3.000 (76.20)	4.34 (110.24)

**TABLE III
RECOMMENDED
SLEEVE TORQUE**

CONDUIT SIZE CODE	± 5 INCH POUNDS
A	120
J	140
B	150
K	170
C	170
D	170
E	170
F	170
G	120
H	140
L	170

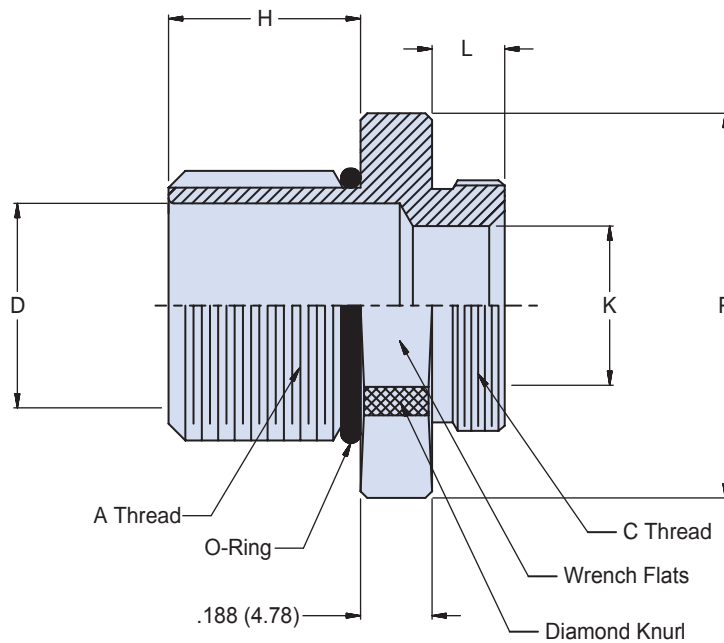
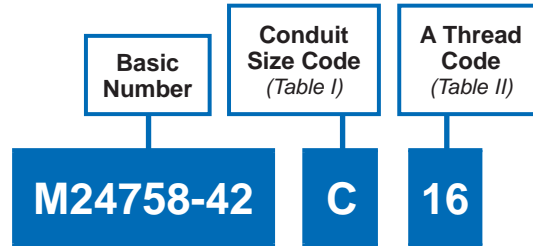
APPLICATION NOTES

- See the Common Accessory Interface Data Table on page G-2 in this catalog.
- O-Ring not supplied with connector designator A.
- When maximum conduit size code is exceeded, dimensions E, F, G and H may be exceeded. Consult factory for dimensions.
- Assembly identified with manufacturer's code identification number (Glenair, part number and classification code 490).
- Glenair Series 600 Backshell Assembly Tools are recommended for assembly and installation.
- Material / Finish:
Coupling nuts, adapters, nuts, sleeves, elbows and rings - 316L SST/
Electroless nickel, matte finish.
O-Ring and gland - Silicone rubber/NA
- Metric dimensions (mm) are indicated in parentheses.

MIL-PRF-24758-42

Straight Adapter for Metric Thread

A



APPLICATION NOTES

1. Assembly identified with manufacturer's code identification number (Glenair, part number and classification code 490).
2. The M24758-42 adapter couples M25758-2, M24758-3 or M24758-4 series fittings.
3. Material / Finish:
Adapter - 316L SST/Electroless nickel matte finish.
O-Ring - Silicone rubber/NA
4. Metric dimensions (mm) are indicated in parentheses.

MIL-PRF-24758-42 Straight Adapter for Metric Thread



MIL-PRF
24758A

A

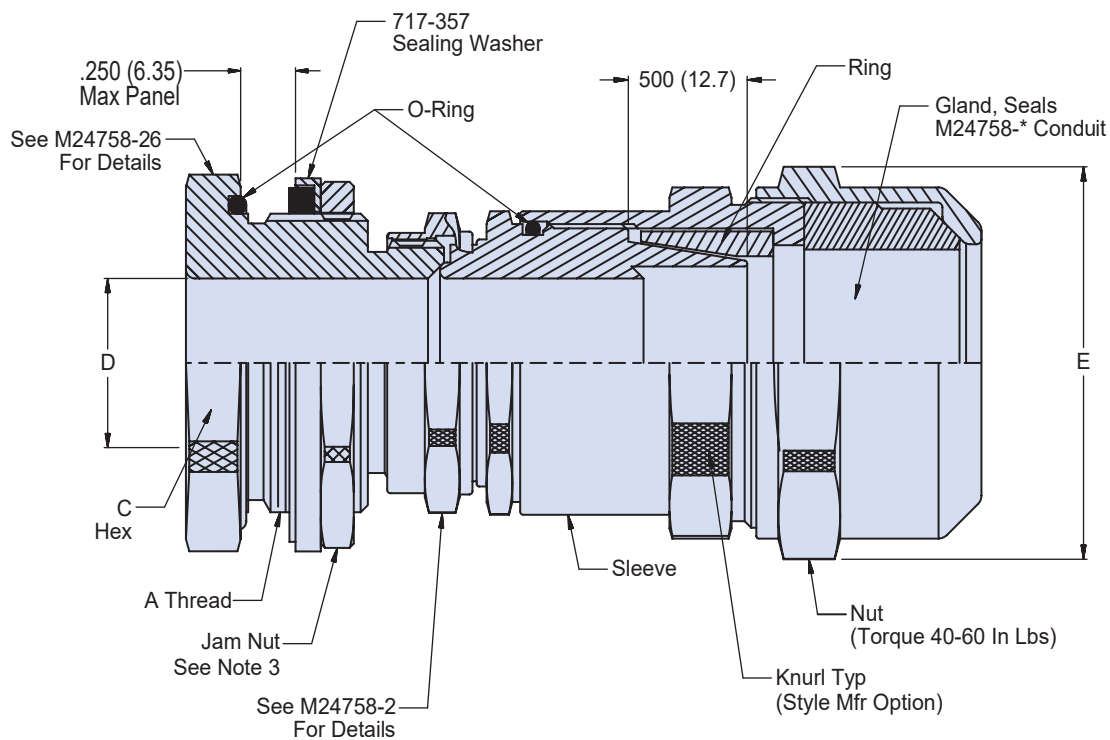
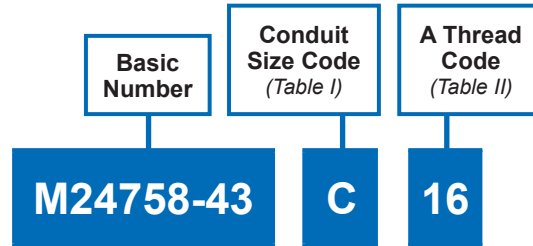
TABLE I: CONDUIT SIZE CODE

CONDUIT SIZE CODE	C CLASS 2A THREAD	L +.030 (0.76) - .000	K DIA MIN
A	.438-28 UNEF	.210 (5.33)	.245 (6.22)
B	.688-28 UNEF	.250 (6.35)	.495 (12.57)
C	.938-20 UNEF	.310 (7.87)	.745 (18.92)
D	1.250-18 UNEF	.370 (9.40)	.995 (24.88)
E	1.563-18 UNEF	.370 (9.40)	1.245 (31.62)
F	1.875-16 UNEF	.430 (10.92)	1.495 (37.97)
G	2.375-16 UNEF	.430 (10.92)	1.995 (50.67)
H	2.875-16 UNEF	.430 (10.92)	2.495 (63.37)
J	.563-24 UNEF	.250 (6.35)	.370 (9.40)
K	.813-20 UNEF	.310 (7.87)	.620 (15.75)
L	3.375-16 UNEF	.430 (10.92)	2.995 (76.07)

TABLE II: THREAD SIZE CODE AND DIMENSIONS

THREAD SIZE CODE	A THREAD	D DIA	H DIM	P DIM MAX	CONDUIT SIZE
12	M12 X 1.5 6g	.281 (7.14)	.295 (7.49)	.880 (22.35)	.245 (6.22)
16	M16 X 1.5 6g	.438 (11.13)	.295 (7.49)	1.000 (25.40)	.245 (6.22)
20	M20 X 1.5 6g	.594 (15.09)	.295 (7.49)	1.250 (31.75)	.245 (6.22)
25	M25 X 1.5 6g	.781 (19.84)	.295 (7.49)	1.630 (41.40)	.245 (6.22)
32	M32 X 1.5 6g	1.000 (25.40)	.295 (7.49)	2.000 (50.80)	.245 (6.22)
40	M40 X 1.5 6g	1.375 (34.93)	.295 (7.49)	2.440 (61.98)	.245 (6.22)
50	M50 X 1.5 6g	1.750 (44.45)	.295 (7.49)	3.000 (76.20)	.245 (6.22)
63	M63 X 1.5 6g	2.250 (57.15)	.295 (7.49)	3.560 (90.42)	.245 (6.22)

A



APPLICATION NOTES

1. Assembly identified with manufacturer's code identification number (Glenair, part number and classification code 490).
2. The function of the M24758-43 fitting is to terminate M24758-* flexible shielding conduit with a reusable adapter panel termination.
3. Use Glenair 600-176 jam nut wrench.
4. Material / Finish:
Adapter, nuts, sleeve and ring - 316L SST/Electroless nickel matte finish.
O-Ring and gland - Silicone rubber/NA
Sealing washer - See individual drawing.
5. Metric dimensions (mm) are indicated in parentheses.

MIL-PRF-24758-43 Straight Adapter • Conduit to Panel Termination



MIL-PRF
24758A

A

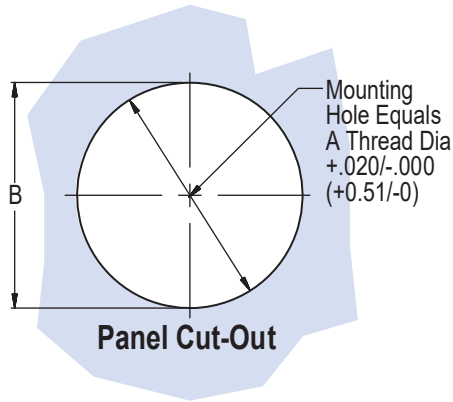


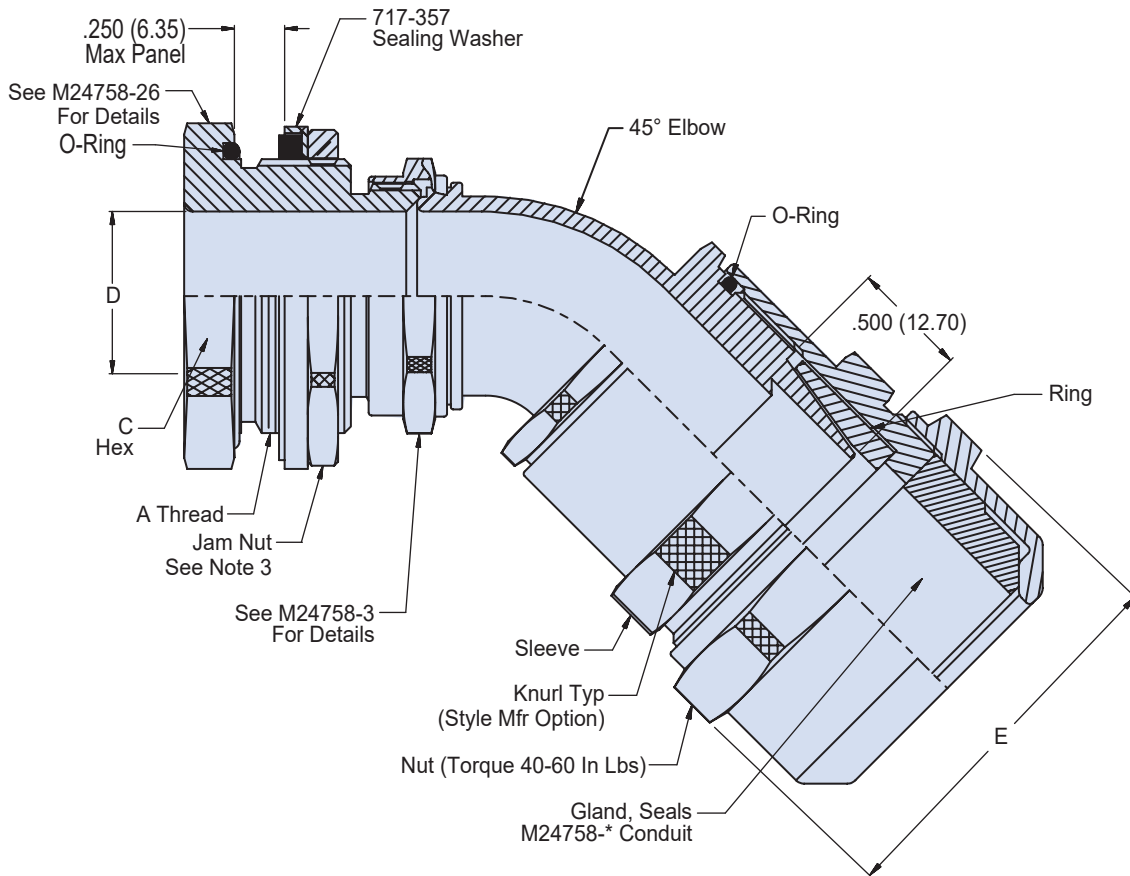
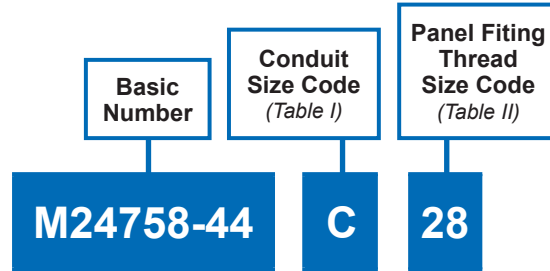
TABLE I: CONDUIT SIZE CODE

CONDUIT SIZE CODE	D MIN DIA	E MAX DIA
A	.245 (6.22)	1.18 (29.97)
B	.495 (12.57)	1.45 (36.83)
C	.745 (18.92)	1.79 (45.47)
D	.995 (24.88)	2.06 (52.32)
E	1.245 (31.62)	2.32 (58.93)
F	1.495 (37.97)	2.59 (65.79)
G	1.995 (50.67)	3.26 (82.80)
H	2.495 (63.37)	3.80 (96.52)
J	.370 (9.40)	1.32 (33.53)
K	.620 (15.75)	1.66 (42.16)
L	2.995 (76.07)	4.34 (110.24)

TABLE II

DASH NO	A CLASS - 2A THREAD	B +.03 (0.8) -0.00	C FLATS	MAX SIZE CODE (TABLE I)		RECOMMENDED TORQUE VALUES INCH LBS (See Note 3)
				J	B	
20	5/8-24 UNEF	.630 (16.0)	.875 (22.2)	J	B	40 - 50
24	3/4-20 UNEF	.750 (19.1)	1.000 (25.4)	B	K	50 - 60
28	7/8-20 UNEF	.880 (22.4)	1.125 (28.6)	K	C	
32	1-20 UNEF	1.000 (25.4)	1.250 (31.8)	C	-	
36	1 1/8-18 UNEF	1.130 (28.7)	1.375 (34.9)	C	D	80 - 90
40	1 1/4-18 UNEF	1.250 (31.8)	1.500 (38.1)	D	-	
42	1 5/16-18 UNEF	1.310 (33.3)	1.625 (41.3)	D	-	
48	1 1/2-18 UNEF	1.500 (38.1)	1.750 (44.5)	D	E	
56	1 3/4-16 UN	1.750 (55.5)	2.000 (50.8)	E	F	100 - 110
64	2-16 UN	2.000 (50.8)	2.250 (57.15)	F	-	
80	2 1/2-16 UN	2.500 (63.50)	2.750 (69.85)	G	-	150 - 160
96	3-16 UN	3.000 (76.20)	3.250 (82.55)	H	-	
112	3 1/2-16 UN	3.500 (88.90)	3.750 (95.25)	L	-	
				Type 1	Type 2	

A



APPLICATION NOTES

1. Assembly identified with manufacturer's code identification number (Glenair, part number and classification code 490).
2. The function of the M24758-44 fitting is to terminate M24758-* flexible shielding conduit with a reusable adapter panel termination.
3. Use Glenair 600-176 jam nut wrench.
4. Material / Finish:
Adapter, nuts, 45° elbow, sleeve and ring - 316L SST/Electroless nickel matte finish.
O-Ring and gland - Silicone rubber/NA
Sealing washer - See individual drawing.
5. Metric dimensions (mm) are indicated in parentheses.

MIL-PRF-24758-44 45° Elbow • Conduit To Panel Termination



MIL-PRF
24758A

A

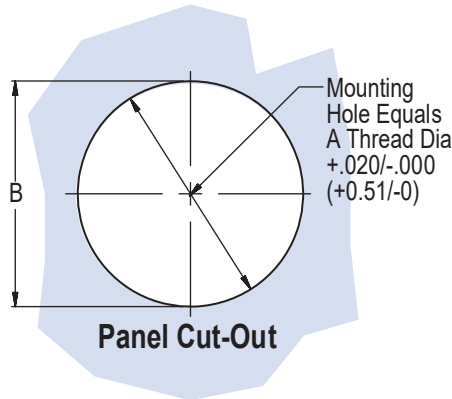


TABLE I: CONDUIT SIZE CODE

CONDUIT SIZE CODE	D MIN DIA	E MAX DIA
A	.245 (6.22)	1.18 (29.97)
B	.495 (12.57)	1.45 (36.83)
C	.745 (18.92)	1.79 (45.47)
D	.995 (24.88)	2.06 (52.32)
E	1.245 (31.62)	2.32 (58.93)
F	1.495 (37.97)	2.59 (65.79)
G	1.995 (50.67)	3.26 (82.80)
H	2.495 (63.37)	3.80 (96.52)
J	.370 (9.40)	1.32 (33.53)
K	.620 (15.75)	1.66 (42.16)
L	2.995 (76.07)	4.34 (110.24)

TABLE II

DASH NO	A CLASS - 2A THREAD	B +.03 (0.8) -0.00	C FLATS	MAX SIZE CODE (TABLE I)		RECOMMENDED TORQUE VALUES INCH LBS (See Note 3)
				Type 1	Type 2	
20	5/8-24 UNEF	.630 (16.0)	.875 (22.2)	J	B	40 - 50
24	3/4-20 UNEF	.750 (19.1)	1.000 (25.4)	B	K	50 - 60
28	7/8-20 UNEF	.880 (22.4)	1.125 (28.6)	K	C	
32	1-20 UNEF	1.000 (25.4)	1.250 (31.8)	C	-	
36	1 1/8-18 UNEF	1.130 (28.7)	1.375 (34.9)	C	D	80 - 90
40	1 1/4-18 UNEF	1.250 (31.8)	1.500 (38.1)	D	-	
42	1 5/16-18 UNEF	1.310 (33.3)	1.625 (41.3)	D	-	
48	1 1/2-18 UNEF	1.500 (38.1)	1.750 (44.5)	D	E	100 - 110
56	1 3/4-16 UN	1.750 (55.5)	2.000 (50.8)	E	F	
64	2-16 UN	2.000 (50.8)	2.250 (57.15)	F	-	150 - 160
80	2 1/2-16 UN	2.500 (63.50)	2.750 (69.85)	G	-	
96	3-16 UN	3.000 (76.20)	3.250 (82.55)	H	-	
112	3 1/2-16 UN	3.500 (88.90)	3.750 (95.25)	L	-	

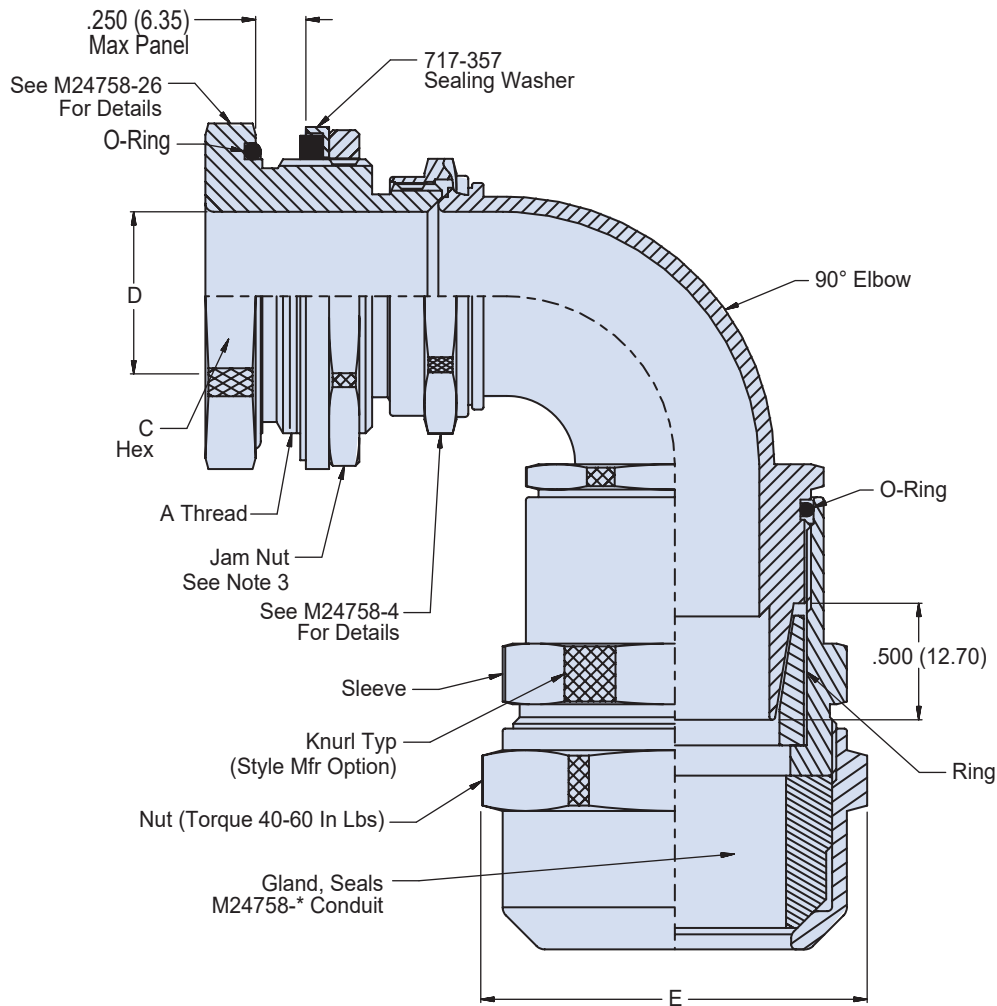
A

Basic
NumberConduit
Size Code
(Table I)Panel Fitting
Thread
Size Code
(Table II)

M24758-45

C

28



APPLICATION NOTES

1. Assembly identified with manufacturer's code identification number (Glenair, part number and classification code 490).
2. The function of the M24758-45 fitting is to terminate M24758-* flexible shielding conduit with a reusable adapter panel termination.
3. Use Glenair 600-176 jam nut wrench.
4. Material / Finish:
90° Elbow, nuts, 90° elbow, sleeve and ring - 316L SST/
Electroless nickel, matte finish.
O-Ring and gland - Silicone rubber/NA
Sealing washer - See individual drawing.
5. Metric dimensions (mm) are indicated in parentheses.

MIL-PRF-24758-45 90° Elbow • Conduit To Panel Termination



MIL-PRF
24758A

A

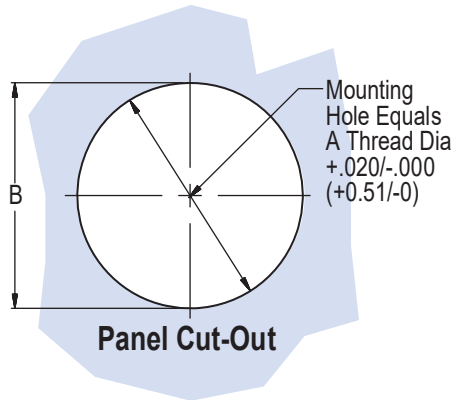


TABLE I: CONDUIT SIZE CODE

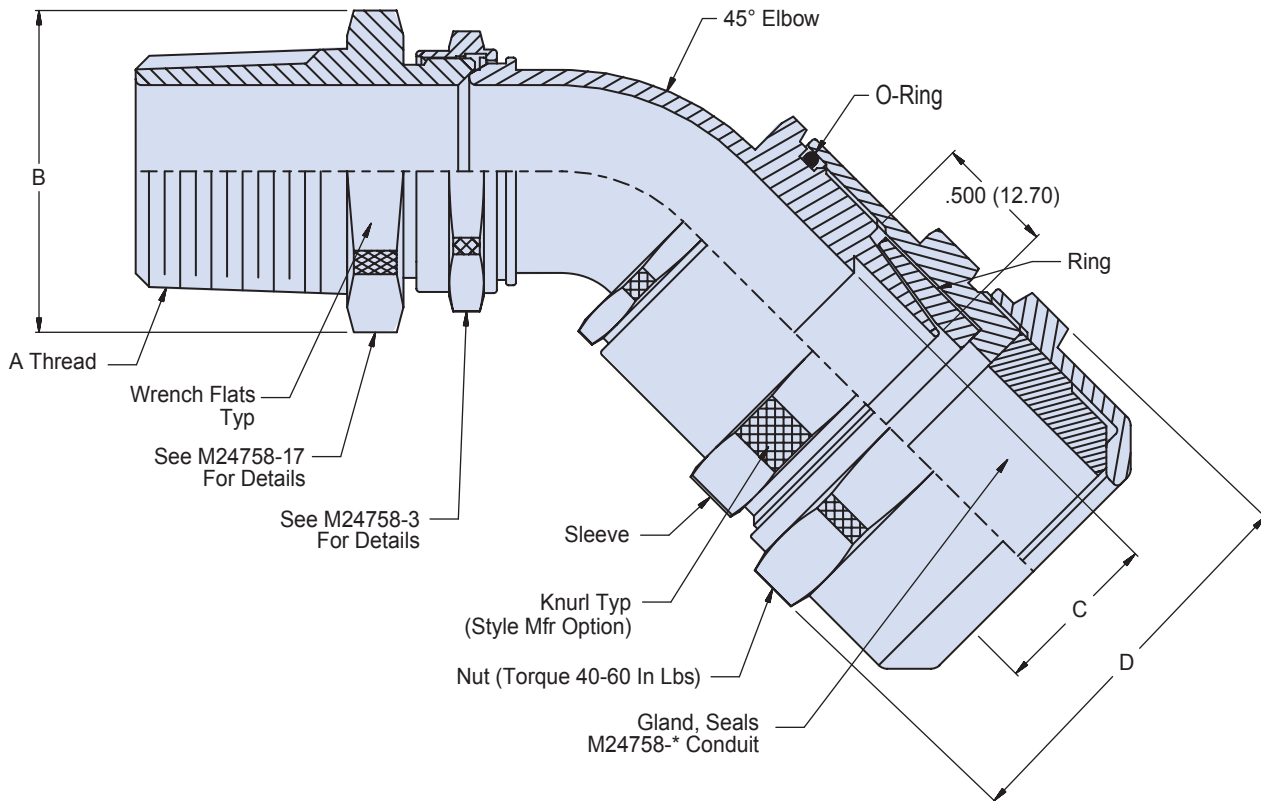
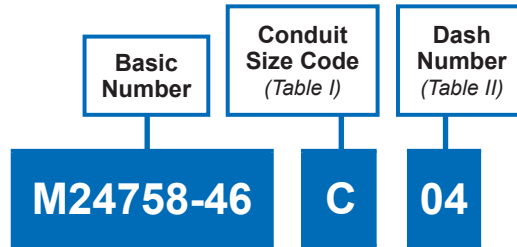
CONDUIT SIZE CODE	D MIN DIA	E MAX DIA
A	.245 (6.22)	1.18 (29.97)
B	.495 (12.57)	1.45 (36.83)
C	.745 (18.92)	1.79 (45.47)
D	.995 (24.88)	2.06 (52.32)
E	1.245 (31.62)	2.32 (58.93)
F	1.495 (37.97)	2.59 (65.79)
G	1.995 (50.67)	3.26 (82.80)
H	2.495 (63.37)	3.80 (96.52)
J	.370 (9.40)	1.32 (33.53)
K	.620 (15.75)	1.66 (42.16)
L	2.995 (76.07)	4.34 (110.24)

TABLE II

DASH NO	A CLASS - 2A THREAD	B +.03 (0.8) - .00	C FLATS	MAX SIZE CODE (TABLE I)		RECOMMENDED TORQUE VALUES INCH LBS (See Note 3)
				Type 1	Type 2	
20	5/8-24 UNEF	.630 (16.0)	.875 (22.2)	J	B	40 – 50
24	3/4-20 UNEF	.750 (19.1)	1.000 (25.4)	B	K	50 – 60
28	7/8-20 UNEF	.880 (22.4)	1.125 (28.6)	K	C	
32	1-20 UNEF	1.000 (25.4)	1.250 (31.8)	C	-	
36	1 1/8-18 UNEF	1.130 (28.7)	1.375 (34.9)	C	D	80 – 90
40	1 1/4-18 UNEF	1.250 (31.8)	1.500 (38.1)	D	-	
42	1 5/16-18 UNEF	1.310 (33.3)	1.625 (41.3)	D	-	
48	1 1/2-18 UNEF	1.500 (38.1)	1.750 (44.5)	D	E	100 – 110
56	1 3/4-16 UN	1.750 (55.5)	2.000 (50.8)	E	F	
64	2-16 UN	2.000 (50.8)	2.250 (57.15)	F	-	
80	2 1/2-16 UN	2.500 (63.50)	2.750 (69.85)	G	-	150 – 160
96	3-16 UN	3.000 (76.20)	3.250 (82.55)	H	-	
112	3 1/2-16 UN	3.500 (88.90)	3.750 (95.25)	L	-	

Type 1 Type 2

A



APPLICATION NOTES

1. Assembly identified with manufacturer's code identification number (Glenair, part number and classification code 490).
2. The function of the M24758-46 fitting is to terminate M24758-* flexible shielding conduit to a reusable fitting having an external tapered pipe thread.
3. Use Glenair 600-176 jam nut wrench.
4. Material / Finish:
45° Elbow, nuts, 90° elbow, sleeve and ring - 316L SST/
Electroless nickel, matte finish.
O-Ring and gland - Silicone rubber/NA
Sealing washer - See individual drawing.
5. Metric dimensions (mm) are indicated in parentheses.

MIL-PRF-24758-46
45° Elbow • Conduit to Tapered Pipe Thread



MIL-PRF
24758A

A

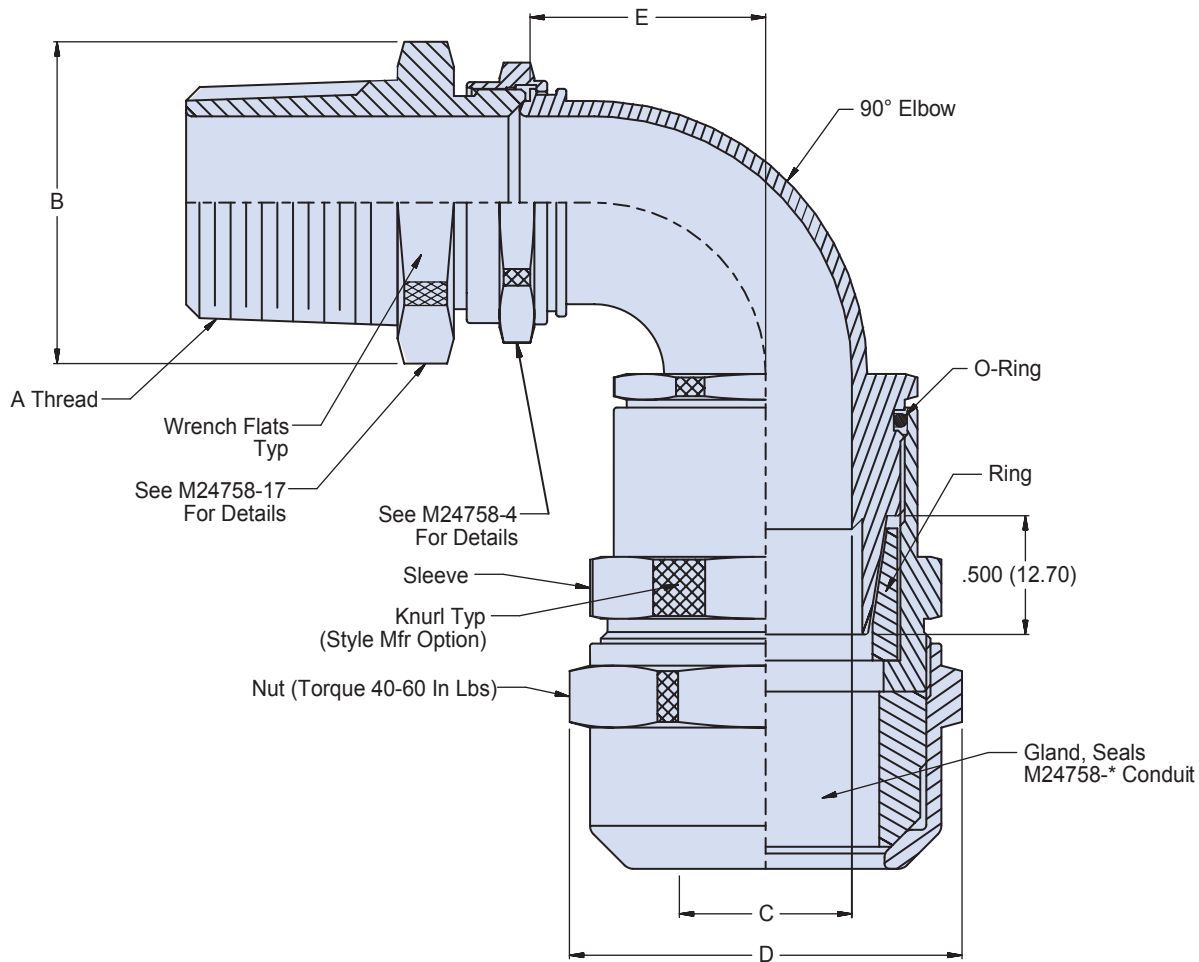
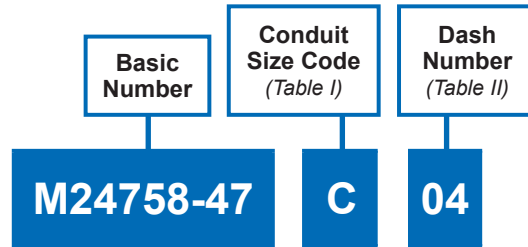
TABLE I: CONDUIT SIZE CODE

CONDUIT SIZE CODE	C MIN DIA	D MAX DIA
A	.245 (6.22)	1.18 (29.97)
B	.495 (12.57)	1.45 (36.83)
C	.745 (18.92)	1.79 (45.47)
D	.995 (24.88)	2.06 (52.32)
E	1.245 (31.62)	2.32 (58.93)
F	1.495 (37.97)	2.59 (65.79)
G	1.995 (50.67)	3.26 (82.80)
H	2.495 (63.37)	3.80 (96.52)
J	.370 (9.40)	1.32 (33.53)
K	.620 (15.75)	1.66 (42.16)
L	2.995 (76.07)	4.34 (110.24)

TABLE II: DASH NUMBER

DASH NUMBER	A EXTERNAL TAPER PIPE THREAD	B MAX DIA
01	.250-18 NPT	1.000 (25.40)
02	.375-18 NPT	1.130 (28.70)
03	.500-14 NPT	1.250 (31.75)
04	.750-14 NPT	1.500 (38.10)
05	1.000-11.5 NPT	1.750 (44.45)
06	1.250-11.5 NPT	2.130 (54.10)
07	1.500-11.5 NPT	2.380 (60.45)
08	2.000-11.5 NPT	2.880 (73.15)
09	2.500-8 NPT	3.380 (85.85)
10	3.000-8 NPT	4.130 (104.90)

A



APPLICATION NOTES

1. Assembly identified with manufacturer's code identification number (Glenair, part number and classification code 490).
2. The function of the M24758-47 fitting is to terminate M24758-* flexible shielding conduit to a reusable fitting having an external tapered pipe thread.
3. Use Glenair 600-176 jam nut wrench.
4. Material / Finish:
90° Elbow, nuts, 90° elbow, sleeve and ring - 316L SST/
Electroless nickel, matte finish.
O-Ring and gland - Silicone rubber/NA
Sealing washer - See individual drawing.
5. Metric dimensions (mm) are indicated in parentheses.

MIL-PRF-24758-47
90° Elbow • Conduit to Tapered Pipe Thread



MIL-PRF
24758A

A

TABLE I: CONDUIT SIZE CODE

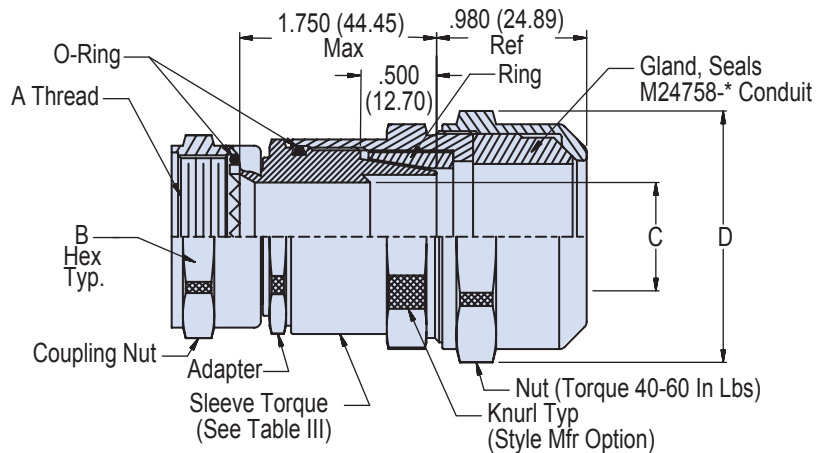
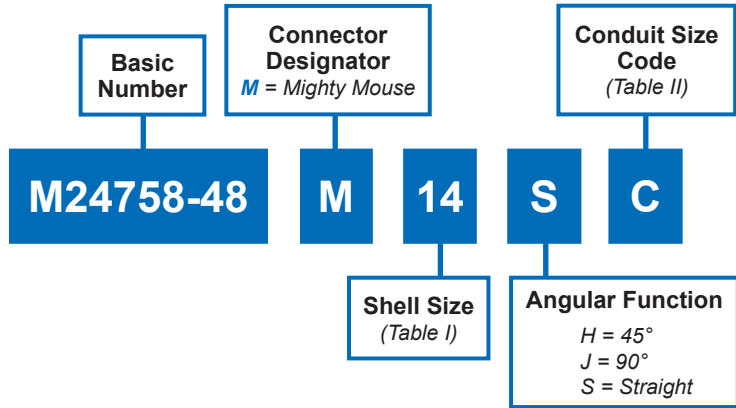
CONDUIT SIZE CODE	C MIN DIA	D MAX DIA
A	.245 (6.22)	1.18 (29.97)
B	.495 (12.57)	1.45 (36.83)
C	.745 (18.92)	1.79 (45.47)
D	.995 (24.88)	2.06 (52.32)
E	1.245 (31.62)	2.32 (58.93)
F	1.495 (37.97)	2.59 (65.79)
G	1.995 (50.67)	3.26 (82.80)
H	2.495 (63.37)	3.80 (96.52)
J	.370 (9.40)	1.32 (33.53)
K	.620 (15.75)	1.66 (42.16)
L	2.995 (76.07)	4.34 (110.24)

TABLE II: DASH NUMBER

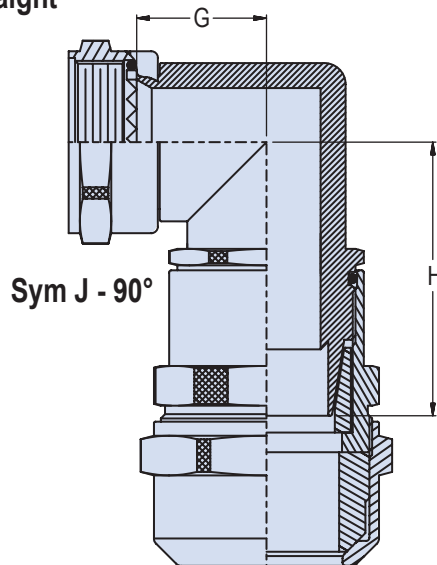
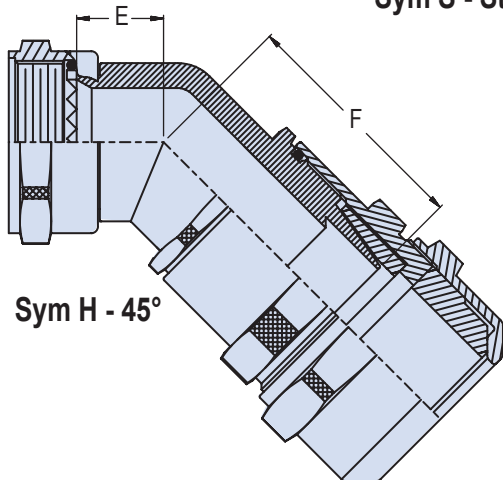
DASH NUMBER	A EXTERNAL TAPER PIPE THREAD	B MAX DIA
01	.250-18 NPT	1.000 (25.40)
02	.375-18 NPT	1.130 (28.70)
03	.500-14 NPT	1.250 (31.75)
04	.750-14 NPT	1.500 (38.10)
05	1.000-11.5 NPT	1.750 (44.45)
06	1.250-11.5 NPT	2.130 (54.10)
07	1.500-11.5 NPT	2.380 (60.45)
08	2.000-11.5 NPT	2.880 (73.15)
09	2.500-8 NPT	3.380 (85.85)
10	3.000-8 NPT	4.130 (104.90)

MIL-PRF-24758-48
Mighty Mouse Connector Adapter
 User Installable for Glenair MIL-PRF-25758 Conduit

A



Sym S - Straight



MIL-PRF-24758-48
Mighty Mouse Connector Adapter
 User Installable for Glenair MIL-PRF-25758 Conduit



MIL-PRF
24758A

A

TABLE I: Order No., Shell Size, Thread, Dimensions and Max Conduit Size Code

Order No.	Shell Size Ref		A Thread Class - 2B	B Hex	E Hex	F Max	G Max	H Max	Max Conduit Size Code See Note 3
	800 / 801 803 / 804	805							
05	05	N/A	1/4-32 UNEF	.437 (11.09)	.640 (16.26)	1.770 (44.96)	1.030 (26.16)	1.840 (46.74)	A
06	06	N/A	5/16-32 UNEF	.500 (12.70)	.640 (16.26)	1.800 (45.72)	1.030 (26.16)	1.880 (47.75)	A
11	N/A	08	3/8-32 UNEF	.562 (14.27)	.660 (16.76)	1.800 (45.72)	1.100 (27.94)	1.900 (48.26)	J
07	07	09	7/16-28 UNEF	.625 (15.88)	.660 (16.76)	1.850 (46.99)	1.100 (27.94)	1.950 (41.91)	J
08	08	10	1/2-28 UNEF	.687 (17.45)	.690 (17.53)	1.860 (47.24)	1.200 (30.48)	1.980 (50.29)	B
09	09	11	9/16-24 UNEF	.750 (19.05)	.690 (17.53)	1.890 (48.01)	1.200 (30.48)	2.020 (51.31)	B
10	10	12	5/8-24 UNEF	.812 (20.62)	.710 (18.03)	1.900 (48.26)	1.270 (32.26)	2.050 (52.07)	K
12	11/12 /13	N/A	11/16-24 UNEF	.875 (22.23)	.740 (18.80)	1.920 (48.77)	1.340 (34.04)	2.100 (53.34)	C
13	N/A	15	3/4-20 UNEF	1.000 (25.40)	.740 (18.80)	1.880 (47.75)	1.340 (34.04)	2.120 (53.85)	C
14	14/15 16/17	18/19	15/16-20 UNEF	1.125 (28.58)	.790 (20.07)	2.000 (50.80)	1.500 (38.10)	2.240 (56.90)	D
17	21	23	1 3/16-18 UNEF	1.375 (34.93)	.840 (21.34)	2.080 (52.83)	1.640 (41.66)	2.370 (60.20)	E

TABLE II: Conduit Size Code

Conduit Size Code	C I.D.	D Max
A	.250 (6.35)	1.18 (29.97)
J	.375 (9.53)	1.32 (33.53)
B	.500 (12.70)	1.45 (36.83)
K	.625 (15.88)	1.66 (42.16)
C	.750 (19.05)	1.79 (45.47)
D	1.000 (25.40)	2.06 (52.32)
E	1.250 (31.75)	2.32 (58.93)
F	1.500 (38.10)	2.59 (65.79)
G	2.000 (50.80)	3.26 (82.80)
H	2.500 (63.50)	3.80 (96.52)
L	3.000 (76.20)	4.34 (110.24)

TABLE III: Recommended Sleeve Torque

Conduit Size Code	± 5 Inch Pounds
A	120
J	140
B	150
K	170
C	170
D	170
E	170
F	170
G	120
H	140
L	170

APPLICATION NOTES

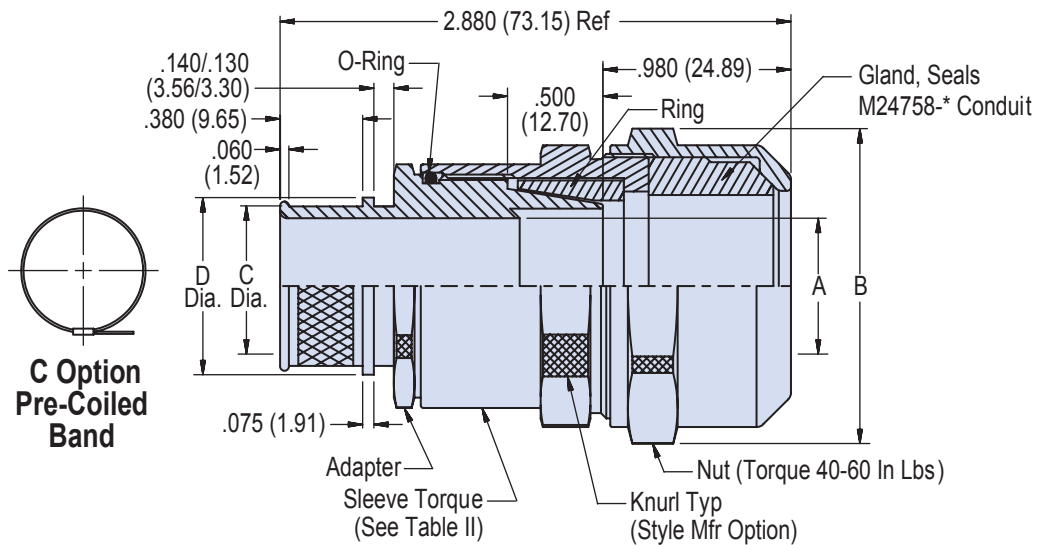
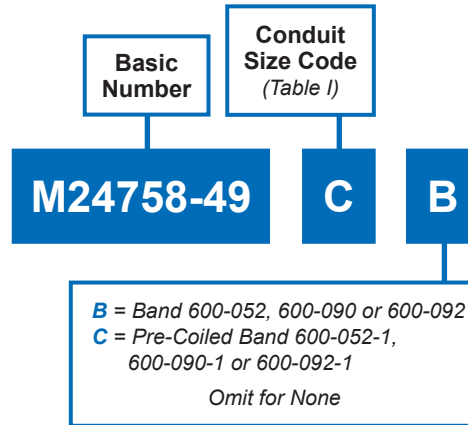
1. Assembly identified with manufacturer's name and part number, space permitting.
2. Glenair 600 Series Backshell Assembly Tools are recommended for assembly and installation.
3. When maximum Conduit Size Code is exceeded, dimensions E, F, G and H may be exceeded. Consult factory for dimensions.
4. Material / Finish:
Coupling nuts, adapters, nuts, sleeves, elbows and rings - 316L SST/ Electroless nickel, matte finish.
O-Ring and gland - Silicone rubber/NA
5. Metric dimensions (mm) are indicated in parentheses.

MIL-PRF-24758-49

User Installable Backshell

with Band Termination Porch to MIL-PRF-24758 Conduit

A



APPLICATION NOTES

1. Assembly identified with manufacturer's name, code I.D. number, part number and classification code 490, space permitting.
2. Glenair 600 Series Backshell Assembly Tools are recommended for assembly and installation.
3. Material / Finish:
Coupling nuts, adapters, nuts, sleeves, elbows and rings - 316L SST/
Electroless nickel, matte finish.
O-Ring and gland - Silicone rubber/NA
4. Metric dimensions (mm) are indicated in parentheses.

MIL-PRF-24758-49
User Installable Backshell
 with Band Termination Porch to MIL-PRF-24758 Conduit



MIL-PRF
24758A

A

TABLE I: CONDUIT SIZE CODE & DIMENSIONS

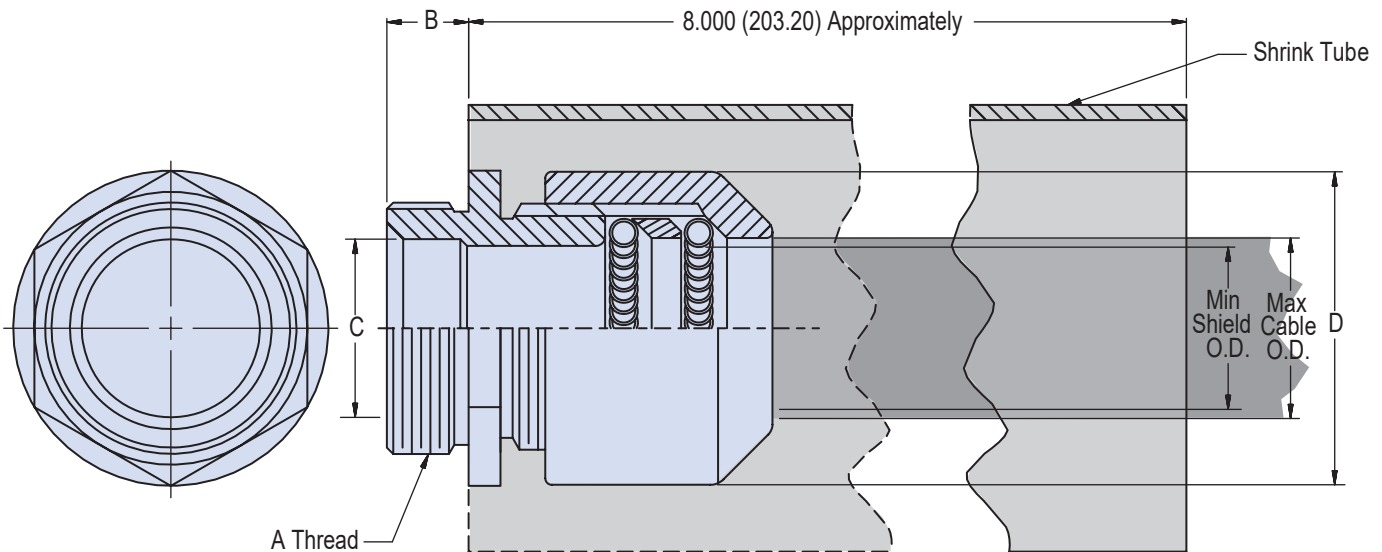
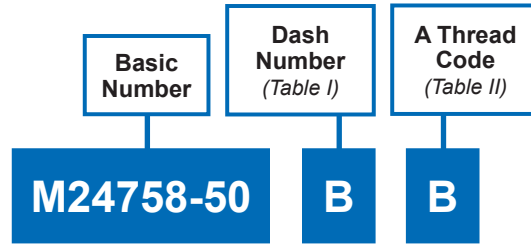
Conduit Size Code	A I.D.	B MAX	C DIA	D DIA
A	.250 (6.35)	1.140 (28.96)	.375 (9.53)	.531 (13.49)
J	.375 (9.53)	1.340 (34.04)	.625 (15.88)	.750 (19.05)
B	.500 (12.70)	1.460 (37.08)	.875 (22.23)	1.000 (25.40)
K	.625 (15.88)	1.650 (41.91)	1.125 (28.58)	1.250 (31.75)
C	.750 (19.05)	1.780 (45.21)	1.375 (34.93)	1.500 (38.10)
D	1.000 (25.40)	2.030 (51.56)	1.625 (41.28)	1.750 (44.45)
E	1.250 (31.75)	2.280 (57.91)	2.125 (53.98)	2.250 (57.15)
F	1.500 (38.10)	2.530 (64.26)	2.625 (66.68)	2.750 (69.85)
G	2.000 (50.80)	3.140 (79.76)	.500 (12.70)	.625 (15.88)
H	2.500 (63.50)	3.650 (92.71)	.750 (19.05)	.875 (22.23)
L	3.000 (76.20)	4.150 (105.41)	3.125 (79.38)	3.250 (82.55)

**TABLE II:
Recommended
Sleeve Torque**

Conduit Size Code	± 5 Inch Pounds
A	120
J	140
B	150
K	170
C	170
D	170
E	170
F	170
G	120
H	140
L	170

MIL-PRF-24758-50 Cable Shield Grounding Adapter

A



APPLICATION NOTES

1. Assembly identified with manufacturer's name, code I.D. number, part number and classification code 490, space permitting.
2. Glenair 600 Series Backshell Assembly Tools are recommended for assembly and installation.
3. Material / Finish:
Adapter - 316L SST/Electroless nickel, matte finish.
Ferrule, grounding spring - CRES/Passivate.
Tubing - Heat shrinkable, flame retardant with adhesive.
4. Metric dimensions (mm) are indicated in parentheses.

MIL-PRF-24758-50 Cable Shield Grounding Adapter



MIL-PRF
24758A

A

TABLE I: DASH NUMBER AND DIMENSIONS

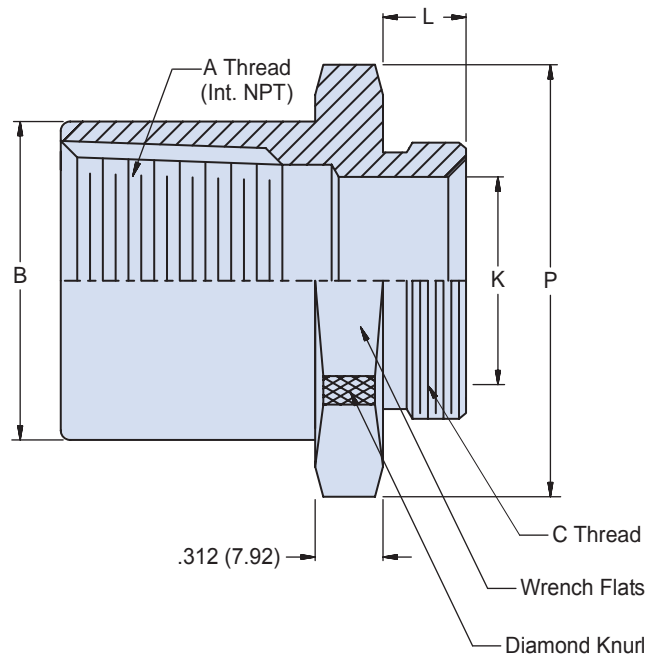
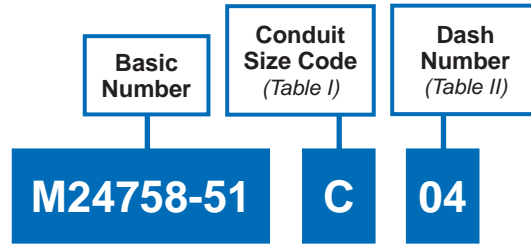
DASH NO.	MAX CABLE O.D.	MIN SHIELD O.D.	D MAX	SHRINK TUBE NO.
A(SM)	.250 (6.35)	.125 (3.18)	1.120 (28.45)	HRSR 125
A	.406 (10.31)	.200 (5.08)	1.120 (28.45)	
B	.515 (13.08)	.260 (6.60)	1.120 (28.45)	
C	.640 (16.26)	.400 (10.16)	1.320 (33.53)	HRSR 175
D	.750 (19.05)	.400 (10.16)	1.630 (41.40)	
E	.812 (20.62)	.430 (10.92)	1.630 (41.40)	
F	.843 (21.41)	.470 (11.94)	1.750 (44.45)	HRSR 200
G	.953 (24.21)	.580 (14.73)	1.880 (47.75)	
J	1.062 (26.55)	.690 (17.53)	1.880 (47.75)	
K	1.172 (29.77)	.800 (20.32)	2.060 (52.32)	HRSR 250
L	1.265 (32.13)	.890 (22.61)	2.180 (55.37)	
M	1.406 (35.71)	1.010 (25.65)	2.320 (58.93)	
N	1.515 (38.48)	1.130 (28.70)	2.380 (60.45)	
P	1.625 (41.28)	1.200 (30.48)	2.440 (61.98)	
R	1.750 (44.45)	1.250 (31.75)	2.750 (69.85)	HRSR 300
S	1.875 (47.63)	1.380 (35.05)	2.880 (73.15)	
T	2.062 (52.37)	1.560 (39.62)	3.130 (79.50)	HRSR 400
V	2.187 (55.55)	1.690 (42.93)	3.250 (82.55)	

TABLE II: THREAD CODE & DIMENSIONS

A THREAD CODE	A THREAD CLASS - 2A	B +.030 (0.76) - .000	C DIA MIN
A	.438 - 28 UNEF	.210 (5.33)	.245 (6.22)
B	.688 - 24 UNEF	.250 (6.35)	.495 (12.57)
C	.938 - 20 UNEF	.310 (7.87)	.745 (18.92)
D	1.250 - 18 UNEF	.370 (9.40)	.995 (25.27)
E	1.563 - 18 UNEF	.370 (9.40)	1.245 (31.62)
F	1.875 - 16 UN	.430 (10.92)	1.495 (37.97)
G	2.375 - 16 UN	.430 (10.92)	1.995 (50.67)
H	2.875 - 16 UN	.430 (10.92)	1.495 (37.97)
J	.563 - 24 UNEF	.250 (6.35)	.370 (9.40)
K	.813 - 20 UNEF	.310 (7.87)	.620 (15.75)
L	3.375 - 16 UN	.430 (10.92)	2.995 (76.07)

MIL-PRF-24758-51 Adapter for Tapered Pipe Thread

A



APPLICATION NOTES

1. Assembly identified with manufacturer's name, code I.D. number, part number and classification code 490, space permitting.
2. The M24758-51 adapter couples any fitting having a male tapered pipe thread to M24758-2, M24758-3 or m24758-4 fittings.
3. Material / Finish:
Adapter - 316L SST/Electroless nickel, matte finish.
4. Metric dimensions (mm) are indicated in parentheses.

MIL-PRF-24758-51 Adapter for Tapered Pipe Thread



MIL-PRF
24758A

A

TABLE I: CONDUIT SIZE CODE AND DIMENSIONS

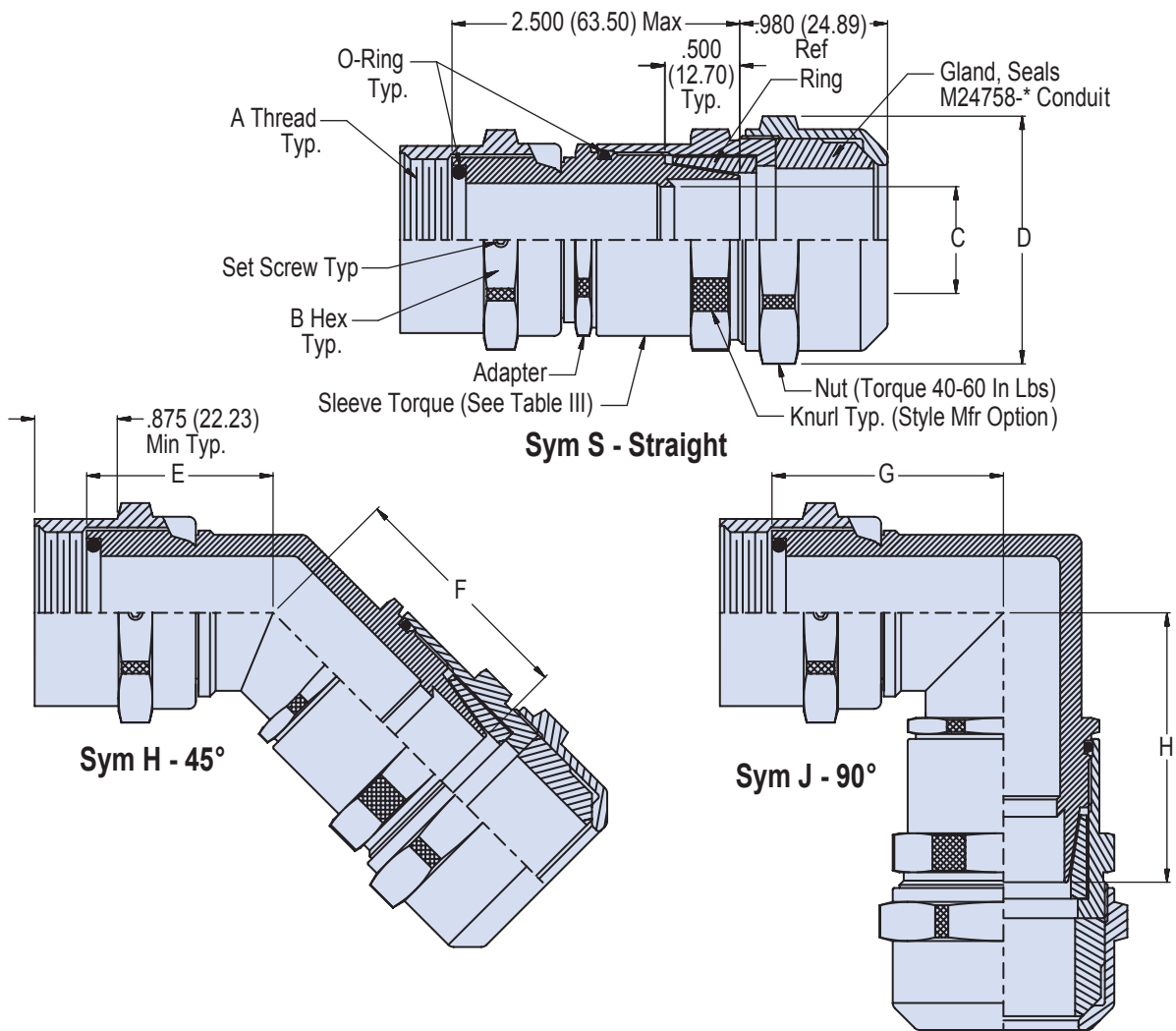
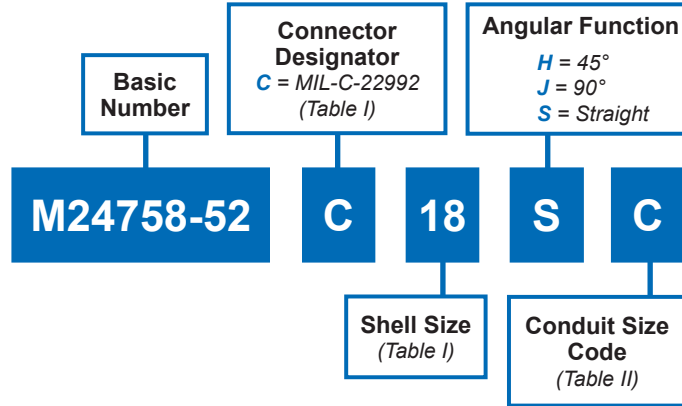
CONDUIT SIZE CODE	C THREAD CLASS 2A	L +.030 (0.76) - .000	K DIA MIN	MAX ENTRY DASH NUMBER
A	.438 - 28 UNEF	.210 (5.33)	.245 (6.22)	01
B	.688 - 24 UNEF	.250 (6.35)	.495 (12.57)	03
C	.938 - 20 UNEF	.310 (7.87)	.745 (18.92)	04
D	1.250 - 18 UNEF	.370 (9.40)	.995 (25.27)	05
E	1.563 - 18 UNEF	.370 (9.40)	1.245 (31.62)	06
F	1.875 - 16 UN	.430 (10.92)	1.495 (37.97)	07
G	2.375 - 16 UN	.430 (10.92)	1.995 (50.67)	08
H	2.875 - 16 UN	.430 (10.92)	1.495 (37.97)	09
J	.563 - 24 UNEF	.250 (6.35)	.370 (9.40)	02
K	.813 - 20 UNEF	.310 (7.87)	.620 (15.75)	03
L	3.375 - 16 UN	.430 (10.92)	2.995 (76.07)	10

TABLE II: DASH NUMBER & DIMENSIONS

DASH NUMBER	A EXTERNAL TAPER PIPE THREAD	B DIA	P DIA MAX
01	.250-18 NPT	.625 (15.88)	.860 (21.84)
02	.375-18 NPT	.812 (20.62)	1.000 (25.40)
03	.500-14 NPT	1.000 (25.40)	1.250 (31.75)
04	.750-14 NPT	1.188 (30.18)	1.370 (34.80)
05	1.000-11.5 NPT	1.500 (38.10)	1.730 (43.94)
06	1.250-11.5 NPT	1.812 (46.02)	2.160 (54.86)
07	1.500-11.5 NPT	2.125 (53.98)	2.450 (62.23)
08	2.000-11.5 NPT	2.500 (63.50)	3.030 (76.96)
09	2.500-8 NPT	3.125 (79.38)	3.610 (91.69)
10	3.000-8 NPT	3.750 (95.25)	4.330 (109.98)

MIL-PRF-24758-52
Adapter for MIL-C-22992 Connectors
 User Installable for Glenair MIL-PRF-25758 Conduit

A



MIL-PRF-24758-52
Adapter for MIL-C-22992 Connectors
User Installable for Glenair MIL-PRF-25758 Conduit



MIL-PRF
24758A

A

TABLE I: SHELL SIZE, CONDUIT SIZE CODE AND FITTING DIMENSIONS

SHELL SIZE	A THREAD CLASS - 2B LEFT HAND	B HEX	E MAX	F MAX	G MAX	H MAX	MAX CONDUIT SIZE CODE (SEE NOTE 3)
12	3/4-20 UNEF	1.125 (28.58)	1.510 (38.35)	1.750 (44.45)	1.840 (46.74)	1.990 (50.55)	K
14	7/8-20 UNEF	1.250 (31.75)	1.550 (39.37)	1.770 (44.96)	1.910 (48.51)	2.060 (52.32)	C
16	1.000-20 UNEF	1.375 (34.93)	1.060 (26.92)	1.820 (46.23)	2.040 (51.82)	2.130 (54.10)	D
18	1 1/8-18 UNEF	1.500 (38.10)	1.600 (40.64)	1.820 (46.23)	2.040 (51.82)	2.210 (56.13)	D
20	1 1/4-18 UNEF	1.562 (14.27)	1.790 (45.47)	1.880 (47.75)	2.240 (56.90)	2.240 (56.90)	E
22	1 3/8-18 UNEF	1.687 (42.85)	1.790 (45.47)	1.880 (47.75)	2.240 (56.90)	2.310 (58.67)	E
24	1 5/8-18 UNEF	2.000 (50.80)	1.880 (47.75)	1.930 (49.02)	2.380 (60.45)	2.500 (63.50)	F
28	1 7/8-16 UN	2.250 (57.15)	1.980 (50.29)	2.030 (51.56)	2.710 (68.83)	2.790 (70.87)	G
32	2 1/16-16 UNS	2.437 (61.90)	1.980 (50.29)	2.030 (51.56)	2.710 (68.83)	2.790 (70.87)	G
36	2 5/16-16 UNS	2.687 (68.25)	1.980 (50.29)	2.030 (51.56)	2.710 (68.83)	3.040 (77.22)	G
40	2 5/8-16 UN	3.000 (76.20)	2.030 (51.56)	2.130 (54.10)	2.980 (75.69)	3.220 (81.79)	H
44	2 7/8-16 UN	3.250 (82.55)	2.140 (54.36)	2.240 (56.90)	3.290 (83.57)	3.370 (85.58)	L

TABLE II: Conduit Size Code

CONDUIT SIZE CODE	C I.D.	D MAX
A	.250 (6.35)	1.18 (29.97)
J	.375 (9.53)	1.32 (33.53)
B	.500 (12.70)	1.45 (36.83)
K	.625 (15.88)	1.66 (42.16)
C	.750 (19.05)	1.79 (45.47)
D	1.000 (25.40)	2.06 (52.32)
E	1.250 (31.75)	2.32 (58.93)
F	1.500 (38.10)	2.59 (65.79)
G	2.000 (50.80)	3.26 (82.80)
H	2.500 (63.50)	3.80 (96.52)
L	3.000 (76.20)	4.34 (110.24)

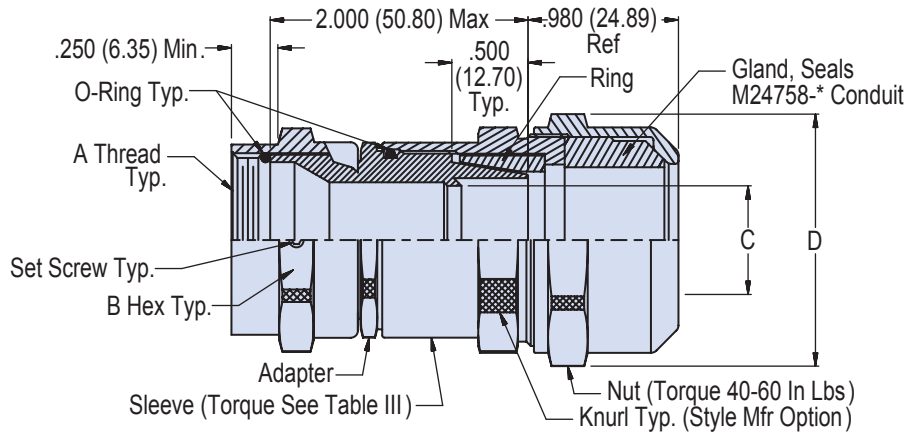
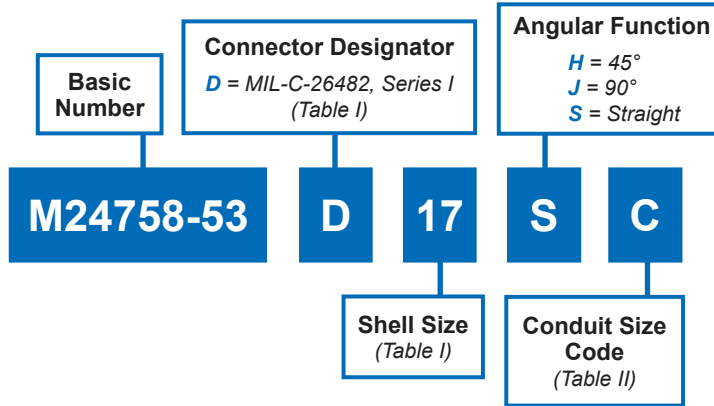
TABLE III: Recommended Sleeve Torque

CONDUIT SIZE CODE	± 5 INCH POUNDS
A	120
B	140
C	150
D	170
E	170
F	170
G	170
H	170
J	120
K	140
L	170

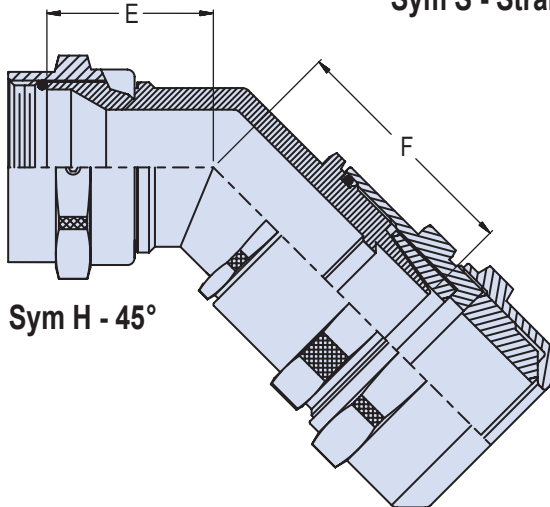
APPLICATION NOTES

1. Assembly identified with manufacturer's name and part number and classification code 490, space permitting.
2. Glenair 600 Series Backshell Assembly Tools are recommended for assembly and installation.
3. When maximum Conduit Size Code is exceeded, dimensions E, F, G and H may be exceeded. Consult factory for dimensions.
4. Material / Finish:
Coupling nuts, adapters, nuts, sleeves, elbows and rings - 316L SST/ Electroless nickel, matte finish.
O-Rings and gland - Silicone rubber/NA
5. Metric dimensions (mm) are indicated in parentheses.

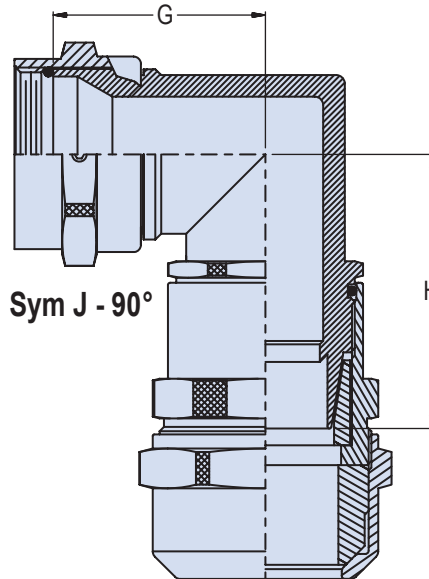
A



Sym S - Straight



Sym H - 45°



Sym J - 90°

MIL-PRF-24758-53
Adapter for MIL-C-26482 Series I Connectors
User Installable for Glenair MIL-PRF-25758 Conduit



MIL-PRF
24758A

A

TABLE I: SHELL SIZE, CONDUIT SIZE CODE AND FITTING DIMENSIONS

SHELL SIZE	A THREAD CLASS - 2B	B HEX	E MAX	F MAX	G MAX	H MAX	MAX CONDUIT SIZE CODE (SEE NOTE 3)
08	7/16-28 UNEF	.625 (15.88)	.990 (25.15)	1.660 (42.16)	1.200 (30.48)	1.970 (50.04)	J
10	9/16-24 UNEF	.750 (19.05)	1.010 (25.65)	1.700 (43.18)	1.270 (32.26)	2.070 (52.58)	B
12	11/16-24 UNEF	.875 (22.23)	1.040 (26.42)	1.730 (43.94)	1.370 (34.80)	2.140 (54.36)	K
14	13/16-20 UNEF	1.000 (25.40)	1.080 (27.43)	1.780 (45.21)	1.440 (36.58)	2.210 (56.13)	C
16	15/16-20 UNEF	1.125 (28.58)	1.130 (28.70)	1.850 (46.99)	1.570 (39.88)	2.380 (60.45)	D
18	1 1/16-18 UNEF	1.187 (30.15)	1.130 (28.70)	1.850 (46.99)	1.570 (39.88)	2.380 (60.45)	D
20	1 3/16-18 UNEF	1.312 (33.32)	1.320 (33.53)	1.910 (48.51)	1.770 (44.96)	2.520 (64.01)	E
22	1 5/16-18 UNEF	1.437 (36.50)	1.320 (33.53)	1.910 (48.51)	1.770 (44.96)	2.520 (64.01)	E
24	1 7/16-18 UNEF	1.562 (39.67)	1.410 (35.81)	2.010 (51.04)	1.910 (48.51)	2.730 (69.34)	F

TABLE II: Conduit Size Code

CONDUIT SIZE CODE	C I.D.	D MAX
A	.250 (6.35)	1.18 (29.97)
J	.375 (9.53)	1.32 (33.53)
B	.500 (12.70)	1.45 (36.83)
K	.625 (15.88)	1.66 (42.16)
C	.750 (19.05)	1.79 (45.47)
D	1.000 (25.40)	2.06 (52.32)
E	1.250 (31.75)	2.32 (58.93)
F	1.500 (38.10)	2.59 (65.79)
G	2.000 (50.80)	3.26 (82.80)
H	2.500 (63.50)	3.80 (96.52)
L	3.000 (76.20)	4.34 (110.24)

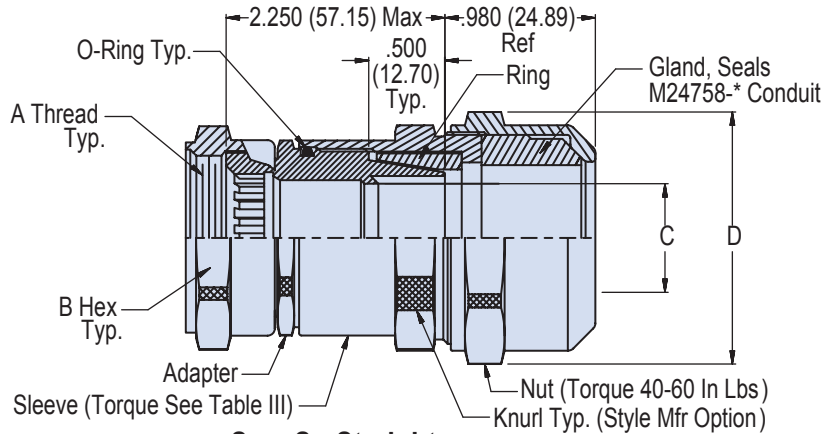
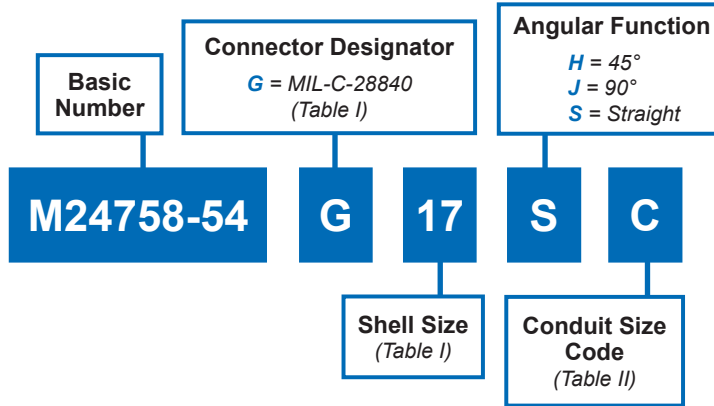
TABLE III: Recommended Sleeve Torque

CONDUIT SIZE CODE	± 5 INCH POUNDS
A	120
B	140
C	150
D	170
E	170
F	170
G	170
H	170
J	120
K	140
L	170

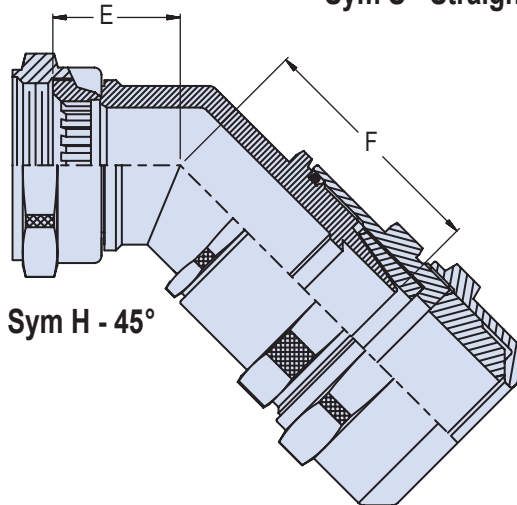
APPLICATION NOTES

1. Assembly identified with manufacturer's name and part number and classification code 490, space permitting.
2. Glenair 600 Series Backshell Assembly Tools are recommended for assembly and installation.
3. When maximum Conduit Size Code is exceeded, dimensions E, F, G and H may be exceeded. Consult factory for dimensions.
4. Material / Finish:
Coupling nuts, adapters, nuts, sleeves, elbows and rings - 316L SST/ Electroless nickel, matte finish.
O-Rings and gland - Silicone rubber/NA
5. Metric dimensions (mm) are indicated in parentheses.

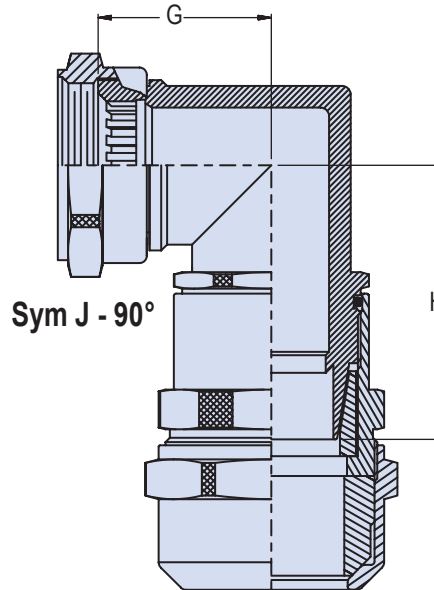
A



Sym S - Straight



Sym H - 45°



Sym J - 90°

MIL-PRF-24758-54
Adapter for MIL-C-28840 Connectors
User Installable for Glenair MIL-PRF-25758 Conduit



MIL-PRF
24758A

A

TABLE I: SHELL SIZE, CONDUIT SIZE CODE AND FITTING DIMENSIONS

SHELL SIZE	A THREAD CLASS - 2B	B HEX	E MAX	F MAX	G MAX	H MAX	MAX CONDUIT SIZE CODE (SEE NOTE 3)
11	3/4-20 UNEF	.937 (23.80)	1.240 (31.50)	1.660 (42.16)	1.380 (35.05)	1.970 (50.04)	B
13	7/8-20 UNEF	1.062 (26.97)	1.260 (32.00)	1.700 (43.18)	1.440 (36.58)	2.070 (52.58)	K
15	1.000-20 UNEF	1.187 (30.15)	1.290 (32.77)	1.730 (43.94)	1.500 (38.10)	2.140 (54.36)	C
17	1 1/8-18 UNEF	1.375 (34.93)	1.310 (33.27)	1.780 (45.21)	1.570 (39.88)	2.210 (56.13)	D
19	1 1/4-18 UNEF	1.500 (38.10)	1.340 (34.04)	1.850 (46.99)	1.630 (41.40)	2.380 (60.45)	D
23	1 7/16-18 UNEF	1.687 (42.85)	1.380 (35.05)	1.850 (46.99)	1.730 (43.94)	2.380 (60.45)	E
25	1 9/16-18 UNEF	1.750 (44.45)	1.410 (35.81)	1.910 (48.51)	1.800 (45.72)	2.520 (64.01)	E
29	1 7/8-16 UN	2.125 (53.98)	1.580 (40.13)	1.910 (48.51)	2.040 (51.82)	2.520 (64.01)	F
33	1 1/16-16 UNS	2.250 (57.15)	1.620 (41.15)	2.010 (51.04)	2.130 (54.10)	2.730 (69.34)	G

TABLE II: Conduit Size Code

CONDUIT SIZE CODE	C I.D.	D MAX
A	.250 (6.35)	1.18 (29.97)
J	.375 (9.53)	1.32 (33.53)
B	.500 (12.70)	1.45 (36.83)
K	.625 (15.88)	1.66 (42.16)
C	.750 (19.05)	1.79 (45.47)
D	1.000 (25.40)	2.06 (52.32)
E	1.250 (31.75)	2.32 (58.93)
F	1.500 (38.10)	2.59 (65.79)
G	2.000 (50.80)	3.26 (82.80)
H	2.500 (63.50)	3.80 (96.52)
L	3.000 (76.20)	4.34 (110.24)

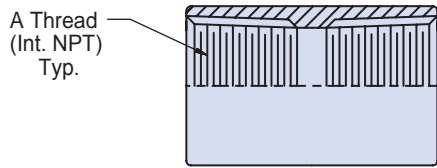
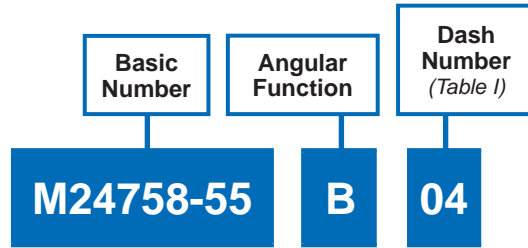
TABLE III: Recommended Sleeve Torque

CONDUIT SIZE CODE	± 5 INCH POUNDS
A	120
B	140
C	150
D	170
E	170
F	170
G	170
H	170
J	120
K	140
L	170

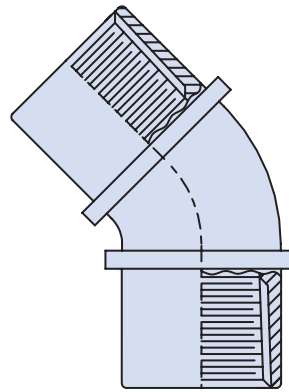
APPLICATION NOTES

1. Assembly identified with manufacturer's name and part number and classification code 490, space permitting.
2. Glenair 600 Series Backshell Assembly Tools are recommended for assembly and installation.
3. When maximum Conduit Size Code is exceeded, dimensions E, F, G and H may be exceeded. Consult factory for dimensions.
4. Material / Finish:
Coupling nuts, adapters, nuts, sleeves, elbows and rings - 316L SST/ Electroless nickel, matte finish.
O-Rings and gland - Silicone rubber/NA
5. Metric dimensions (mm) are indicated in parentheses.

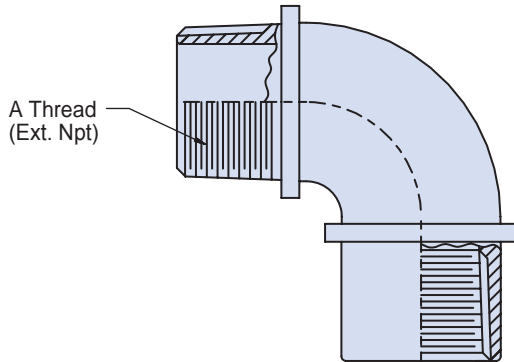
A



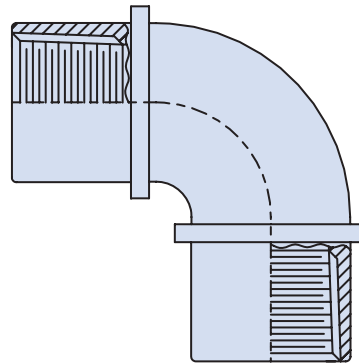
Sym S - Straight



Sym B - 45°



Sym Z - 90°



Sym A - 90°

MIL-PRF-24758-55
Straight, 90° or 45° Adapter
for Tapered Pipe Thread



MIL-PRF
24758A

A

TABLE I: DASH NO.

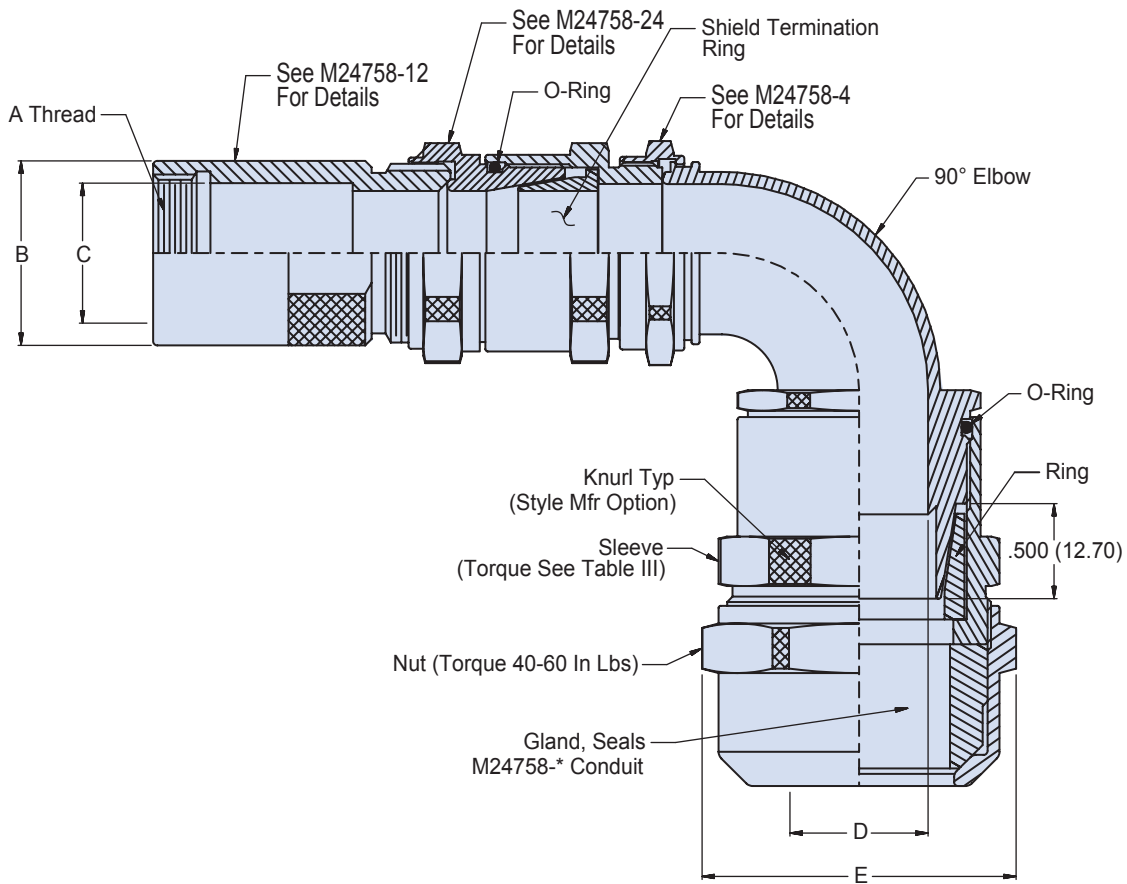
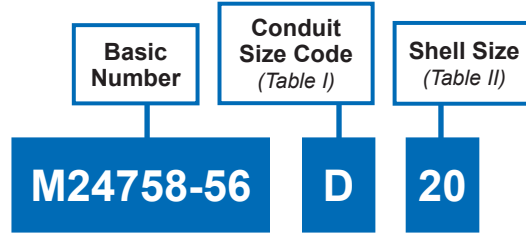
DASH NUMBER	A EXTERNAL TAPER PIPE THREAD
01	.250-18 NPT
02	.375-18 NPT
03	.500-14 NPT
04	.750-14 NPT
05	1.000-11.5 NPT
06	1.250-11.5 NPT
07	1.500-11.5 NPT
08	2.000-11.5 NPT
09	2.500-8 NPT
10	3.000-8 NPT

APPLICATION NOTES

1. Assembly identified with manufacturer's code identification number (Glenair, part number and classification code 490).
2. Material / Finish:
Adapter - 316L SST/Electroless nickel, matte finish.
3. Metric dimensions (mm) are indicated in parentheses.

MIL-PRF-24758-56
90° Adapter for MIL-C-26482 Series I Connectors
EMI/RFI to Glenair MIL-PRF-25758-* Conduit

A



MIL-PRF-24758-56
90° Adapter for MIL-C-26482 Series I Connectors
EMI/RFI to Glenair MIL-PRF-25758-* Conduit



MIL-PRF
24758A

A

**TABLE I:
CONNECTOR SIZE CODE**

CONNECTOR SIZE CODE	D DIA MIN	E DIA MIN
A	.245 (6.22)	1.18 (29.97)
B	.495 (12.57)	1.45 (36.83)
C	.745 (18.92)	1.79 (45.47)
D	.995 (25.27)	2.06 (52.32)
E	1.245 (31.62)	2.32 (58.93)
F	1.495 (37.97)	2.59 (65.79)
G	1.995 (50.67)	3.26 (82.80)
H	2.495 (63.37)	3.80 (96.52)
J	.370 (9.40)	1.32 (33.53)
K	.620 (15.75)	1.66 (42.16)
L	2.995 (76.07)	4.34 (110.24)

TABLE II: CONDUIT SHELL SIZE

CONDUIT SHELL SIZE	A THREAD CLASS - 2B	B DIA ± .020 (0.51)	C DIA ± .020 (0.51)
08	3/4-20 UNEF	.590 (14.99)	.340 (8.64)
10	7/8-20 UNEF	.710 (18.03)	.450 (11.43)
12	1.000-20 UNEF	.840 (21.34)	.570 (14.48)
14	1 1/8-18 UNEF	.960 (24.38)	.680 (17.27)
16	1 1/4-18 UNEF	1.090 (27.69)	.810 (20.57)
18	1 3/8-18 UNEF	1.210 (30.73)	.930 (23.62)
20	1 5/8-18 UNEF	1.340 (34.04)	1.060 (26.92)
22	1 7/8-16 UN	1.460 (37.08)	1.180 (29.97)
24	2 1/16-16 UNS	1.590 (40.39)	1.310 (33.27)

**TABLE III:
Recommended Sleeve Torque**

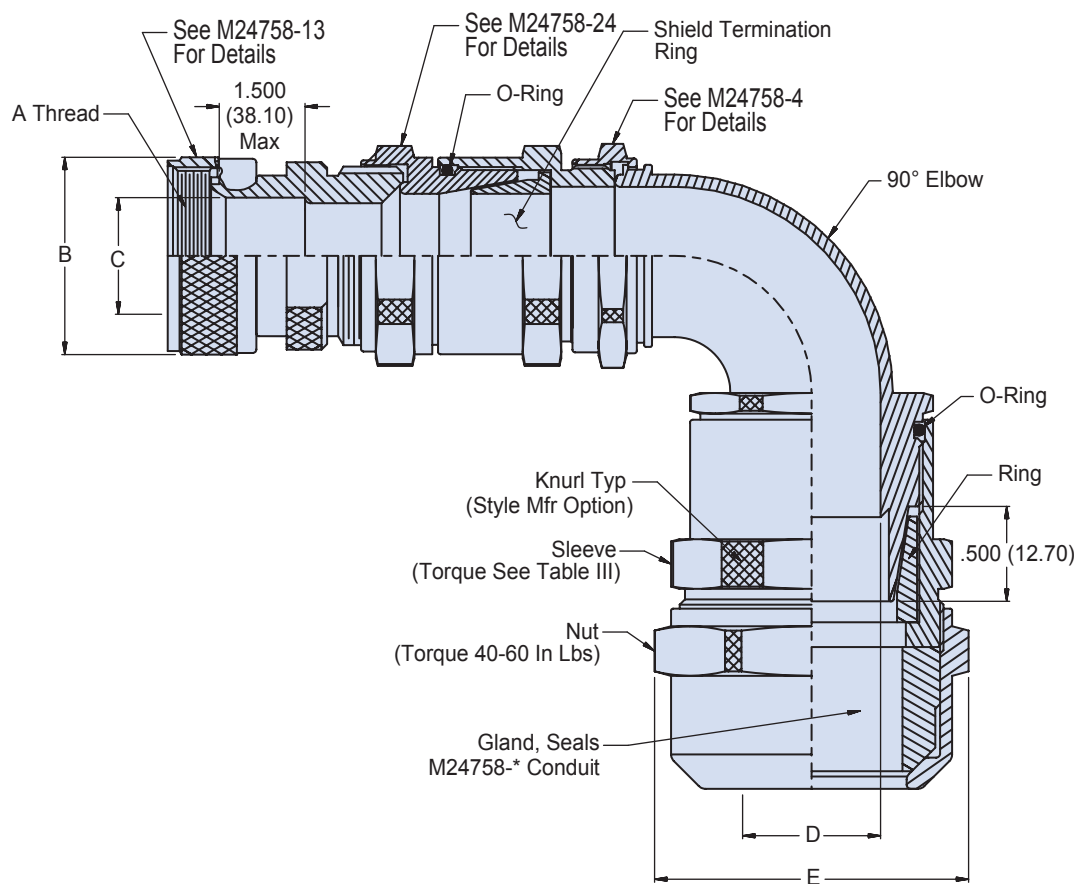
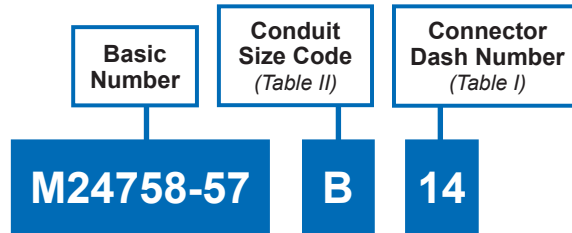
CONDUIT SIZE CODE	± 5 INCH POUNDS
A	120
B	140
C	150
D	170
E	170
F	170
G	170
H	170
J	120
K	140
L	170

APPLICATION NOTES

1. Assembly identified with manufacturer's name and part number and classification code 490, space permitting.
2. The function of the M24758-56 fitting is to terminate M24758-* flexible shielding conduit and to provide individual M24758-24 shield termination on a standard thread for attaching to a M24758-12 fitting.
3. Material / Finish:
Adapters, coupling nut, elbow, nuts, sleeves and rings - 316L SST/
Electroless nickel, matte finish.
O-Rings and gland - Silicone rubber/NA
4. Metric dimensions (mm) are indicated in parentheses.

MIL-PRF-24758-57
90° Adapter for MIL-C-26482 Series I Connectors
 Per Table I, EMI/RFI to M24758-* Conduit

A



MIL-PRF-24758-57
90° Adapter for MIL-C-26482 Series I Connectors
 Per Table I, EMI/RFI to M24758-* Conduit



MIL-PRF
24758A

A

TABLE I: CONNECTOR DASH NUMBER AND FITTING DIMENSIONS

CONNECTOR DASH NUMBER	NAS 1599 AND MIL-DTL-83723 SERIES 1 AND 3	MIL-DTL-5015 MS3400 SERIES	AS81703 NAVY SERIES 3	MIL-C-26482 SERIES 2	A THREAD CLASS 2B	B DIA MAX	C DIA REF
03	—	—	03	—	.562-24 UNEF	.669 (16.99)	.270 (6.86)
08	08	8S	—	08	.500-20 UNEF	.617 (15.67)	.270 (6.86)
10	10	10S, 10SL	—	10	.625-24 UNEF	.734 (18.64)	.375 (9.53)
12	12	12, 12S	07	12	.750-20 UNEF	.858 (21.79)	.511 (12.98)
14	14	14, 14S	12	14	.875-20 UNEF	.984 (24.99)	.585 (14.86)
16	16	16, 16S	19	16	1.000-20 UNEF	1.112 (28.24)	.710 (18.03)
18	18	18	27	18	1.062-18 UNEF	1.218 (30.94)	.789 (20.04)
20	20	20	37	20	1.188-18 UNEF	1.345 (34.16)	.914 (23.22)
22	22	22	—	22	1.312-18 UNEF	1.468 (37.29)	1.039 (26.39)
24	24	24	—	24	1.438-18 UNEF	1.593 (40.46)	1.154 (29.31)
28	—	28	—	—	1.750-18 UNS	1.969 (50.01)	1.389 (35.28)
32	—	32	—	—	2.000-18 UNS	2.219 (56.36)	1.635 (41.53)
36	—	36	—	—	2.250-16 UN	2.469 (62.71)	1.850 (46.99)
40	—	40	—	—	2.500-16 UN	2.719 (69.06)	2.065 (52.45)
44	—	44	—	—	2.750-16 UN	2.969 (75.41)	2.320 (58.93)
48	—	48	—	—	3.000-16 UN	3.219 (81.76)	2.570 (65.28)
61	—	—	61	—	1 5/8-18 UNEF	1.653 (41.99)	1.194 (30.33)

TABLE II: CONDUIT SIZE CODE

CONDUIT SIZE CODE	D DIA MIN	E DIA MIN
A	.245 (6.22)	1.18 (29.97)
B	.495 (12.57)	1.45 (36.83)
C	.745 (18.92)	1.79 (45.47)
D	.995 (25.27)	2.06 (52.32)
E	1.245 (31.62)	2.32 (58.93)
F	1.495 (37.97)	2.59 (65.79)
G	1.995 (50.67)	3.26 (82.80)
H	2.495 (63.37)	3.80 (96.52)
J	.370 (9.40)	1.32 (33.53)
K	.620 (15.75)	1.66 (42.16)
L	2.995 (76.07)	4.34 (110.24)

TABLE III: Recommended Sleeve Torque

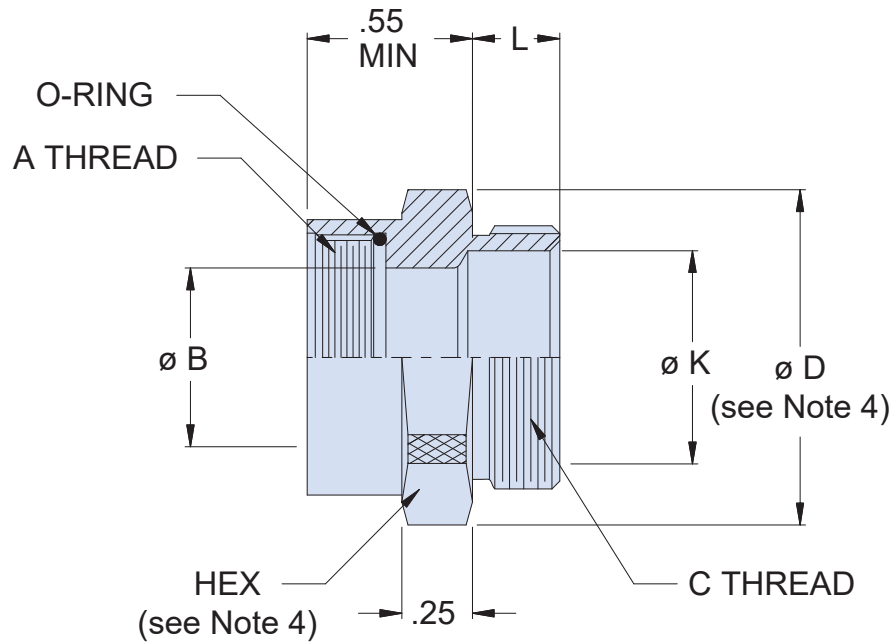
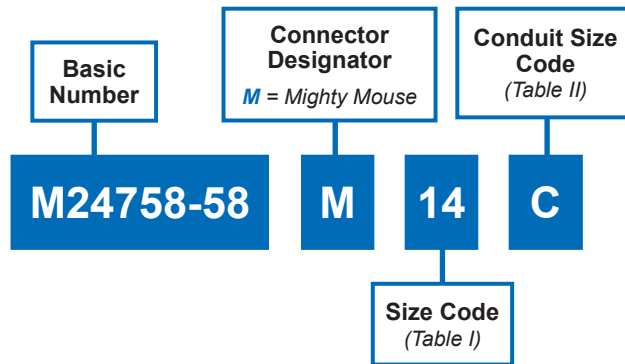
CONDUIT SIZE CODE	± 5 INCH POUNDS
A	120
B	140
C	150
D	170
E	170
F	170
G	170
H	170
J	120
K	140
L	170

APPLICATION NOTES

- Assembly identified with manufacturer's name and part number and classification code 490, space permitting.
- The function of the M24758-57 fitting is to terminate M24758-* flexible shielding conduit and to provide individual M24758-24 shield termination on a standard thread for attaching to a M24758-13 fitting.
- Material / Finish:
Adapters, coupling nut, elbow, nuts, sleeves and rings - 316L SST/ Electroless nickel, matte finish.
O-Rings and gland - Silicone rubber/NA
- Metric dimensions (mm) are indicated in parentheses.

MIL-PRF-24758-58
Adapter for Series 80 Mighty Mouse Connectors
To M24758-2, -3, or -4 Conduit Fittings

A



MIL-PRF-24758-58
Adapter for Series 80 Mighty Mouse Connectors
To M24758-2, -3, or -4 Conduit Fittings



MIL-PRF
24758A

A

TABLE I: Order No., Shell Size, Thread, Dimensions and Max Conduit Size Code

SIZE CODE	SHELL SIZE REF		A THREAD CLASS - 2B	B DIA	HEX SEE NOTE 4	D DIA MAX	MAX CONDUIT SIZE CODE SEE NOTE 3
	800 / 801 803 / 804	805					
05	05	N/A	1/4-32 UNEF	.172 (4.37)	.562 (14.27)	.63 (16.00)	J
06	06	N/A	5/16-32 UNEF	.234 (5.94)	.562 (14.27)	.63 (16.00)	
11	N/A	08	3/8-32 UNEF	.266 (6.76)	.562 (14.27)	.63 (16.00)	B
07	07	09	7/16-28 UNEF	.325 (8.25)	.562 (14.27)	.63 (16.00)	
08	08	10	1/2-28 UNEF	.385 (9.78)	.625 (15.88)	.70 (17.78)	K
09	09	11	9/16-24 UNEF	.445 (11.30)			
10	10	12	5/8-24 UNEF	.512 (13.00)	.750 (19.05)	.83 (21.08)	C
12	11/12 /13	N/A	11/16-24 UNEF	.594 (15.09)	.812 (20.62)	.90 (22.86)	
13	N/A	15	3/4-20 UNEF	.625 (15.88)			
14	14/15 16/17	18/19	15/16-20 UNEF	.812 (20.62)	1.000 (25.40)	1.10 (27.94)	D
16	19	21	1 1/16-18 UNEF	.938 (23.83)	1.188 (30.18)	1.30 (33.02)	E
17	21	23	1 3/16-18 UNEF	1.057 (26.85)	1.375 (34.93)	1.50 (38.10)	

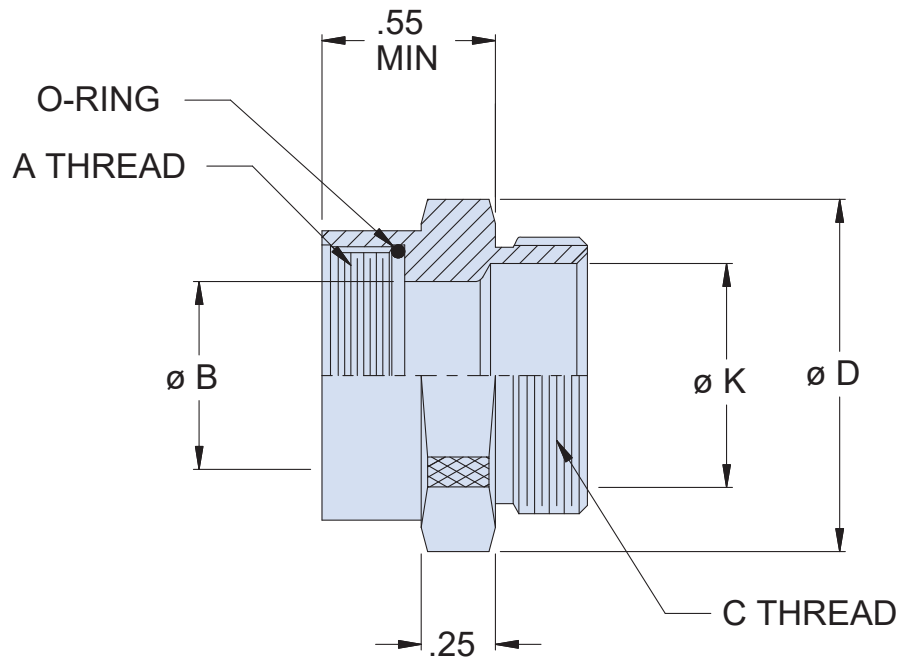
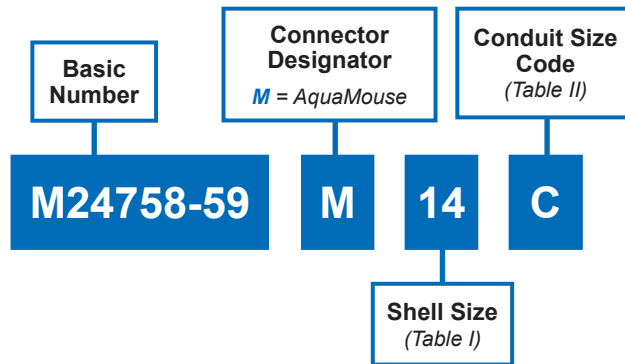
TABLE II: Conduit Size Code

CONDUIT SIZE CODE	C CLASS - 2A THREAD	L +.03 -.00	K DIA MIN.	HEX SEE NOTE 4	D DIA MAX. SEE NOTE 4
A	.438-28 UNEF	.21 (5.33)	.245 (6.22)	.562 (14.27)	.63 (16.00)
J	.563-24 UNEF	.25 (6.35)	.370 (9.40)	.688 (17.48)	.77 (19.56)
B	.688-24 UNEF	.25 (6.35)	.495 (12.57)	.875 (22.23)	.97 (24.64)
K	.813-20 UNEF	.31 (7.87)	.620 (15.75)	.937 (23.80)	1.04 (26.42)
C	.938-20 UNEF	.31 (7.87)	.745 (18.92)	1.125 (28.58)	1.24 (31.50)
D	1.250-18 UNEF	.37 (9.40)	.995 (25.27)	1.375 (34.92)	1.51 (38.35)
E	1.563-18 UNEF	.37 (9.40)	1.245 (31.62)	1.687 (42.85)	1.84 (46.74)

APPLICATION NOTES

1. Assembly identified with manufacturer's name and part number, space permitting.
2. M24758-58 adapts Series 80 Mighty Mouse connectors to M24758-2, M24758-3, or M24758-4 conduit fittings.
3. Consult factory for availability when Max Conduit Size Code is exceeded.
4. The larger Hex and "D" Dia dimensions from Table I or II will be used (e.g. M24758-58M09K has .937" Hex and 1.04" Max Dia) (e.g. M24758-58M09A has .625" Hex and .70" Max Dia)
5. Material / Finish:
Adapter - 316L SST/Electroless Nickel, matte finish
O-Ring - Silicone/N.A.
6. Metric dimensions (mm) are indicated in parentheses.

A



MIL-PRF-24758-59
Adapter for Series 802 AquaMouse Connectors
To M24758-2, -3, or -4 Conduit Fittings



MIL-PRF
24758A

A

TABLE I: Shell Size, Thread, Dimensions and Max Conduit Size Code

SHELL SIZE	A THREAD CLASS - 2B	B DIA REF	D DIA MAX	MAX CONDUIT SIZE CODE SEE NOTE 3
05	1/4-32 UNEF	.172 (4.37)	.87 (22.10)	J
06	5/16-32 UNEF	.234 (5.94)		
07	7/16-28 UNEF	.312 (7.92)	1.02 (25.91)	B
08	1/2-28 UNEF	.375 (9.52)		
09	9/16-24 UNEF	.438 (11.13)	1.16 (29.46)	K
10	5/8-24 UNEF	.500 (12.70)		
12	11/16-24 UNEF	.594 (15.09)	1.31 (33.27)	C
14	7/8-20 UNEF	.750 (19.05)	1.67 (42.42)	D
15	15/16-20 UNEF	.812 (20.62)		
21	1 1/4-18 UNEF	1.062 (26.97)	2.18 (55.37)	F

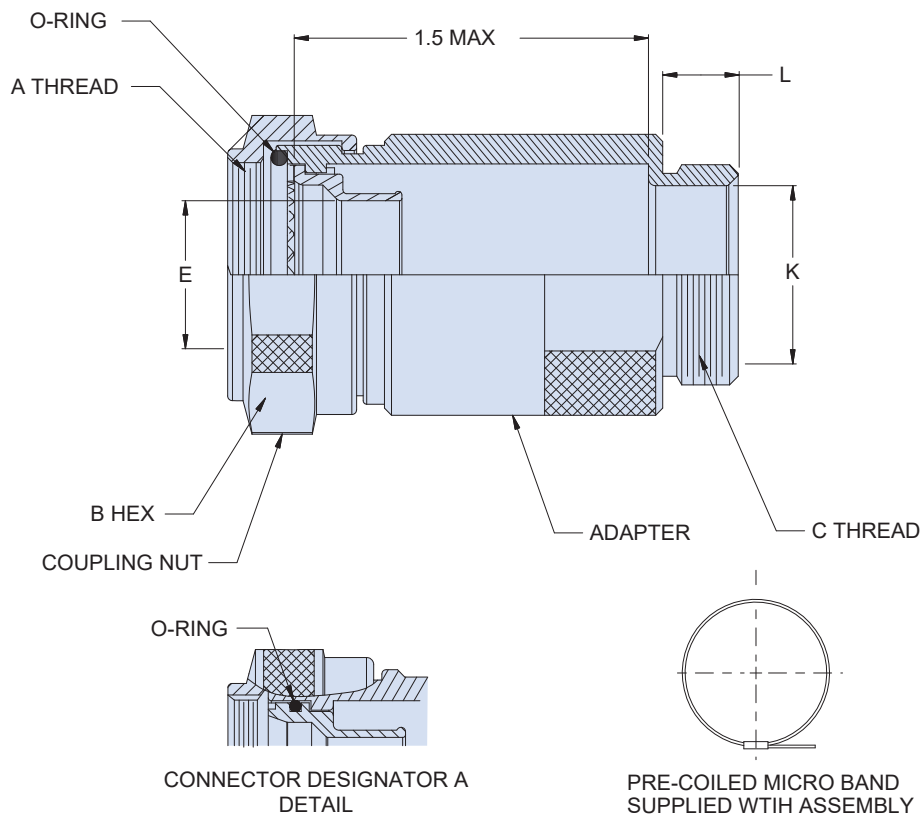
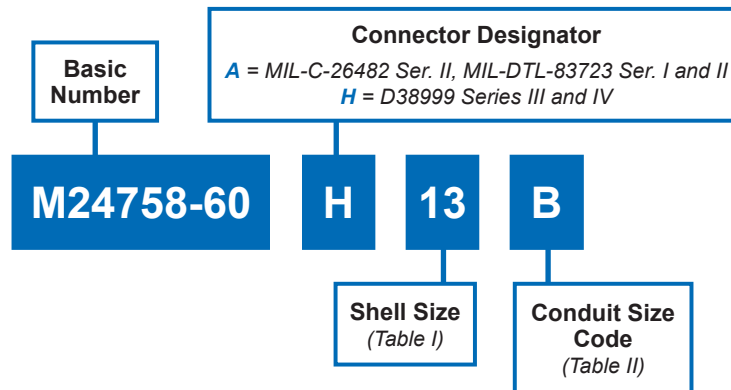
TABLE II: Conduit Size Code

CONDUIT SIZE CODE	C CLASS - 2A THREAD	K DIA MIN
A	.438-28 UNEF	.245 (6.22)
B	.688-24 UNEF	.495 (12.57)
C	.938-20 UNEF	.745 (18.92)
D	1.250-18 UNEF	.995 (25.27)
E	1.563-18 UNEF	1.245 (31.62)
F	1.875-16 UN	1.495 (37.97)
J	.563-24 UNEF	.370 (9.40)
K	.813-20 UNEF	.620 (15.75)

APPLICATION NOTES

1. Assembly identified with manufacturer's code, name and part number, and classification code 490.
2. M24758-59 adapts Series 802 AquaMouse connectors to M24758-2, M24758-3, or M24758-4 conduit fittings.
3. Consult factory for availability when Max Conduit Size Code is exceeded.
4. Material / Finish:
Adapter - 316L SST/Electroless Nickel, matte finish
O-Ring - Silicone/N.A.
5. Metric dimensions (mm) are indicated in parentheses.

A



MIL-PRF-24758-60
Adapter with EMI/RFI Shield Termination Drop-In
for Connector Adapters



MIL-PRF
24758A

A

TABLE I: Shell Size, Thread, and Dimensions

SHELL SIZE	A THREAD (PER CONNECTOR DESIGNATOR)		B HEX		E DIA REF	
	A CODE	H CODE	A CODE	H CODE	A CODE	H CODE
08/09	1/2 - 20 UNF	M12 X 1.0 - 6H	.750 (19.1)	.687 (17.45)	.160 (4.1)	.160 (4.06)
10/11	5/8 - 24 UNEF	M15 X 1.0 - 6H	.875 (22.2)	.812 (20.62)	.270 (6.9)	.270 (6.86)
12/13	3/4 - 20 UNEF	M18 X 1.0 - 6H	1.000 (25.4)	.937 (23.80)	.390 (9.9)	.390 (9.91)
14/15	7/8 - 20 UNEF	M22 X 1.0 - 6H	1.125 (28.6)	1.062 (26.97)	.512 (13.0)	.512 (13.00)
16/17	1 - 20 UNEF	M25 X 1.0 - 6H	1.250 (31.8)	1.250 (31.75)	.610 (15.5)	.627 (15.93)
18/19	1 1/16 - 18 UNEF	M28 X 1.0 - 6H	1.375 (34.9)	1.375 (34.92)	.672 (17.1)	.747 (18.97)
20/21	1 3/16 - 18 UNEF	M31 X 1.0 - 6H	1.500 (38.1)	1.500 (38.10)	.797 (20.2)	.891 (22.63)
22/23	1 5/16 - 18 UNEF	M34 X 1.0 - 6H	1.625 (41.3)	1.625 (41.28)	.922 (23.4)	.996 (25.30)
24/25	1 7/16 - 18 UNEF	M37 X 1.0 - 6H	1.750 (44.5)	1.750 (44.45)	1.047 (26.6)	1.121 (28.47)
28	1 3/4 - 18 UNS		2.000 (50.8)		1.384 (35.2)	
32	2 - 18 UNS		2.250 (57.2)		1.630 (41.4)	
36	2 1/4 - 16 UN		2.438 (61.9)		1.845 (46.9)	

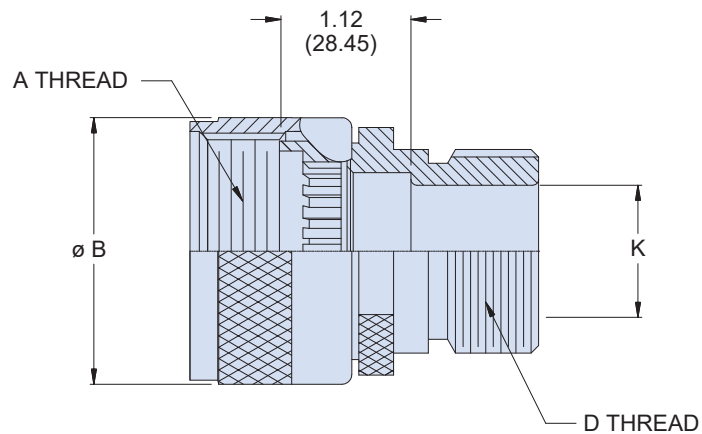
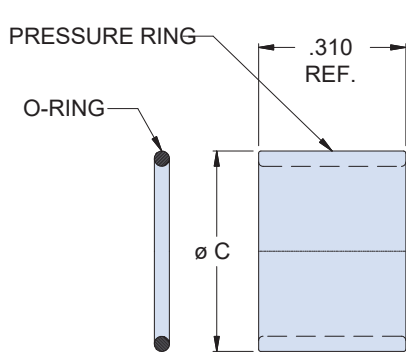
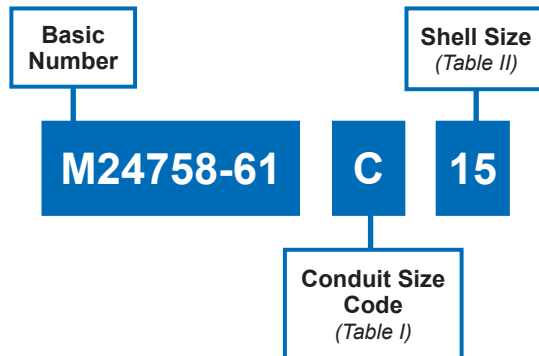
TABLE II: Conduit Size Code

CONDUIT SIZE CODE	C CLASS - 2A THREAD	L +.03 -.00	K DIA MIN
A	.438-28 UNEF	.21 (5.3)	.245 (6.22)
B	.688-24 UNEF	.25 (6.4)	.495 (12.57)
C	.938-20 UNEF	.31 (7.9)	.745 (18.92)
D	1.250-18 UNEF	.37 (9.4)	.995 (25.27)
E	1.563-18 UNEF	.37 (9.4)	1.245 (31.62)
F	1.875-16 UN	.43 (10.9)	1.495 (37.97)
G	2.375-16 UN	.43 (10.9)	1.995 (50.67)
H	2.875-16 UN	.43 (10.9)	2.495 (63.37)
J	.563-24 UNEF	.25 (6.4)	.370 (9.40)
K	.813-20 UNEF	.31 (7.9)	.620 (15.75)
L	3.375-16 UN	.43 (10.9)	2.995 (76.07)

APPLICATION NOTES

1. Assembly identified with manufacturer's name and part number, space permitting.
2. See Glenair Circular Connector Accessories catalog for recommended torque values, group 2
3. Assembly supplied with Micro-Band for shield termination onto Drop-In-Follower
4. Material / Finish:
 Adapter, coupling nut, drop-in-follower - 316L SST/
 Electroless Nickel, matte finish
 O-Ring - Silicone/N.A.
 Band - SST/passivated
5. Metric dimensions (mm) are indicated in parentheses.

A



MIL-PRF-24758-61
Environmental Adapter for MIL-C-28876 Connectors
for coupling with M24758-2, -3, or -4 fittings



MIL-PRF
24758A

A

TABLE I: Conduit Size Code

CONDUIT SIZE CODE	D CLASS - 2A THREAD	K DIA MIN
A	.438-28 UNEF	.245 (6.22)
B	.688-24 UNEF	.495 (12.57)
C	.938-20 UNEF	.745 (18.92)
D	1.250-18 UNEF	.995 (25.27)
E	1.563-18 UNEF	1.245 (31.62)
F	1.875-16 UN	1.495 (37.97)
G	2.375-16 UN	1.995 (50.67)
H	2.875-16 UN	2.495 (63.37)
J	.563-24 UNEF	.370 (9.40)
K	.813-20 UNEF	.620 (15.75)
L	3.375-16 UN	2.995 (76.07)

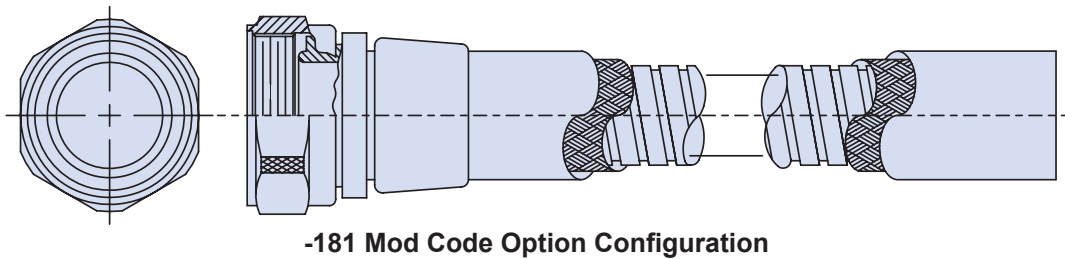
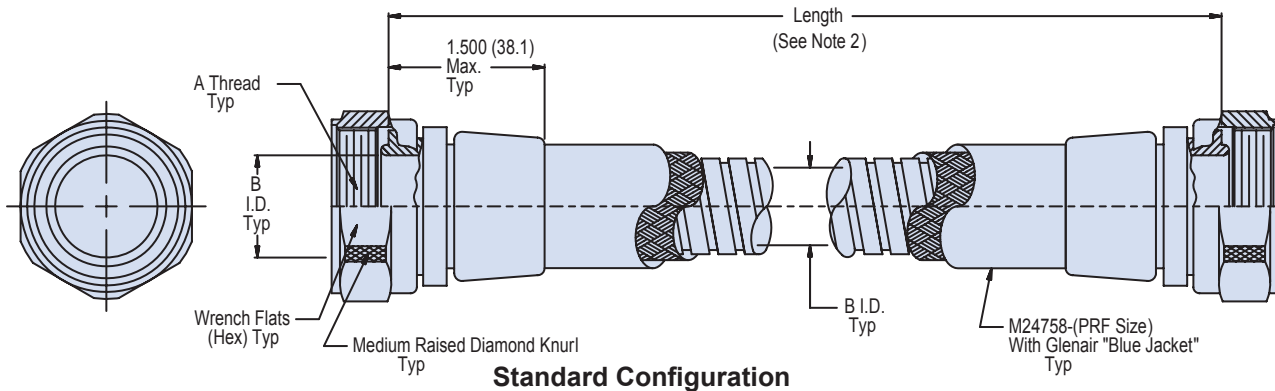
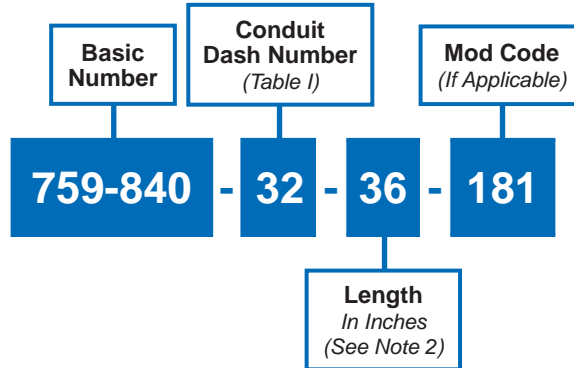
TABLE II: Shell Size, Thread, and Dimensions

SHELL SIZE	A THREAD CLASS - 2B	B DIA MAX	C DIA REF
11	.750-20 UNEF	.960 (24.38)	.410 (10.41)
13	.875-20 UNEF	1.085 (27.56)	.532 (13.51)
15	1.000-20 UNEF	1.255 (31.88)	.710 (18.03)
23	1.438-18 UNEF	1.695 (43.05)	1.116 (28.35)

APPLICATION NOTES

1. Assembly identified with manufacturer's code, name and part number, and classification code 490.
2. The M24758-61 adapter provides environmental coupling between MIL-C-28876 connectors and M24758-2, -3, and -4 fittings
3. See Glenair Circular Connector Accessories catalog for recommended torque values, group 2
4. O-ring and pressure ring to be packaged loose, and must be installed onto connector back end at time of assembly.
5. Material / Finish:
Adapter, coupling nut, pressure ring - 316L SST/Electroless Nickel, matte finish
O-Ring - Fluorosilicone/N.A.
6. Metric dimensions (mm) are indicated in parentheses.

A



APPLICATION NOTES

- | | |
|--|--|
| <ol style="list-style-type: none"> 1. Assembly identified with manufacturer's code identification number. 2. Length tolerance is 0-24" = ±1/4, for longer lengths is ±1% of length. 3. Glenair series 600 backshell assembly tools are recommended for assembly and installation. | <ol style="list-style-type: none"> 4. Material / Finish:
Adapter, ferrule, coupling nut - 316L SST/Electroless nickel, matte finish.
O-Ring - Silicone rubber/NA 5. Metric dimensions (mm) are indicated in parentheses. |
|--|--|

759-840
Conduit Assembly



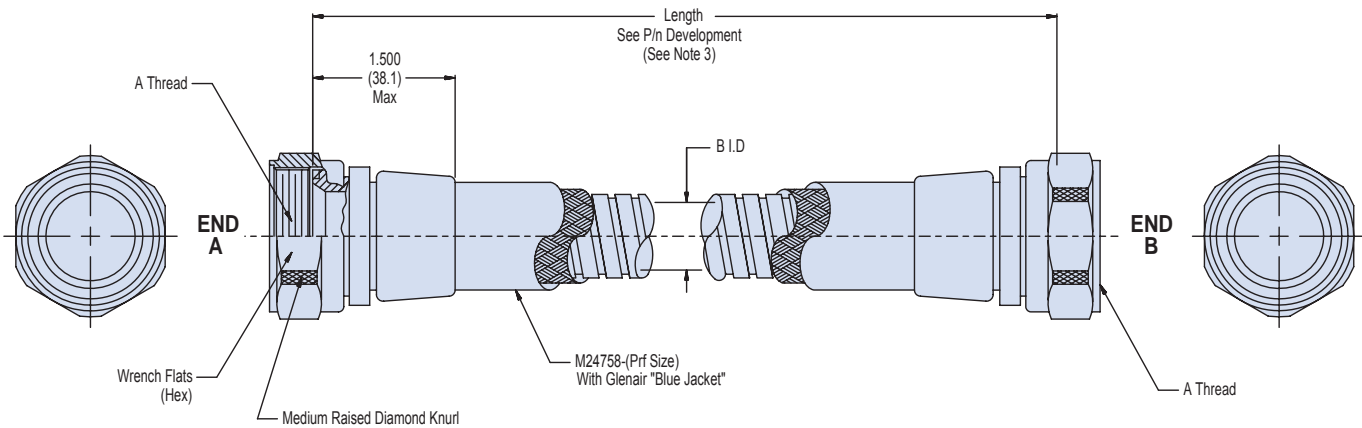
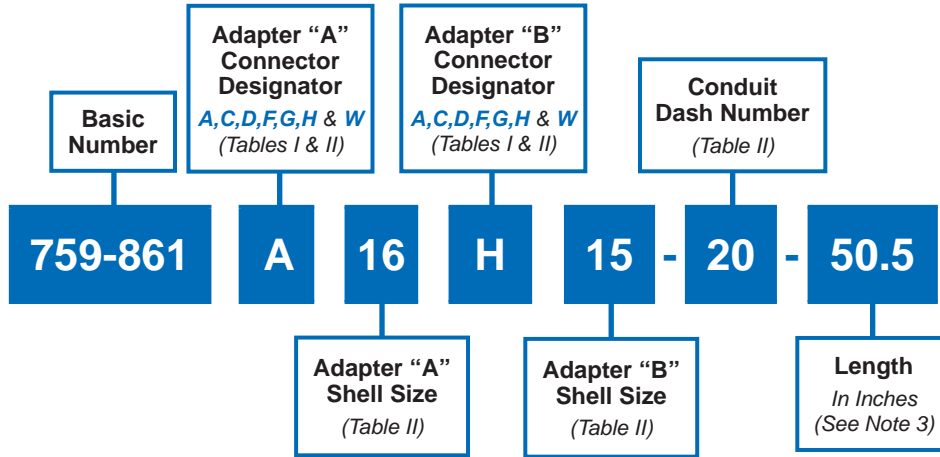
MIL-PRF
24758A

A

TABLE I: CONDUIT SIZE CODE

CONDUIT DASH NO.	MIL PRF SIZE	A THREAD CLASS 2B	B MIN.
08	A	7/16-28 UNEF	.245 (6.2)
12	J	9/16-24 UNEF	.370 (9.4)
16	B	11/16-24 UNEF	.495 (12.6)
20	K	13/16-20 UNEF	.620 (15.7)
24	C	15/16-20 UNEF	.745 (18.9)
32	D	1 1/4-18 UNEF	.995 (25.3)
40	E	1 9/16-18 UNEF	1.245 (31.6)
48	F	1 7/8-16 UN	1.495 (38.0)
64	G	2 3/8-16 UN	1.995 (50.7)
80	H	2 7/8-16 UN	2.495 (63.4)
96	L	3 3/8-16 UN	2.995 (76.1)

A



APPLICATION NOTES

1. Assembly identified with manufacturer's code identification.
2. Glenair 600 series backshell assembly tools are recommended for assembly installation.
3. Length tolerance is 0-24" = $\pm 1/4"$, for longer lengths is $\pm 1\%$ of length.
4. Material / Finish:
Adapter, ferrule & coupling nut - AISI 316L stainless steel / electroless nickel, matte finish.
5. Metric dimensions (mm) are indicated in parentheses.

759-861
Connector to Connector
Factory Terminated Conduit Assembly



MIL-PRF
24758A

A

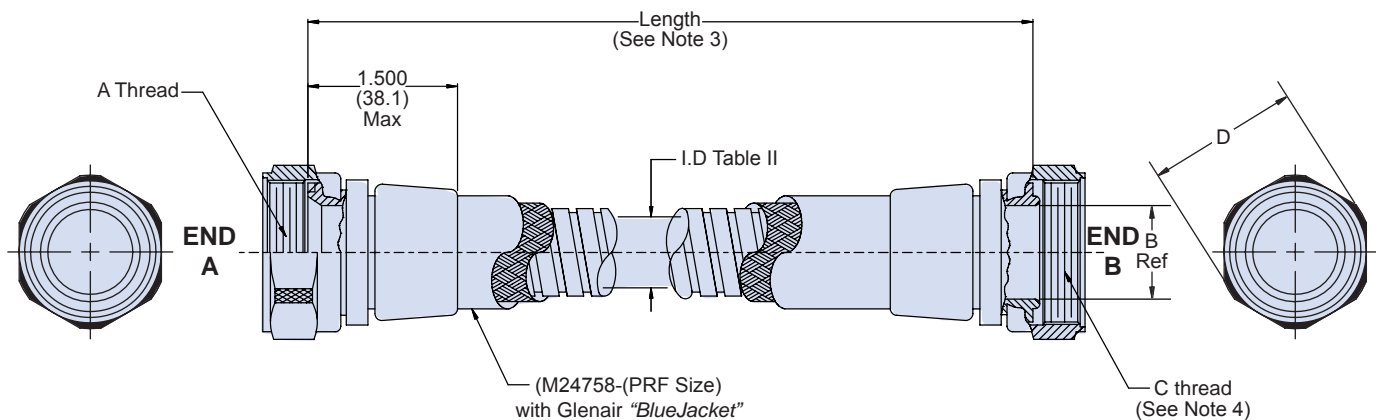
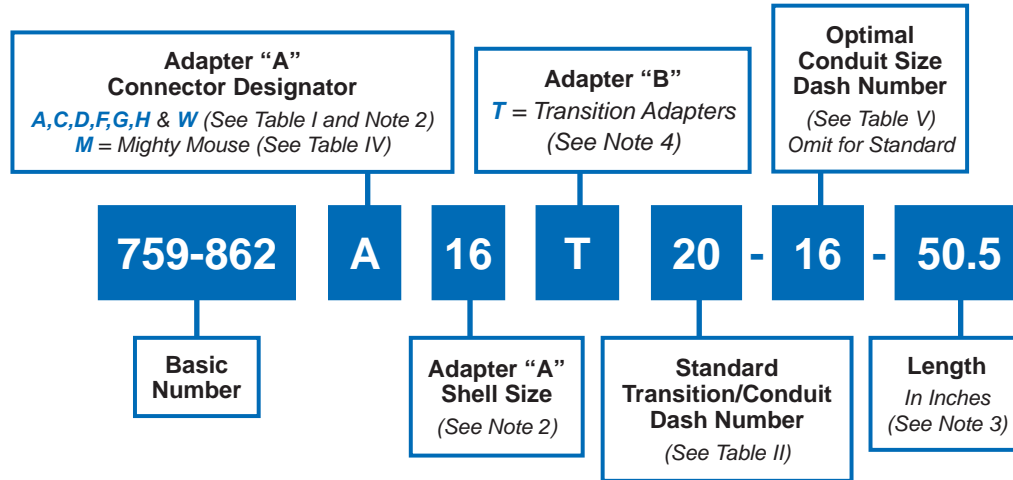
TABLE I: CONNECTOR CODE

CONN. CODE	SPECIFICATION
A	MIL-DTL-5015 (MS34**) MIL-DTL-26482 Series II MIL-DTL-83723 Series I, III
C	MIL-C-22992 Series R
D	MIL-C-26482 Series I
F	MIL-DTL-38999, Series I
G	MIL-C-28840
H	MIL-DTL-38999 Series III, IV
W	Glenair Series 22 (Geo-Marine®)

TABLE II: CONDUIT DASH NO.

CONDUIT DASH NO	MIL PRF SIZE	B MIN.
08	A	.245 (6.22)
12	J	.370 (9.40)
16	B	.495 (12.57)
20	K	.620 (15.75)
24	C	.745 (18.92)
32	D	.995 (25.27)
40	E	1.245 (31.62)
48	F	1.495 (37.97)
64	G	1.995 (50.67)
80	H	2.495 (63.37)
96	L	2.995 (76.07)

A



APPLICATION NOTES

- Assembly identified with manufacturer's code identification.
- See Common Accessory Interface Data on page G-2 and Table IV for Mighty Mouse interface.
- Length tolerance is 0-24" = $\pm 1/4$ ", for longer lengths is $\pm 1\%$ of length. Specify length in inches.
- End "B" adapter (C thread) mates with corresponding MIL-PRF-24758-* adapter (see Table III).
- Glenair 600 series backshell assembly tools are recommended for assembly installation.
- Glenair series 600 backshell assembly tools are recommended for assembly and installation.
- Material / Finish:
Adapter, ferrule & coupling nut - AISI 316L stainless steel / electroless nickel, matte finish.
Conduit - See individual drawing.
- Metric dimensions (mm) are indicated in parentheses.

759-862 Connector to Adapter Factory Terminated Conduit Assembly



MIL-PRF
24758A

A

TABLE I: Connector Code

CONN. CODE	SPECIFICATION
A	MIL-DTL-5015 (MS34**) MIL-DTL-26482 Series II MIL-DTL-83723 Series I, III
C	MIL-C-22992 Series R
D	MIL-C-26482 Series I
F	MIL-DTL-38999, Series I
G	MIL-C-28840
H	MIL-DTL-38999 Series III, IV
W	Glenair Series 22 (Geo-Marine®)

TABLE II: Standard Transition/Conduit Dash No.

DASH NUMBER	MIL PRF SIZE	B MIN	C THREAD CLASS 2B	D MAX
08	A	.245 (6.22)	.438-28 UNEF	.880 (22.4)
12	J	.370 (9.40)	.563-24 UNEF	.940 (23.9)
16	B	.495 (12.57)	.688-24 UNEF	1.130 (28.7)
20	K	.620 (15.75)	.813-20 UNEF	1.190 (30.2)
24	C	.745 (18.92)	.938-20 UNEF	1.380 (35.1)
32	D	.995 (25.27)	1.250-18 UNEF	1.690 (42.9)
40	E	1.245 (31.62)	1.563-18 UNEF	2.000 (50.8)
48	F	1.495 (37.97)	1.875-16 UN	2.310 (58.7)
64	G	1.995 (50.67)	2.375-16 UN	2.940 (74.7)
80	H	2.495 (63.37)	2.875-16 UN	3.440 (87.4)
96	L	2.995 (76.07)	3.375-16 UN	3.940 (100.1)

TABLE III: (Reference Only)

MIL PRF DASH NO.	END "B" MATING ADAPTERS MIL-PRF-24758
9	MS3100 Series MIL-DTL-5015
11	Coaxial Connectors
12	MIL-DTL-26482 Series I (Code D Table I)
13	MS3155 Series (Code A Table I)
14	MIL-DTL-28840 (Code G Table I)
15	MIL-S-24235 Stuffing Tubes
16	Miscellaneous Fittings
17	Tapered Pipe Thread
18	Straight Pipe Thread
19	Bulkhead Termination
20	MIL-DTL-38999 (Codes F & H Table I)
22	Glenair Series 22 Geo-Marine® (Code W Table I)
23	Union Fitting
24	Shielded Cable Fitting

TABLE IV: Order Number, Shell Size Reference and Thread

Order Number	Shell Size Ref		A Thread Class 2B
	800/801 803/804	805	
05	05	N/A	1/4-32 UNEF
06	06	N/A	5/16-32 UNEF
11	N/A	08	3/8-32 UNEF
07	07	09	7/16-28 UNEF
08	08	10	1/2-28 UNEF
09	09	11	9/16-24 UNEF
10	10	12	5/8-24 UNEF
12	11/12/13	N/A	11/16-24 UNEF
13	N/A	15	3/4-20 UNEF
14	14/15/16/17	18/19	15/16-20 UNEF
17	21	23	1 3/16-18 UNEF

TABLE V: Conduit Size, MIL-PRF Size and B Dimension

Conduit Size Dash Number	MIL-PRF Size	B Min
08	A	.245 (6.22)
12	J	.370 (9.40)
16	B	.495 (12.57)
20	K	.620 (15.75)
24	C	.745 (18.92)
32	D	.995 (25.27)
40	E	1.245 (31.62)
48	F	1.495 (37.97)
64	G	1.995 (50.67)
80	H	2.495 (63.37)
96	L	2.995 (76.07)

MIL-DTL-28840

CONNECTOR ACCESSORIES

No Gaps: Every Slash Sheet, Every Size.

Military Connector Specification	 <p>37 Environmental Backshells</p>	 <p>39 EMI/RFI Environmental Backshells</p>	 <p>60 Connector Sockets</p>	 <p>61 "E" Nuts</p>
				Non-Self-Locking
MIL-DTL-28840	M28840/6 B Straight M28840/9 B 45° M28840/8 B 90°	M28840/6 A Straight M28840/9 A 45° M28840/8 A 90°	600G005*	M28840/23
Military Connector Specification	 <p>62 Strain Reliefs</p>	 <p>65 Dummy Storage Receptacles</p>	 <p>66 Protective Plug Covers</p>	 <p>66 Protective Receptacle Covers</p>
	Non-Self-Locking			
MIL-DTL-28840	M28840/1 Straight M28840/3 45° M28840/2 90°	M28840/7	M28840/15	M28840/13
Military Connector Specification	 <p>68 Jam Nuts</p>	 <p>68 Mounting Flanges and Gaskets</p>	 <p>70 - 74 MIL-PRF-24758A Conduit Fittings</p>	
MIL-DTL-28840	MS3186	M28840/24 Gasket	M24758-14 Straight (M24758/14 Straight.)* M28840/5 Straight M28840/25 90° M28840/27 45° M28840/30 Coupling	

Glenair, Inc.
1211 Air Way • Glendale, CA 91201-2497
Tel: 818-247-6000 • Fax: 818-500-9912
E-Mail: sales@glenair.com

Qualified Military Standard Electrical Connectors and Accessories for Shipboard Applications

Ideal for All Rugged Environmental Applications

The standard connector and backshell series for shipboard use, MIL-DTL-28840 offers high-density insert arrangement and high-shock performance. Glenair's qualified product line is fully tooled and highly available.

The MIL-DTL-28840 features RFI/EMI shielding, scoop-proof shells and corrosion resistant materials and finishes. In addition to all the connector types and styles, Glenair makes all the backshell accessory slash numbers as well. The addition of the MIL-DTL-28840 connector product line is part of Glenair's total commitment to meeting all your shipboard interconnect requirements. So, if a rugged, environmental M28840 solution is in your future, think Glenair—from connectors to accessories.

PRODUCT FEATURES

- High Density, Scoop Proof Insert Arrangements
- Flange Mount, Box Mount, Jam-Nut and In-Line Receptacles
- Straight, 45° and 90° Strain Reliefs and Backshell Assemblies
- Sav-Con® Connector Savers
- MIL-DTL-28840 Qualified
- Additional Glenair Commercial Part Numbers with Features Not Available in the Mil-Spec

MIL-DTL-28840 In a Nutshell:

MIL-DTL-28840 connectors were developed for the Navy for use in shipboard applications. They are a high density, environmental, circular connector series utilizing a high shock, threaded coupling system with front release crimped contacts. Note the splined backshell interface and the integrated wire sealing grommet that both add to the environmental and mechanical performance of this ruggedized connector.





MIL-DTL-28840

Shipboard Electrical Connectors

Performance Specifications, Class and Finishes

B

Performance Specifications

Current Rating (Maximum)	Size #20 Contact; 20AWG 7.5A, 22AWG 5.0A, 28AWG 1.5A, 30AWG 1.0A
Test Voltage (Dielectric Withstanding Voltage)	1000 VAC RMS at sea level. Test per EIA-364-20
Insulation Resistance	5000 megohms minimum (at ambient temperature) per EIA-364-21
Contact Resistance	Per SAE-AS39029
Operating Temperature	-55° C. to +200°
Operating Temperature Tin-Zinc Finish	-55° C to +175° C
Fluid Immersion	per test method EIA-364-10
Shock	in accordance with MIL-S-901 grade A
Vibration	per EIA-364-28 test procedure
Magnetic Permeability	2.0 μ (Aluminum), 5.0 μ (Stainless Steel) maximum; ASTM-A342/A342M

Materials and Finishes

Shells, Coupling Nuts, Jam Nuts Material	Aluminum alloy per ASTM B211, or stainless steel per AMS-QQ-S-763
Contacts	Copper alloy, 50 μlnch gold plated per ASTM B488 Type 3, Code C, Class 1,27 over nickel underplate per QQ-N-290 Class 2. Socket contact hood: stainless steel, passivated.
Insulators	High Grade Engineering Plastic per ASTM D5948
Contact Retention Clip	Beryllium copper
Shells, Coupling Nuts, Jam Nuts Plating	Stainless Steel, Black Cadmium plated Aluminum alloy, Cadmium O.D. over Nickel Tin-Zinc over Nickel, non-reflective, Green-Gold color, RoHS-compliant material
Grommet, Seal	Blended elastomer, 30% silicone per ZZ-R-765, 70% fluorosilicone per MIL-R-25988

Contact Code	Type	Contact Spec.	Contact Size	Acceptable Wire Size	Outside Diameter of Finished Wire	
					Minimum	Maximum
F	Pin	SAE-AS39029/83-508	20-20	24	.040 (1.02)	.070 (1.78)
G	Socket	SAE-AS39029/84-509		22		
P	Pin	SAE-AS39029/83-450	20-22	20		
S	Socket	SAE-AS39029/84-452		24		
D	Pin	SAE-AS39029/83-451	20-28	22		
E	Socket	SAE-AS39029/84-453		32		
				30		
				28		

Notes

To achieve sealing, wires must be built up to finished wire diameter.
In accordance with MIL-DTL-24643 and MIL-DTL-16878.

M22520/34-01, M22520/34-02, M22520/35,
M81969/33-01, M81969/33-02, and M81969/34-01
Contact Crimping, Insertion and Removal Tools
for MIL-DTL-28840 Connectors

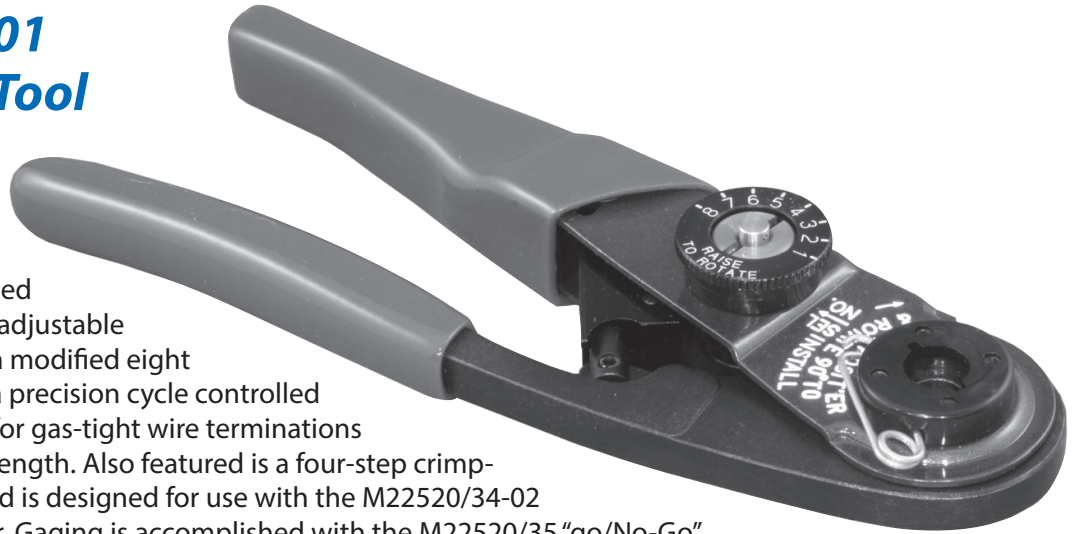


MIL-DTL
28840

B

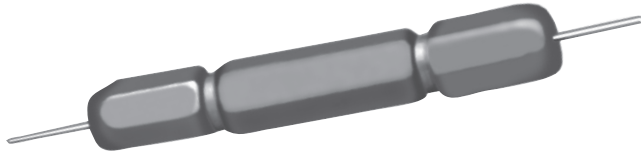
M22520/34-01 Basic Crimp Tool

Qualified to M22520/34-01, this crimp tool prevents improper crimps and overcrimping and is based on the AFM8 miniature adjustable crimp tool. It performs a modified eight impression crimp with a precision cycle controlled ratcheting mechanism for gas-tight wire terminations and excellent tensile strength. Also featured is a four-step crimp-depth selector knob, and is designed for use with the M22520/34-02 bayonet-type Positioner. Gaging is accomplished with the M22520/35 "go/No-Go" Gage. The adjustment wheel has eight settings. Check calibration with the M22520/35 gage. Length is 6.75 inches, weight is approximately 10 oz.



M22520/34-02 Positioner

This bayonet-type positioner locates and holds contacts at the correct position for crimping with the M22520/34-01 Basic Crimp Tool. The face plate shows the correct tool settings.



M22520/35 Gage

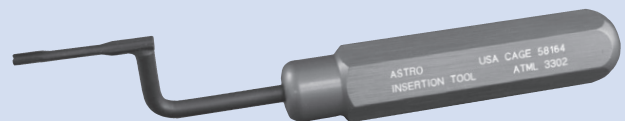
Periodic Gaging is recommended to ensure accurate calibration, and is easily accomplished by setting the tool selector knob to the proper position and checking the indenter closure with the M22520/35 "Go/No-Go" Gage. Color coded anodized aluminum with stainless steel probes.

Insertion and Removal Tools



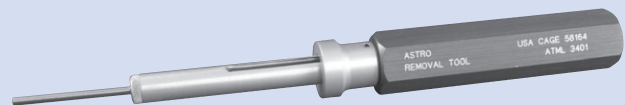
M81969/33-01 Straight Insertion Tool

The M81969/33-01 Straight Insertion Tool is approved for use on MIL-DTL-28840 connectors and features an anodized aluminum handle and stainless steel insertion tip.



M81969/33-02 Offset Insertion Tool

Approved for use on MIL-DTL-28840 connectors, the M81969/33-02 Offset Insertion Tool features an anodized aluminum handle and stainless steel offset insertion tip.



M81969/34-01 Removal Tool

Designed and approved for removal of contacts and in MIL-DTL-28840 connectors, the M81969/34-01 Removal Tool's anodized aluminum handle and stainless steel tip will provide many years of reliable service.

Contact Insertion

1. Tools:

Be sure that all proper assembly tools are on hand and properly calibrated (Figure 1). See previous page for complete descriptions of required tools.

2. Stripping:

Strip wire ends to 3/16" for 20-32 AWG, taking care not to nick or cut wire strands (Figure 2). Hold insulation and twist strands to eliminate any splaying.

3. Wire Insertion:

Insert wire into crimp well of contact. **Do Not Force.** Wire strands must be visible through inspection hole (Figure 3).

4. Crimping:

Using crimp tool and positioner noted above, insert wire and contact into locator jaws. Squeeze tool handle completely until ratchet releases. Remove wired contact from tool (Figure 4).

5. Backshell Preparation:

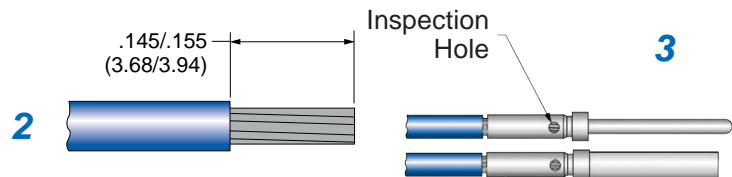
Slide backshell/strain relief over jacketed cable or wires in proper order for re-assembly. Consult Glenair backshell catalog or contact factory for proper jacketed cable assembly (Figure 5).

6. Contact Preparation:

Slide wired contact into insertion tool of choice so that the tip of the tool butts against the shoulder of the contact (Figure 6).



1



2

3



4



5



6

MIL-DTL-28840 Connector Contact Insertion/Extraction Instructions

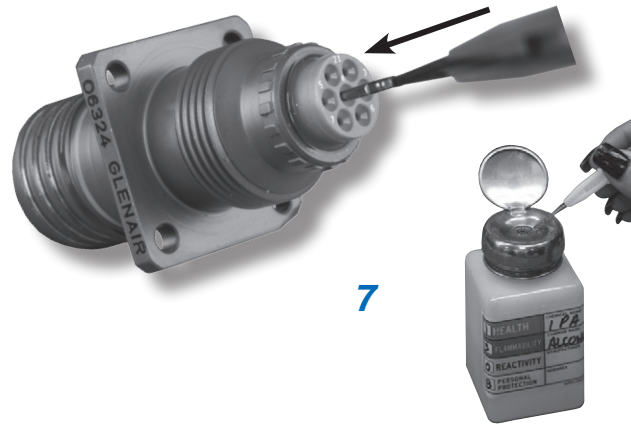


MIL-DTL
28840

B

1. Insertion of Contacts:

Insert wired contacts and tool into contact cavity until contact “clicks” into retention clip (Figure 7). A straight pull on the wire will assure the contact is properly seated. Note: Isopropyl alcohol may be used as a lubricant. Use sparingly.



7

2. Assembly:

After all contacts are inserted, assemble backshell or strain relief according to Glenair backshell catalog instructions.

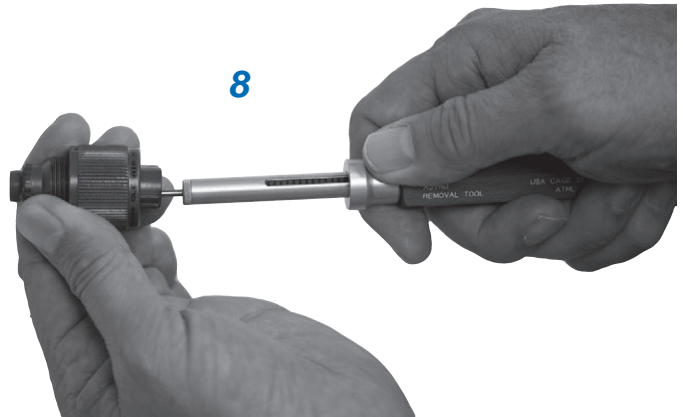
Contact Extraction

1. Contact Extraction:

Remove backshell or strain relief from connector.

2. Contact Extraction:

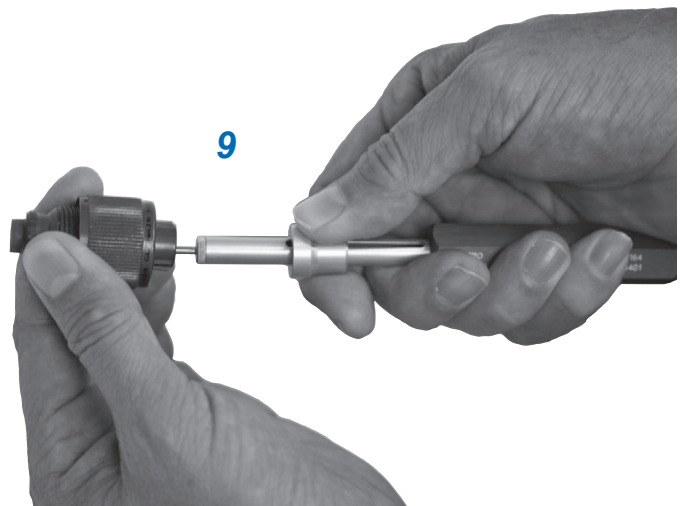
MIL-DTL-28840 connector contacts are extracted from the rear but released from the front of the connector. Using an extraction tool, slide tool tip into front of contact cavity (mating face of connector, figure 8) until tool tip engages against contact retention clip. Push plunger with minimum force to release contact (Figure 9). Note: Isopropyl alcohol may be used as a lubricant. Use sparingly.



8

3. Contact Extraction:

Pull wired contact from rear grommet of connector.



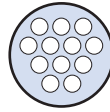
9

Contact Replacement:

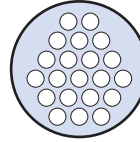
After replacing contact, re-insert starting with assembly instruction number 7.



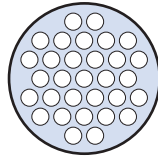
Shell Size 11
7 Contacts



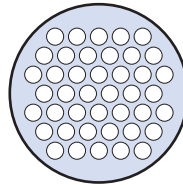
Shell Size 13
12 Contacts



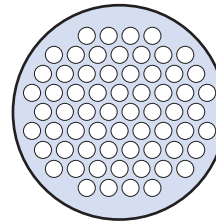
Shell Size 15
21 Contacts



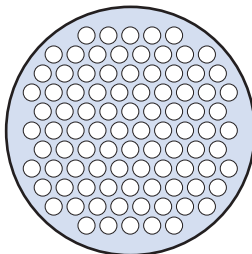
Shell Size 17
31 Contacts



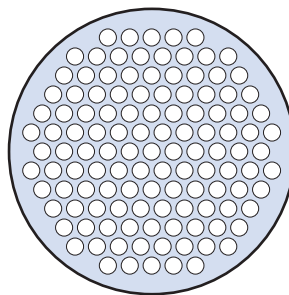
Shell Size 19
42 Contacts



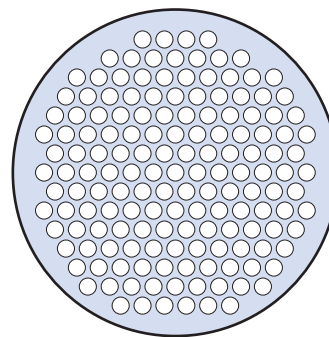
Shell Size 23
64 Contacts



Shell Size 25
92 Contacts



Shell Size 29
121 Contacts



Shell Size 33
155 Contacts

Insert Arrangements per MIL-STD-1698

MIL-DTL-28840 Polarization Keyways



MIL-DTL
28840

B

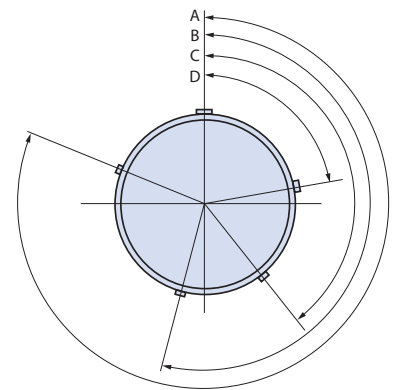
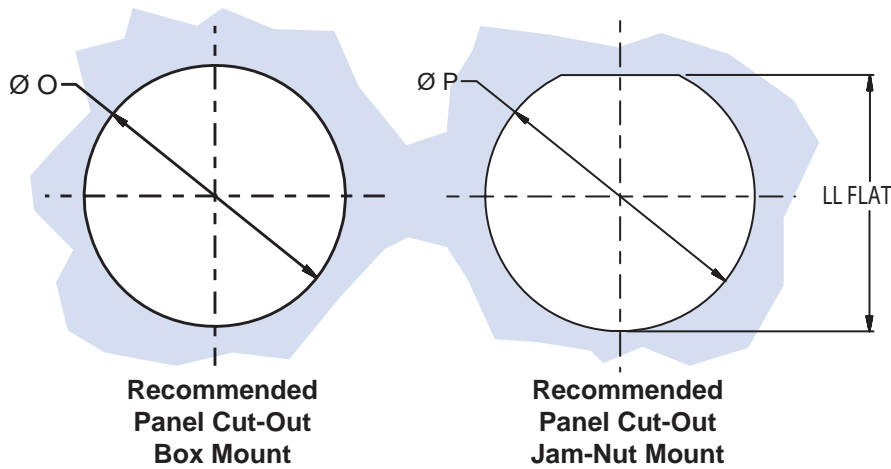


Table I: Panel Cutout

Designator	P Dia.	LL Flat	O Ref. Mtg. Hole
A (11)	.890 .880	.853 .843	.812
B (13)	1.015 1.005	.978 .968	.937
C (15)	1.203 1.193	1.165 1.155	1.124
D (17)	1.265 1.255	1.228 1.218	1.187
E (19)	1.453 1.443	1.415 1.405	1.374
F (23)	1.640 1.630	1.603 1.593	1.562
G (25)	1.765 1.755	1.728 1.718	1.687
H (29)	1.953 1.943	1.915 1.905	1.874
J (33)	2.140 2.130	1.103 2.093	2.062

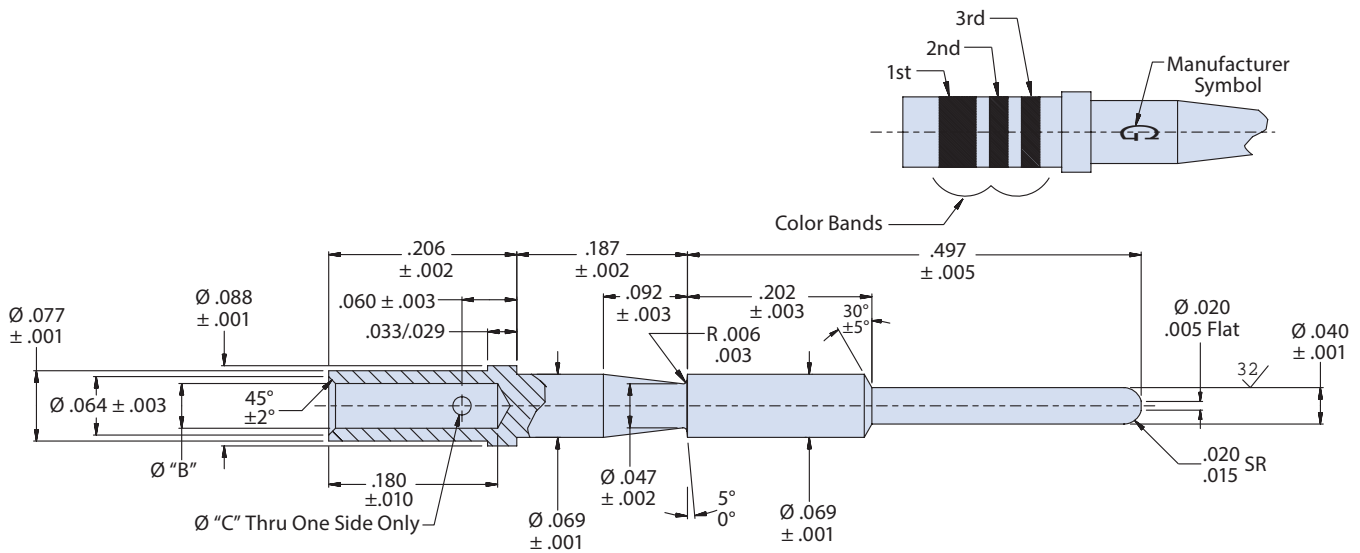
Table II: Alternate Keyways

Designator	Key and Keyway Arrangement	AR° or AP° BSC	BR° or BP° BSC	CR° or CP° BSC	DR° or DP° BSC
A (11) B (13)	1	95	141	208	236
	2	113	156	182	292
	3	90	145	195	252
	4	53	156	220	255
	5	119	146	176	298
	6	51	141	184	242
C (15) D (17)	1	80	142	196	293
	2	135	170	200	310
	3	49	169	200	244
	4	66	140	200	257
	5	62	145	180	280
	6	79	153	197	272
E (19) F (23) G (25) H (29) J (33)	1	80	142	196	293
	2	135	170	200	310
	3	49	169	200	244
	4	66	140	200	257
	5	62	145	180	280
	6	79	153	197	272

M28840

Standard Pin Crimp Contact for MIL-DTL-28840 Connectors


Mating End Size	Wire Accomodation	Military Part Number	Glenair Part Number
20	28-32 AWG	M39029/83-451	850-004-20-451
20	22-26 AWG	M39029/83-450	850-004-20-450
20	20-24 AWG	M39029/83-508	850-004-20-508


Material and Finish

Pin Contact: copper alloy per ASTM B197, 50 microinches gold plated per ASTM B488 Type II Code C Class 1,27 over nickel plate per QQ-N-290 Class 2, 50-100 microinches. Approved for space flight.

**M39029/83
850-004
Standard Duty Electrical Pin Contact**



MIL-DTL
28840

Table I: Contact Dimensions

Size	Part Number	Military Number	Ø B	Ø C	Color Bands		
					1st	2nd	3rd
20	850-004-20-508	M39029/83-508	.050 .048	.032 .026	Green	Black	Grey
20	850-004-20-450	M39029/83-450	.0355 .0335	.032 .026	Yellow	Green	Black
20	850-004-20-451	M39029/83-451	.0200 .0180	.022 .018	Yellow	Green	Brown

Table II: Tool Compatibility

Size	Part Number	Military Number	AWG Handling	Crimp Tool	Positioner	Insertion Tool	Extraction Tool
20	850-004-20-508	M39029/83-508	20, 22, 24	M22520/34-01	M22520/34-02	M81969/33-01	M81969/34-01
20	850-004-20-450	M39029/83-450	22, 24, 26	M22520/34-01	M22520/34-02	M81969/33-01	M81969/34-01
20	850-004-20-451	M39029/83-451	28, 30, 32	M22520/34-01	M22520/34-02	M81969/33-01	M81969/34-01

B

Test	Performance Specifications
Durability	(Meets SAE-AS39029, paragraph 3.5.9) No electrical or mechanical defects after 500 cycles of engagement and disengagement
Contact Retention	(Meets MIL-DTL-38999, paragraph 3.23) The axial displacement of the contact shall not exceed .012 inch (0.30 mm). No damage to contacts or inserts shall result.
Pin Engagement End	(Meets SAE-AS39029 paragraph 3.4.1) Unless otherwise specified, the mating end of all contacts (except size 22 and smaller) shall be formed with an approximate spherical radius.
Permeability	(Meets SAE-AS39029, paragraph 3.5.1) When tested as specified in paragraph 4.7.2, the relative magnetic permeability of the contact shall be no greater than 2.0.
Vibration	(Meets SAE-AS39029, paragraph 3.5.10) When contacts are tested as specified in paragraph 4.7.11, there shall be no electrical discontinuity of 1 microsecond or greater. There shall be no defects detrimental to the mechanical or electrical performance.
Salt Spray (corrosion)	(Meets SAE-AS39029, paragraph 3.5.12) When tested as specified in 4.7.13, mated contacts shall withstand 48 hours of salt spray conditioning without defects detrimental to the mechanical or electrical performance.
Temperature life	(Meets SAE-AS39029, paragraph 3.5.13) When tested as specified in paragraph 4.7.14, mated contacts shall withstand temperature conditioning for 1,000 hours without defects detrimental to mechanical or electrical performance. There shall be no diffusion/migration of the base metal through the contact outer plating. Class A - Maximum operating temperature +125°C. per paragraph 1.2.2
Dielectric withstanding voltage	(Meets SAE-AS39029, paragraph 3.5.19) When tested as specified in paragraph 4.7.20, crimped contacts shall show no evidence of breakdown or flashover.
Workmanship	(Meets SAE-AS39029, paragraph 3.7) Contacts shall be processed in such a manner as to be uniform in quality and shall be free from foreign material and burrs or sharp corners that might damage the connector or affect mating of the contacts. Burrs and sharp edges shall be removed 0.005 inch maximum.

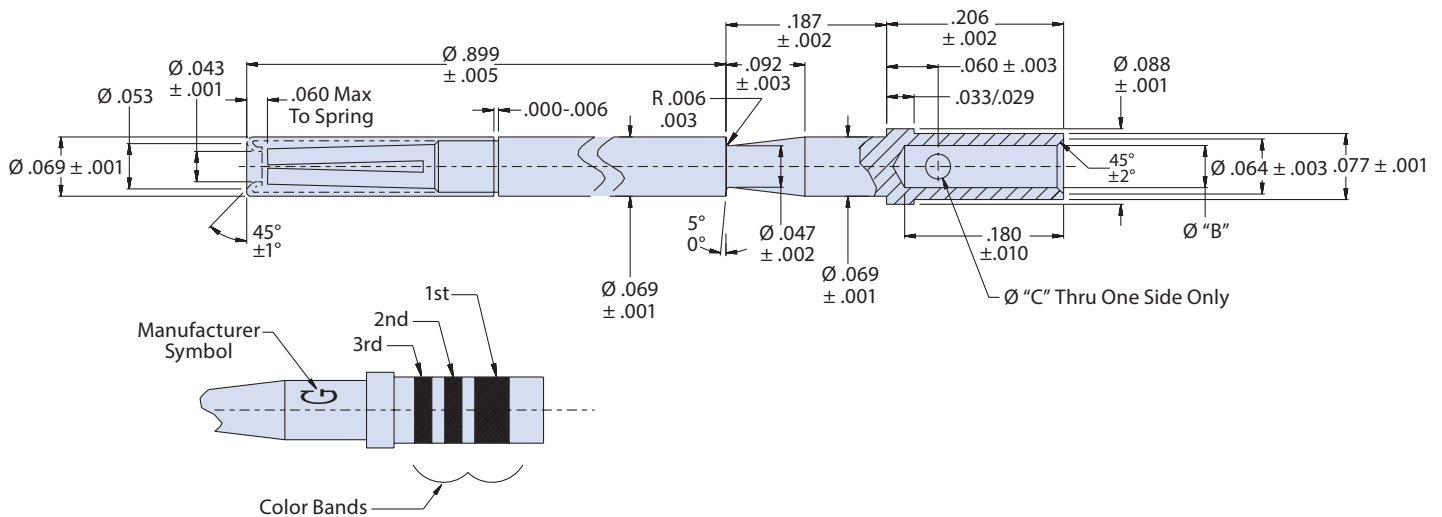
M28840

Standard Socket Crimp Contact for MIL-DTL-28840 Connectors



B

Mating End Size	Wire Accommodation	Military Part Number	Glenair Part Number
20	28-32 AWG	M39029/84-453	850-005-20-453
20	22-26 AWG	M39029/84-452	850-005-20-452
20	20-24 AWG	M39029/84-509	850-005-20-509



Material and Finish

Socket Contact: Copper alloy per ASTM B197, 50 microinches gold plated per ASTM B488

Type II Code C Class 1,27 over nickel plate per QQ-N-290 Class 2, 50-100 microinches.

Approved for space flight.

Socket Contact Hood: Stainless steel, passivated per AMS-QQ-P-35. Approved for space flight.

**M39029/84
850-005
Standard Duty Electrical Socket Contact**



MIL-DTL
28840

Table I: Contact Dimensions

Size	Part Number	Military Number	Ø B	Ø C	Color Bands		
					1st	2nd	3rd
20	850-005-20-509	M39029/84-509	.050 .048	.032 .026	Green	Black	White
20	850-005-20-452	M39029/84-452	.0355 .0335	.032 .026	Yellow	Green	Red
20	850-005-20-453	M39029/84-453	.0200 .0180	.022 .018	Yellow	Green	Orange

B

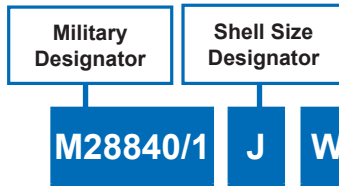
Table II: Tool Compatibility

Size	Part Number	Military Number	AWG Handling	Crimp Tool	Positioner	Insertion Tool	Extraction Tool
20	850-005-20-509	M39029/84-509	20, 22, 24	M22520/34-01	M22520/34-02	M81969/33-01	M81969/34-01
20	850-005-20-452	M39029/84-452	22, 24, 26	M22520/34-01	M22520/34-02	M81969/33-01	M81969/34-01
20	850-005-20-453	M39029/84-453	28, 30, 32	M22520/34-01	M22520/34-02	M81969/33-01	M81969/34-01

Test

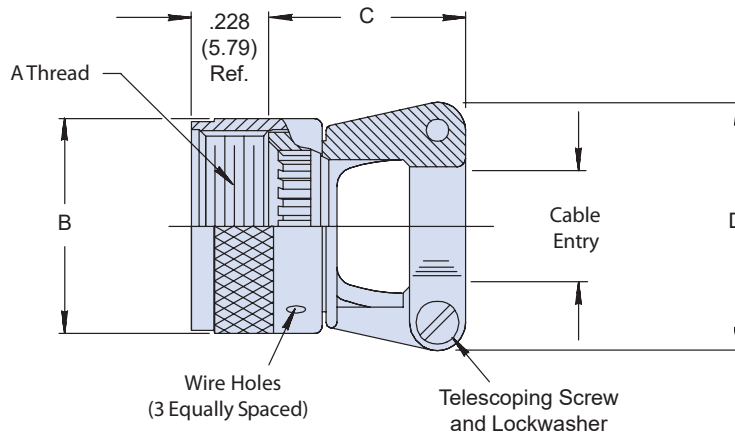
Performance Specifications

Durability	(Meets SAE-AS39029, paragraph 3.5.9) No electrical or mechanical defects after 500 cycles of engagement and disengagement
Contact Retention	(Meets MIL-DTL-38999, paragraph 3.23) The axial displacement of the contact shall not exceed .012 inch (0.30 mm). No damage to contacts or inserts shall result.
Pin Engagement End	(Meets SAE-AS39029 paragraph 3.4.1) Unless otherwise specified, the mating end of all contacts (except size 22 and smaller) shall be formed with an approximate spherical radius.
Permeability	(Meets SAE-AS39029, paragraph 3.5.1) When tested as specified in paragraph 4.7.2, the relative magnetic permeability of the contact shall be no greater than 2.0.
Vibration	(Meets SAE-AS39029, paragraph 3.5.10) When contacts are tested as specified in paragraph 4.7.11, there shall be no electrical discontinuity of 1 microsecond or greater. There shall be no defects detrimental to the mechanical or electrical performance.
Salt Spray (corrosion)	(Meets SAE-AS39029, paragraph 3.5.12) When tested as specified in 4.7.13, mated contacts shall withstand 48 hours of salt spray conditioning without defects detrimental to the mechanical or electrical performance.
Temperature life	(Meets SAE-AS39029, paragraph 3.5.13) When tested as specified in paragraph 4.7.14, mated contacts shall withstand temperature conditioning for 1,000 hours without defects detrimental to mechanical or electrical performance. There shall be no diffusion/migration of the base metal through the contact outer plating. Class A - Maximum operating temperature +125°C. per paragraph 1.2.2
Dielectric withstanding voltage	(Meets SAE-AS39029, paragraph 3.5.19) When tested as specified in paragraph 4.7.20, crimped contacts shall show no evidence of breakdown or flashover.
Workmanship	(Meets SAE-AS39029, paragraph 3.7) Contacts shall be processed in such a manner as to be uniform in quality and shall be free from foreign material and burrs or sharp corners that might damage the connector or affect mating of the contacts. Burrs and sharp edges shall be removed 0.005 inch maximum.



Material and Finish

W - Aluminum, Cadmium Plate, O.D. over Electroless Nickel
D - Corrosion Resistant Steel, Cadmium Plate, Black
L - Aluminum, Tin-Zinc Plate, over Electroless Nickel, Non-Reflective, RoHS



Designator	A Thread Class 2B	B Max. Diameter	C Max.	D Max.	Screw Size Ref.	Cable Entry	
						Min.	Max.
A (11)	.750-20 UNEF	1.028 (26.11)	1.091 (27.71)	.903 (22.94)	.114-40	.177 (4.50)	.286 (7.26)
B (13)	.875-20 UNEF	1.141 (28.98)	1.091 (27.71)	.977 (24.82)	.114-40	.177 (4.50)	.286 (7.26)
C (15)	1.000-20 UNEF	1.263 (32.08)	1.091 (27.71)	1.151 (29.24)	.114-40	.250 (6.35)	.416 (10.57)
D (17)	1.125-18 UNEF	1.387 (35.23)	1.206 (30.63)	1.281 (32.54)	.114-40	.291 (7.39)	.476 (12.09)
E (19)	1.250-18 UNEF	1.513 (38.43)	1.320 (33.53)	1.406 (35.71)	.114-40	.348 (8.84)	.626 (15.90)
F (23)	1.438-18 UNEF	1.703 (43.26)	1.445 (36.70)	1.576 (40.03)	.134-32	.429 (10.90)	.831 (21.11)
G (25)	1.562-18 UNEF	1.825 (46.36)	1.570 (39.88)	1.666 (42.32)	.134-32	.523 (13.28)	.956 (24.28)
H (29)	1.875-16 UN	2.143 (54.43)	1.721 (43.71)	2.046 (51.97)	.134-32	.643 (16.33)	1.081 (27.46)
J (33)	2.062-16 UNS	2.329 (59.16)	1.908 (48.46)	2.209 (56.11)	.162-32	.704 (17.88)	1.187 (30.15)

M28840/2 90° Strain Relief



MIL-DTL
28840

Military
Designator

Shell Size
Designator

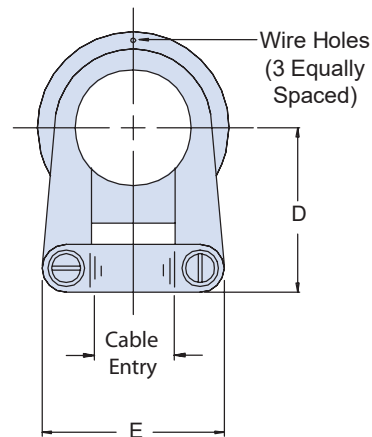
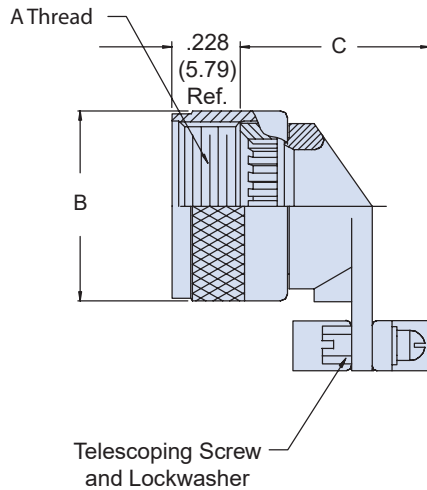
M28840/2

J

W

Material and Finish

W - Aluminum, Cadmium Plate, O.D. over Electroless Nickel
D - Corrosion Resistant Steel, Cadmium Plate, Black
L - Aluminum, Tin-Zinc Plate, over Electroless Nickel, Non-Reflective, RoHS

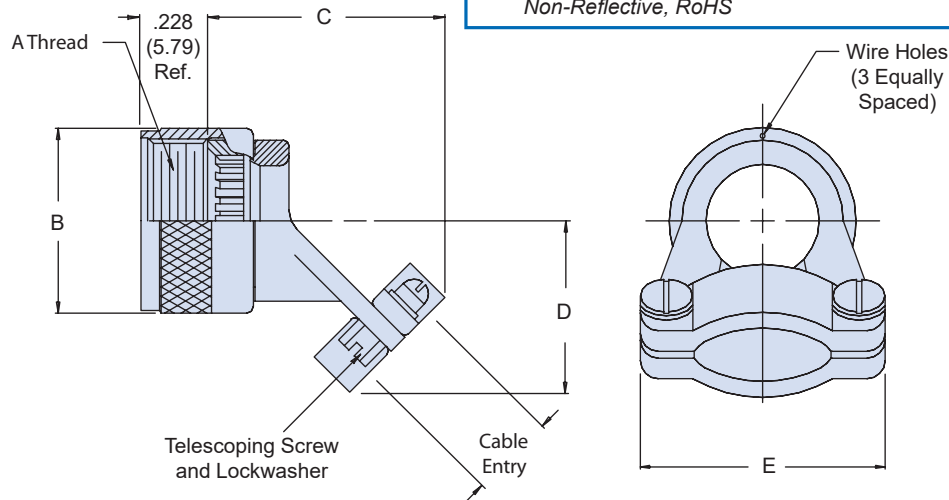


B

Designator	A Thread Class 2B	B Max. Diameter	C Max.	D Max.	E Max.	Screw Size Ref.	Cable Entry	
							Min.	Max.
A (11)	.750-20 UNEF	1.028 (26.11)	1.071 (27.20)	.929 (23.60)	.903 (22.94)	.114-40	.177 (4.50)	.286 (7.26)
B (13)	.875-20 UNEF	1.141 (28.98)	1.071 (27.20)	.929 (23.60)	.977 (24.82)	.114-40	.177 (4.50)	.286 (7.26)
C (15)	1.000-20 UNEF	1.263 (32.08)	1.280 (32.51)	1.056 (26.82)	1.151 (29.24)	.114-40	.250 (6.35)	.416 (10.57)
D (17)	1.125-18 UNEF	1.387 (35.23)	1.392 (35.36)	1.233 (31.32)	1.281 (32.54)	.114-40	.291 (7.39)	.476 (12.09)
E (19)	1.250-18 UNEF	1.513 (38.43)	1.517 (38.53)	1.296 (32.92)	1.406 (35.71)	.114-40	.348 (8.84)	.626 (15.90)
F (23)	1.438-18 UNEF	1.703 (43.26)	1.642 (41.71)	1.358 (34.49)	1.576 (40.03)	.134-32	.429 (10.90)	.831 (21.11)
G (25)	1.562-18 UNEF	1.825 (46.36)	1.767 (44.88)	1.420 (36.07)	1.666 (42.32)	.134-32	.523 (13.28)	.956 (24.28)
H (29)	1.875-16 UN	2.143 (54.43)	1.905 (48.39)	1.634 (41.50)	2.046 (51.97)	.134-32	.643 (16.33)	1.081 (27.46)
J (33)	2.062-16 UNS	2.329 (59.16)	1.968 (49.99)	1.859 (47.22)	2.209 (56.11)	.162-32	.704 (17.88)	1.187 (30.15)

**Military
Designator**
**Shell Size
Designator**
M28840/3
J
W
Material and Finish

W - Aluminum, Cadmium Plate, O.D. over Electroless Nickel
D - Corrosion Resistant Steel, Cadmium Plate, Black
L - Aluminum, Tin-Zinc Plate, over Electroless Nickel,
 Non-Reflective, RoHS

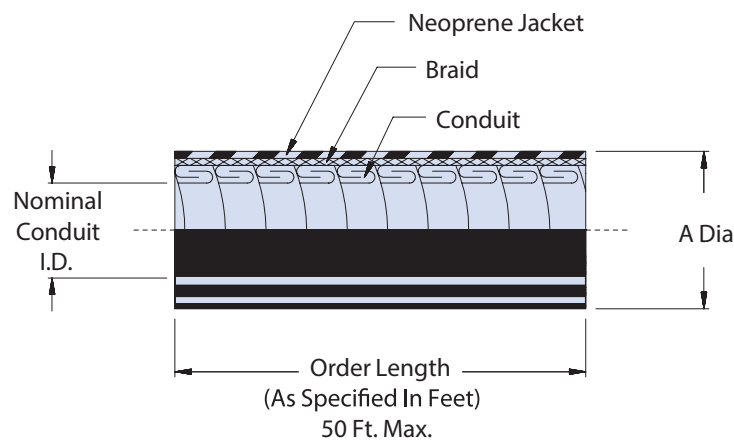
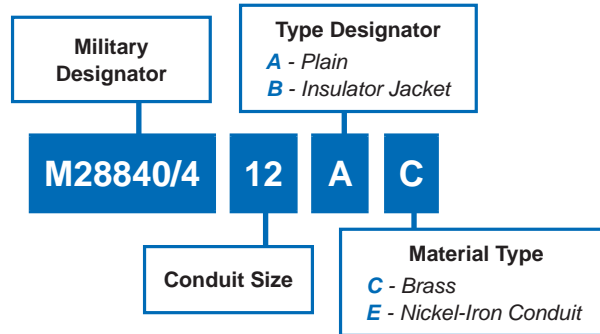


Designator	A Thread Class 2B	B Max. Diameter	C Max.	D Max.	E Max.	Screw Size Ref.	Cable Entry	
							Min.	Max.
A (11)	.750-20 UNEF	1.028 (26.11)	1.091 (27.71)	.929 (23.60)	.903 (22.94)	.114-40	.177 (4.50)	.286 (7.26)
B (13)	.875-20 UNEF	1.141 (28.98)	1.091 (27.71)	.929 (23.60)	.977 (24.82)	.114-40	.177 (4.50)	.286 (7.26)
C (15)	1.000-20 UNEF	1.263 (32.08)	1.091 (27.71)	1.056 (26.82)	1.151 (29.24)	.114-40	.250 (6.35)	.416 (10.57)
D (17)	1.125-18 UNEF	1.387 (35.23)	1.206 (30.63)	1.233 (31.32)	1.281 (32.54)	.114-40	.291 (7.39)	.476 (12.09)
E (19)	1.250-18 UNEF	1.513 (38.43)	1.320 (33.53)	1.296 (32.92)	1.406 (35.71)	.114-40	.348 (8.84)	.626 (15.90)
F (23)	1.438-18 UNEF	1.703 (43.26)	1.445 (36.70)	1.358 (34.49)	1.576 (40.03)	.134-32	.429 (10.90)	.831 (21.11)
G (25)	1.562-18 UNEF	1.825 (46.36)	1.570 (39.88)	1.420 (36.07)	1.666 (42.32)	.134-32	.523 (13.28)	.956 (24.28)
H (29)	1.875-16 UN	2.143 (54.43)	1.721 (43.71)	1.634 (41.50)	2.046 (51.97)	.134-32	.643 (16.33)	1.081 (27.46)
J (33)	2.062-16 UNS	2.329 (59.16)	1.908 (48.46)	1.859 (47.22)	2.209 (56.11)	.162-32	.704 (17.88)	1.187 (30.15)

M28840/4 Metal Core Conduit

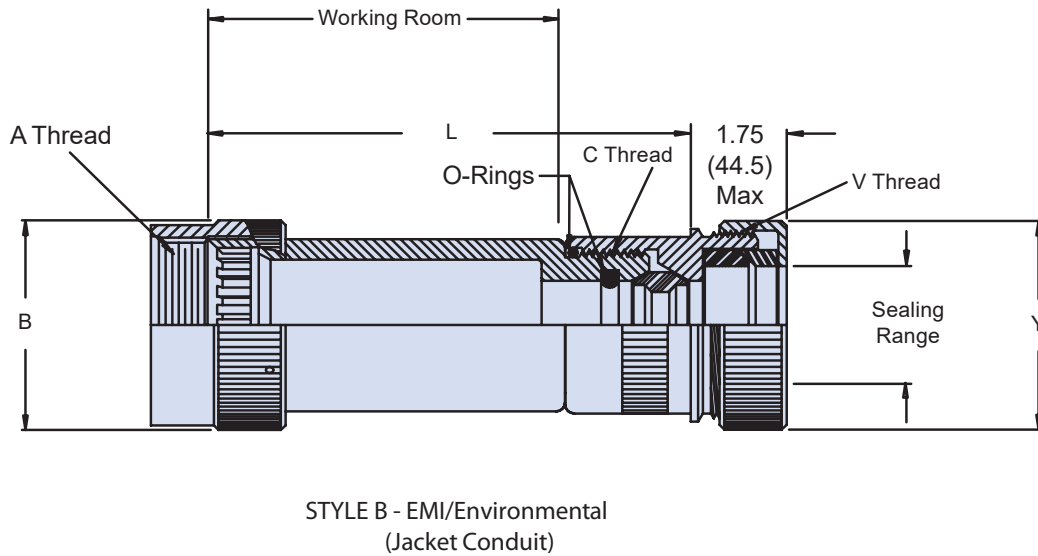
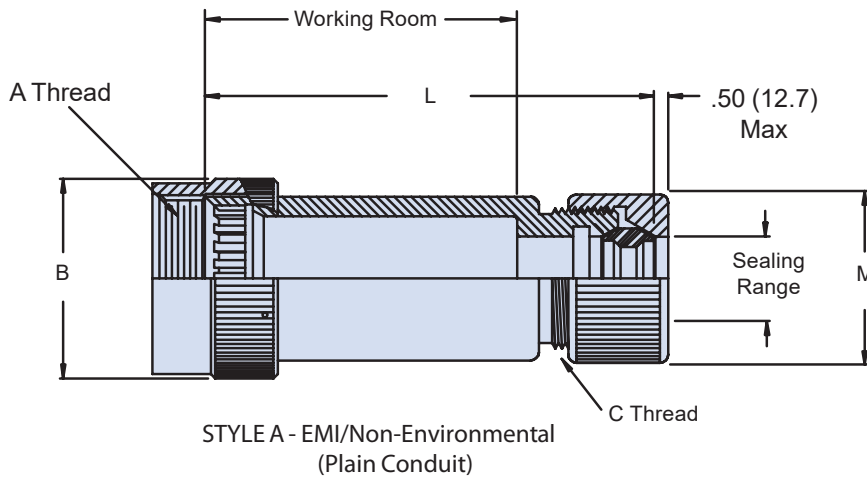


MIL-DTL
28840



Size	Nominal Conduit Inside Diameter	A Diameter Over Shield ± .010 (0.25)	L	B Diameter Max Over Jacket
03	.375 (9.52)	.525 (13.34)	50 ft. Max.	.688 (17.47)
04	.500 (12.70)	.650 (16.51)		.812 (20.62)
05	.625 (15.87)	.765 (19.43)		.937 (23.79)
06	.750 (19.05)	.925 (23.50)		1.078 (27.38)
08	1.00 (25.40)	1.210 (30.73)		1.437 (36.49)
10	1.25 (31.75)	1.455 (36.96)		1.695 (43.05)
12	1.500 (38.10)	1.725 (43.82)		1.956 (49.68)
16	2.000 (50.80)	2.200 (55.88)		2.469 (62.71)

Military Designator	Dash Number	Material and Finish	
M28840/5	16	<i>W</i> - Aluminum, Cadmium Plate, O.D. over Electroless Nickel <i>D</i> - Corrosion Resistant Steel, Cadmium Plate, Black <i>L</i> - Aluminum, Tin-Zinc Plate, over Electroless Nickel, Non-Reflective, RoHS	
		Designator Type	
		<i>A</i> - EMI, Non-Environmental <i>B</i> - EMI, Environmental	



M28840/5 Backshell for Metal Core Conduit



MIL-DTL
28840

B

Dash Number	Designator	Conduit Size	L ± .12 (± 3.05)	Working Room Ref.	V Thread Class 2*	M Max. Diameter	Y Max. Diameter	
01	A (11)	03	1.75 (44.45)	1.00 (25.4)	1.00-20 UNEF	1.12 (28.45)	1.19 (30.23)	
02	B (13)				1.188-18 UNEF	1.25 (31.8)	1.38 (35.1)	
03		1.000-20 UNEF			1.12 (28.5)	1.19 (30.23)		
04	C (15)	1.188-30 UNEF			1.25 (31.8)	1.38 (35.1)		
05		1.438-18 UNEF			1.43 (36.3)	1.63 (41.4)		
06		3.00 (76.2)			1.750-18 UNS	1.62 (41.2)	1.94 (49.3)	
07	D (17)	05	2.25 (57.15)	1.50 (38.10)	1.438-18 UNEF	1.43 (36.3)	1.63 (41.4)	
08		06			1.750-18 UNS	1.62 (41.2)	1.94 (49.3)	
09		08			2.00-18 UNS	1.81 (46.0)	2.19 (55.6)	
10	E (19)	05		1.50 (38.10)	1.438-18 UNEF	1.43 (36.3)	1.63 (41.4)	
11		06			1.750-18 UNEF	1.62 (41.2)	1.94 (49.3)	
12		08			2.00-18 UNS	1.81 (46.2)	2.19 (55.6)	
13	F (23)	06	2.75 (69.85)	2.00 (50.80)	1.750-18 UNS	1.62 (41.2)	1.94 (49.3)	
14		08			2.00-18 UN	1.81 (46.0)	2.19 (55.6)	
15		10			2.00-16 UN	2.18 (55.4)	2.44 (62.0)	
16	G (25)	06		2.75 (60.85)	1.750-18 UN	1.62 (41.2)	1.94 (49.3)	
17		08				2.00-18 UN	1.81 (46.0)	2.19 (55.6)
18		10				2.250-16 UN	2.18 (55.4)	2.44 (62.0)
19	H (29)	12	4.00 (101.6)	2.50 (63.50)	2.500-16 UN	2.56 (65.0)	2.69 (68.3)	
20		10			2.250-16 UN	2.18 (55.4)	2.44 (62.0)	
21		12			2.500-16 UN	2.56 (65.0)	2.66 (68.3)	
22	J (33)	12		3.25 (82.55)	2.500-16 UN	2.56 (65.0)	2.60 (88.3)	
23		16				3.00-16 UN	3.06 (77.8)	3.18 (81.0)
24	A (11)	04		1.75 (44.45)	1.00 (25.4)	1.188-18 UNEF	1.75 (31.75)	1.38 (35.0)

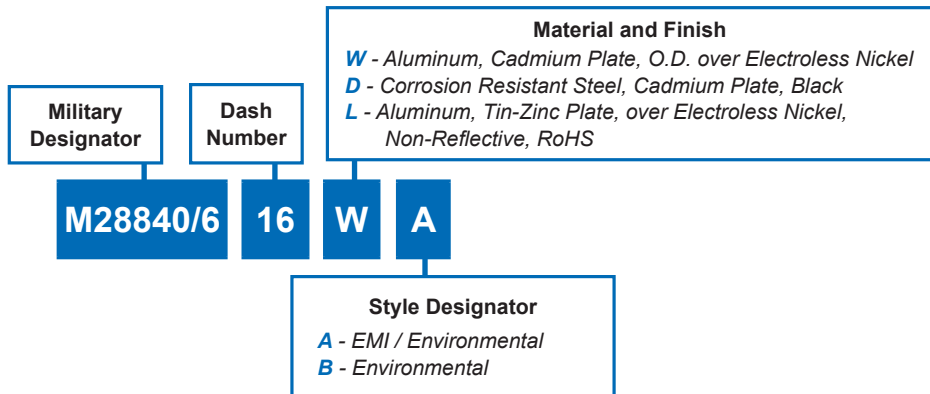
Dash Number	Designator	A Thread Class 2B	B Diameter Max.	C Thread Class 2*	Sealing Range	
					Max.	Min.
01	A (11)	.750-20 UNEF	1.028 (26.11)	.875-20 UNEF	.63 (16.0)	.50 (12.7)
02	B (13)	.875-20 UNEF	1.141 (28.98)			
03				1.000-20 UNEF	.75 (19.1)	.63 (16.0)
04	C (15)	1.000-20 UNEF	1.263 (32.08)	.875-20 UNEF	.63 (16.0)	.50 (12.7)
05				1.000-20 UNEF	.75 (19.1)	.63 (16.0)
06				1.125-18 UNEF	.88 (22.4)	.75 (19.1)
07				1.250-18 UNEF	1.00 (25.4)	.88 (22.4)
08	D (17)	1.125-18 UNEF	1.387 (35.23)	1.125-18 UNEF	.88 (22.4)	.75 (19.1)
09				1.250-18 UNEF	1.00 (25.4)	.88 (22.4)
10				1.625-18 UNEF	1.38 (35.1)	1.19 (30.2)
11	E (19)	1.250-18 UNEF	1.513 (38.43)	1.125-18 UNEF	.88 (22.4)	.75 (19.1)
12				1.250-18 UNEF	1.00 (25.4)	.88 (22.4)
13				1.625-18 UNEF	1.38 (35.1)	1.19 (30.2)
14	F (23)	1.438-18 UNEF	1.703 (45.51)	1.250-18 UNEF	1.00 (25.4)	.88 (22.4)
15				1.625-18 UNEF	1.38 (35.1)	1.19 (30.2)
16				1.875-18 UNS	1.63 (41.4)	1.44 (36.6)
17	G (25)	1.562-18 UNEF	1.825 (46.35)	1.250-18 UNEF	1.00 (25.4)	.88 (22.4)
18				1.625-18 UNEF	1.38 (35.1)	1.19 (30.2)
19				1.875-18 UNS	1.63 (41.4)	1.44 (36.6)
20				2.125-16 UN	1.88 (47.8)	1.63 (41.4)
21	H (29)	1.875-16 UN	2.143 (54.43)	1.875-18 UNS	1.63 (41.4)	1.44 (36.6)
22				2.125-16 UN	1.88 (47.8)	1.63 (41.4)
23	J (33)	2.062-16 UNS	2.329 (59.16)	2.125-16 UN	1.88 (47.8)	1.63 (41.4)
24				2.750-16 UN	2.38 (60.5)	2.13 (54.1)
25	A (11)	.750-20 UNEF	1.028 (26.11)	.875-20 UNEF	.75 (19.05)	.63 (16.00)

B

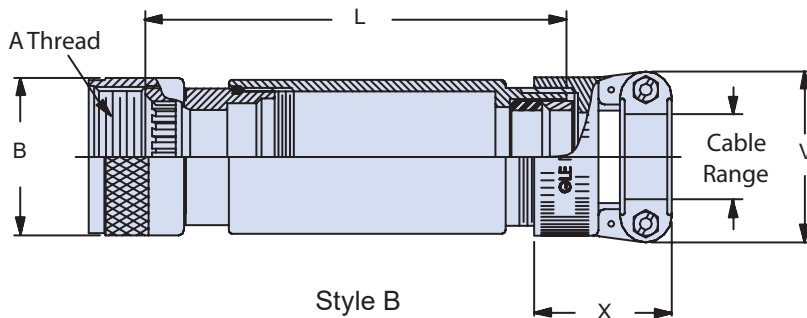
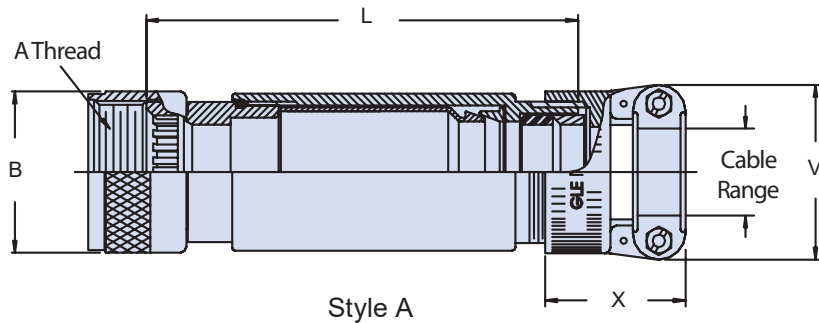
M28840/6 EMI/RFI Environmental Backshell



MIL-DTL
28840



B



Dash Number	Designator	A Thread Class 2B	B Diameter Max.	C Diameter Max.	D Diameter Min.	Cable Range	
						Max.	Min.
01	A (11)	.750-20 UNEF	1.028 (26.11)	1.156 (29.36)	.750 (19.05)	.312 (7.92)	.188 (4.77)
02	B (13)	.875-20 UNEF	1.141 (28.98)	1.156 (29.36)	.750 (19.05)	.312 (7.92)	.188 (4.77)
03	B (13)	.875-20 UNEF	1.141 (28.98)	1.156 (29.36)	.750 (19.05)	.438 (11.12)	.281 (7.14)
04	C (15)	1.000-20 UNEF	1.263 (32.08)	1.281 (32.54)	.875 (22.23)	.312 (7.92)	.188 (4.77)
05	C (15)	1.000-20 UNEF	1.263 (32.08)	1.281 (32.54)	.875 (22.23)	.438 (11.12)	.281 (7.14)
06	C (15)	1.000-20 UNEF	1.263 (32.08)	1.281 (32.54)	.875 (22.23)	.562 (14.27)	.344 (8.74)
07	C (15)	1.000-20 UNEF	1.263 (32.08)	1.406 (35.71)	1.000 (25.40)	.750 (19.05)	.438 (11.12)
08	D (17)	1.125-18 UNEF	1.387 (35.23)	1.406 (35.71)	1.000 (25.40)	.625 (15.87)	.375 (9.52)
09	D (17)	1.125-18 UNEF	1.387 (35.23)	1.406 (35.71)	1.000 (25.40)	.750 (19.05)	.438 (11.12)
10	D (17)	1.125-18 UNEF	1.387 (35.23)	1.531 (38.89)	1.125 (28.58)	.938 (23.82)	.625 (15.87)
11	E (19)	1.250-18 UNEF	1.513 (38.43)	1.531 (38.89)	1.125 (28.58)	.625 (15.87)	.375 (9.52)
12	E (19)	1.250-18 UNEF	1.513 (38.43)	1.531 (38.89)	1.125 (28.58)	.938 (23.82)	.625 (15.87)
13	F (23)	1.438-18 UNEF	1.703 (45.51)	1.656 (42.06)	1.250 (31.75)	.750 (19.05)	.438 (11.12)
14	F (23)	1.438-18 UNEF	1.703 (45.51)	1.656 (42.06)	1.250 (31.75)	.938 (23.82)	.625 (15.87)
15	F (23)	1.438-18 UNEF	1.703 (45.51)	1.781 (45.24)	1.375 (34.93)	1.188 (30.17)	.812 (20.62)
16	G (25)	1.562-18 UNEF	1.825 (46.35)	1.781 (45.24)	1.375 (34.93)	.938 (23.82)	.625 (15.87)
17	G (25)	1.562-18 UNEF	1.825 (46.35)	1.781 (45.24)	1.375 (34.93)	1.188 (30.17)	.812 (20.62)
18	G (25)	1.562-18 UNEF	1.825 (46.35)	1.781 (45.24)	1.375 (34.93)	1.250 (31.75)	.875 (22.23)
19	G (25)	1.562-18 UNEF	1.825 (46.35)	2.156 (54.76)	1.750 (44.45)	1.380 (35.05)	1.000 (25.4)
20	H (29)	1.875-16 UNS	2.143 (54.43)	2.156 (54.76)	1.750 (44.45)	1.188 (30.17)	.812 (20.62)
21	H (29)	1.875-16 UNS	2.143 (54.43)	2.156 (54.76)	1.750 (44.45)	1.380 (38.05)	1.000 (25.4)
22	J (33)	2.062-16 UNS	2.329 (59.16)	2.281 (57.94)	1.875 (47.63)	1.380 (38.05)	1.000 (25.4)
23	J (33)	2.062-16 UNS	2.329 (59.16)	2.281 (57.94)	1.875 (47.63)	1.625 (41.28)	1.250 (31.75)
24	A (11)	.750-20 UNEF	1.028 (26.11)	1.156 (29.36)	.750 (19.05)	.438 (11.12)	.281 (7.14)
25	A (11)	.750-20 UNEF	1.028 (26.11)	1.281 (32.54)	.875 (22.22)	.562 (14.27)	.344 (8.74)
26	B (13)	.875-30 UNEF	1.141 (28.98)	1.281 (32.54)	.875 (22.22)	.562 (14.27)	.344 (8.74)
27	B (13)	.875-30 UNEF	1.141 (28.98)	1.406 (35.71)	1.000 (25.4)	.625 (15.87)	.375 (9.52)
28	C (15)	1.000-20 UNEF	1.263 (32.08)	1.406 (35.71)	1.000 (25.4)	.625 (15.87)	.375 (9.52)

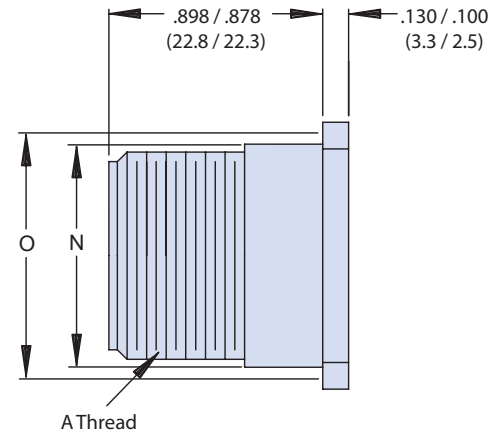
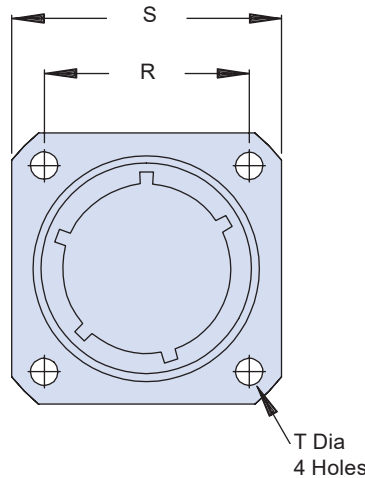
M28840/6 EMI/RFI Environmental Backshell



MIL-DTL
28840

B

Dash Number	Designator 1/	L ± .12 (± 3.05)	Working Room Ref.	V Thread Class 2*	X Max. Diameter	Y Ref
01	A (11)	3.62 (91.55)	2.00 (50.80)	.625-24 UNEF	1.281 (32.53)	.938 (23.82)
02	B (13)	3.62 (91.55)	2.00 (50.80)	.625-24 UNEF	1.281 (32.53)	.938 (23.82)
03	B (13)	3.62 (91.55)	2.00 (50.80)	.750-20 UNEF	1.281 (32.53)	1.125 (23.82)
04	C (15)	3.62 (91.55)	2.00 (50.80)	.625-24 UNEF	1.281 (32.53)	.938 (23.82)
05	C (15)	3.62 (91.55)	2.00 (50.80)	.750-20 UNEF	1.281 (32.53)	1.125 (28.57)
06	C (15)	3.62 (91.55)	2.00 (50.80)	.875-20 UNEF	1.281 (32.53)	1.312 (33.32)
07	C (15)	4.12 (104.65)	2.50 (63.50)	1.188-18 UNEF	1.312 (33.32)	1.593 (40.62)
08	D (17)	4.12 (104.65)	2.50 (63.50)	1.000-20 UNEF	1.281 (32.54)	1.312 (33.32)
09	D (17)	4.12 (104.65)	2.50 (63.50)	1.188-19 UNEF	1.312 (33.32)	1.593 (40.62)
10	D (17)	4.12 (104.65)	2.50 (63.50)	1.438-18 UNEF	1.406 (35.71)	1.750 (44.45)
11	E (19)	4.12 (104.65)	2.50 (63.50)	1.000-20 UNEF	1.281 (32.54)	1.312 (33.32)
12	E (19)	4.12 (104.65)	2.50 (63.50)	1.438-18 UNEF	1.406 (35.71)	1.750 (44.45)
13	F (23)	4.62 (117.35)	3.00 (76.20)	1.188-18 UNEF	1.312 (33.32)	1.593 (40.62)
14	F (23)	4.62 (117.35)	3.00 (76.20)	1.438-18 UNEF	1.406 (35.71)	1.750 (44.45)
15	F (23)	4.62 (117.35)	3.00 (76.20)	1.750-18 UNS	1.593 (40.46)	2.093 (53.16)
16	G (25)	4.62 (117.35)	3.00 (76.20)	1.438-18 UNEF	1.406 (35.71)	1.750 (44.45)
17	G (25)	5.12 (130.05)	3.50 (88.90)	1.750-18 UNS	1.593 (40.46)	2.093 (53.16)
18	G (25)	5.12 (130.05)	3.50 (88.90)	1.750-18 UNS	1.593 (40.46)	2.093 (53.16)
19	G (25)	5.12 (130.05)	3.50 (88.90)	2.000-18 UNS	1.625 (41.28)	2.343 (59.51)
20	H (29)	5.12 (130.05)	3.50 (88.90)	1.750-18 UNS	1.593 (40.46)	2.093 (53.16)
21	H (29)	5.12 (130.05)	3.50 (88.90)	2.000-18 UNS	1.625 (41.28)	2.343 (59.51)
22	J (33)	5.12 (130.05)	3.50 (88.90)	2.000-18 UNS	1.625 (41.28)	2.343 (59.51)
23	J (33)	5.12 (130.05)	3.50 (88.90)	2.250-16 UNS	1.900 (48.26)	2.750 (69.85)
24	A (11)	3.62 (91.95)	2.00 (50.80)	.750-20 UNEF	1.281 (32.54)	1.125 (28.57)
25	A (11)	3.62 (91.95)	2.00 (50.80)	.875-20 UNEF	1.281 (32.54)	1.312 (33.32)
26	B (13)	3.62 (91.95)	2.00 (50.80)	.875-20 UNEF	1.281 (32.54)	1.312 (33.32)
27	B (13)	4.12 (104.65)	2.50 (63.50)	1.000-20 UNEF	1.281 (32.54)	1.312 (33.32)
28	C (15)	4.12 (104.65)	2.50 (63.50)	1.000-20 UNEF	1.281 (32.54)	1.312 (33.32)

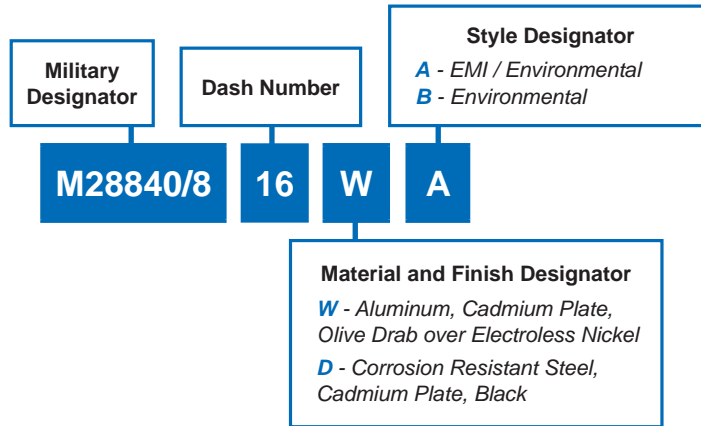
Military Designator
Shell Size
Material and Finish
Omit - Aluminum, Cadmium Plate, O.D. over Electroless Nickel
L - Aluminum, Tin-Zinc Plate, over Electroless Nickel, Non-Reflective, RoHS
M28840/7
B
4
L
Key Positions
1, 2, 3, 4, 5 and 6 Position


Designator	N Diameter Max.	O Reference Mating Hole	R T.P. Centerline to Centerline	S	T
A (11)	.750 (19.05)	.812 (20.62)	.750 (19.05)	1.043 (26.49) 1.003 (25.48)	.130 (3.30) .115 (2.92)
B (13)	.875 (22.22)	.937 (23.80)	.843 (21.41)	1.158 (29.41) 1.118 (28.40)	
C (15)	1.062 (26.97)	1.124 (28.55)	.968 (24.59)	1.278 (32.46) 1.238 (31.45)	
D (17)	1.125 (28.58)	1.187 (30.15)	1.015 (25.78)	1.403 (35.64) 1.363 (34.62)	
E (19)	1.312 (33.32)	1.374 (34.90)	1.140 (28.96)	1.528 (38.81) 1.488 (37.80)	
F (23)	1.500 (38.10)	1.562 (39.67)	1.281 (32.54)	1.738 (44.15) 1.698 (43.13)	
G (25)	1.625 (41.28)	1.687 (42.85)	1.392 (35.36)	1.838 (46.69) 1.798 (45.67)	.157 (3.99) .142 (3.61)
H (29)	1.812 (46.02)	1.874 (47.60)	1.568 (39.83)	2.158 (54.81) 2.118 (53.80)	
J (33)	2.000 (50.80)	2.062 (52.37)	1.734 (44.04)	2.348 (59.64) 2.308 (58.62)	

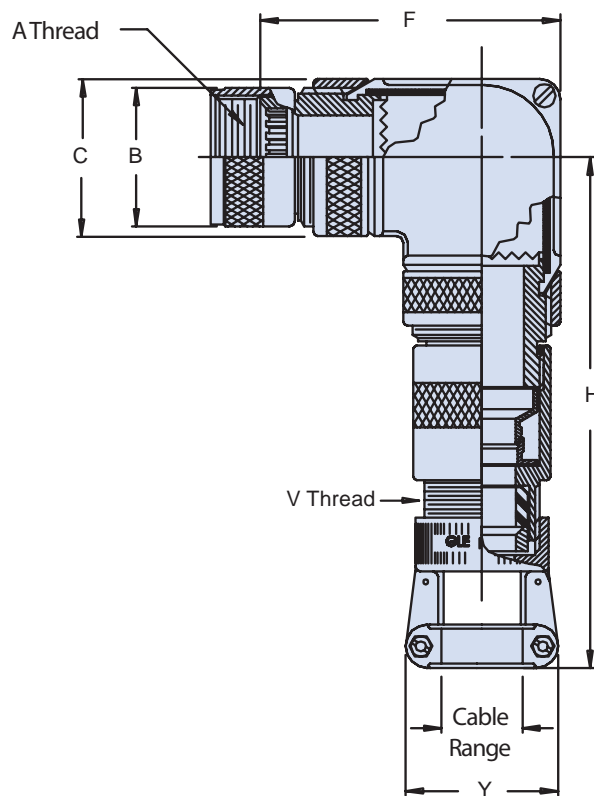
M28840/8 90° EMI/RFI Environmental Backshell



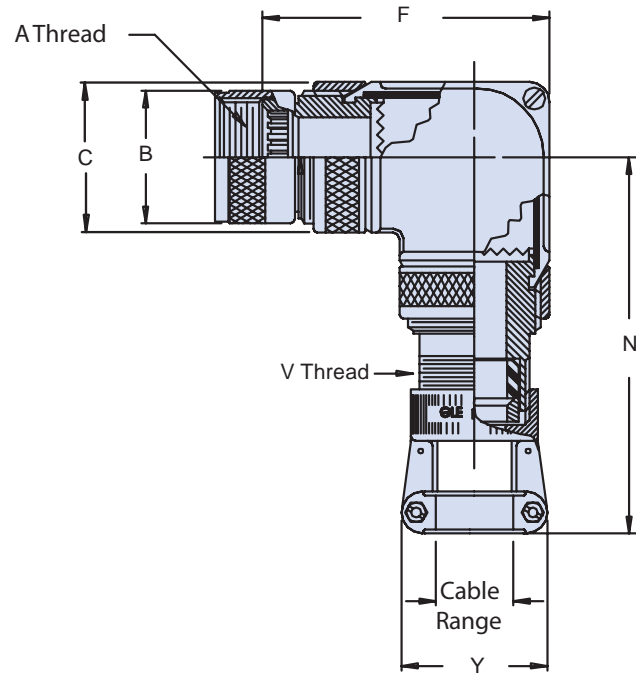
MIL-DTL
28840



B



BACKSHELL STYLE A



BACKSHELL STYLE B

Backshell Size	Dash Number	Designator	A Thread Class 2B	B Max. Diameter	C Max. Diameter	D Max. Diameter
A	01	A (11)	.750-20 UNEF	1.028 (26.11)	1.188 (30.17)	1.031 (26.19)
A	02	B (13)	.875-20 UNEF	1.141 (28.98)		
B	03	B (13)				
A	04	C (15)	1.00-20 UNEF	1.263 (32.08)	1.438 (36.52)	1.156 (29.36)
B	05	C (15)				
C	06	C (15)				
D	07	C (15)				
A	08	D (17)	1.125-18 UNEF	1.387 (35.23)	1.688 (42.87)	1.281 (32.54)
B	09	D (17)				
C	10	D (17)				
A	11	E (19)	1.250-18 UNEF	1.513 (38.43)		
B	12	E (19)				
A	13	F (23)	1.438-18 UNEF	1.703 (43.51)	1.938 (49.22)	1.406 (35.71)
B	14	F (23)				
C	15	F (23)				
A	16	G (25)	1.562-18 UNEF	1.825 (46.35)		
B	17	G (25)				
C	18	G (25)				
D	19	G (25)				
A	20	H (29)	1.875-16 UN	2.143 (54.43)	2.188 (54.43)	1.531 (38.89)
B	21	H (29)				

B

M28840/8 90° EMI/RFI Environmental Backshell



MIL-DTL
28840

B

Backshell Size	Dash Number	Designator	Cable Range		E Max. Dim.	F Max. Dim.	V Thread Class 2
			Max.	Min.			
A	01	A (11)	.312 (7.92)	.188 (4.77)	1.156 (29.36)	2.614 (66.40)	.625-24 UNEF
A	02	B (13)	.312 (7.92)	.188 (4.77)			.625-24 UNEF
B	03	B (13)	.438 (11.12)	.281 (7.14)			.750-20 UNEF
A	04	C (15)	.312 (7.92)	.188 (4.77)	1.281 (32.54)	2.864 (72.75)	.625-24 UNEF
B	05	C (15)	.438 (11.12)	.281 (7.14)			.750-20 UNEF
C	06	C (15)	.562 (14.27)	.344 (8.74)			.875-20 UNEF
D	07	C (15)	.750 (19.05)	.438 (11.12)	1.406 (35.71)	3.114 (79.10)	1.188-18 UNEF
A	08	D (17)	.625 (15.87)	.375 (9.82)			1.000-20 UNEF
B	09	D (17)	.750 (19.05)	.438 (11.12)			1.188-18 UNEF
C	10	D (17)	.938 (23.82)	.625 (15.87)	1.531 (38.89)	3.364 (85.45)	1.438-18 UNEF
A	11	E (19)	.625 (15.87)	.375 (9.52)	1.406 (35.71)		1.00-20 UNEF
B	12	E (19)	.938 (23.82)	.625 (15.87)	1.531 (38.89)		1.438-18 UNEF
A	13	F (23)	.750 (19.05)	.438 (11.12)	1.406 (25.71)	3.614 (91.80)	1.188-18 UNEF
B	14	F (23)	.938 (23.82)	.625 (15.87)	1.531 (38.89)		1.438-18 UNEF
C	15	F (23)	1.188 (30.17)	.812 (20.62)	1.781 (45.24)		1.750-18 UNEF
A	16	G (25)	.938 (23.82)	.625 (15.87)	1.531 (38.89)	1.781 (45.24)	1.438-18 UNEF
B	17	G (25)	1.188 (30.17)	.812 (20.62)	1.750-18 UNS		
C	18	G (25)	1.250 (31.75)	.875 (22.23)	2.000-16 UNS		
D	19	G (25)	1.380 (35.05)	1.000 (25.40)	2.156 (54.76)	1.781 (45.24)	1.750-18 UNS
A	20	H (29)	1.188 (30.17)	.812 (20.62)	1.781 (45.24)		2.000-18 UNS
B	21	H (29)	1.380 (35.05)	1.000 (25.40)	2.156 (54.76)		

Backshell Size	Dash Number	Designator	X Ref. Dimension	Y Ref. Dimension	H Max. Style A	N Max. Style B
A	01	A (11)	1.281 (32.54)	.938 (23.82)	5.332 (134.43)	2.962 (75.23)
A	02	B (13)		.938 (23.82)	5.332 (134.43)	2.962 (75.23)
B	03	B (13)		1.125 (28.57)	5.332 (134.43)	2.962 (75.23)
A	04	C (15)		.938 (23.82)	5.457 (138.61)	3.087 (78.41)
B	05	C (15)		1.125 (28.57)	5.457 (138.61)	3.087 (78.41)
C	06	C (15)		1.312 (33.32)	5.457 (138.61)	3.087 (78.41)
D	07	C (15)		1.593 (40.62)	5.682 (144.32)	3.312 (84.12)
A	08	D (17)		1.312 (33.32)	5.682 (144.32)	3.312 (84.12)
B	09	D (17)	1.312 (33.32)	1.593 (40.62)	5.713 (145.11)	3.343 (84.91)
C	10	D (17)	1.406 (35.71)	1.750 (44.45)	5.807 (147.50)	3.437 (87.30)
A	11	E (19)	1.281 (32.54)	1.312 (33.32)	5.682 (144.32)	3.312 (84.12)
B	12	E (19)	1.406 (35.71)	1.750 (44.45)	5.832 (148.13)	3.462 (87.93)
A	13	F (23)	1.312 (33.32)	1.593 (40.62)	5.738 (145.28)	3.368 (85.55)
B	14	F (23)	1.406 (35.71)	1.750 (44.45)	5.832 (148.13)	3.462 (87.93)
C	15	F (23)	1.593 (40.46)	2.093 (53.16)	6.019 (152.88)	3.649 (92.68)
A	16	G (25)	1.406 (35.71)	1.750 (44.45)	5.832 (148.13)	3.462 (87.93)
B	17	G (25)	1.593 (40.46)	2.093 (53.16)	6.019 (152.88)	3.649 (92.68)
C	18	G (25)	1.593 (40.46)	2.093 (53.16)	6.144 (156.06)	3.774 (95.86)
D	19	G (25)	1.625 (41.28)	2.343 (59.51)	6.176 (156.87)	3.806 (96.62)
A	20	H (29)	1.593 (40.46)	2.093 (53.16)	6.144 (156.06)	3.774 (95.86)
B	21	H (29)	1.625 (41.28)	2.343 (59.51)	6.176 (156.87)	3.806 (96.62)

B

M28840/8 90° EMI/RFI Environmental Backshell



MIL-DTL
28840

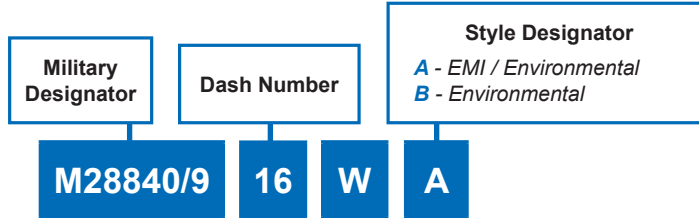
B

Backshell Size	Dash Number	Designator	A Thread Class 2B	B Max. Diameter	C Max. Diameter	D Max. Diameter
A	22	J (33)	2.062-16 UNS	2.329 (59.16)	2.688 (68.26)	1.781 (45.24)
A	23	J (33)				
B	24	A (11)	.750-20 UNEF	1.028 (26.11)	1.188 (30.17)	1.031 (26.19)
C	25	A (11)			1.438 (36.52)	1.156 (29.36)
C	26	B (13)	.875-20 UNEF	1.141 (28.98)	1.688 (42.87)	1.281 (32.54)
D	27	B (13)				
E	28	C (15)	1.000-20 UNEF	1.263 (32.08)		

Backshell Size	Dash Number	Designator	Cable Range		E Max. Dimensions	F Max. Dimensions	V Thread Class 2
			Max.	Min.			
A	22	J (33)	1.380 (35.05)	1.000 (25.40)	2.281 (57.94)	4.114 (104.50)	2.000-18 UNS
A	23	J (33)	1.625 (41.26)	1.250 (31.75)			2.250-16 UNS
B	24	A (11)	.438 (11.12)	.281 (7.14)	1.156 (29.36)	2.614 (66.40)	.750-20 UNEF
C	25	A (11)	.562 (14.27)	.344 (8.74)	1.281 (32.54)	2.864 (72.75)	.875-20 UNEF
C	26	B (13)	.562 (14.27)	.344 (8.74)			
D	27	B (13)	.625 (15.87)	.375 (9.52)	1.406 (35.71)	3.114 (79.10)	1.000-20 UNEF
E	28	C (15)	.625 (15.87)	.375 (9.50)			

Backshell Size	Dash Number	Designator	X Ref. Dimensions	Y Ref. Dimensions	H Max. Style A	N Max. Style B
A	22	J (33)	1.625 (41.28)	2.343 (59.51)	6.426 (163.22)	4.056 (103.02)
A	23	J (33)	1.900 (48.26)	2.750 (59.85)	6.701 (170.21)	4.33 (110.01)
B	24	A (11)	1.281 (32.54)	1.125 (28.57)	5.332 (135.43)	2.962 (75.23)
C	25	A (11)		1.312 (33.32)	5.457 (138.61)	3.087 (78.41)
C	26	B (13)			5.457 (138.61)	3.087 (78.41)
C	27	B (13)		5.682 (144.32)	3.312 (84.12)	
B	28	C (15)		5.682 (144.32)	3.312 (84.12)	

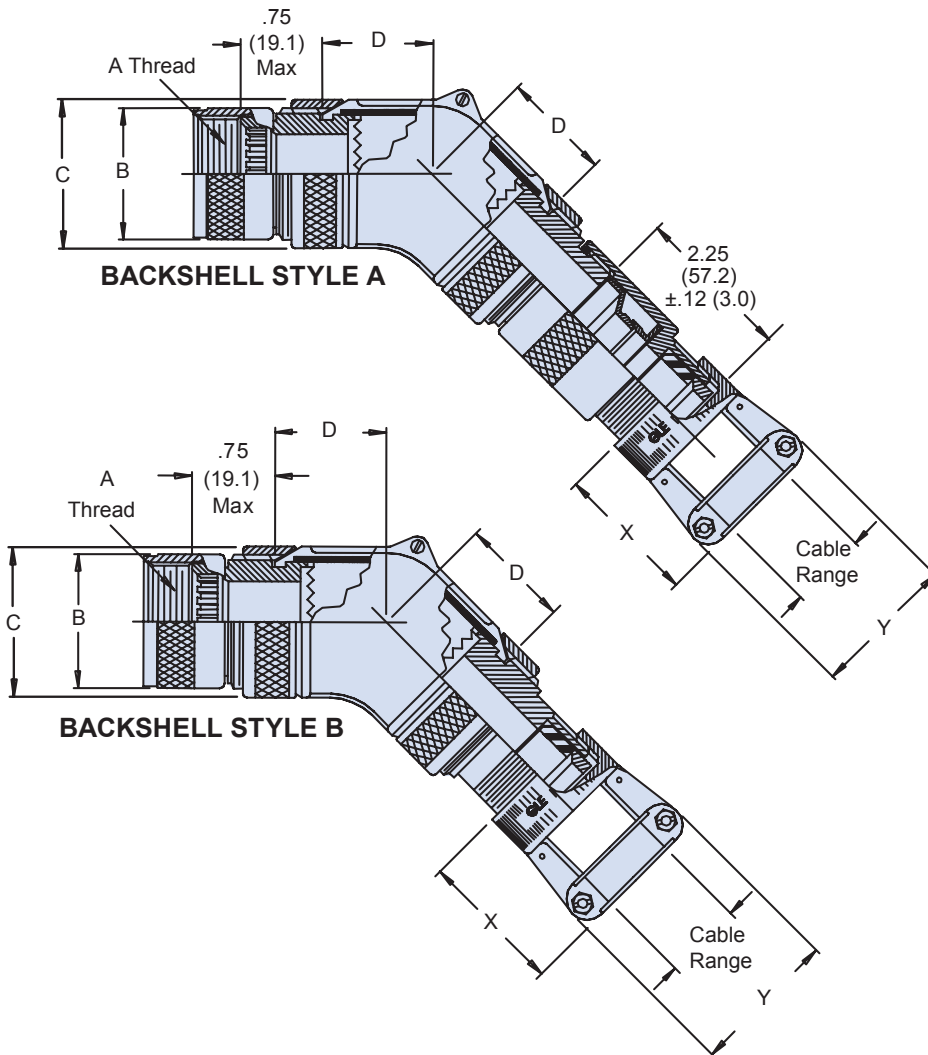
M28840/9 45° EMI/RFI Environmental Backshell



Material and Finish

W - Aluminum, Cadmium Plate, O.D. over Electroless Nickel
D - Corrosion Resistant Steel, Cadmium Plate, Black
L - Aluminum, Tin-Zinc Plate, over Electroless Nickel, Non-Reflective, RoHS

B



M28840/9
45° EMI/RFI Environmental Backshell



MIL-DTL
28840

B

Backshell Size	Dash Number	Designator	A Thread	B Max. Diameter	C Max. Diameter	D Max.
A	01	A (11)	.750-20 UNEF	1.028 (26.11)	1.188 (30.18)	1.031 (26.19)
A	02	B (13)	.875-20 UNEF	1.141 (28.98)		
B	03	B (13)				
A	04	C (15)	1.00-20 UNEF	1.263 (32.08)	1.438 (36.53)	1.156 (29.36)
B	05	C (15)				
C	06	C (15)				
D	07	C (15)				
A	08	D (17)	1.125-18 UNEF	1.387 (35.23)	1.688 (42.88)	1.281 (32.54)
B	09	D (17)				
C	10	D (17)				
A	11	E (19)	1.250-18 UNEF	1.513 (38.43)	1.938 (49.23)	1.406 (35.71)
B	12	E (19)				
A	13	F (23)	1.438-18 UNEF	1.703 (43.51)	1.938 (49.23)	1.406 (35.71)
B	14	F (23)				
C	15	F (23)				
A	16	G (25)	1.562-18 UNEF	1.825 (46.35)	2.188 (55.58)	1.531 (38.89)
B	17	G (25)				
C	18	G (25)				
D	19	G (25)				
A	20	H (29)	1.875-16 UN	2.143 (54.43)	2.188 (55.58)	1.531 (38.89)
B	21	H (29)				

B

Backshell Size	Dash Number	Designator	Cable Range		E Max. Dim.	F Max. Style A	H Max. Style B
			Max.	Min.			
A	01	A (11)	.312 (7.92)	.188 (4.77)	1.156 (29.36)	5.879 (149.33)	4.199 (106.65)
A	02	B (13)	.312 (7.92)	.188 (4.77)		5.879 (149.33)	4.199 (106.65)
B	03	B (13)	.438 (11.12)	.281 (7.14)		5.932 (150.67)	4.252 (108.00)
A	04	C (15)	.312 (7.92)	.188 (4.77)	1.281 (32.54)	6.092 (154.74)	4.412 (112.06)
B	05	C (15)	.438 (11.12)	.281 (7.14)		6.146 (156.11)	4.466 (113.44)
C	06	C (15)	.562 (14.27)	.344 (8.74)		6.202 (157.53)	4.522 (114.86)
D	07	C (15)	.750 (19.05)	.438 (11.12)	1.406 (35.71)	6.533 (165.94)	4.853 (123.27)
A	08	D (17)	.625 (15.87)	.375 (9.82)		6.413 (162.89)	4.733 (120.22)
B	09	D (17)	.750 (19.05)	.438 (11.12)		6.533 (165.94)	4.853 (123.27)
C	10	D (17)	.938 (23.82)	.625 (15.87)	1.531 (38.89)	6.636 (168.55)	4.956 (125.88)
A	11	E (19)	.625 (15.87)	.375 (9.52)	1.406 (35.71)	6.413 (162.89)	4.733 (120.22)
B	12	E (19)	.938 (23.82)	.625 (15.87)	1.531 (38.89)	6.846 (173.89)	5.166 (131.22)
A	13	F (23)	.750 (19.05)	.438 (11.12)	1.406 (25.71)	6.747 (171.37)	5.067 (128.70)
B	14	F (23)	.938 (23.82)	.625 (15.87)	1.531 (38.89)	6.846 (173.89)	5.166 (131.22)
C	15	F (23)	1.188 (30.17)	.812 (20.62)	1.781 (45.24)	7.103 (180.42)	5.423 (138.23)
A	16	G (25)	.938 (23.82)	.625 (15.87)	1.531 (38.89)	6.846 (173.89)	5.156 (130.96)
B	17	G (25)	1.188 (30.17)	.812 (20.62)	1.781 (45.24)	7.103 (180.42)	5.4239 (138.23)
C	18	G (25)	1.250 (31.75)	.875 (22.23)		7.316 (185.83)	5.636 (143.15)
D	19	G (25)	1.380 (35.05)	1.000 (25.40)	2.156 (54.76)	7.425 (188.60)	5.745 (145.92)
A	20	H (29)	1.188 (30.17)	.812 (20.62)	1.781 (45.24)	7.316 (185.83)	5.636 (143.15)
B	21	H (29)	1.380 (35.05)	1.000 (25.40)	2.156 (54.76)	7.425 (188.60)	5.745 (145.92)

M28840/9 45° EMI/RFI Environmental Backshell



MIL-DTL
28840

Backshell Size	Dash Number	Designator	V Thread Class	X Ref. Dimension	Y Ref. Dimension
A	01	A (11)	.625-24 UNEF	1.281 (32.54)	.938 (23.82)
A	02	B (13)	.625-24 UNEF		.938 (23.82)
B	03	B (13)	.750-20 UNEF		1.125 (28.57)
A	04	C (15)	.625-24 UNEF		.938 (23.82)
B	05	C (15)	.750-20 UNEF		1.125 (28.57)
C	06	C (15)	.875-20 UNEF		1.312 (33.32)
D	07	C (15)	1.188-18 UNEF	1.312 (33.32)	1.593 (40.62)
A	08	D (17)	1.000-20 UNEF	1.281 (32.54)	1.312 (33.32)
B	09	D (17)	1.188-18 UNEF	1.312 (33.32)	1.593 (40.62)
C	10	D (17)	1.438-18 UNEF	1.406 (35.71)	1.750 (44.45)
A	11	E (19)	1.000-20 UNEF	1.281 (32.54)	1.312 (33.32)
B	12	E (19)	1.438-18 UNEF	1.406 (35.71)	1.750 (44.45)
A	13	F (23)	1.188-18 UNEF	1.312 (33.32)	1.593 (40.62)
B	14	F (23)	1.438-18 UNEF	1.406 (35.71)	1.750 (44.45)
C	15	F (23)	1.750-18 UNS	1.593 (40.46)	2.093 (53.16)
A	16	G (25)	1.438-18 UNEF	1.406 (35.71)	1.750 (44.45)
B	17	G (25)	1.750-18 UNS	1.593 (40.46)	2.093 (53.16)
C	18	G (25)	1.750-18 UNS	1.593 (40.46)	2.093 (53.16)
D	19	G (25)	2.000-16 UNS	1.625 (41.28)	2.343 (59.51)
A	20	H (29)	1.750-18 UNS	1.593 (40.46)	2.093 (53.16)
B	21	H (29)	2.000-18 UNS	1.625 (41.28)	2.343 (59.51)

B



M28840/9
45° EMI/RFI Environmental Backshell

Backshell Size	Dash Number	Designator	A Thread	B Max. Diameter	C Max. Diameter	D Max.
A	22	J (33)	2.062-16 UNEF	2.329 (59.16)	2.688 (68.28)	1.781 (45.24)
B	23	J (33)				
B	24	A (11)	.750-20 UNEF	1.028 (26.11)	1.188 (30.18)	1.031 (26.19)
C	25	A (11)			1.438 (36.53)	1.156 (29.36)
C	26	B (13)	.875-20 UNEF	1.141 (28.98)	1.688 (42.88)	1.156 (29.36)
D	27	B (13)				1.281 (32.54)
E	28	C (15)	1.000-20 UNEF	1.263 (32.08)		

B

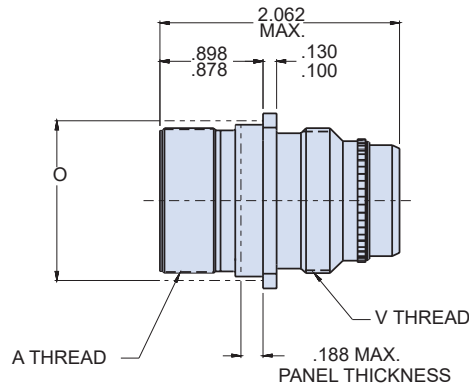
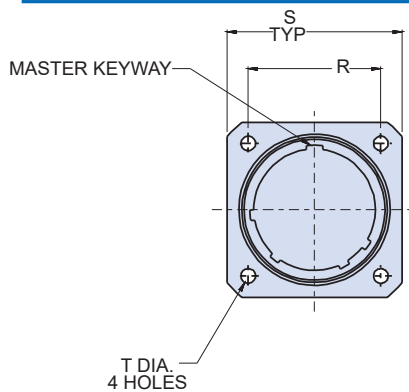
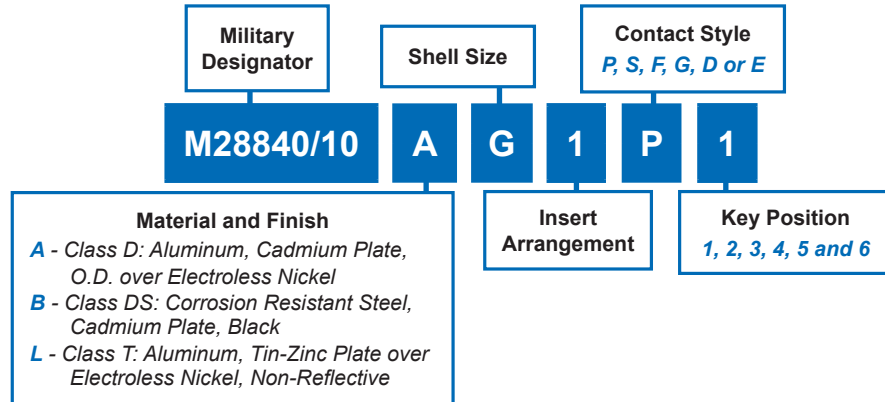
Backshell Size	Dash Number	Designator	Cable Range		E Max. Dimension	F Max. Style A	H Max. Style B
			Max.	Min.			
A	22	J (33)	1.380 (35.05)	1.000 (25.40)	2.281 (57.94)	7.852 (199.44)	6.127 (156.77)
B	23	J (33)	1.625 (41.28)	1.250 (31.75)		6.454 (163.93)	6.454 (163.93)
B	24	A (11)	.438 (11.12)	.281 (7.14)	1.156 (29.36)	5.932 (150.67)	4.252 (108.00)
C	25	A (11)	.562 (14.27)	.344 (8.74)	1.281 (32.54)	6.202 (157.53)	4.522 (114.86)
C	26	B (13)	.562 (14.27)	.344 (8.74)	1.281 (32.54)	6.202 (157.53)	4.522 (114.86)
D	27	B (13)	.625 (15.87)	.375 (9.52)	1.406	6.413 (162.89)	4.733 (120.22)
E	28	C (15)	.625 (15.87)	.375 (9.50)		6.413 (162.89)	4.733 (120.22)

Backshell Size	Dash Number	Designator	V Thread Class	X Ref. Dimension	Y Ref. Dimension
A	22	J (33)	2.000-18 UNS	1.625 (41.28)	2.343 (59.51)
B	23	J (33)	2.250-16 UNS	1.900 (48.26)	2.750 (69.85)
B	24	A (11)	.750-20 UNEF	1.281 (32.54)	1.125 (28.57)
C	25	A (11)	.875-20 UNEF		1.312 (33.32)
C	26	B (13)	.875-20 UNEF		
D	27	B (13)	1.000-20 UNEF		
E	28	C (15)	1.000-20 UNEF		

M28840/10 Wall Mount Receptacle Connector

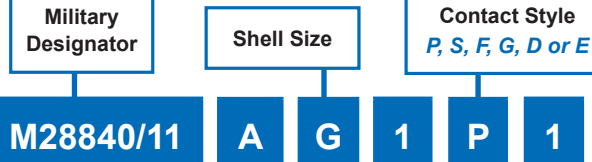


MIL-DTL
28840



Military Shell Size	Shell Size	A Thread Class 2A	V Thread Class 2A	Ø Ref. Mtg. Hole	R True Position ϕ to ϕ	S	T Diameter
A	11	.750-.1P-.2L-D.S.	.750-20 UNEF	.812 (20.62)	.750 (19.05)	1.043 (26.49) 1.003 (25.48)	.130 (3.30) .115 (2.92)
B	13	.875-.1P-.2L-D.S.	.875-20 UNEF	.937 (23.80)	.843 (21.41)	1.158 (29.41) 1.118 (28.40)	
C	15	1.062-.1P-.2L-D.S.	1.000-20 UNEF	1.124 (28.55)	.968 (24.59)	1.278 (32.46) 1.238 (31.45)	
D	17	1.125-.1P-.2L-D.S.	1.125-18 UNEF	1.187 (30.15)	1.015 (25.78)	1.403 (35.64) 1.363 (34.62)	
E	19	1.312-.1P-.2L-D.S.	1.250-18 UNEF	1.374 (34.90)	1.140 (28.96)	1.528 (38.81) 1.488 (37.80)	
F	23	1.500-.1P-.2L-D.S.	1.437-18 UNEF	1.562 (39.67)	1.281 (32.54)	1.738 (44.15) 1.698 (43.13)	
G	25	1.625-.1P-.2L-D.S.	1.562-18 UNEF	1.687 (42.85)	1.392 (35.36)	1.838 (46.69) 1.798 (45.67)	.157 (3.99) .142 (3.61)
H	29	1.812-.1P-.2L-D.S.	1.875-16 UN	1.874 (47.60)	1.568 (39.83)	2.158 (54.81) 2.118 (53.80)	
J	33	2.000-.1P-.2L-D.S.	2.062-16 UNS	2.062 (52.37)	1.734 (44.04)	2.348 (59.64) 2.308 (58.62)	.183 (4.65) .168 (4.27)

M28840/11 In-Line Receptacle Connector

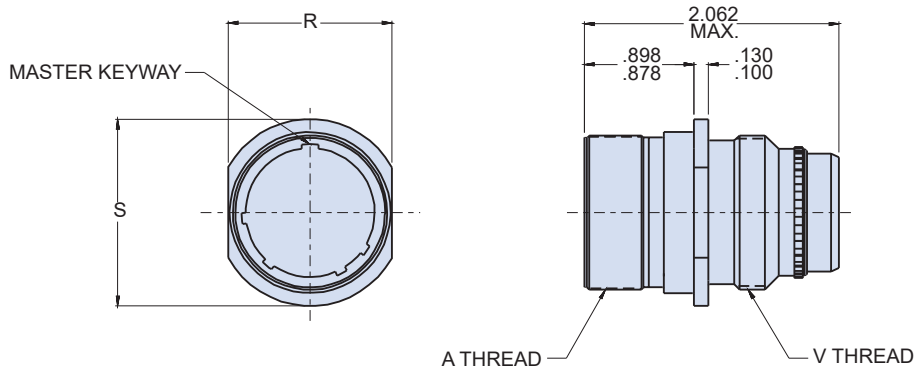


Material and Finish

A - Class D: Aluminum, Cadmium Plate, O.D. over Electroless Nickel
B - Class DS: Corrosion Resistant Steel, Cadmium Plate, Black
L - Class T: Aluminum, Tin-Zinc Plate over Electroless Nickel, Non-Reflective

Insert Arrangement

Key Position
1, 2, 3, 4, 5 and 6



Military Shell Size	Shell Size	A Thread Class 2A	V Thread Class 2A	R	S Diameter
A	11	.750-.1P-.2L-D.S.	.750-20 UNEF	.768 (19.51) .758 (19.25)	.963 (24.46) .943 (23.95)
B	13	.875-.1P-.2L-D.S.	.875-20 UNEF	.893 (22.68) .883 (22.43)	1.088 (27.63) 1.063 (27.13)
C	15	1.062-.1P-.2L-D.S.	1.000-20 UNEF	1.080 (27.43) 1.070 (27.18)	1.275 (32.38) 1.255 (31.88)
D	17	1.125-.1P-.2L-D.S.	1.125-18 UNEF	1.143 (29.03) 1.133 (28.78)	1.338 (33.98) 1.318 (33.48)
E	19	1.312-.1P-.2L-D.S.	1.250-18 UNEF	1.330 (33.78) 1.320 (33.53)	1.525 (38.74) 1.505 (38.23)
F	23	1.500-.1P-.2L-D.S.	1.437-18 UNEF	1.518 (38.56) 1.508 (38.30)	1.713 (43.51) 1.693 (43.00)
G	25	1.625-.1P-.2L-D.S.	1.562-18 UNEF	1.643 (41.73) 1.633 (41.48)	1.838 (46.09) 1.818 (46.18)
H	29	1.812-.1P-.2L-D.S.	1.875-16 UN	1.893 (48.08) 1.883 (47.83)	2.088 (53.04) 2.068 (52.53)
J	33	2.000-.1P-.2L-D.S.	2.062-16 UNS	2.080 (52.83) 2.070 (52.58)	2.275 (57.78) 2.255 (57.28)

M28840/12 Box Mount Receptacle Connector



MIL-DTL
28840

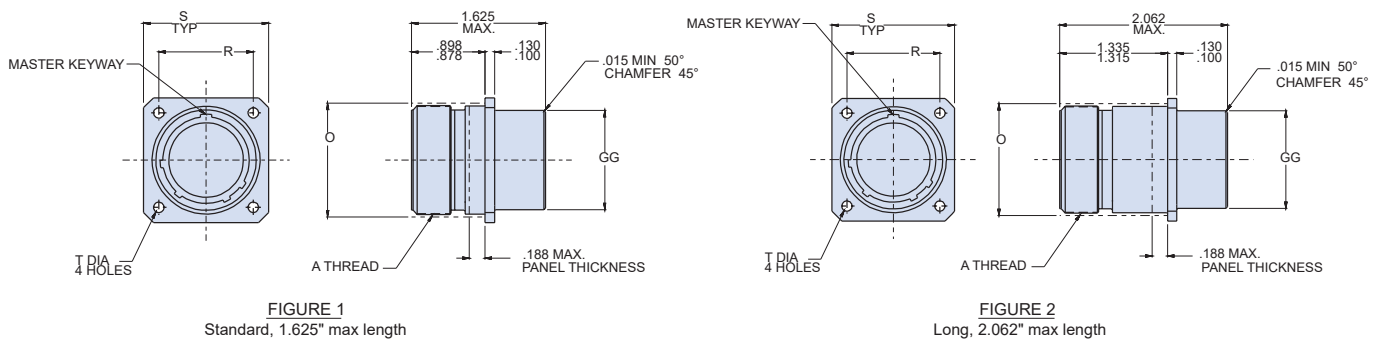
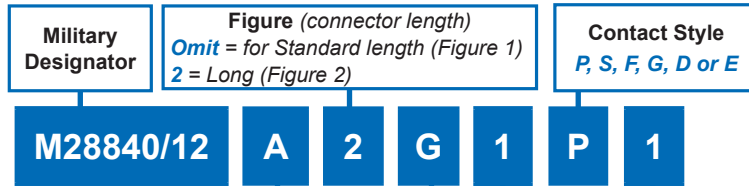


FIGURE 1
Standard, 1.625" max length

FIGURE 2
Long, 2.062" max length

Designator	N Diameter Max	O Reference Mating Hole	R True Position Centerline to Centerline	S	T	GG Diameter Max.
A (11)	.750 (19.05)	.812 (20.62)	.750 (19.05)	1.043 (26.49) 1.003 (25.48)	.130 (3.30) .115 (2.92)	.758 (19.25)
B (13)	.875 (22.22)	.937 (23.80)	.843 (21.41)	1.158 (29.41) 1.118 (28.40)		.880 (22.35)
C (15)	1.062 (26.97)	1.124 (28.55)	.968 (24.59)	1.278 (32.46) 1.238 (31.45)		1.005 (25.53)
D (17)	1.125 (28.58)	1.187 (30.15)	1.015 (25.78)	1.403 (35.64) 1.363 (34.62)		1.130 (28.70)
E (19)	1.312 (33.32)	1.374 (34.90)	1.140 (28.96)	1.528 (38.81) 1.488 (37.80)		1.255 (31.88)
F (23)	1.500 (38.10)	1.562 (39.67)	1.281 (32.54)	1.738 (44.15) 1.698 (43.13)		1.443 (36.65)
G (25)	1.625 (41.28)	1.687 (42.85)	1.392 (35.36)	1.838 (46.69) 1.798 (45.67)	.157 (3.99) .142 (3.61)	1.567 (39.80)
H (29)	1.812 (46.02)	1.874 (47.60)	1.568 (39.83)	2.158 (54.81) 2.118 (53.80)		1.880 (47.75)
J (33)	2.000 (50.80)	2.062 (52.37)	1.734 (44.04)	2.343 (59.64) 2.308 (58.62)		2.067 (52.50)

Military Designator

Shell Size Designator

Chain Attachment Style

- A - Link Chain with Fastener
- B - Link Chain with Ring for Jam-Nut Mounting Receptacle
- C - Link Chain with Ring for Cable-Connecting Receptacle

M28840/13

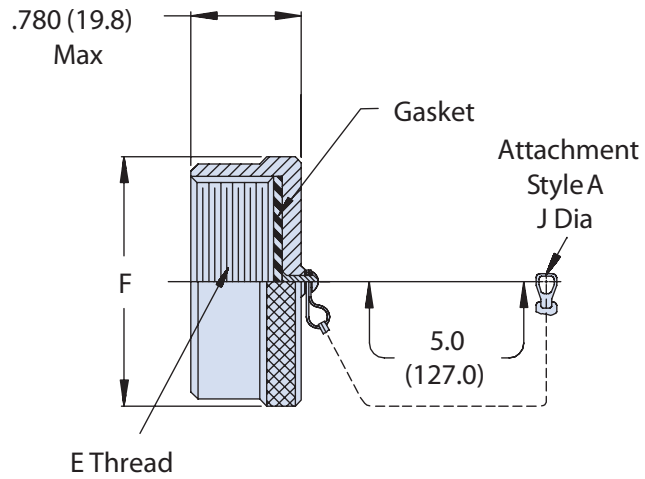
H

A

W

Material and Finish

- W - Aluminum, Cadmium Plate, O.D. over Electroless Nickel
- D - Corrosion Resistant Steel, Cadmium Plate, Black
- L - Aluminum, Tin-Zinc Plate, over Electroless Nickel, Non-Reflective, RoHS



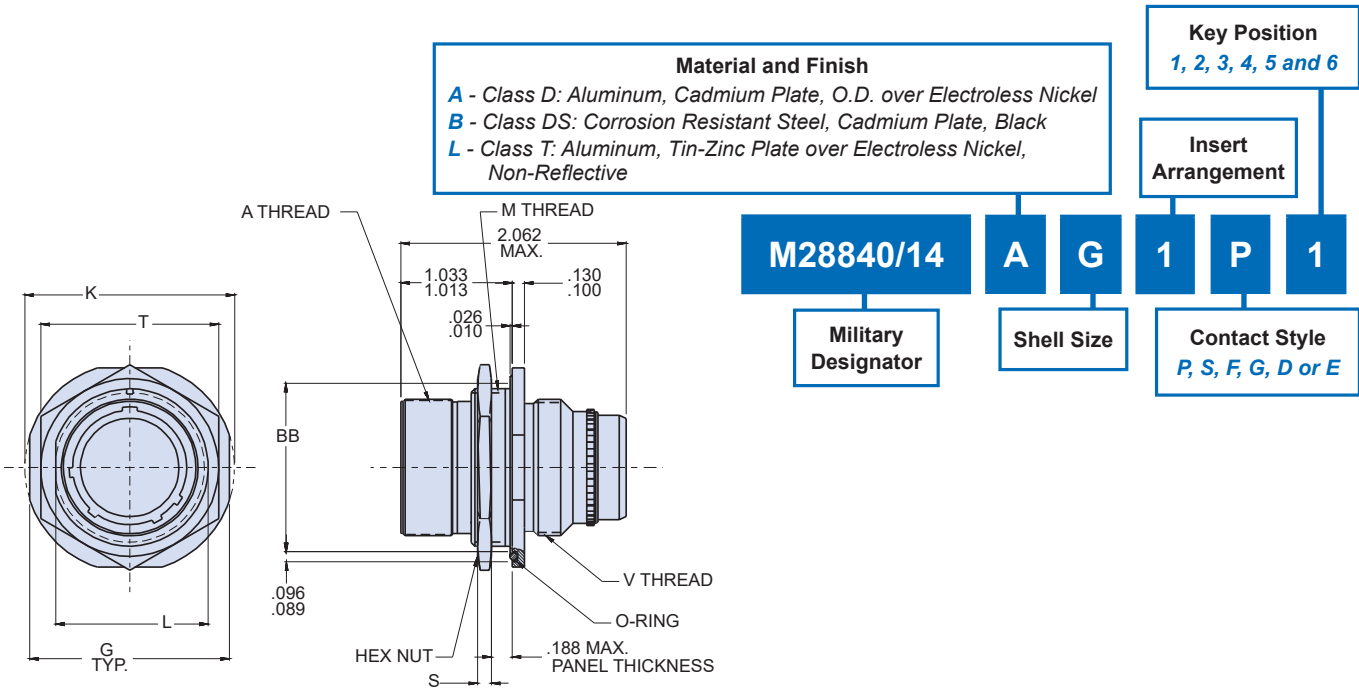
M28840/13 Receptacle Cover

Designator	E Thread Class 2A	F Max. Diameter	H ± .010 (± .25)	J Dia ± .005 (± .13)	G ± .005 (± .13)
A (11)	.750-.1P-.2L-D.S.	1.028 (26.21)	.890 (22.61)	.130 (3.30)	.765 (19.43)
B (13)	.875-.1P-.2L-D.S.	1.141 (23.98)	1.015 (25.78)		.890 (22.61)
C (15)	1.062-.1P-.2L-D.S.	1.263 (32.08)	1.203 (30.56)		1.015 (25.78)
D (17)	1.125-.1P-.2L-D.S.	1.387 (35.23)	1.265 (32.13)		1.140 (28.96)
E (19)	1.312-.1P-.2L-D.S.	1.513 (38.43)	1.453 (36.91)		1.265 (32.13)
F (23)	1.500-.1P-.2L-D.S.	1.703 (43.51)	1.640 (41.66)		1.453 (36.91)
G (25)	1.625-.1P-.2L-D.S.	1.825 (46.35)	1.765 (44.83)	.156 (3.96)	1.577 (40.06)
H (29)	1.812-.1P-.2L-D.S.	2.143 (54.43)	1.953 (49.61)		1.890 (48.01)
J (33)	2.000-.1P-.2L-D.S.	2.329 (59.16)	2.140 (54.36)		.193 (4.90)

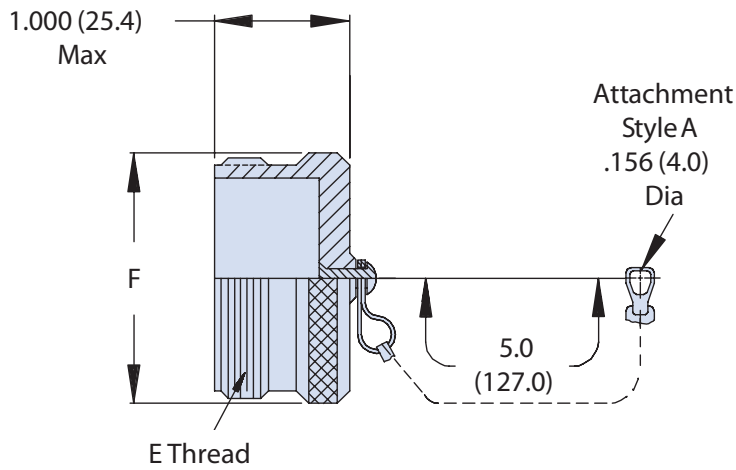
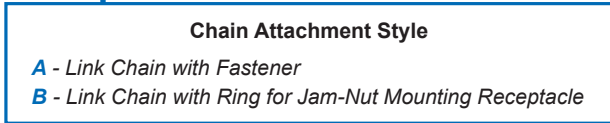
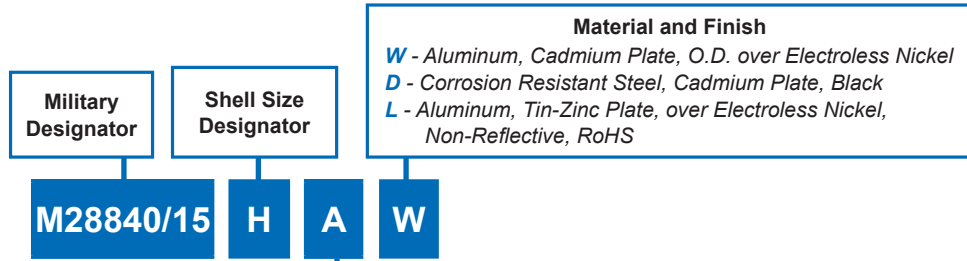
M28840/14 Jam Nut Mount Receptacle Connector



MIL-DTL
28840



Designator	BB	G	K	L Across Flat	M Thread Class 2A	N Max.	P	R Max.	S Hex Nut Thickness	T ±.017 (0.43)
A (11)	.979 (24.87) .969 (24.61)	1.274 (32.36) 1.254 (31.85)	1.368 (34.75) 1.348 (34.24)	.841 (21.36) .832 (21.13)	7/8-20 UNEF	.750 (19.05)	.890 (22.61) .880 (22.35)	.875 (22.22)	.125 (3.17)	1.062 (26.97)
B (13)	1.104 (28.04) 1.094 (27.79)	1.399 (35.53) 1.379 (35.03)	1.508 (38.30) 1.488 (37.80)	.966 (24.54) .957 (24.31)	1-20 UNEF	.875 (22.22)	1.015 (24.78) 1.005 (25.53)	1.000 (25.40)		1.188 (30.18)
C (15)	1.292 (32.82) 1.282 (32.56)	1.587 (40.31) 1.567 (39.80)	1.681 (42.70) 1.661 (42.19)	1.156 (29.29) 1.144 (29.06)	1 3/16-18 UNEF	1.062 (26.97)	1.203 (30.56) 1.193 (30.30)	1.188 (30.18)		1.375 (34.93)
D (17)	1.354 (34.39) 1.344 (34.14)	1.649 (41.88) 1.629 (41.38)	1.743 (44.27) 1.723 (43.76)	1.216 (30.89) 1.207 (30.66)	1 1/4-18 UNEF	1.125 (28.58)	1.265 (32.13) 1.255 (31.88)	1.250 (31.75)		1.438 (36.53)
E (19)	1.542 (39.17) 1.532 (38.91)	1.837 (46.66) 1.817 (46.15)	1.931 (49.05) 1.911 (48.54)	1.403 (35.64) 1.394 (35.41)	1 7/16-18 UNEF	1.312 (33.32)	1.453 (36.91) 1.443 (36.65)	1.438 (36.52)		1.625 (41.28)
F (23)	1.729 (43.92) 1.718 (43.66)	2.024 (51.41) 2.004 (50.90)	2.118 (53.80) 2.098 (53.29)	1.591 (40.41) 1.582 (40.18)	1 5/8-18 UNEF	1.500 (38.10)	1.640 (41.66) 1.630 (41.40)	1.625 (41.28)		1.812 (46.02)
G (25)	1.854 (47.09) 1.844 (46.84)	2.149 (54.58) 2.129 (54.08)	2.243 (56.97) 2.223 (56.46)	1.716 (43.59) 1.707 (43.36)	1 3/4-18 UNS	1.625 (41.28)	1.765 (44.83) 1.755 (44.58)	1.750 (44.45)		.189 (4.8)
H (29)	2.042 (51.87) 2.032 (51.61)	2.337 (59.36) 2.317 (58.85)	2.435 (61.85) 2.415 (61.34)	1.903 (46.34) 1.894 (48.11)	1 15/16-16 UN	1.812 (46.02)	1.953 (49.61) 1.943 (49.35)	1.938 (49.22)	2.188 (55.58)	
J (33)	2.229 (56.62)	2.524 (64.11)	2.618 (66.50)	2.091 (53.11)	2 1/8-16 UN	2.000	2.140 (54.36)	2.125	2.375	
	2.219 (56.36)	2.504 (63.60)	2.598 (65.99)	2.082 (52.88)		(50.80)	2.130 (54.10)	(53.98)	(69.85)	



M28840/15 Plug Cover

Designator	E Thread Class 2B	F Max. Diameter
A (11)	.750-1P-.2L-DS	1.028 (26.21)
B (13)	.875-1P-.2L-DS	1.141 (28.98)
C (15)	1.062-1P-.2L-DS	1.263 (32.08)
D (17)	1.125-1P-.2L-DS	1.387 (35.23)
E (19)	1.312-1P-.2L-DS	1.108 (28.14)
F (23)	1.500-1P-.2L-DS	1.293 (32.84)
G (25)	1.625-1P-.2L-DS	1.454 (36.93)
H (29)	1.812-1P-.2L-DS	1.620 (41.15)
J (33)	2.000-1P-.2L-DS	1.812 (46.02)

M28840/16 Plug Connector



MIL-DTL
28840

Military
Designator

Shell Size

Contact Style
P, S, F, G, D or E

M28840/16

A

G

1

P

1

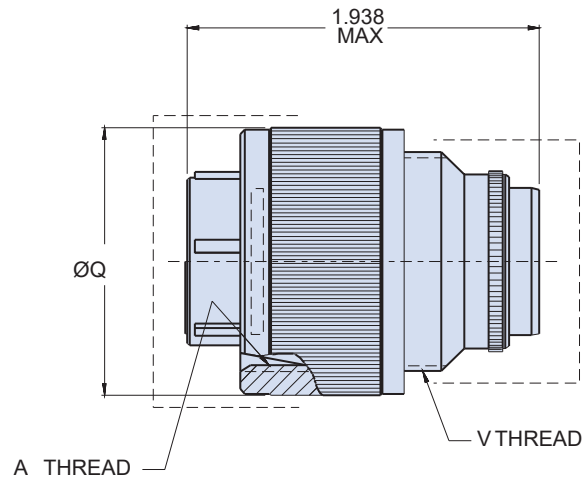
Material and Finish

A - Class D: Aluminum, Cadmium Plate, O.D. over Electroless Nickel
B - Class DS: Corrosion Resistant Steel, Cadmium Plate, Black
L - Class T: Aluminum, Tin-Zinc Plate over Electroless Nickel, Non-Reflective

Insert
Arrangement

Key Position
1, 2, 3, 4, 5 and 6

B



Designator	A Thread Class 2B	V Thread Class 2A	Ø Q Max.
A (11)	.750-1P-.2L-DS	3/4-20 UNEF	1.028 (26.11)
B (13)	.875-1P-.2L-DS	7/8-20 UNEF	1.141 (28.98)
C (15)	1.062-1P-.2L-DS	1-20 UNEF	1.263 (32.08)
D (17)	1.125-1P-.2L-DS	1 1/8-18 UNEF	1.387 (35.23)
E (19)	1.312-1P-.2L-DS	1 1/4-18 UNEF	1.513 (38.43)
F (23)	1.500-1P-.2L-DS	1 7/16-18 UNEF	1.703 (43.26)
G (25)	1.625-1P-.2L-DS	1 9/16-18 UNEF	1.825 (46.36)
H (29)	1.812-1P-.2L-DS	1 7/8-16 UN	2.143 (54.43)
J (33)	2.000-1P-.2L-DS	2 1/16-16 UNS	2.329 (59.16)

M28840/17 Plug Connector with Straight Strain Relief

B

Military Designator

Shell Size

Contact Style
P, S, F, G, D or E

M28840/17

A

G

1

P

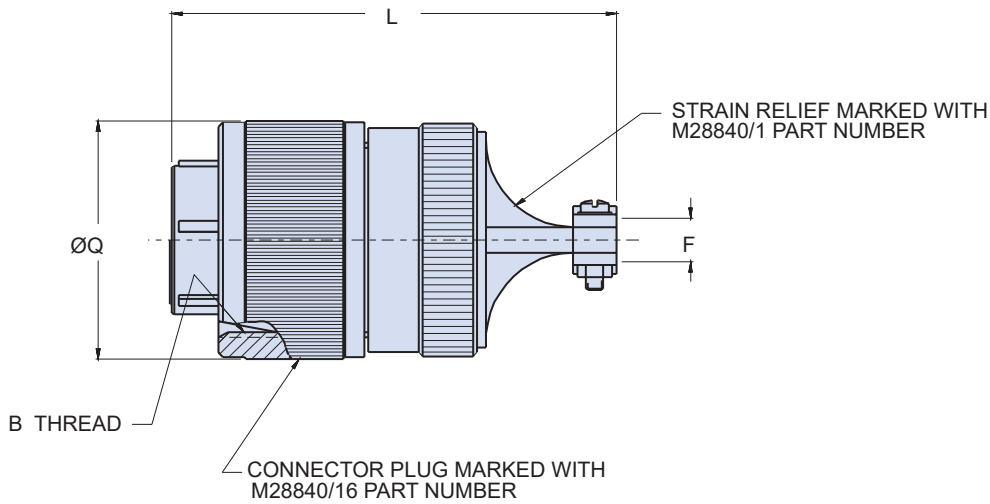
1

Material and Finish

- A - Class D: Aluminum, Cadmium Plate, O.D. over Electroless Nickel
- B - Class DS: Corrosion Resistant Steel, Cadmium Plate, Black
- L - Class T: Aluminum, Tin-Zinc Plate over Electroless Nickel, Non-Reflective

Insert Arrangement

Key Position
1, 2, 3, 4, 5 and 6

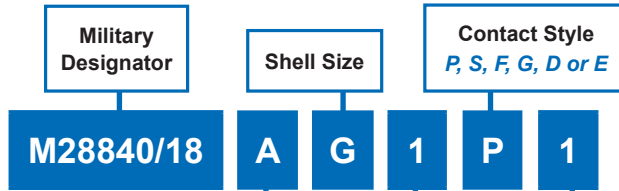


Designator	B Thread Class 2B	F Cable Entry		L Max.	Q Max.	Max. O.D. Over Rear Clamps
		Open	Closed			
A (11)	.750-1P-.2L-DS	.286	.177	2.438	1.028	.832
B (13)	.875-1P-.2L-DS	.286			1.141	
C (15)	1.062-1P-.2L-DS	.416	.250		1.263	.989
D (17)	1.125-1P-.2L-DS	.476	.291	2.688	1.387	1.094
E (19)	1.312-1P-.2L-DS	.626	.348	2.812	1.513	1.319
F (23)	1.500-1P-.2L-DS	.831	.429	2.938	1.703	1.557
G (25)	1.625-1P-.2L-DS	.956	.523	3.062	1.825	1.653
H (29)	1.812-1P-.2L-DS	1.081	.643	3.188	2.143	1.819
J (33)	2.000-1P-.2L-DS	1.187	.704	3.375	2.329	2.020

M28840/18 Plug Connector with 90° Strain Relief



MIL-DTL
28840



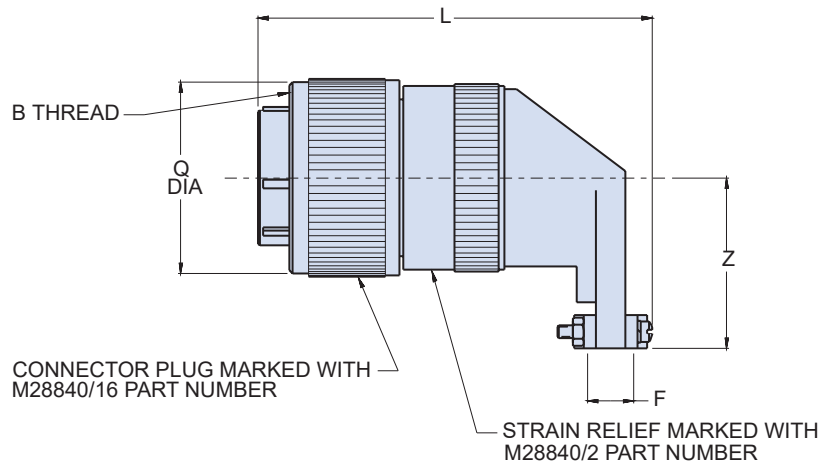
Material and Finish

A - Class D: Aluminum, Cadmium Plate, O.D. over Electroless Nickel
B - Class DS: Corrosion Resistant Steel, Cadmium Plate, Black
L - Class T: Aluminum, Tin-Zinc Plate over Electroless Nickel, Non-Reflective

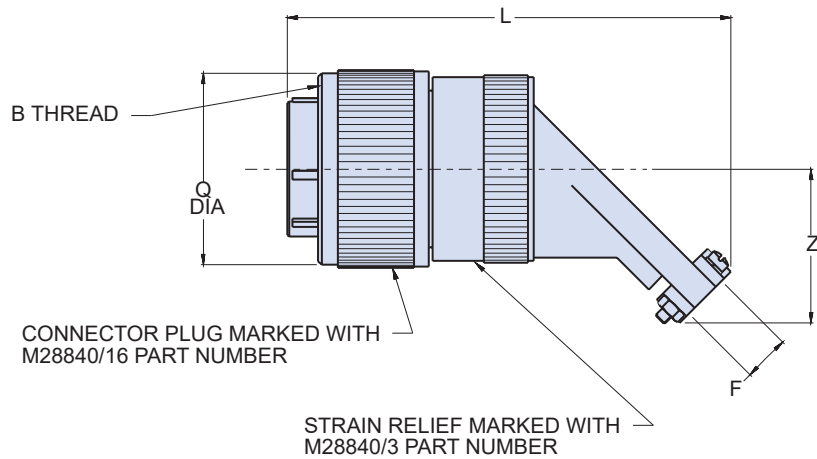
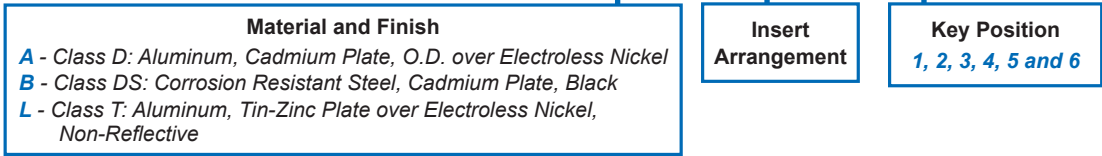
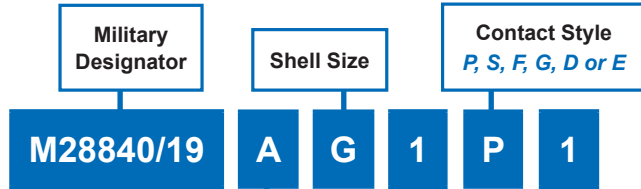
Insert Arrangement

Key Position
1, 2, 3, 4, 5 and 6

B



Designator	B Thread Class 2B	F Cable Entry		L Max.	Q Max.	Z Max.	Max. O.D. Over Rear Clamps
		Open	Closed				
A (11)	.750-1P-.2L-DS	.286	.177	2.562	1.028	.929	.832
B (13)	.875-1P-.2L-DS	.286		2.562	1.141	.929	
C (15)	1.062-1P-.2L-DS	.416	.250	2.750	1.263	1.056	.989
D (17)	1.125-1P-.2L-DS	.476	.291	2.875	1.387	1.233	1.094
E (19)	1.312-1P-.2L-DS	.626	.348	3.000	1.513	1.296	1.319
F (23)	1.500-1P-.2L-DS	.831	.429	3.125	1.703	1.358	1.557
G (25)	1.625-1P-.2L-DS	.956	.523	3.250	1.825	1.420	1.653
H (29)	1.812-1P-.2L-DS	1.081	.643	3.375	2.143	1.634	1.819
J (33)	2.000-1P-.2L-DS	1.187	.704	3.438	2.329	1.859	2.020

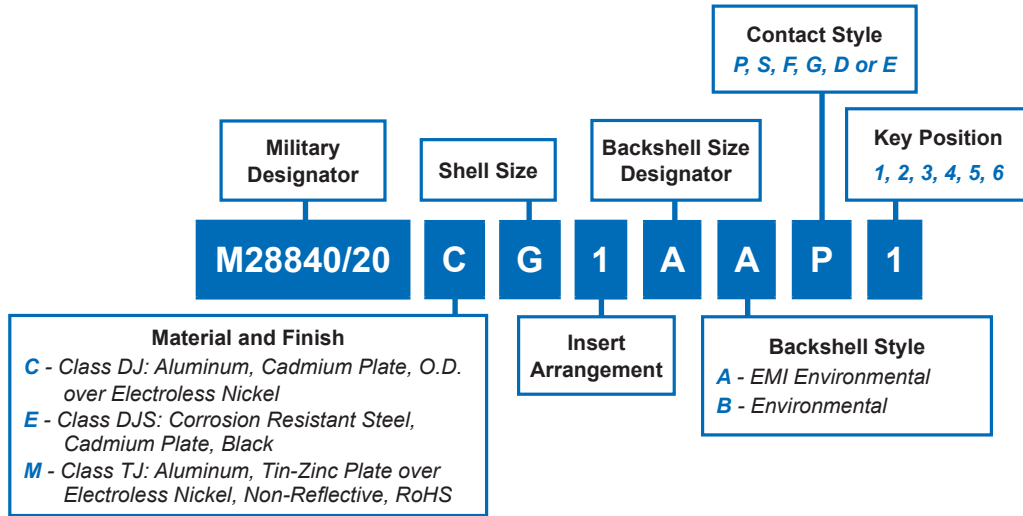


Designator	B Thread Class 2B	F Cable Entry		L Max.	Q Max.	Z Max.	Max. O.D. Over Rear Clamps
		Open	Closed				
A (11)	.750-1P-.2L-DS	.286	.177	3.125	1.028	.928	.832
B (13)	.875-1P-.2L-DS	.286					
C (15)	1.062-1P-.2L-DS	.416	.250	3.250	1.263	.991	.989
D (17)	1.125-1P-.2L-DS	.476	.291	3.312	1.387	1.110	1.094
E (19)	1.312-1P-.2L-DS	.626	.348	3.375	1.513	1.172	1.319
F (23)	1.500-1P-.2L-DS	.831	.429	3.438	1.703	1.235	1.557
G (25)	1.625-1P-.2L-DS	.956	.523	3.500	1.825	1.297	1.653
H (29)	1.812-1P-.2L-DS	1.081	.643	3.750	2.143	1.543	1.819
J (33)	2.000-1P-.2L-DS	1.187	.704	3.875	2.329	1.668	2.020

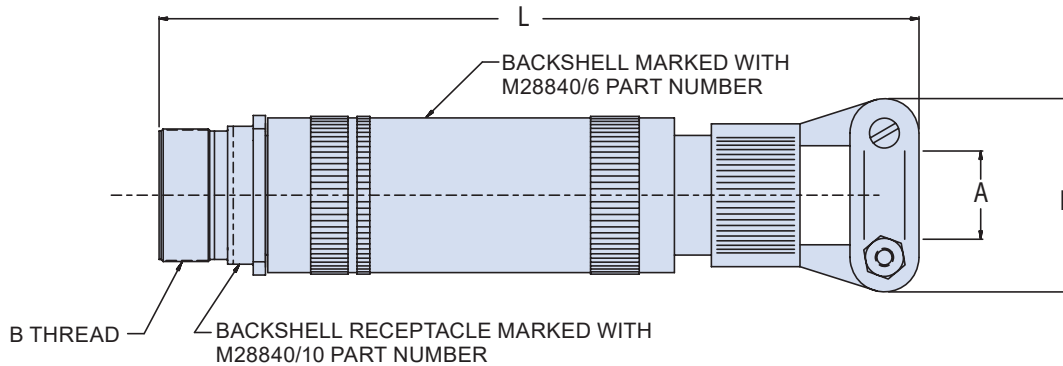
M28840/20 Receptacle Connector with Straight EMI/RFI Backshell



MIL-DTL
28840



B



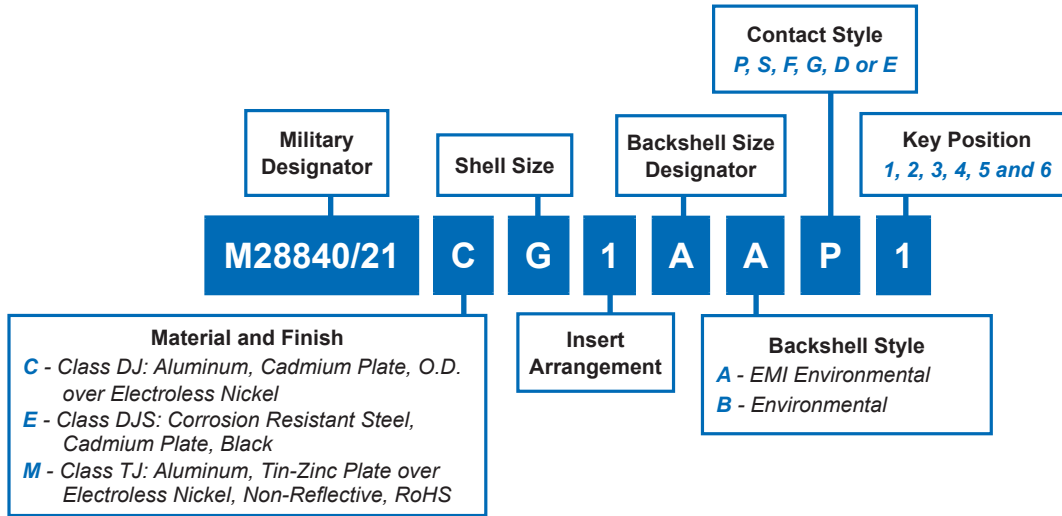
M28840/20 Receptacle Connector with Straight EMI/RFI Backshell

Military Shell Size	Shell Size	Backshell Size Designator	A Cable Entry		B Thread Class 2B	E Max.	L Max.
			Open	Closed			
A	11	A	.312	.188	.750-1P-.2L-DS	.938	6.625
A	11	B	.438	.281		1.125	6.625
A	11	C	.562	.344		1.312	6.625
B	13	A	.312	.188	.875-1P-.2L-DS	.938	6.625
B	13	B	.438	.281		1.125	6.625
B	13	C	.562	.344		1.312	6.625
B	13	D	.652	.375		1.312	7.125
C	15	A	.438	.281	1.062-1P-.2L-DS	1.125	6.625
C	15	B	.562	.344		1.312	6.625
C	15	C	.625	.375		1.312	7.125
C	15	D	.750	.438		1.593	7.188
C	15	E	.312	.188		.938	6.625
D	17	A	.625	.375	1.125-1P-.2L-DS	1.312	7.125
D	17	B	.750	.438		1.593	7.188
D	17	C	.938	.625		1.750	7.188
E	19	A	.625	.375	1.312-1P-.2L-DS	1.312	7.125
E	19	B	.938	.625		1.750	7.250
F	23	A	.750	.438	1.500-1P-.2L-DS	1.593	7.688
F	23	B	.938	.625		1.750	7.812
F	23	C	1.188	.812		2.093	7.938
G	25	A	.938	.625	1.625-1P-.2L-DS	1.750	7.750
G	25	B	1.188	.812		2.093	8.438
G	25	C	1.250	.875		2.093	8.438
G	25	D	1.380	1.000		2.343	8.500
H	29	A	1.188	.812	1.812-1P-.2L-DS	2.093	8.438
H	29	B	1.380	1.000		2.343	8.500
J	33	A	1.380	1.000	2.000-1P-.2L-DS	2.343	8.500
J	33	B	1.625	1.250		2.750	8.750

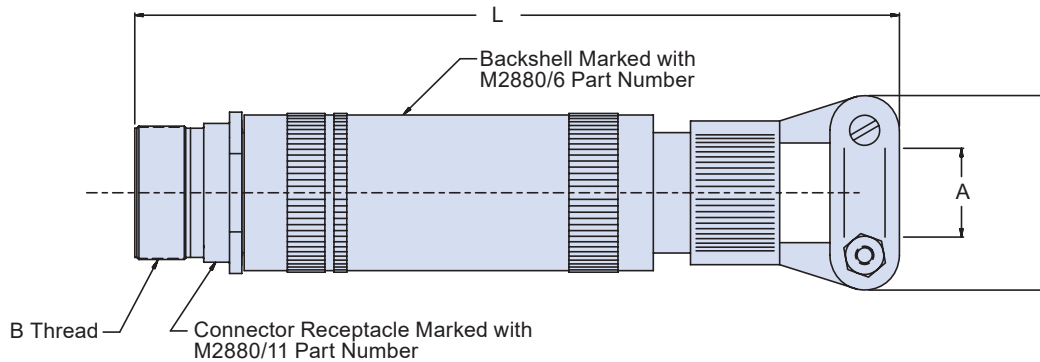
M28840/21 In-Line Receptacle Connector with Straight EMI/RFI Backshell



MIL-DTL
28840



B



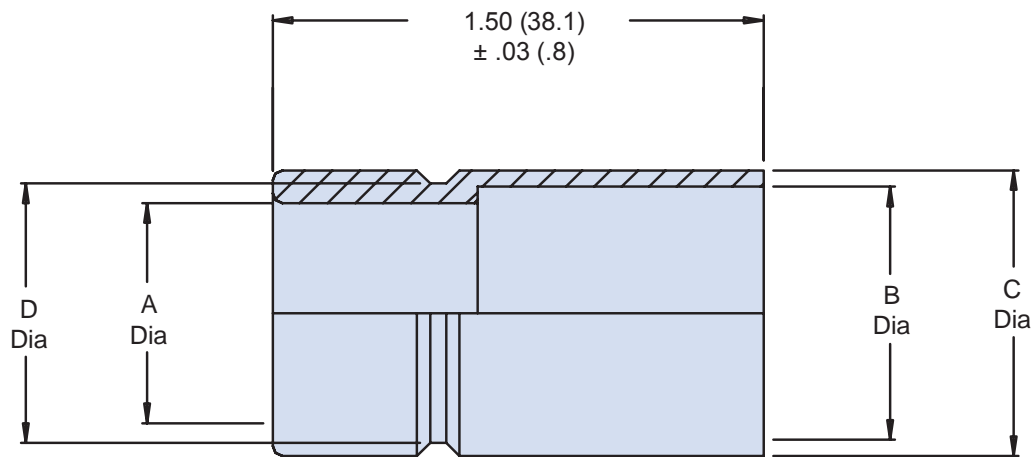
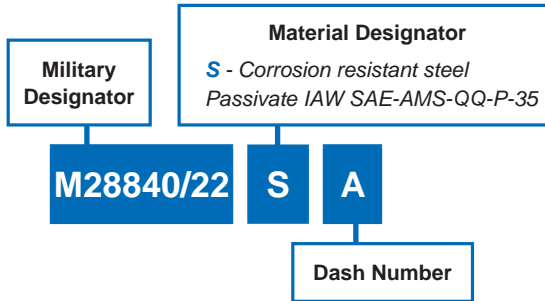
M28840/21 In-Line Receptacle Connector with Straight EMI/RFI Backshell

Military Shell Size	Shell Size	Backshell Size Designator	A Cable Entry		B Thread Class 2B	E Max.	L Max.
			Open	Closed			
A	11	A	.312	.188	.750-1P-.2L-DS	.938	6.625
A	11	B	.438	.281		1.125	6.625
A	11	C	.562	.344		1.312	6.625
B	13	A	.312	.188	.875-1P-.2L-DS	.938	6.625
B	13	B	.438	.281		1.125	6.625
B	13	C	.562	.344		1.312	6.625
B	13	D	.652	.375		1.312	7.125
C	15	A	.438	.281	1.062-1P-.2L-DS	1.125	6.625
C	15	B	.562	.344		1.312	6.625
C	15	C	.625	.375		1.312	7.125
C	15	D	.750	.438		1.593	7.188
C	15	E	.312	.188		.938	6.625
D	17	A	.625	.375	1.125-1P-.2L-DS	1.312	7.125
D	17	B	.750	.438		1.593	7.188
D	17	C	.938	.625		1.750	7.188
E	19	A	.625	.375	1.312-1P-.2L-DS	1.312	7.125
E	19	B	.938	.625		1.750	7.250
F	23	A	.750	.438	1.500-1P-.2L-DS	1.593	7.688
F	23	B	.938	.625		1.750	7.812
F	23	C	1.188	.812		2.093	7.938
G	25	A	.938	.625	1.625-1P-.2L-DS	1.750	7.750
G	25	B	1.188	.812		2.093	8.438
G	25	C	1.250	.875		2.093	8.438
G	25	D	1.380	1.000		2.343	8.500
H	29	A	1.188	.812	1.812-1P-.2L-DS	2.093	8.438
H	29	B	1.380	1.000		2.343	8.500
J	33	A	1.380	1.000	2.000-1P-.2L-DS	2.343	8.500
J	33	B	1.625	1.250		2.750	8.750

M28840/22 Metal Conduit Bushing

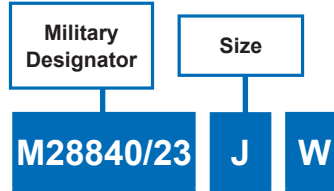


MIL-DTL
28840

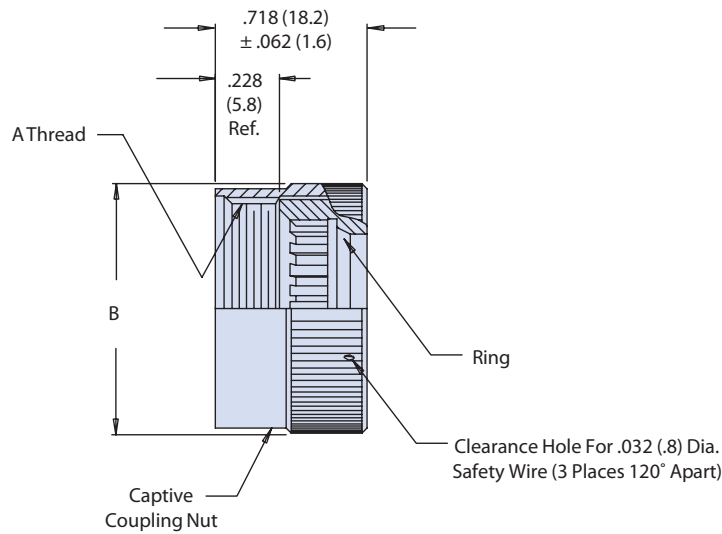


Size	MIL- DTL-28840/04 Size Ref.	A +.020 (.50) -.000 (.000)	B +.005 (.12) -.000 (.000)	C +.000 (.000) -.005 (.12)	D +.000 (.000) -.005 (.12)
03	03	.375 (9.53)	.540 (13.71)	.625 (15.87)	.525 (13.34)
04	04	.500 (12.70)	.665 (16.89)	.750 (19.05)	.650 (16.51)
05	05	.625 (15.87)	.780 (19.81)	.875 (22.23)	.775 (19.69)
06	06	.750 (19.05)	.940 (23.88)	1.000 (25.40)	.900 (22.86)
08	08	1.000 (25.40)	1.225 (31.12)	1.375 (34.93)	1.275 (32.39)
10	10	1.250 (31.75)	1.470 (37.34)	1.625 (41.28)	1.525 (38.74)
12	12	1.500 (38.10)	1.740 (44.20)	1.875 (47.65)	1.775 (45.09)
16	16	2.000 (50.80)	2.215 (56.26)	2.375 (60.33)	2.275 (57.79)

B



Material and Finish
W - Aluminum, Cadmium Plate, O.D. over Electroless Nickel
D - Corrosion Resistant Steel, Cadmium Plate, Black
L - Aluminum, Tin-Zinc Plate, over Electroless Nickel, Non-Reflective, RoHS

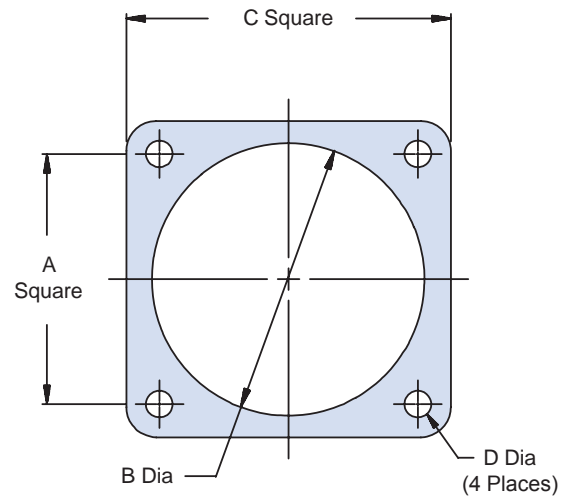
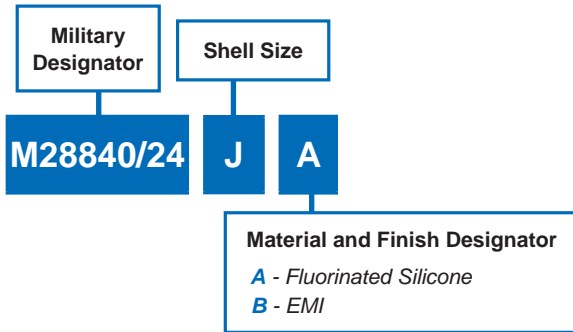


Designator	A Thread Class 2B	B Max. Diameter
A (11)	.750-20 UNEF	1.028 (26.11)
B (13)	.875-20 UNEF	1.14 (26.11)
C (15)	1.000-20 UNEF	2.263 (32.08)
D (17)	1.125-18 UNEF	1.387 (35.23)
E (19)	1.250-18 UNEF	1.513 (38.43)
F (23)	1.438-18 UNEF	1.703 (43.51)
G (25)	1.562-18 UNEF	1.825 (46.35)
H (29)	1.876-16 UN	2.143 (54.43)
J (33)	2.062-16 UNS	2.329 (59.16)

M28840/24 Mounting Gasket

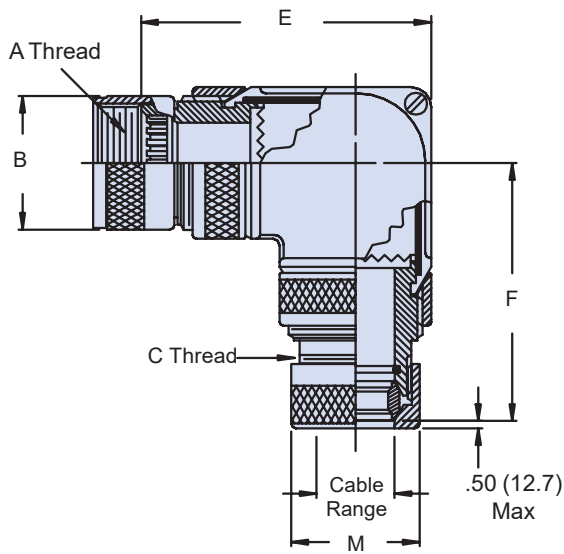
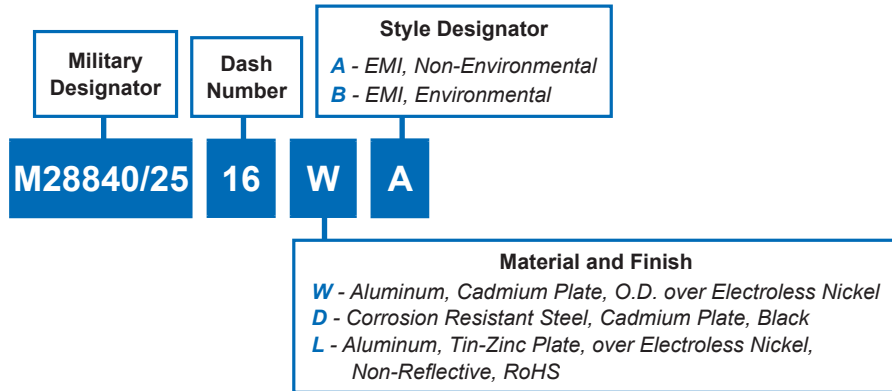


MIL-DTL
28840

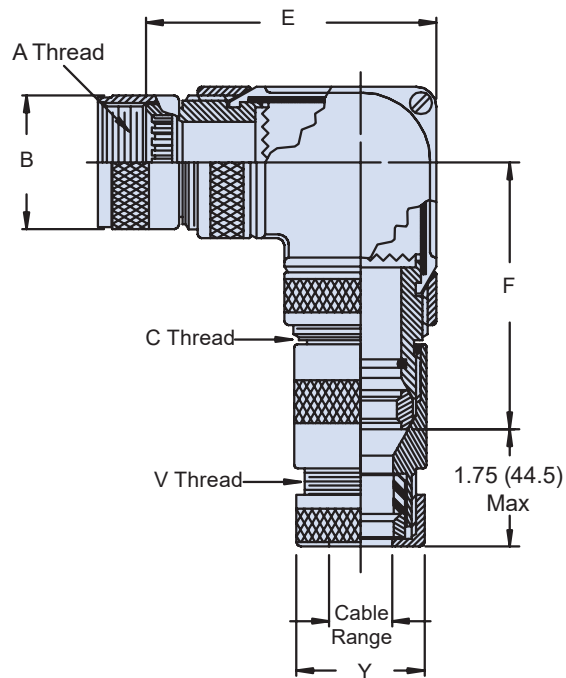


Designator	A	B Dia.	C	D Dia.
A (11)	.760 (19.30)	.766 (19.46)	1.039 (26.39)	.130 (3.30) .110 (2.79)
	.740 (18.80)	.750 (19.05)	1.023 (25.98)	
B (13)	.853 (21.67)	.891 (22.63)	1.154 (29.31)	
	.833 (21.16)	.875 (22.22)	1.138 (28.90)	
C (15)	.978 (24.84)	1.078 (27.38)	1.274 (32.36)	
	.958 (24.33)	1.062 (26.97)	1.258 (31.95)	
D (17)	1.025 (26.04)	1.141 (28.98)	1.399 (26.39)	
	1.005 (25.53)	1.125 (28.58)	1.383 (35.13)	
E (19)	1.150 (29.21)	1.338 (33.98)	1.524 (38.71)	
	1.130 (28.70)	1.312 (33.32)	1.508 (38.30)	
F (23)	1.291 (32.79)	1.516 (38.51)	1.734 (44.04)	
	1.271 (32.28)	1.500 (38.10)	1.718 (43.64)	
G (25)	1.402 (35.61)	1.641 (41.68)	1.834 (46.58)	.157 (3.99) .137 (3.48)
	1.382 (35.10)	1.625 (41.28)	1.818 (46.18)	
H (29)	1.578 (40.08)	1.891 (48.03)	2.154 (54.71)	
	1.558 (39.57)	1.875 (47.62)	2.138 (54.30)	
J (33)	1.744 (44.30)	2.078 (52.78)	2.344 (59.54)	
	1.724 (43.79)	2.062 (52.37)	2.328 (59.13)	

B



STYLE A - EMI/Non-Environmental
(Plain Conduit)



STYLE B - EMI/Environmental
(Jacket Conduit)

M28840/25 90° EMI Conduit Adapter



MIL-DTL
28840

B

Dash Number	Designator	A Thread Class 2B	B Diameter Max.	C Thread Class 1	D Max Diameter	Sealing Range	
						Max.	Min.
01	A (11)	.750-20 UNEF	1.028 (26.11)	.875-20 UNEF	1.031 (26.19)	.63 (16.0)	.50 (12.7)
02	B (13)	.875-20 UNEF	1.141 (28.98)	.875-20 UNEF		.63 (16.0)	.50 (12.7)
03				1.000-20 UNEF		.75 (19.1)	.63 (16.0)
04	C (15)	1.000-20 UNEF	1.263 (32.08)	.875-20 UNEF	1.281 (32.58)	.63 (16.0)	.50 (12.7)
05				1.000-20 UNEF		.75 (19.1)	.63 (16.0)
06				1.125-18 UNEF		.88 (22.4)	.75 (19.1)
07				1.250-18 UNEF	1.531 (38.89)	1.00 (25.4)	.88 (22.4)
08	D (17)	1.125-18 UNEF	.88 (22.4)	.75 (19.1)			
09		1.250-18 UNEF	1.00 (25.4)	.88 (22.4)			
10		1.625-18 UNEF	1.38 (35.1)	1.19 (30.2)			
11	E (19)	1.250-18 UNEF	1.513 (38.43)	1.125-18 UNEF	1.781 (45.24)	.88 (22.4)	.75 (19.1)
12				1.250-18 UNEF		1.00 (25.4)	.88 (22.4)
13				1.625-18 UNEF		1.38 (35.1)	1.19 (30.2)
14				F (23)	1.438-18 UNEF	1.703 (45.51)	1.250-18 UNEF
15	1.625-18 UNEF	1.38 (35.1)	1.18 (30.2)				
16	1.875-18 UNS	1.63 (41.4)	1.44 (36.6)				
17	G (25)	1.562-18 UNEF	1.825 (46.35)	1.250-18 UNEF	2.031 (51.59)	1.00 (25.4)	.88 (22.4)
18				1.625-18 UNEF		1.38 (35.1)	1.19 (30.2)
19				1.875-18 UNS		1.63 (41.4)	1.44 (36.5)
20				2.125-16 UN	2.531 (64.29)	1.88 (47.8)	1.63 (41.4)
21	H (29)	1.875-18 UNS	1.63 (41.4)	1.44 (36.6)			
22		2.125-16 UN	1.33 (47.8)	1.63 (41.4)			
23	J (33)	2.062-16 UNS	2.329 (59.16)	2.125-16 UN	2.531 (64.29)	1.88 (47.8)	1.63 (41.4)
24				2.750-16 UN		2.38 (60.5)	2.13 (54.1)
25	A (11)	.750-20 UNEF	1.028 (26.11)	.875-20 UNEF	1.031 (25.19)	.75 (19.5)	.63 (16.0)

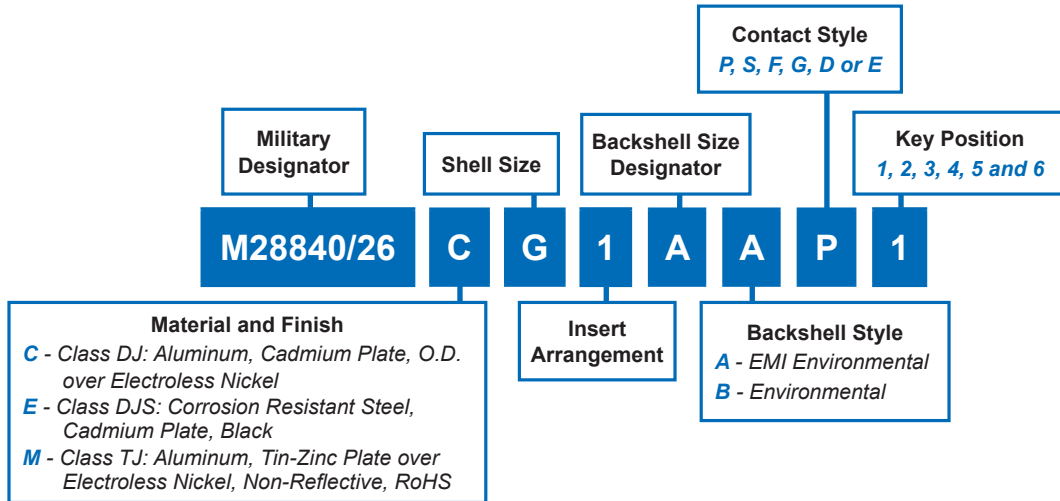
B

Dash Number	Designator	Conduit Size M 04	E Max. Dim.	F Max. Dim.	V Thread Class 2	M Max. Dia.	Y Max. Dia.
01	A (11)	03	2.36 (59.9)	3.50 (92.8)	1.000-20 UNEF	1.12 (28.5)	1.19 (30.23)
02	B (13)	03			1.000-20 UNEF	1.12 (28.5)	1.19 (30.23)
03		04			1.188-18 UNEF	1.25 (31.8)	1.38 (35.1)
04	C (15)	03	2.56 (65.0)	3.69 (9.79)	1.000-20 UNEF	1.12 (28.5)	1.39 (35.3)
05		04			1.118-18 UNEF	1.25 (31.8)	1.38 (35.1)
06		05			1.438-18 UNEF	1.43 (36.3)	1.63 (41.4)
07	D (17)	06	2.67 (67.8)	3.81 (101.0)	1.750-18 UNS	1.62 (41.2)	1.94 (49.3)
08		05			1.438-18 UNEF	1.43 (36.3)	1.63 (41.4)
09		06			1.750-18 UNS	1.62 (42.2)	1.94 (49.3)
10		08			2.00-18 UNS	1.81 (46.0)	2.19 (55.6)
11	E (19)	05	3.05 (77.5)	4.19 (111.1)	1.438-18 UNEF	1.43 (36.3)	1.63 (41.4)
12		06			1.750-18 UNS	1.62 (41.2)	1.94 (49.3)
13		08			2.00-18 UNS	1.81 (46.0)	2.19 (55.6)
14	F (23)	06	3.33 (84.6)	4.50 (119.4)	1.750-18 UNS	1.62 (41.2)	1.94 (49.3)
15		08			2.00-18 UNS	1.81 (46.0)	2.19 (55.6)
16		10			2.250-18 UN	2.18 (55.4)	2.44 (62.0)
17	G (25)	06	3.70 (94.0)	4.43 (128.1)	1.750-18 UNS	1.62 (41.2)	1.94 (49.3)
18		08			2.00-18 UN	1.81 (46.0)	2.19 (55.6)
19		10			2.250-18 UN	2.18 (55.4)	2.44 (62.0)
20	H (29)	12	3.70 (94.0)	4.43 (128.1)	2.500-16 UN	2.56 (65.0)	2.69 (68.5)
21		10			2.250-16 UN	2.18 (55.4)	2.18 (55.4)
22		12			1.500-16 UN	2.56 (65.0)	2.44 (62.0)
23	J (33)	12	3.70 (94.0)	4.43 (128.1)	2.500-16 UN	2.56 (65.0)	2.69 (68.3)
24		16			3.00-16 UN	3.06 (77.8)	3.19 (81.0)
25	A (11)	04	2.36 (59.9)	3.50 (92.8)	1.133-18 UNF	1.25 (31.8)	1.38 (35.1)

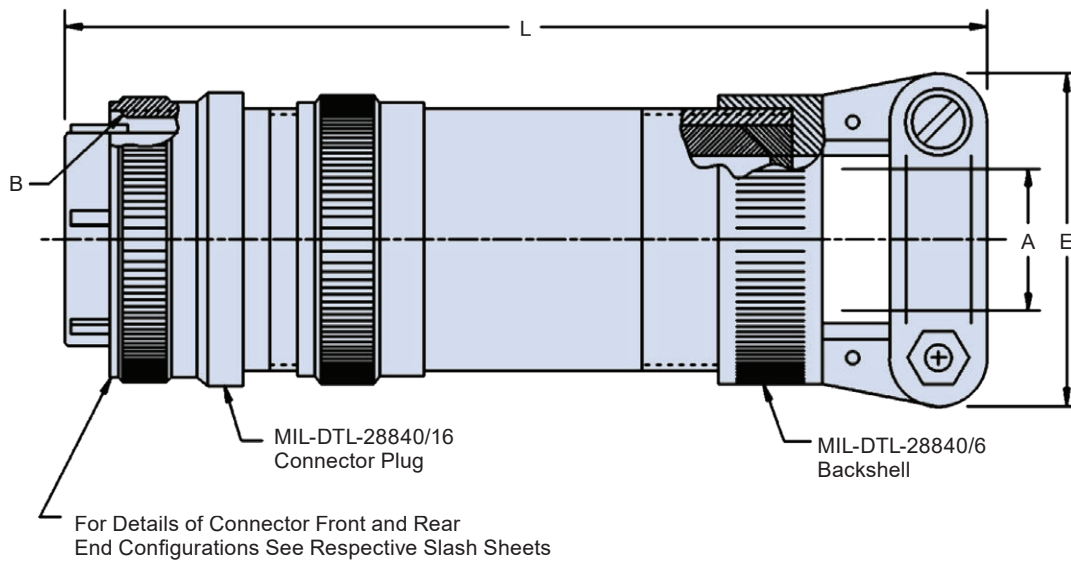
M28840/26 Plug Connector with Straight EMI/RFI Backshell



MIL-DTL
28840



B



M28840/26 Plug Connector with Straight EMI/RFI Backshell

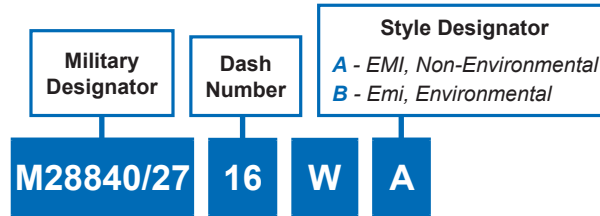
Military Shell Size	Shell Size	B Thread Class 2B	Backshell Size Designator	A Cable Entry		E Max.	L Max.
				Open	Closed		
A	11	.750-1P-.2L-DS	A	.312	.188	.938	6.500
			B	.438	.281	1.125	
			C	.562	.344	1.312	
B	13	.875-1P-.2L-DS	A	.312	.188	.938	
			B	.438	.281	1.125	
			C	.562	.344	1.312	
C	15	1.062-1P-.2L-DS	D	.652	.375	1.312	7.000
			A	.438	.281	1.125	6.500
			B	.562	.344	1.312	
			C	.625	.375	1.312	
D	17	1.125-1P-.2L-DS	D	.750	.438	1.593	
			A	.625	.375	1.312	
			B	.750	.438	1.593	
E	19	1.312-1P-.2L-DS	C	.938	.625	1.750	7.500
			A	.625	.375	1.312	
			B	.938	.625	1.750	
F	23	1.500-1P-.2L-DS	A	.750	.438	1.593	7.812
			B	.938	.625	1.750	
			C	1.188	.812	2.093	
G	25	1.625-1P-.2L-DS	A	.938	.625	1.750	8.312
			B	1.188	.812	2.093	
			C	1.250	.875	2.093	
			D	1.380	1.000	2.343	
H	29	1.812-1P-.2L-DS	A	1.188	.812	2.093	
			B	1.380	1.000	2.343	
J	33	2.000-1P-.2L-DS	A	1.380	1.000	2.343	
			B	1.625	1.250	2.750	

B

M28840/27 45° EMI Conduit Adapter

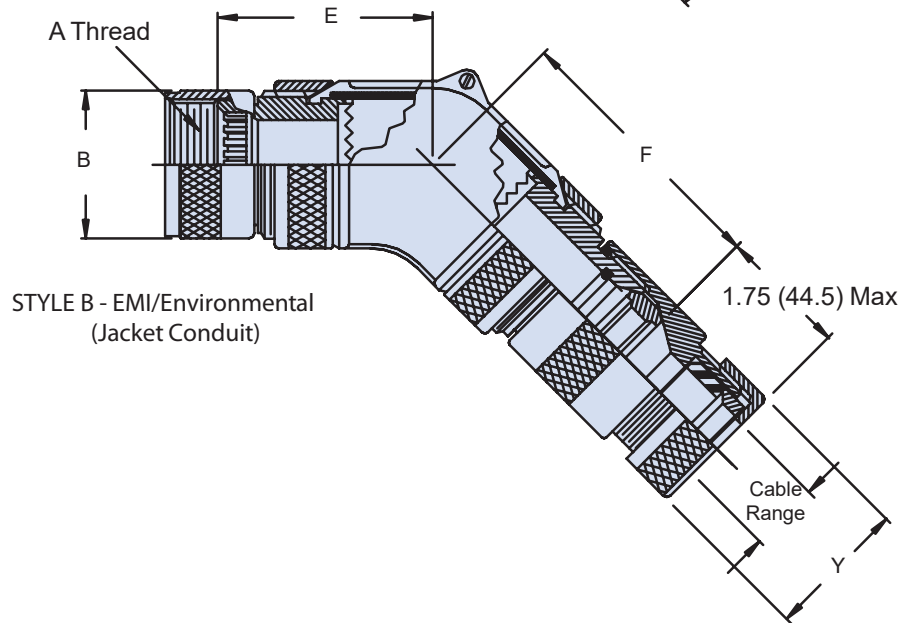
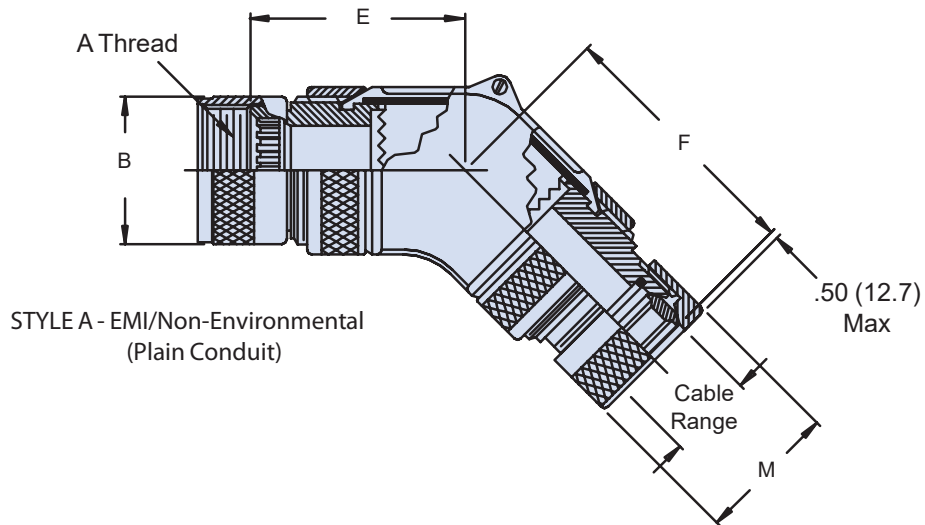


MIL-DTL
28840



Material and Finish
W - Aluminum, Cadmium Plate, O.D. over Electroless Nickel
D - Corrosion Resistant Steel, Cadmium Plate, Black
L - Aluminum, Tin-Zinc Plate, over Electroless Nickel, Non-Reflective, RoHS

B



B

Dash No.	Designator	A Thread Class 2B	B Max Diameter	C Thread Class 2	D Max. Diameter	Sealing Range		Conduit Size M 04	E Max. Dim.
						Max.	Min.		
01	A (11)	.750-20 UNEF	1.028 (26.11)	.875-20 UNEF	1.031 (26.19)	.63 (16.0)	.50 (12.7)	03	2.36 (59.9)
02	B (13)	.875-20 UNEF	1.141 (28.98)	.875-20 UNEF		.63 (16.0)	.50 (12.7)	03	
03			1.000-20 UNEF	.75 (19.1)		.63 (16.0)	04		
04	C (15)	1.000-20 UNEF	1.263 (32.08)	.875-20 UNEF	1.281 (32.50)	.63 (16.0)	.50 (12.7)	03	2.56 (65.0)
05				1.000-20 UNEF		.75 (19.1)	.63 (16.0)	04	
06				1.125-18 UNEF		.88 (22.4)	.75 (19.1)	05	
07				1.250-18 UNEF	1.00 (25.4)	.88 (22.4)	06		
08	D (17)	1.125-18 UNEF	1.387 (38.23)	1.125-18 UNEF	1.531 (38.80)	.88 (22.4)	.75 (19.1)	05	2.67 (67.8)
09				1.250-18 UNEF		1.00 (25.4)	.88 (22.4)	06	
10				1.625-18 UNEF		1.38 (35.1)	1.19 (22)	08	
11	E (19)	1.250-18 UNEF	1.513 (38.43)	1.125-18 UNEF		.88 (22.4)	.75 (19.1)	05	
12				1.250-18 UNEF		1.00 (25.4)	.88 (22.4)	06	
13				1.625-18 UNEF	1.38 (35.1)	1.19 (30.2)	08		
14	F (23)	1.438-18 UNEF	1.703 (45.51)	1.250-18 UNEF	1.781 (45.24)	1.000 (25.4)	.88 (22.4)	06	3.05 (77.5)
15				1.625-18 UNEF		1.38 (35.1)	1.19 (30.2)	08	
16				1.875-18 UNS		1.63 (41.4)	1.44 (36.6)	10	
17	G (25)	1.562-18 UNEF	1.825 (46.35)	1.250-18 UNEF		1.00 (25.4)	.88 (22.4)	06	
18				1.625-18 UNEF		1.38 (41.4)	1.19 (30.2)	08	
19				1.875-18 UNS	1.43 (41.4)	1.44 (36.6)	10		
20				2.125-16 UN	1.88 (47.8)	1.63 (41.4)	12		
21	H (29)	1.875-16 UNS	2.143 (54.43)	1.875-18 UNS	2.031 (51.59)	1.63 (41.4)	1.44 (36.6)	10	3.33 (84.6)
22				2.125-16 UN		1.88 (47.8)	1.63 (41.4)	12	
23	J (33)	2.062-16 UNS	2.329 (50.16)	2.125-16 UN	2.531 (64.29)	1.88 (47.8)	1.63 (41.4)	12	3.70 (94.0)
24				2.750-16 UN		2.38 (60.5)	2.13 (54.1)	16	
25	A (11)	.750-20 UNEF	1.028 (16.11)	.875-20 UNEF	1.031 (26.19)	.75 (19.1)	.63 (16.0)	04	2.36 (59.9)

M28840/27
45° EMI Conduit Adapter

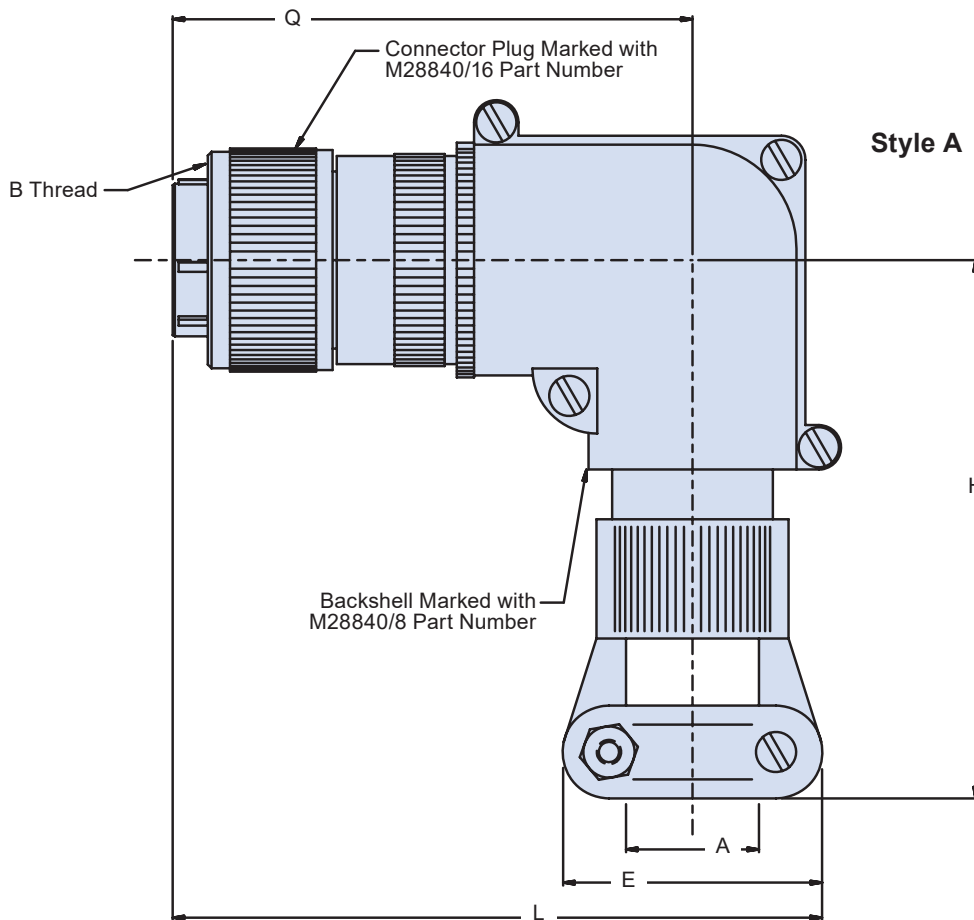
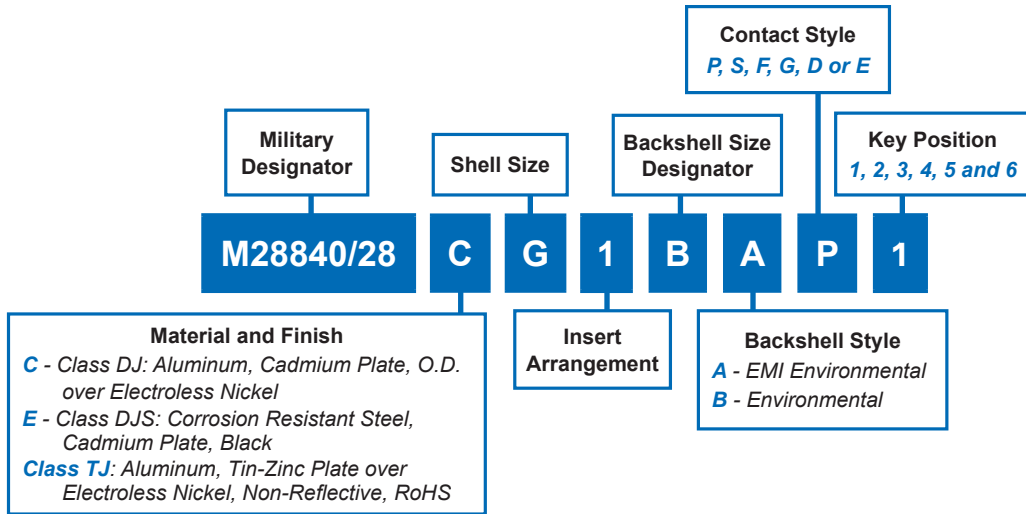


MIL-DTL
 28840

B

Dash Number	Designator	F Max. Dim.	V Thread Class 2	M Max. Diameter	Y Max. Diameter
1	A (11)	3.50 (88.9)	1.000-20 UNEF	1.12 (28.5)	1.19 (30.23)
2	B (13)		1.000-20 UNEF	1.12 (28.5)	1.19 (30.23)
3			1.188-18 UNEF	1.25 (31.8)	1.38 (35.1)
4	C (15)	3.69 (93.7)	1.000-20 UNEF	1.12 (28.5)	1.19 (30.23)
5			1.188-18 UNEF	1.25 (31.8)	1.38 (35.1)
6			1.438-18 UNEF	1.43 (36.3)	1.63 (41.4)
7	D (17)	3.81 (96.7)	1.750-18 UNS	1.62 (41.2)	1.94 (49.3)
8			1.438-18 UNEF	1.43 (36.3)	1.63 (41.4)
9			1.750-18 UNS	1.62 (41.2)	1.94 (49.3)
10			2.00-18 UNS	1.81 (46.0)	2.19 (55.6)
11	E (19)	4.19 (106.4)	1.438-18 UNEF	1.43 (36.3)	1.63 (41.4)
12			1.750-18 UNS	1.62 (41.2)	1.94 (49.3)
13			2.00-18 UNS	1.81 (46.0)	2.19 (55.6)
14	F (23)	4.19 (106.4)	1.750-18 UNS	1.62 (41.2)	1.94 (49.3)
15			2.00-18 UN	1.81 (46.0)	2.19 (55.6)
16			2.250-16 UN	2.18 (55.4)	2.44 (62.0)
17	G (25)	4.50 (114.3)	1.750-18 UNS	1.62 (41.2)	1.94 (49.3)
18			2.00-18 UN	1.81 (46.0)	2.19 (55.6)
19			2.250-16 UN	2.18 (55.4)	2.44 (62.0)
20	H (29)	4.50 (114.3)	2.500-16 UN	2.56 (65.0)	2.69 (68.3)
21			2.250-16 UN	2.18 (55.4)	2.44 (62.0)
22			2.500-16 UN	2.56 (65.0)	2.69 (68.3)
23	J (33)	4.83 (122.6)	2.500-16 UN	2.56 (65.0)	2.69 (68.3)
24			3.00-16 UN	3.06 (77.8)	3.19 (81.0)
25	A (11)	3.50 (88.9)	1.188-18 UNEF	1.25 (31.8)	1.38 (35.1)

B



M28840/28 90° Adapter Assembly Plug



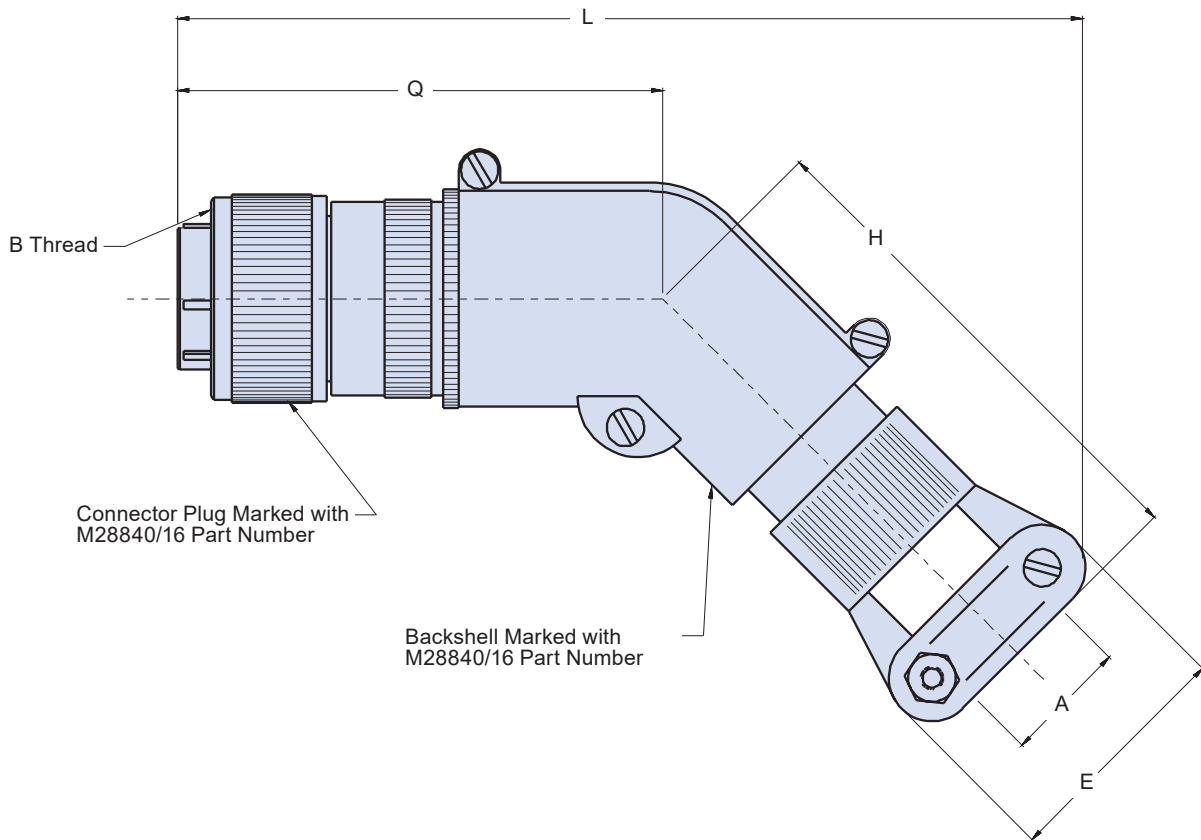
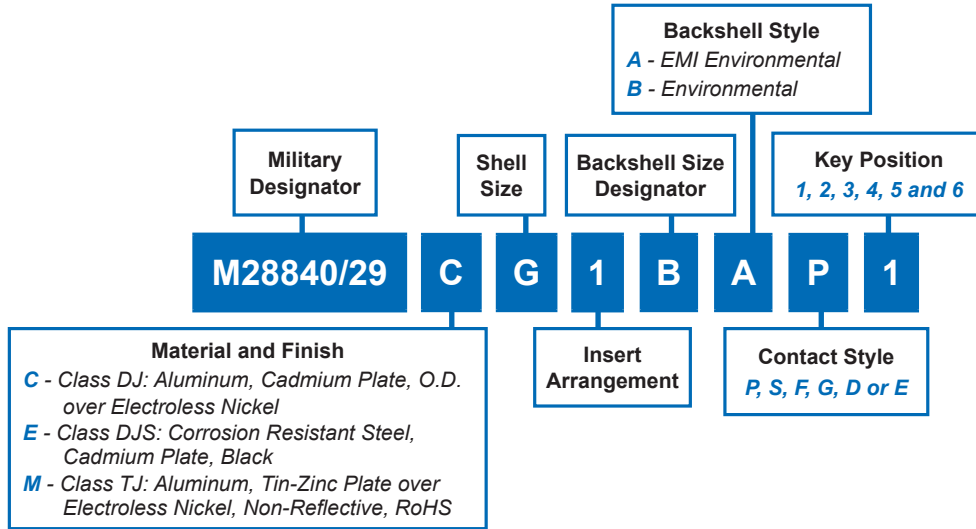
MIL-DTL
28840

B

Military Shell Size	Shell Size	Backshell Size Designator	A Cable Entry		B Thread Class 2B	E Max.	H Max.	L Max.	Q Max.
			Open	Closed					
A	11	A	.312	.188	.750-1P-.2L-DS	.938	5.332	3.812	3.250
A	11	B	.438	.281		1.125	5.332	3.812	3.250
A	11	C	.562	.344		1.312	5.457	4.000	3.375
B	13	A	.438	.281	.875-1P-.2L-DS	1.125	5.332	3.812	3.250
B	13	B	.562	.344		1.312	5.457	4.000	3.375
B	13	C	.625	.375		1.312	5.682	4.250	3.500
C	15	A	.438	.281	1.062-1P-.2L-DS	1.125	5.457	4.000	3.375
C	15	B	.562	.344		1.312	5.457	4.000	3.375
C	15	C	.625	.375		1.312	5.682	4.250	3.500
C	15	D	.750	.438		1.593	5.713	4.125	3.500
D	17	A	.625	.375	1.125-1P-.2L-DS	1.312	5.682	4.250	3.500
D	17	B	.750	.438		1.593	5.713	4.250	3.500
E	19	A	.625	.375	1.312-1P-.2L-DS	1.312	5.682	4.250	3.500
E	19	B	.938	.625		1.750	5.832	4.375	3.625
F	23	A	.750	.438	1.500-1P-.2L-DS	1.593	5.738	4.500	3.625
F	23	B	.938	.625		1.750	5.832	4.500	3.625
F	23	C	1.188	.812		2.093	6.019	4.688	3.625
G	25	A	.938	.625	1.625-1P-.2L-DS	1.750	5.832	4.500	3.625
G	25	B	1.188	.812		2.093	6.019	4.688	3.625
G	25	C	1.250	.875		2.093	6.144	4.688	3.750
G	25	D	1.380	1.000		2.343	6.176	4.938	3.750
H	29	A	1.188	.812	1.812-1P-.2L-DS	2.093	6.144	4.812	3.750
H	29	B	1.380	1.000		2.343	6.176	4.938	3.750
J	33	A	1.380	1.000	2.000-1P-.2L-DS	2.343	6.426	5.188	4.000
J	33	B	1.625	1.250		2.750	6.701	5.375	4.000

M28840/29 Plug Connector with 45° EMI/RFI Backshell

B



**M28840/29
Plug Connector
with 45° EMI/RFI Backshell**



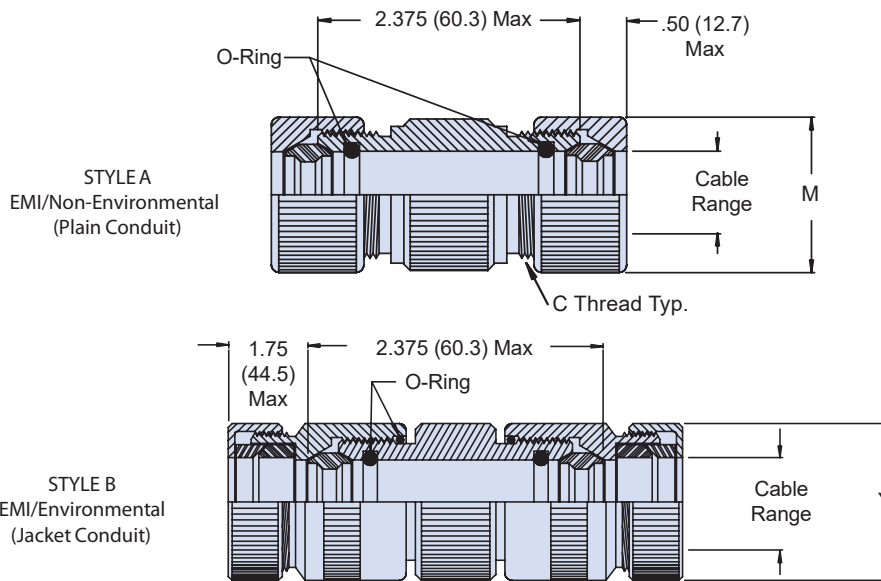
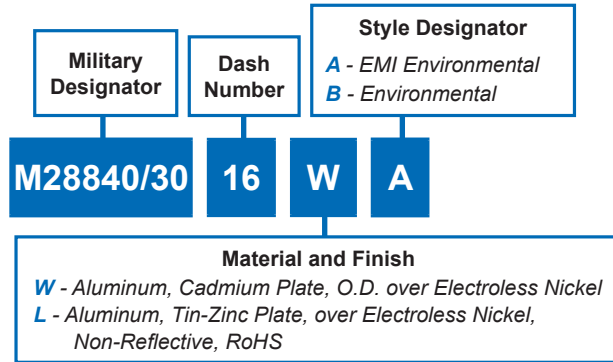
MIL-DTL
28840

Military Shell Size	Shell Size	Backshell Size Designator	A Cable Entry		B Thread Class 2B	E Max.	H Max.	L Max.	Q Max.
			Open	Closed					
A	11	A	.312	.188	.750-1P-.2L-DS	.938	5.432	7.404	3.250
A	11	B	.438	.281		1.125	5.432	7.457	3.250
A	11	C	.562	.344		1.312	5.557	7.727	3.375
B	13	A	.438	.281	.875-1P-.2L-DS	1.125	5.432	7.457	3.250
B	13	B	.562	.344		1.312	5.557	7.727	3.375
B	13	C	.625	.375		1.312	5.682	7.938	3.500
C	15	A	.438	.281	1.062-1P-.2L-DS	1.125	5.557	7.671	3.375
C	15	B	.562	.344		1.312	5.557	7.727	3.375
C	15	C	.625	.375		1.312	5.682	7.938	3.500
C	15	D	.750	.438		1.593	5.713	8.058	3.500
D	17	A	.625	.375	1.125-1P-.2L-DS	1.312	5.682	7.938	3.500
D	17	B	.750	.438		1.593	5.713	8.058	3.500
E	19	A	.625	.375	1.312-1P-.2L-DS	1.312	5.682	7.938	3.500
E	19	B	.938	.625		1.750	5.932	8.371	3.625
F	23	A	.750	.438	1.500-1P-.2L-DS	1.593	5.838	8.272	3.625
F	23	B	.938	.625		1.750	5.932	8.371	3.625
F	23	C	1.188	.812		2.093	6.119	8.628	3.625
G	25	A	.938	.625	1.625-1P-.2L-DS	1.750	5.932	8.371	3.625
G	25	B	1.188	.812		2.093	6.119	8.628	3.625
G	25	C	1.250	.875		2.093	6.244	8.841	3.750
G	25	D	1.380	1.000		2.343	6.276	8.950	3.750
H	29	A	1.188	.812	1.812-1P-.2L-DS	2.093	6.244	8.841	3.750
H	29	B	1.380	1.000		2.343	6.276	8.950	3.750
J	33	A	1.380	1.000	2.000-1P-.2L-DS	2.343	6.526	9.377	4.000
J	33	B	1.625	1.250		2.750	6.801	9.659	4.000

B

M28840/30 Metal Conduit Coupler Styles A and B

B

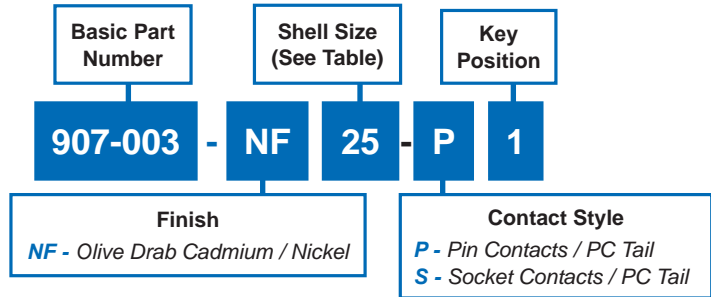


Dash Number	Conduit Size	Sealing Range		C Thread	M Max Diameter	V Thread Class 2	Y Max Diameter
		Max.	Min.				
03	03	.63 (16.0)	.50 (12.7)	.875-20 UNEF	1.12 (28.5)	1.00-20 UNEF	1.19 (30.23)
04	04	.75 (19.1)	.63 (16.0)	1.000-20 UNEF	1.25 (31.8)	1.188-18 UNEF	1.38 (35.1)
05	05	.88 (22.4)	.75 (18.1)	1.125-18 UNEF	1.43 (36.3)	1.438-18 UNEF	1.63 (41.4)
06	06	1.00 (25.4)	.88 (22.4)	1.250-18 UNEF	1.62 (41.2)	1.750-18 UNS	1.94 (49.3)
08	08	1.38 (35.1)	1.19 (30.2)	1.625-18 UNEF	1.81 (46.0)	2.00-18 UNS	2.19 (55.6)
10	10	1.63 (41.4)	1.44 (36.6)	1.875-18 UNS	2.18 (55.4)	2.250-16 UN	2.44 (62.0)
12	12	1.88 (47.8)	1.63 (41.4)	2.125-16 UN	2.56 (65.0)	2.50-16 UN	2.69 (68.3)
16	16	2.38 (60.5)	2.13 (54.1)	2.750-16 UN	3.06 (77.8)	3.00-16 UN	3.19 (81.0)

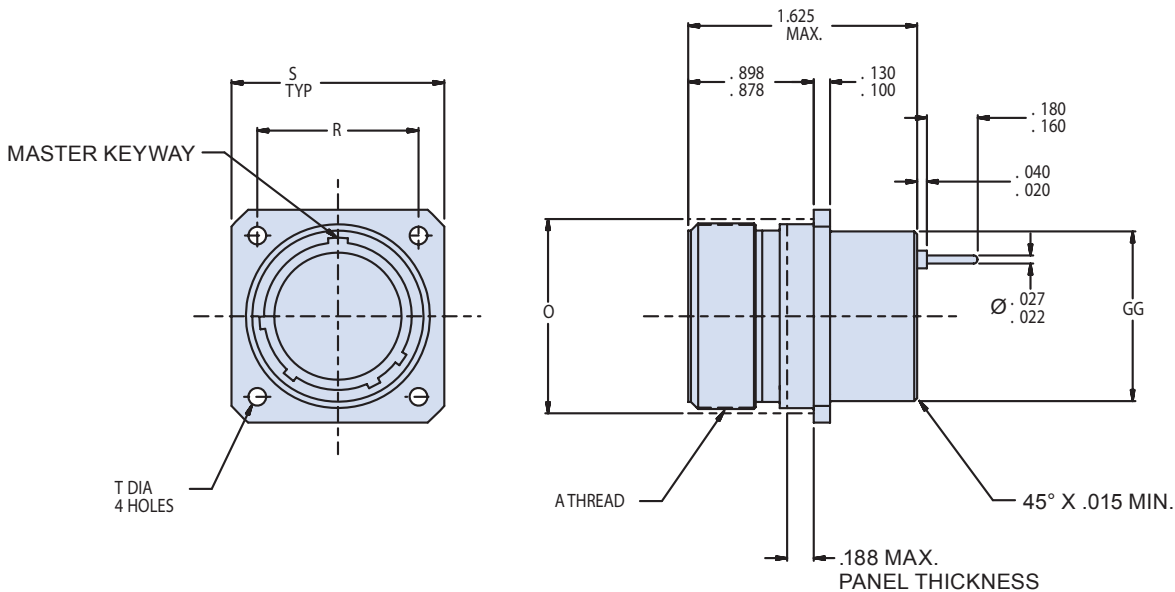
907-003
Glenair MIL-DTL-28840 Commercial Equivalent
Box Mount Receptacle with PC Tail Contacts



MIL-DTL
28840



B



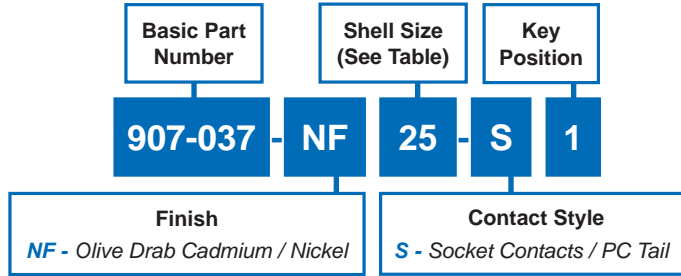
Symbol	Material	Finish Description
NF	Aluminum	Cadmium O.D. over Electroless Nickel
ZN		Zinc Nickel
MT		Nickel-PTFE, 1000 Hour Grey™
Z1	316 Type Stainless Steel	Passivate
ZU		Black Cadmium Olive Drab over Nickel

Military Shell Size	Shell Size	A Thread Class 2A	O Ref. Mtg. Max.	R True Position \varnothing to \varnothing	S	T	GG Diameter Max.
A	11	.750-.1P-.2L-D.S.	.812	.750	1.043 1.003	.130 .115	.758
B	13	.875-.1P-.2L-D.S.	.937	.843	1.158 1.118		.880
C	15	1.062-.1P-.2L-D.S.	1.124	.968	1.278 1.238		1.005
D	17	1.125-.1P-.2L-D.S.	1.187	1.015	1.403 1.363		1.130
E	19	1.312-.1P-.2L-D.S.	1.374	1.140	1.528 1.488		1.255
F	23	1.500-.1P-.2L-D.S.	1.562	1.281	1.738 1.698		1.443
G	25	1.625-.1P-.2L-D.S.	1.687	1.392	1.838 1.798	.157 .142	1.567
H	29	1.812-.1P-.2L-D.S.	1.937	1.568	2.158 2.118		1.880
J	33	2.000-.1P-.2L-D.S.	2.124	1.734	2.348 2.308	.183 .168	2.067

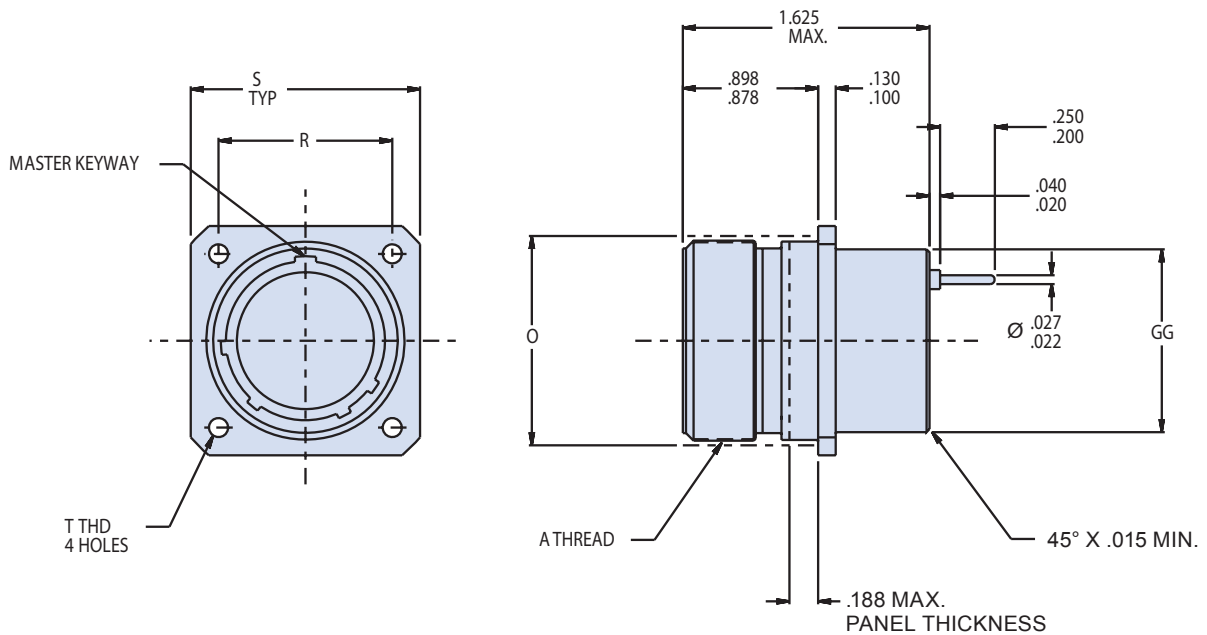
907-037
Glenair MIL-DTL-28840 Commercial Equivalent
Box Mount Receptacle with PC Tail Contacts



MIL-DTL
28840



B



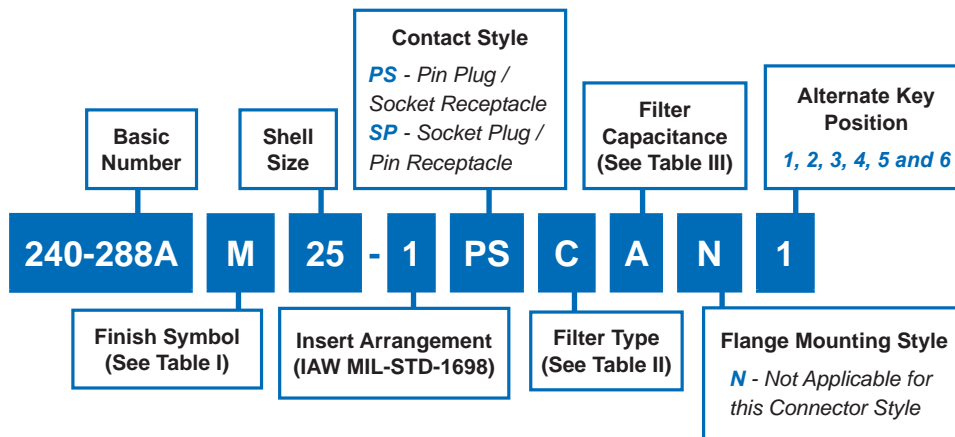
Symbol	Material	Finish Description
NF	Aluminum	Cadmium O.D. over Electroless Nickel
ZN		Zinc Nickel
MT		Nickel-PTFE, 1000 Hour Grey™
Z1	316 Type Stainless Steel	Passivate
ZU		Black Cadmium Olive Drab over Nickel

Military Shell Size	Shell Size	A Thread Class 2A	O Ref. Mtg. Max.	R True Position C to C	S	T	GG Diameter Max.
A	11	.750-.1P-.2L-D.S.	.812	.750	1.043 1.003	#4-40	.758
B	13	.875-.1P-.2L-D.S.	.937	.843	1.158 1.118	#4-40	.880
C	15	1.062-.1P-.2L-D.S.	1.124	.968	1.278 1.238	#4-40	1.005
D	17	1.125-.1P-.2L-D.S.	1.187	1.015	1.403 1.363	#4-40	1.130
E	19	1.312-.1P-.2L-D.S.	1.374	1.140	1.528 1.488	#4-40	1.255
F	23	1.500-.1P-.2L-D.S.	1.562	1.281	1.738 1.698	#4-40	1.443
G	25	1.625-.1P-.2L-D.S.	1.687	1.392	1.838 1.798	#6-32	1.567
H	29	1.812-.1P-.2L-D.S.	1.937	1.568	2.158 2.118	#6-32	1.880
J	33	2.000-.1P-.2L-D.S.	2.124	1.734	2.348 2.308	#6-32	2.067

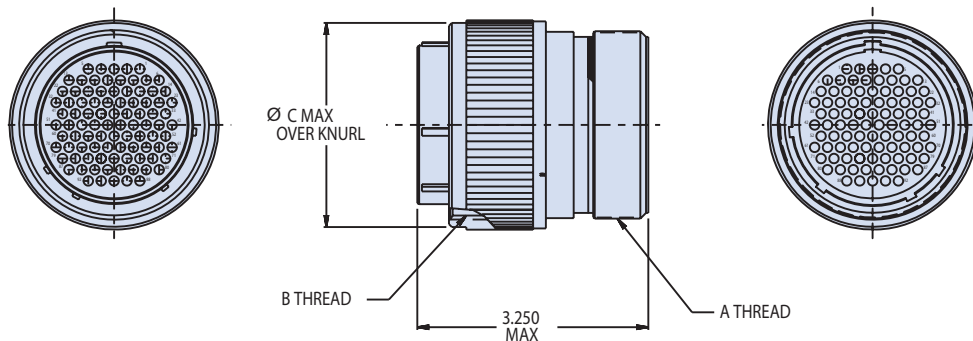
240-288A Sav-Con® Filtered Connector Saver for MIL-DTL-28840 Connectors



MIL-DTL
28840



B



Military Shell Size	Shell Size	A Thread Class 2A	B Thread Class 2B	Ø C Max
A	11	.750-.1P-.2L-D.S.	.750-.1P-.2L-D.S.	1.028
B	13	.875-.1P-.2L-D.S.	.875-.1P-.2L-D.S.	1.141
C	15	1.062-.1P-.2L-D.S.	1.062-.1P-.2L-D.S.	1.263
D	17	1.125-.1P-.2L-D.S.	1.125-.1P-.2L-D.S.	1.387
E	19	1.312-.1P-.2L-D.S.	1.312-.1P-.2L-D.S.	1.513
F	23	1.500-.1P-.2L-D.S.	1.500-.1P-.2L-D.S.	1.703
G	25	1.625-.1P-.2L-D.S.	1.625-.1P-.2L-D.S.	1.825
H	29	1.812-.1P-.2L-D.S.	1.812-.1P-.2L-D.S.	2.143
J	33	2.000-.1P-.2L-D.S.	2.000-.1P-.2L-D.S.	2.329

Symbol	Material	Finish Description
M	Aluminum	Electroless Nickel
MT	Aluminum	Nickel-PTFE, 1000 Hour Grey™
NF	Aluminum	Cadmium O.D. over Electroless Nickel
P	Stainless Steel	Electrodeposited Nickel

B

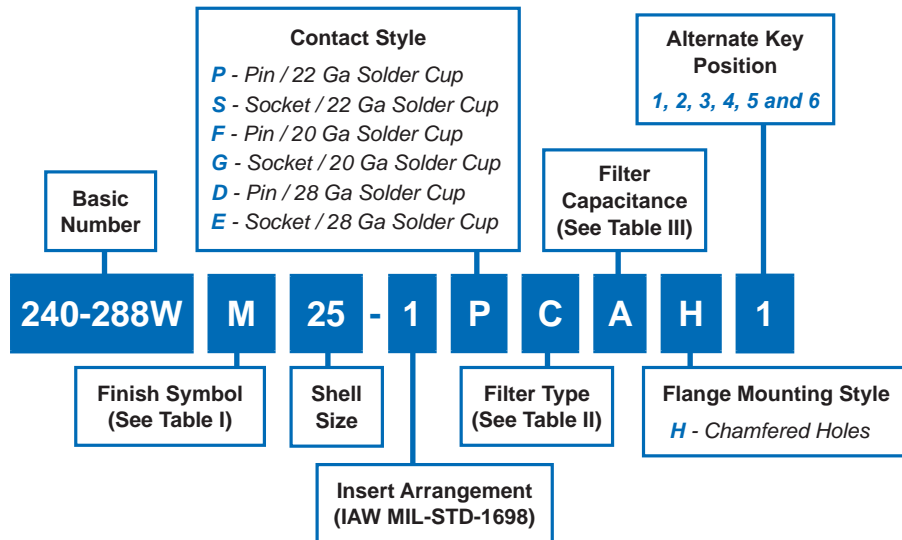
Filter Type	
P	PI-Section
C	C-Section

Class	PI-Section (pF)	C-Section (pF)
X	160,000 - 240,000	80,000 - 120,000
Y	80,000 - 120,000	40,000 - 60,000
Z	60,000 - 91,000	30,000 - 45,000
A	38,000 - 56,000	19,000 - 28,000
B	32,000 - 45,000	16,000 - 22,500
C	18,000 - 33,000	9,000 - 16,500
D	8,000 - 12,000	4,000 - 6,000
E	3,300 - 5,000	1,650 - 2,500
F	800 - 1,300	400 - 650
G	400 - 600	200 - 300

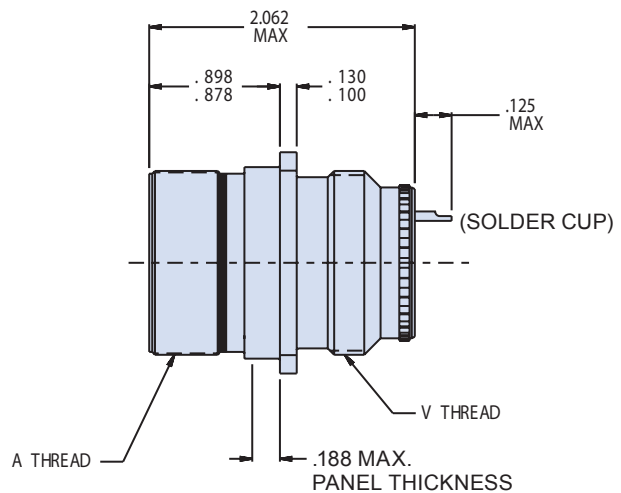
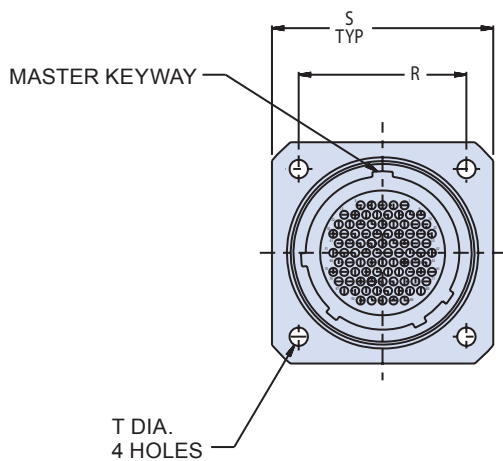
240-288W Filtered Wall Mount Receptacle MIL-DTL-28840 Type



MIL-DTL
28840

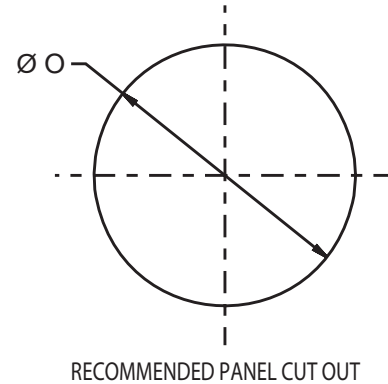


B



Symbol	Material	Finish Description
M	Aluminum	Electroless Nickel
MT	Aluminum	Nickel-PTFE, 1000 Hour Grey™
NF	Aluminum	Cadmium O.D. over Electroless Nickel
P	Stainless Steel	Electrodeposited Nickel

Class	PI-Section (pF)	C-Section (pF)
X	160,000 - 240,000	80,000 - 120,000
Y	80,000 - 120,000	40,000 - 60,000
Z	60,000 - 91,000	30,000 - 45,000
A	38,000 - 56,000	19,000 - 28,000
B	32,000 - 45,000	16,000 - 22,500
C	18,000 - 33,000	9,000 - 16,500
D	8,000 - 12,000	4,000 - 6,000
E	3,300 - 5,000	1,650 - 2,500
F	800 - 1,300	400 - 650
G	400 - 600	200 - 300



Filter Type	
P	PI-Section
C	C-Section

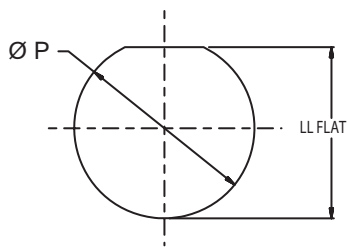
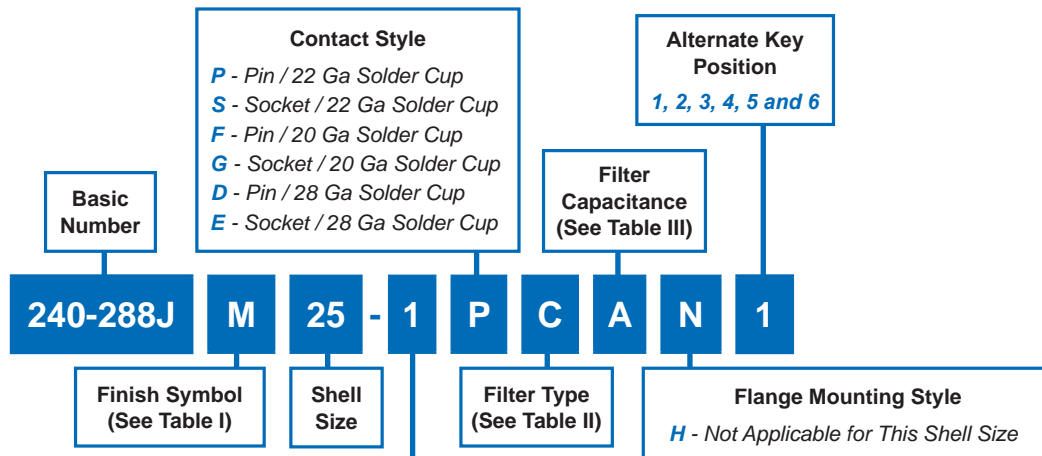
Military Shell Size	Shell Size	A Thread Class 2A	V Thread Class 2A	O Ref. Mtg. Hole	R True Position ⌀ to ⌀	S	T Diameter
A	11	.750-.1P-.2L-D.S.	.750-20 UNEF	.812	.750	1.043 1.003	.130 .115
B	13	.875-.1P-.2L-D.S.	.875-20 UNEF	.937	.843	1.158 1.118	
C	15	1.062-.1P-.2L-D.S.	1.000-20 UNEF	1.124	.968	1.278 1.238	
D	17	1.125-.1P-.2L-D.S.	1.125-18 UNEF	1.187	1.015	1.403 1.363	
E	19	1.312-.1P-.2L-D.S.	1.250-18 UNEF	1.374	1.140	1.528 1.488	
F	23	1.500-.1P-.2L-D.S.	1.437-18 UNEF	1.562	1.281	1.738 1.698	
G	25	1.625-.1P-.2L-D.S.	1.562-18 UNEF	1.687	1.392	1.838 1.798	.157 .142
H	29	1.812-.1P-.2L-D.S.	1.875-16 UN	1.874	1.568	2.158 2.118	
J	33	2.000-.1P-.2L-D.S.	2.062-16 UNS	2.062	1.734	2.348 2.308	.183 .168

240-288J Filtered Jam Nut Mount Receptacle MIL-DTL-28840 Type

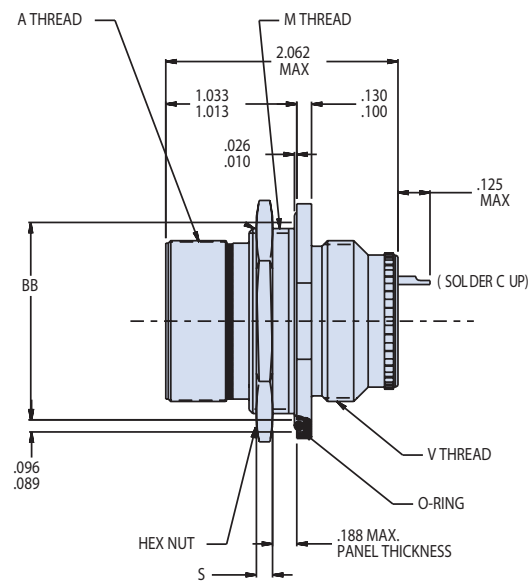
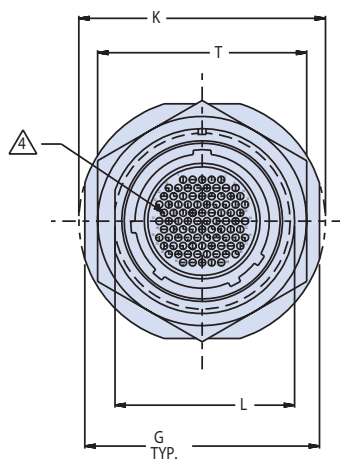


MIL-DTL
28840

B



Filter Type	
P	PI-Section
C	C-Section



Class	PI-Section (pF)	C-Section (pF)
X	160,000 - 240,000	80,000 - 120,000
Y	80,000 - 120,000	40,000 - 60,000
Z	60,00 - 91,000	30,000 - 45,000
A	38,000 - 56,000	19,000 - 28,000
B	32,000 - 45,000	16,000 - 22,500
C	18,000 - 33,000	9,000 - 16,500
D	8,000 - 12,000	4,000 - 6,000
E	3,300 - 5,000	1,650 - 2,500
F	800 - 1,300	400 - 650
G	400 - 600	200 - 300

Symbol	Material	Finish Description
M	Aluminum	Electroless Nickel
MT	Aluminum	Nickel-PTFE, 1000 Hour Grey™
NF	Aluminum	Cadmium O.D. over Electroless Nickel
P	Stainless Steel	Electrodeposited Nickel

240-288J

Filtered Jam Nut Mount Receptacle

MIL-DTL-28840 Type

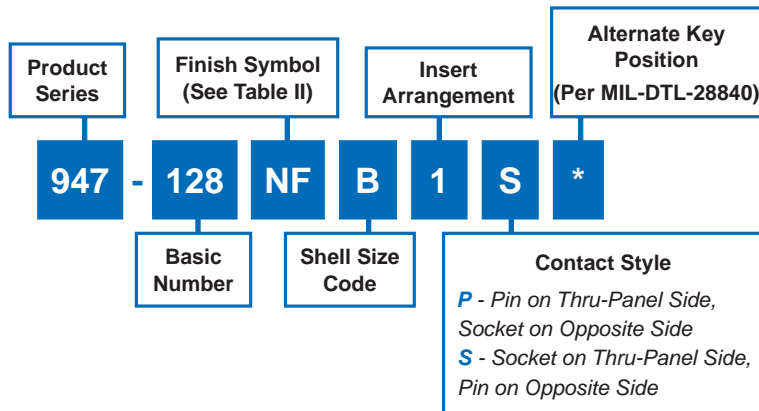
Military Shell Size	Shell Size	A Thread Class 2A	G	K Dia.	L Across Flat	M Thread Class 2A
A	11	.750-.1P-.2L-D.S.	1.274 1.254	1.368 1.348	.841 .832	.875-20 UNEF
B	13	.875-.1P-.2L-D.S.	1.399 1.379	1.508 1.488	.966 .957	1.000-20 UNEF
C	15	1.062-.1P-.2L-D.S.	1.587 1.567	1.681 1.661	1.153 1.144	1.187-18 UNEF
D	17	1.125-.1P-.2L-D.S.	1.649 1.629	1.743 1.723	1.216 1.207	1.250-18 UNEF
E	19	1.312-.1P-.2L-D.S.	1.837 1.817	1.931 1.911	1.403 1.394	1.437-18 UNEF
F	23	1.500-.1P-.2L-D.S.	2.024 2.004	2.118 2.098	1.591 1.582	1.625-18 UNEF
G	25	1.625-.1P-.2L-D.S.	2.149 2.129	2.243 2.223	1.716 1.707	1.750-18 UNS
H	29	1.812-.1P-.2L-D.S.	2.337 2.317	2.435 2.415	1.903 1.894	1.937-16 UN
J	33	2.000-.1P-.2L-D.S.	2.524 2.504	2.618 2.598	2.091 2.082	2.125-16 UN

Military Shell Size	Shell Size	V Thread Class 2A	BB Dia.	S Nominal	T ± .017	P Dia.	LL Flat
A	11	.750-20 UNEF	.979 .969	.125	1.062	.890 .880	.853 .843
B	13	.875-20 UNEF	1.104 1.094		1.188	1.015 1.005	.978 .968
C	15	1.000-20 UNEF	1.292 1.282		1.375	1.203 1.193	1.165 1.155
D	17	1.125-18 UNEF	1.354 1.344		1.438	1.265 1.255	1.228 1.218
E	19	1.250-18 UNEF	1.542 1.532		1.625	1.453 1.443	1.415 1.405
F	23	1.437-18 UNEF	1.729 1.719		1.812	1.640 1.630	1.603 1.593
G	25	1.562-18 UNEF	1.854 1.844	.189	2.000	1.765 1.755	1.728 1.718
H	29	1.875-16 UN	2.042 2.032		2.188	1.953 1.943	1.915 1.905
J	33	2.062-16 UNS	2.229 2.219		2.375	2.140	1.103
						2.130	2.093

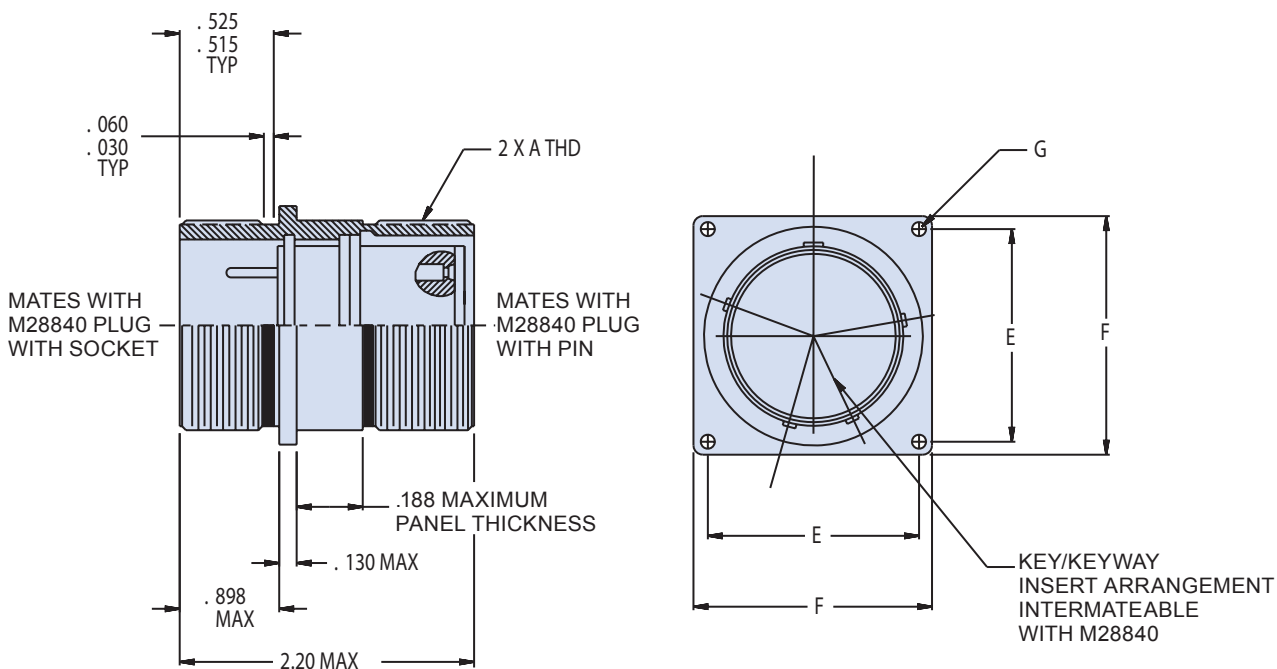
947-128
Bulkhead Feedthrough Receptacle
 Wall Mount • MIL-DTL-28840 Type



MIL-DTL
28840



B



Symbol	Material	Finish Description
NF	Aluminum	Cadmium O.D. over Electroless Nickel
ZN		Zinc Nickel
MT		Nickel-PTFE, 1000 Hour Grey™
Z1	316 Type Stainless Steel	Passivate
ZU		Black Cadmium Olive Drab over Nickel

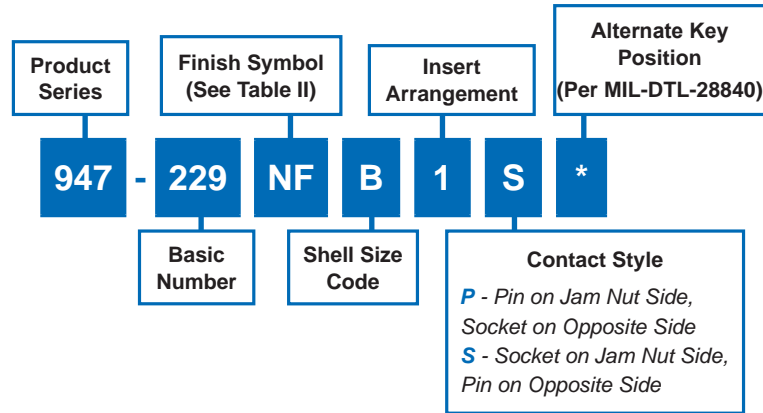
B

Military Shell Size	Shell Size	Insert Arrangement Dash Number	A Thread Class 2A	E BSC	F Max.	G Dia. Max.
A	11	A-1	.750-.1P-.2L-D.S.	.750	1.039	.130
B	13	B-1	.875-.1P-.2L-D.S.	.843	1.154	
C	15	C-1	1.062-.1P-.2L-D.S.	.968	1.274	
D	17	D-1	1.125-.1P-.2L-D.S.	1.015	1.399	
E	19	E-1	1.312-.1P-.2L-D.S.	1.140	1.524	
F	23	F-1	1.500-.1P-.2L-D.S.	1.281	1.734	
G	25	G-1	1.625-.1P-.2L-D.S.	1.392	1.834	.157
H	29	H-1	1.812-.1P-.2L-D.S.	1.568	2.154	
J	33	J-1	2.000-.1P-.2L-D.S.	1.734	2.344	.183

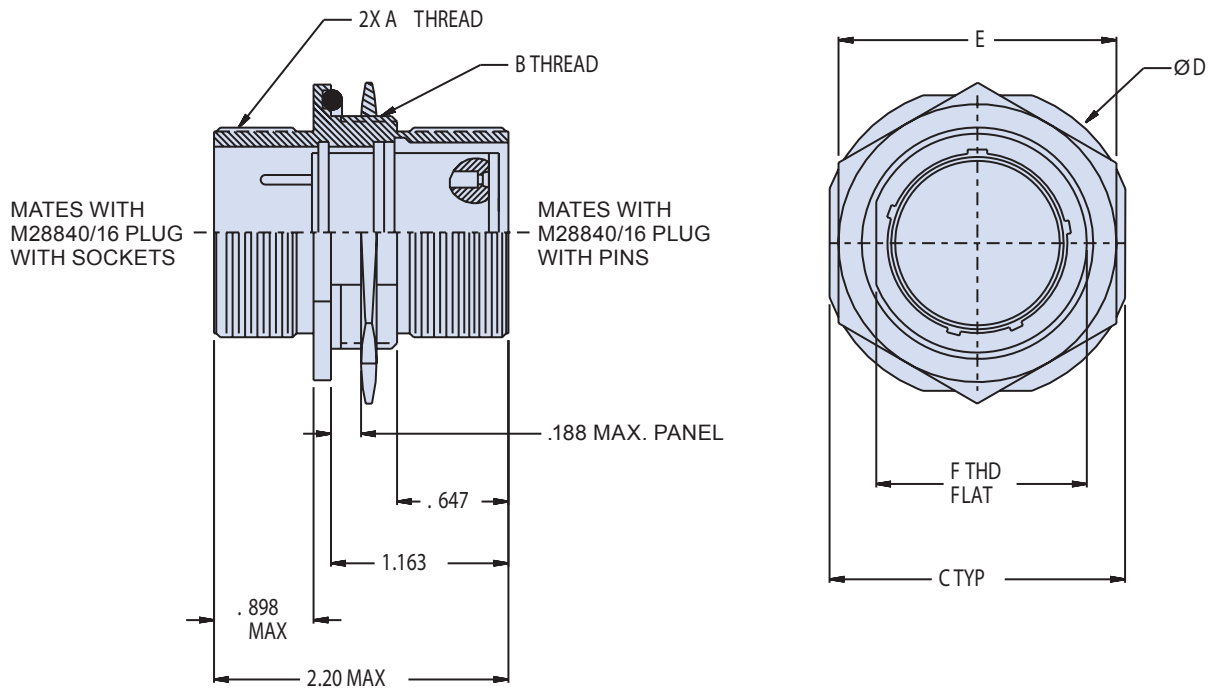
947-229 Bulkhead Feedthrough Receptacle Jam Nut Mount • MIL-DTL-28840 Type



MIL-DTL
28840



B



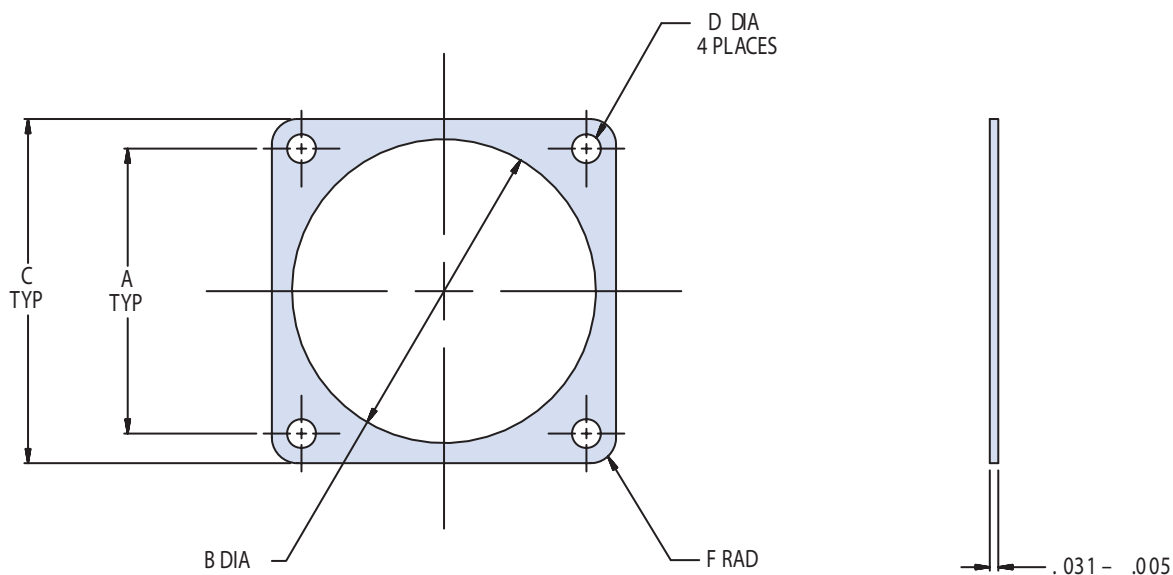
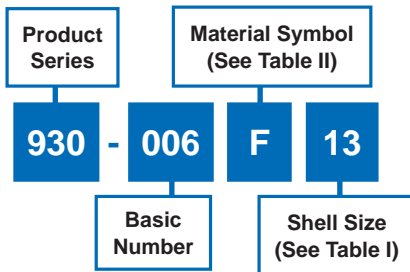
Symbol	Material	Finish Description
NF	Aluminum	Cadmium O.D. over Electroless Nickel
ZN		Zinc Nickel
MT		Nickel-PTFE, 1000 Hour Grey™
Z1	316 Type Stainless Steel	Passivate
ZU		Black Cadmium Olive Drab over Nickel

Military Shell Size	Shell Size	Insert Arrangement Dash Number	A Thread Class 2A	B Thread Class 2A	C Flats	D Dia.	E Hex	F Thread Flat
A	11	A-1	.750-.1P-.2L-D.S.	.875-20 UNEF	1.264	1.358	1.062	.836
B	13	B-1	.875-.1P-.2L-D.S.	1.000-20 UNEF	1.389	1.498	1.188	.962
C	15	C-1	1.062-.1P-.2L-D.S.	1.187-18 UNEF	1.577	1.671	1.375	1.149
D	17	D-1	1.125-.1P-.2L-D.S.	1.250-18 UNEF	1.639	1.733	1.438	1.212
E	19	E-1	1.312-.1P-.2L-D.S.	1.437-18 UNEF	1.827	1.921	1.625	1.399
F	23	F-1	1.500-.1P-.2L-D.S.	1.625-18 UNF	2.014	2.108	1.812	1.587
G	25	G-1	1.625-.1P-.2L-D.S.	1.750-18 UNS	2.139	2.233	2.000	1.708
H	29	H-1	1.812-.1P-.2L-D.S.	1.937-16 UN	2.327	2.425	2.188	1.898
J	33	J-1	2.000-.1P-.2L-D.S.	2.125-16 UN	2.514	2.608	2.375	2.086

930-006 Wall Mount Receptacle Mounting Gasket for MIL-DTL-28840 Connectors



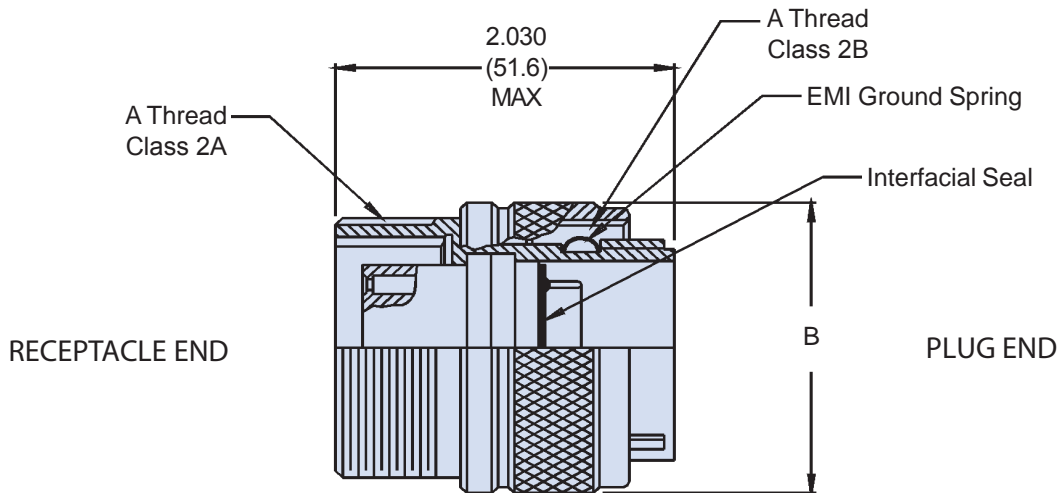
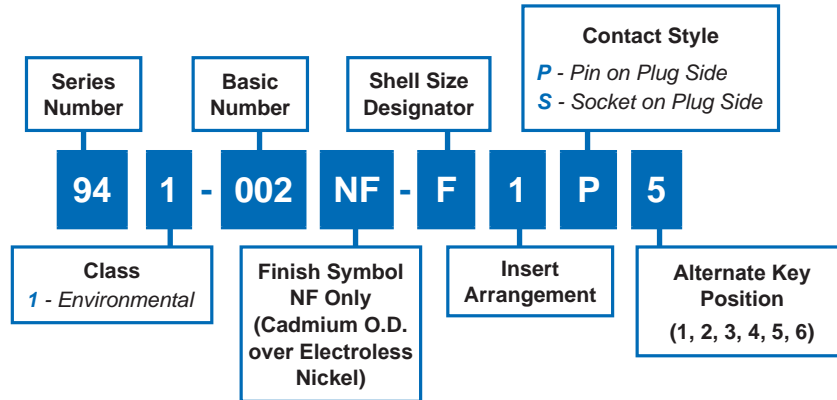
MIL-DTL
28840



B

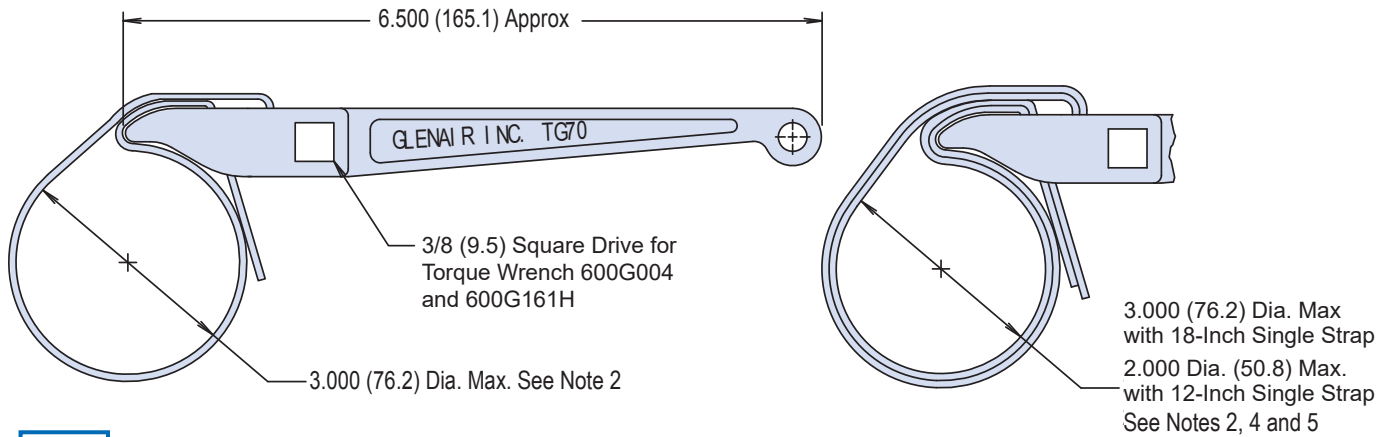
Symbol	Material Description
F	Fluorosilicone
M	Silver Plated Glass Filled Silicone
N	Neoprene

Shell Size	A ± .010	B Dia. +.016 -.000	C .016 -.000	D Dia. ± .010	F Radius ± .010
11	.750	.750	1.023	.120	.141
13	.843	.875	1.138		
15	.968	1.062	1.258		
17	1.015	1.125	1.383		
19	1.140	1.312	1.508		
23	1.281	1.500	1.718	.147	.188
25	1.392	1.625	1.818		
29	1.568	1.875	2.138		
33	1.734	2.062	2.328		



Insert Arrangement Dash Number	Shell Size	A Thread Class 2*	B Max	Contact Size 20 Quantity
A-1	11	.750-.1P-.2L-D.S.	1.028 (26.1)	7
B-1	13	.875-.1P-.2L-D.S.	1.141 (29.0)	12
C-1	15	1.062-.1P-.2L-D.S.	1.263 (32.1)	21
D-1	17	1.125-.1P-.2L-D.S.	1.387 (35.2)	31
E-1	19	1.312-.1P-.2L-D.S.	1.513 (38.4)	42
F-1	23	1.500-.1P-.2L-D.S.	1.703 (43.3)	64
G-1	25	1.625-.1P-.2L-D.S.	1.825 (46.4)	92
H-1	29	1.812-.1P-.2L-D.S.	2.143 (54.4)	121
J-1	33	2.000-.1P-.2L-D.S.	2.329 (59.2)	155

TG70 Strap Wrench



Basic Part Number
Torque Wrench
(Omit for None)

TG70 - 1 - 18

Strap Length in Inches (See Notes 2 and 4)
Lengths Available: 12, 18, 24 and 36-Inch Only
Standard length is 12 Inches.
Omit Dash Number for Standard

APPLICATION NOTES

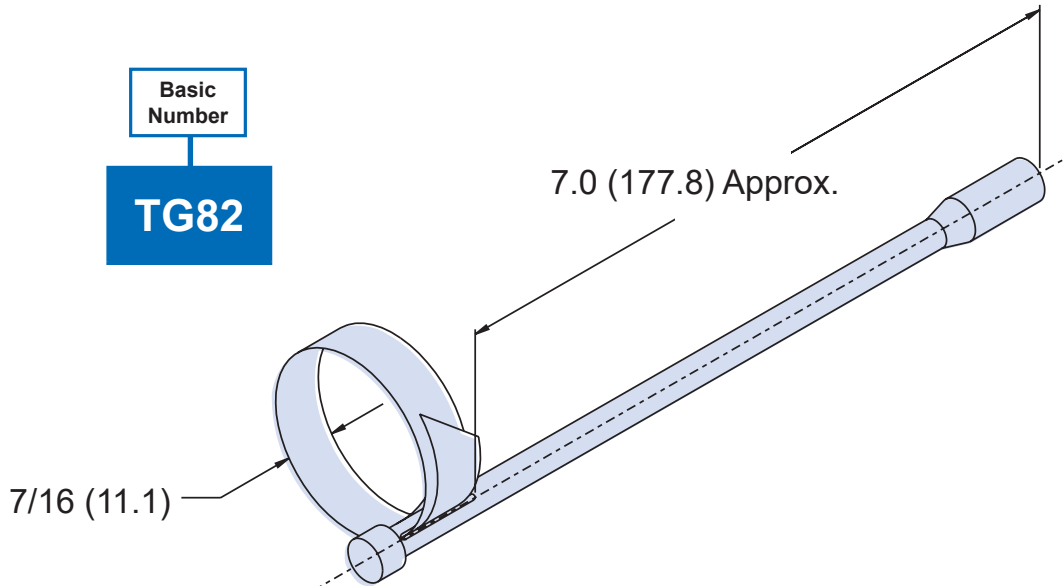
- These wrenches are made of the following materials:
Wrench Handle - Aluminum Alloy/Nickel Plate.
Wedge - Stainless Steel/Passivated.
Strap - Impregnated Fabric. Straps are 1/2 inch (12.7) in width.
- Replacement straps are available. Specify part number G70515-xx for 12, 18, 24 or 36-inch strap. 24 and 36 inch for double wrap.
- Metric dimensions (mm) are indicated in parentheses.
- Double wrap as shown for heavy duty range.
- Not recommended for composite coupling nuts (use 600-091 or 600-157).

INSTALLATION TORQUE VALUES FOR CIRCULAR ELECTRICAL CONNECTOR ACCESSORIES

Shell Sizes	Column 1 Light and Medium Duty AS50151 (AS31001 Series) MIL-DTL-26482 Series I MIL-DTL-26500, MIL-DTL-27599 MIL-DTL-38999 Series I and II MIL-C-81511 Series I, II, III and IV AS81703 Series I	Column 2 Heavy Duty AS50151 (AS34001 Series) MIL-DTL-22992, MIL-DTL-28840 MIL-DTL-26482 Series II MIL-DTL-38999 Series III and IV MIL-DTL-83723 Series I, II and III, AS81703 Series III
	In-Lbs, Min/Max	In-Lbs, Min/Max
8, 9, A	30/40	51/61
3, 10, 10SL, 11, B	30/40	71/81
7, 12, 12S, 13, C	35/45	103/113
14, 14S, 15, D	35/45	111/121
16, 16S, 17, E	35/45	111/121
18, 19, 27, F	35/45	111/121
20, 21, 37, G	75/85	131/141
22, 23, H	75/85	131/141
24, 25, 61, J	75/85	131/141
28, 29	115/125	143/153
32, 33	115/125	143/153
36	115/125	142/153

VARIANCE CHART NOTES

- Torque values per SAE AIR6151, all values are provided in Inch/Pounds.
- For additional guidance or values/conditions not listed, refer to the complete SAE AIR6151.
- Heavy duty installation torque values (Column 2) may be difficult to obtain using the standard single wrap strap as supplied in the TG70. To achieve column 2 torque across all shell sizes a double wrap strap (using longer straps) is required as well as very careful placement of the tool and strap around the coupling to achieve maximum grip. Clean and oil-free surfaces are imperative.
- Glenair 600-006/079/103/107 circular pliers are also suitable for higher torque ranges.
- Glenair recommends that torque values be measured directly read through the connector shell using suitable holding tool from our 600-005 sockets and ply holder with the use of 600-005 connectors holding tools.
- Due to the offset of the 3/8" square drive from the centerline of the applied torque (centerline of the connector/backshell) offset torque values must be calculated by using any of the common offset value formulas or web apps that are readily available.



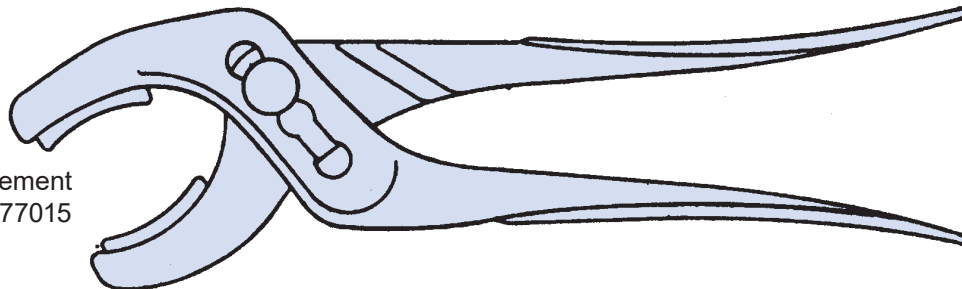
APPLICATION NOTES

1. Metric dimensions (mm) are in parentheses and are for reference only.
2. 2.50 (63.5) Max Capacity; Not recommended for composite coupling nuts (use 600-091 or 600-157)
3. 1/4 Inch Drive
4. The replacement strap part number is G62748-11. Consult Factory for other lengths.

TG69

Basic
Number

Nylon Replacement
Inserts P/N G77015



Qualified MIL-PRF-28876 connectors for shipboard use

Glenair's qualified MIL-PRF-29504/14 and /15 termini and MIL-PRF-28876 connectors, plus backshells and dust cap accessories are ready for deployment in shipboard, surface and submarine applications, as well as mission-critical combat communication systems such as mobile tactical shelters. They are specifically geared for upgrade and retrofit applications where extending system life-cycles and reducing cost of ownership are principal requirements.



Product No.	Description	Page No.
Fiber Optic Termini		
181-039	M29504/14 Fiber Optic Pin Terminus, Size 16	C-3
181-040	M29504/15 Fiber Optic Socket Terminus, Size 16	C-4
181-051	M29504/3 Fiber Optic Dummy Terminus, Size 16	C-5
Fiber Optic Connectors		
180-040	M28876 Square Flange Wall Mount Receptacle Connector	C-10
180-040	M28876 Jam Nut Mount Receptacle Connector	C-12
180-040	M28876 In-Line Receptacle Connector	C-14
180-040	M28876 Plug Connector	C-14
Panel Gaskets, Backshells, Adapters and Dust Covers		
M28840/24	MIL-Spec Wall Mount Gasket	C-17
930-006	Commercial Wall Mount Gasket	C-17
189-015	Environmental Banding Backshell	C-18
189-001	Fiber Optic Backshell with Split Clamp	C-20
189-007	Fiber-Con Backshell	C-22
189-009	Banding Backshell/Molding Adapter	C-24
189-014	PEEK Convoluted Tubing Backshell	C-26
660-072/073	Dust Covers	C-28

Catalog Notes

Metric dimensions appear in parentheses in diagrams and tables, based on 1 inch = 25.4 mm, for reference only. Unless otherwise specified, the following other dimensional tolerances apply:

.xx = ± .03 (0.8) • .xxx = ± .015 (0.4) • Angles = ± 5°

Test Description	Performance Requirements/Specifications
Optical Insertion Loss, Multimode	-0.3 dB Typical (62.5/125)
Optical Insertion Loss, Singlemode	-0.3 dB Typical (9/125)
Optical Back Reflection, Singlemode	Better than -40 dB - PC Polish Better than -50 dB - Enhanced PC Polish
Operating Temperature	-28°C to +65°C using MIL-Spec Qualified Epoxy and Cable, or -55°C to +125°C using alternative Epoxy and Cable (consult factory)
Temperature (Thermal) Shock	-40°C to +70°C, 5 Cycles, per TIA/EIA-455-71, Test Schedule C
Temperature Cycling	-28°C to +65°C, 5 Cycles, per TIA/EIA-455-3
Temperature/Humidity Cycling	-10°C to +65°C, 10 Cycles, 240 hours, 98% RH, per TIA/EIA-455-5, Test Method B
Temperature Life Aging	+110°C, 240 hours, Dry Air, per TIA/EIA-455-4
Mating Durability	500 cycles, per TIA/EIA-455-21
Vibration - Sinusoidal	10 g Peak, 5-500 Hz, 12 Cycles (3 hours) per Axis at Ambient Temperature, per TIA/EIA-455-11, Test Condition II
Vibration - Random	10.2 g RMS, 50-2000 Hz, 30 minutes per Axis at Ambient Temperature, per TIA/EIA-455-11, Test Condition VII-C
Mechanical Shock (High Impact)	Per MIL-S-901, Lightweight, Grade A, Class I (Hammer Shock)
Impact	8 Drops from 8 feet, per TIA/EIA-455-2, Test Method B
Crush Resistance	281 lbs, 7 Loading Cycles, per TIA/EIA-455-26
External Bending Moment	300 inch-lbs min for 1 minute
Cable Pull Out Force - Termini	22 lbs min for 1 minute, per TIA/EIA-455-6
Cable Pull Out Force - Connector	162 lbs min for 10 minutes, per TIA/EIA-455-6
Cable Seal Flexing	180° Flex, 200 Cycles, per TIA/EIA-455-1
Cable Twist	360°±180° Twist, 50 Cycles, 11 lbs min Tension, per TIA/EIA-455-36
Ozone Exposure	150 ppm for 2 hours at +70°C, per TIA/EIA-455-189
Fungus Resistance	28 days at +30°C, 95% RH, per TIA/EIA-455-56
Fluid Immersion	Turbine Fuel, Isopropyl Alcohol, Hydraulic Fluid, Lubricating Oil, Coolant, Tap Water, and Seawater, 24 hour immersion duration, per TIA/EIA-455-12
Water Pressure	Equivalent depth of 32 feet for 48 hours at +10°C to +35°C
Freezing Water	1 hour, per TIA/EIA-455-98, Test Method A, Procedure 1
Corrosion Resistance (Salt Spray)	500 hours at +35°C, per TIA/EIA-455-16, Test Condition I
Sand and Dust	12 hours, per TIA/EIA-455-35
Flammability	0.75 inch flame for 10 seconds mated, 1.50 inch flame for 60 seconds unmated, per EIA/ECA-364-81
* Performance Specifications/Requirements based on the use of MIL-PRF-24792 Epoxy and MIL-PRF-85045 Simplex and Breakout Shipboard Optical Fiber.	

M29504/14 • 181-039
Size 16 Fiber Optic Pin Terminus
for MIL-PRF-28876 Connectors



MIL-PRF
28876



Size 16 M29504/14 fiber optic pin terminus for MIL-PRF-28876 connectors



Table I: Part Number				
Mil-Spec Part Number	ØA (Microns)	Fiber Type	Fiber Size Core/Cladding (Microns)	Commercial Part Number
M29504/14-4140C	125.0	Single Mode	9/125	181-039-1250C
Not listed in Mil-Spec	125.5	Single Mode	9/125	181-039-1255C
M29504/14-4141C	126.0	Single Mode	9/125	181-039-1260C
M29504/14-4131C	126.0	Multi Mode	50/125, 62.5/125	181-039-1260C
M29504/14-4132C	127.0	Multi Mode	50/125, 62.5/125	181-039-1270C
M29504/14-4135C	142.0	Multi Mode	100/140	181-039-1420C

Consult factory for additional sizes and QPL status.

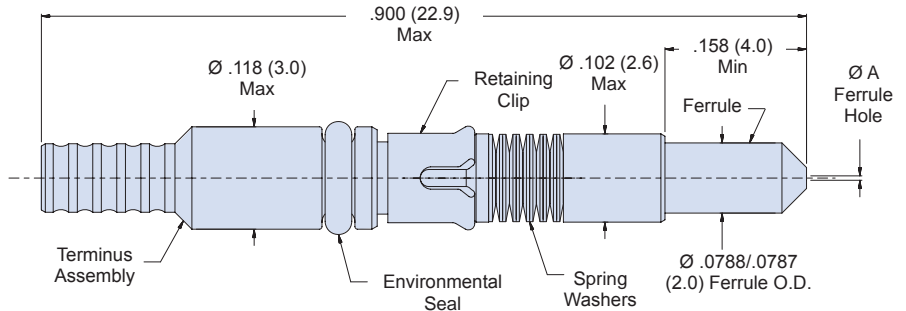
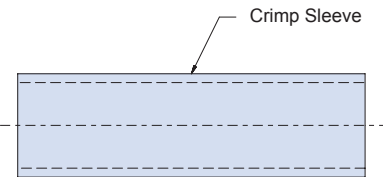


Table II: Tools and Accessories	
Part Number	Description
265-008	Crimp Sleeve Ø2.4mm Max Jacket (Mil-Spec Type)
182-012	Crimp Tool
182-013	Insertion Tool, Straight
182-014	Insertion Tool, 90°
182-015	Removal Tool
182-035	Hand Polishing Tool

Material and Finish

Ferrule: Zirconia Ceramic
 Terminus Assembly: Stainless Steel/ Passivate
 Retaining Clip, Spring Washers: Spring Alloy
 Seal: Fluorosilicone
 Crimp Sleeve: Brass Alloy/Nickel

Notes

- Crimp sleeve is supplied with terminus assembly and may be ordered separately (see Table II). For terminus less crimp sleeve, omit **C** from end of part number.
- See Glenair GAP-036 for termination procedure and assembly tools.
- Dummy terminus part number: 181-051 or M29504/3-4038.

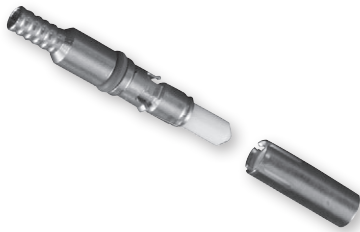

Size 16 M29504/15 fiber optic socket terminus for MIL-PRF-28876 connectors


Table I: Part Number				
Mil-Spec Part Number	ØA (Microns)	Fiber Type	Fiber Size Core/Cladding (Microns)	Commercial Part Number
M29504/15-4180C	125.0	Single Mode	9/125	181-040-1250C
Not listed in Mil-Spec	125.5	Single Mode	9/125	181-040-1255C
M29504/15-4181C	126.0	Single Mode	9/125	181-040-1260C
M29504/15-4171C	126.0	Multi Mode	50/125, 62.5/125	181-040-1260C
M29504/15-4172C	127.0	Multi Mode	50/125, 62.5/125	181-040-1270C
M29504/15-4175C	142.0	Multi Mode	100/140	181-040-1420C

Consult factory for additional sizes and QPL status.

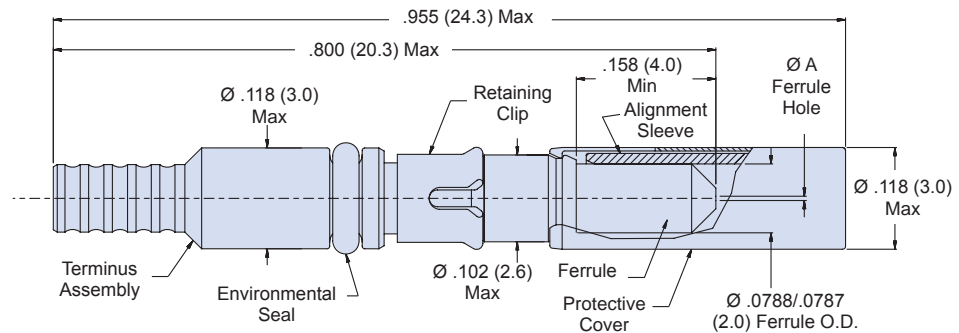
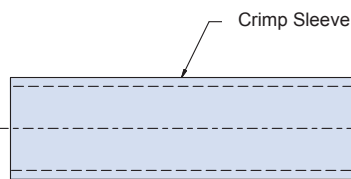


Table II: Tools and Accessories	
Part Number	Description
265-008	Crimp Sleeve Ø 2.4mm Max Jacket (Mil-Spec Type)
265-010	Alignment Sleeve Assembly
182-012	Crimp Tool
182-013	Insertion Tool, Straight
182-014	Insertion Tool, 90°
182-015	Removal Tool
182-016	Alignment Sleeve Assembly Insertion/Removal Tool
182-035	Hand Polishing Tool

Material and Finish

Alignment Sleeve, Ferrule: Zirconia Ceramic
 Protective cover: Spring Alloy / Nickel
 Terminus Assembly: Stainless Steel / Passivate
 Retaining Clip: Spring Alloy
 Seal: Fluorosilicone
 Crimp Sleeve: Brass Alloy / Nickel

Notes

- Crimp sleeve is supplied with terminus assembly and may be ordered separately (see Table II). For terminus less crimp sleeve omit **C** from end of part number.
- Alignment sleeve assembly is supplied with terminus assembly (packaged loose) and may be ordered separately (see Table II). For terminus less alignment sleeve assembly, add **N** to end of part number (e.g. 181-040-1260CN).
- See Glenair GAP-036 for termination procedure and assembly tools.
- Dummy Terminus: Part Number 181-051 or M29504/3-4038.

M29504/3 • 181-051
Size 16 Dummy Terminus
for MIL-PRF-28876 Connectors



MIL-PRF
28876

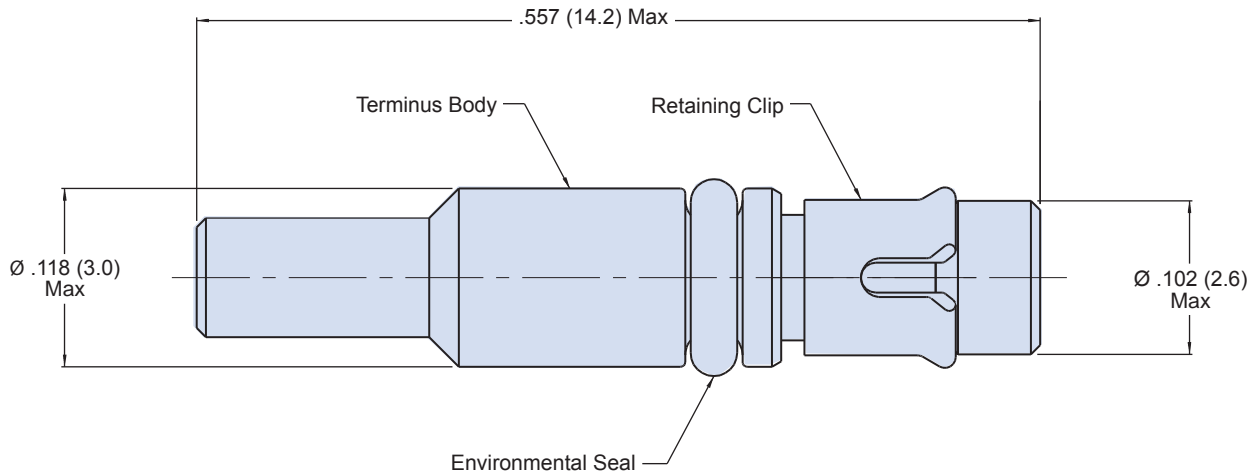


Size 16 M29504/3 fiber optic dummy terminus for MIL-PRF-28876 connectors



Table I: Part Number	
Mil-Spec Part Number	Commercial Part Number
M29504/3-4038	181-051

Table II: Tools and Accessories	
Part Number	Description
182-013	Insertion Tool, Straight
182-014	Insertion Tool, 90°
182-015	Removal Tool



Material and Finish

Terminus Body: Stainless Steel/Passivate
 Retaining Clip: Spring Alloy
 Seal: Fluorosilicone

Notes

See Glenair GAP-036 for assembly tools and procedures.

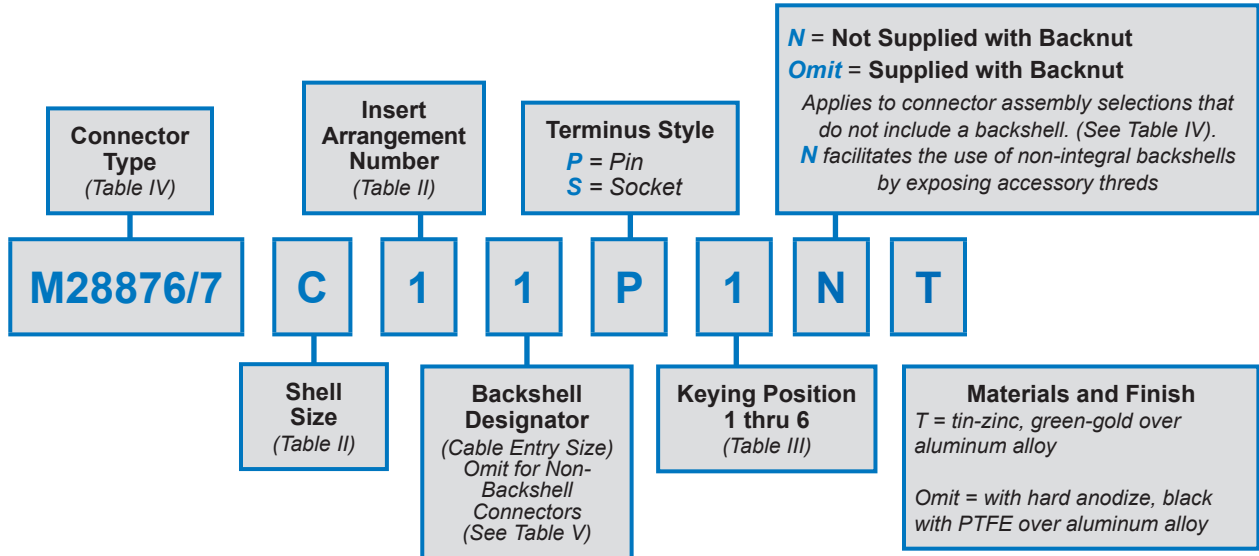




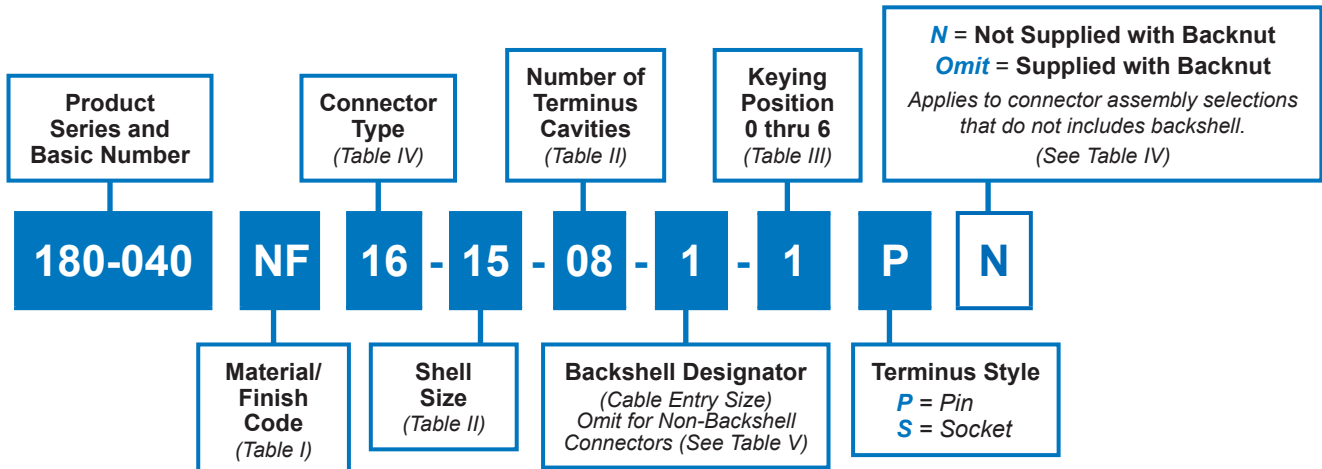
MIL-PRF-28876 QPL Fiber Optic Connectors
180-040
How to Order



Military QPL M28876/1 through /14 fiber optic connectors



Glenair commercial equivalent MIL-PRF-28876 type fiber optic connectors



MIL-PRF-28876 QPL Fiber Optic Connectors

180-040

How to Order



Table I: Material and Finishes (Commercial)

Code	Material	Finish Description
GB4	Aluminum Alloy	Hard Anodize, Black with PTFE
M*		Electroless Nickel
ME		Electroless Nickel
MT*		Nickel-PTFE, Grey
NF		Cadmium, Olive Drab
TZ		Tin-Zinc, Green-Gold
ZR		Zinc-Nickel, Black

*Inactive for new design. Use "ME" finish
Refer to Appendix for material/finish details

Table II: Shell Size and Insert Arrangement

Mil-Spec		Commercial	
Shell Size	Insert Arrangement	Shell Size	Number of Cavities
A	1	11	02
B	1	13	04
C	2	15	06
	1		08
F	2	23	18
	1		31

Consult factory for QPL status

Table V: Backshell Designator

Backshell Designator	Max Allowable Cable Diameter by Shell Size			
	A (11)	B (13)	C (15)	F (23)
1	.250 (6.4)	.285 (7.2)	.500 (12.7)	.866 (22.0)
2	.346 (8.8)	.346 (8.8)	.250 (6.4)	1.000 (25.4)
3		.453 (11.5)	.375 (9.5)	.600 (15.2)

Table IV: Connector Type

Connector Type	Backshell Type	MIL-Spec	Commercial
Wall Mount Receptacle	None	M28876/1	03
	Straight	M28876/2	13
	45°	M28876/3	23
	90°	M28876/4	33
In-Line Receptacle	Straight	M28876/5	15
Plug	None	M28876/6	06
	Straight	M28876/7	16
	45°	M28876/8	26
	90°	M28876/9	36
Jam Nut Receptacle	None	M28876/11	04
	Straight	M28876/12	14
	45°	M28876/13	24
	90°	M28876/14	34

Material and Finish

A. M28876 part numbers supplied with two finish designator options driven by part number formulation (see above).

T = Tin-Zinc, Green-Gold over Aluminum Alloy

Omit = Hard Anodize, Black with PTFE over Aluminum Alloy.

See Table I for commercial plating options.

B. Hardware: Aluminum alloy/chem film, stainless steel/passivate

C. Insert: Aluminum alloy/anodize

D. Seals and boot: Fluorosilicone

Notes

Termini (Not Supplied with Connector):

M29504/14 - Pin terminus, MIL-Spec

M29504/15 - Socket Terminus, MIL-Spec

M29504/03 - Dummy Terminus, MIL-Spec

181-039 - Pin Terminus, MIL-Spec Style

181-040 - Socket terminus, MIL-Spec Style

181-051 - Dummy Terminus, MIL-Spec Style

Backnut retained using thread-locking compound

Shell size 13 backshell designator 3 connector supplied less boot

Consult factory for termination and assembly tools/procedures

Operating Temperature Range: -55° to +125°C.

Dimensions in Inches (millimeters) are subject to change without notice.



Key Positions for MIL-PRF-28876 (180-040) fiber optic connectors

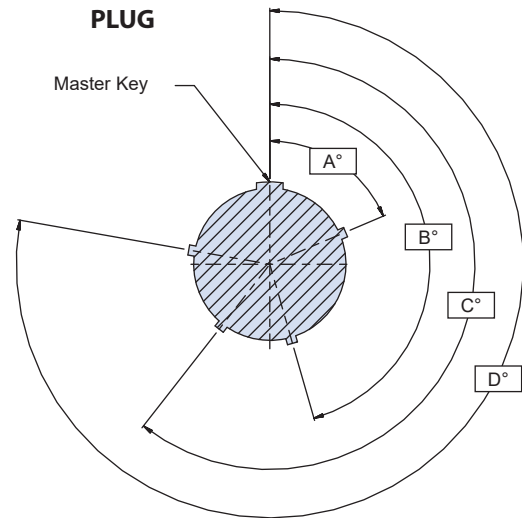
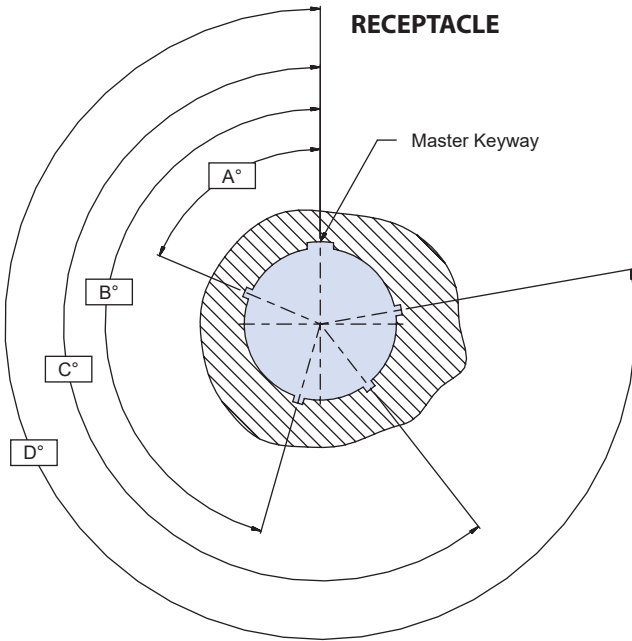


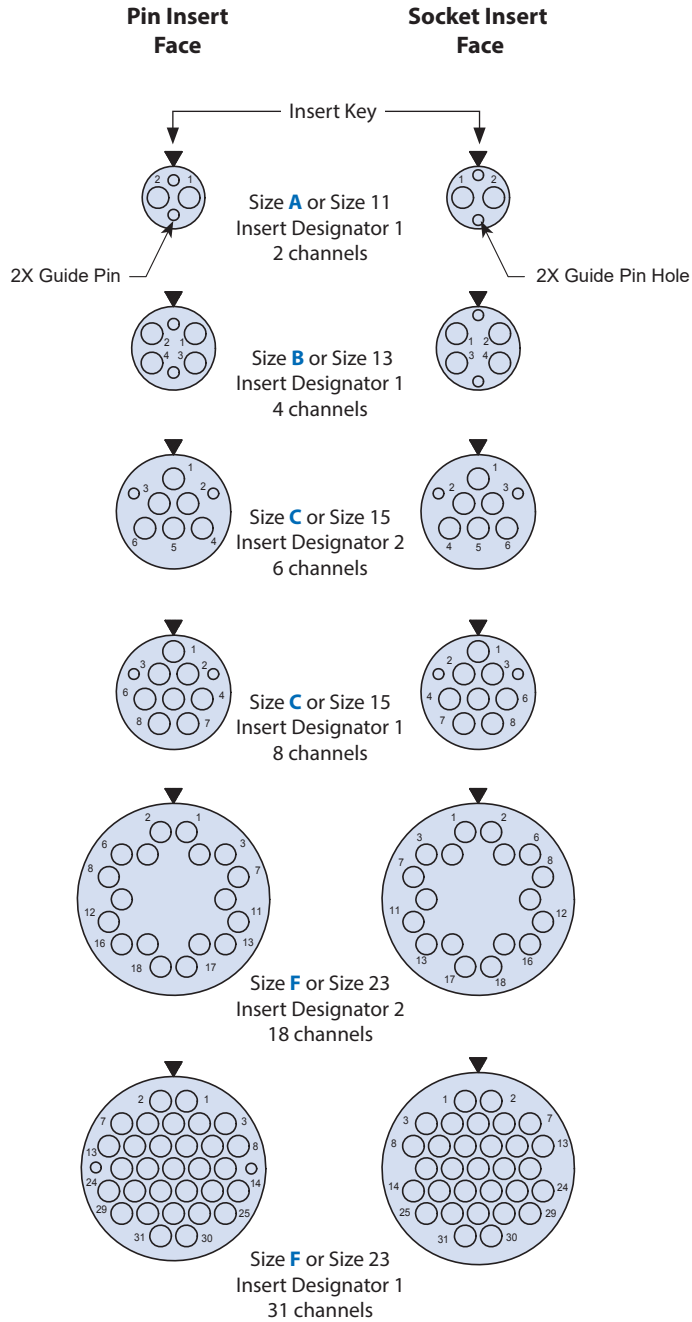
Table III: Keying Position

Shell Size	Key Position	A°	B°	C°	D°
11 and 13	0*	-	-	-	-
	1	95	141	208	236
	2	113	156	182	292
	3	90	145	195	252
	4	53	156	220	255
	5	119	146	176	298
	6	51	141	184	242
15 and 23	0*	-	-	-	-
	1	80	142	196	293
	2	135	170	200	310
	3	49	169	200	244
	4	66	140	200	257
	5	62	145	180	280
	6	79	153	197	272

*0 indicates universal keying arrangement and is available on commercial equivalent plug connector only.

J

Insert arrangements for MIL-PRF-28876 (180-040) fiber optic connectors





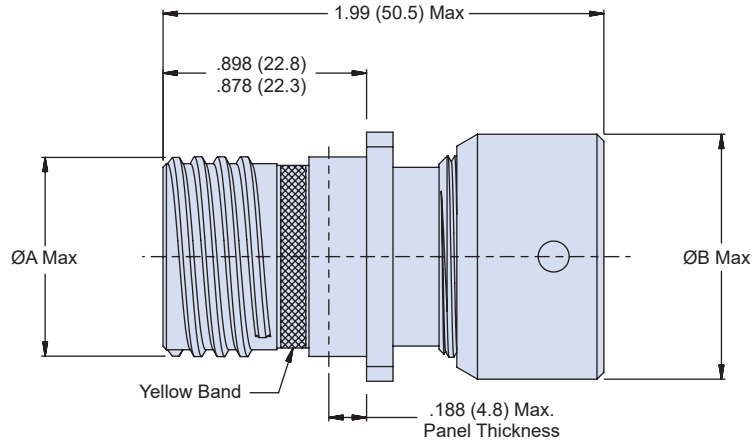
MIL-PRF-28876 QPL wall mount receptacle connector



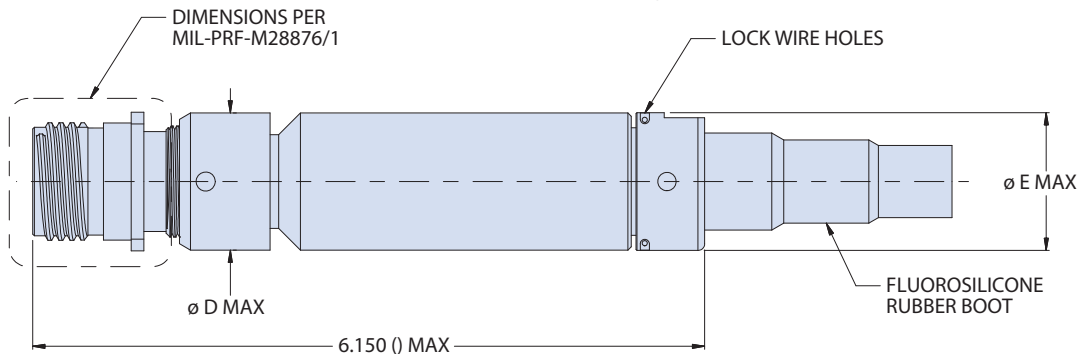
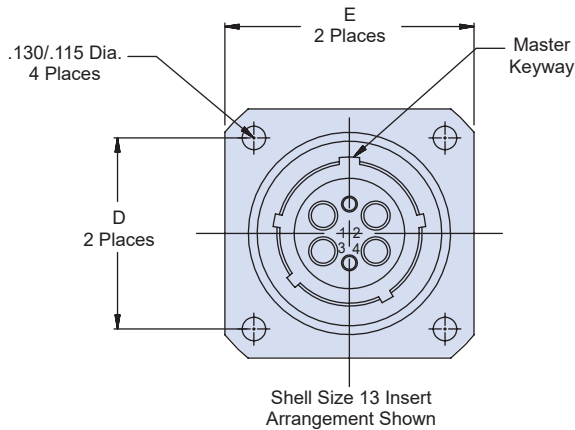
Receptacle without backshell



Receptacle with straight backshell



M28876/1 • 180-040(-03)
WALL MOUNT RECEPTACLE WITHOUT BACKSHELL



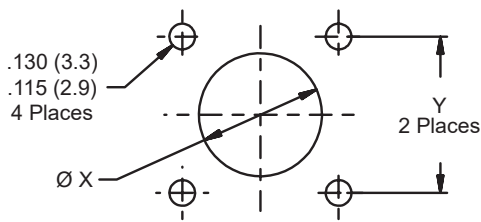
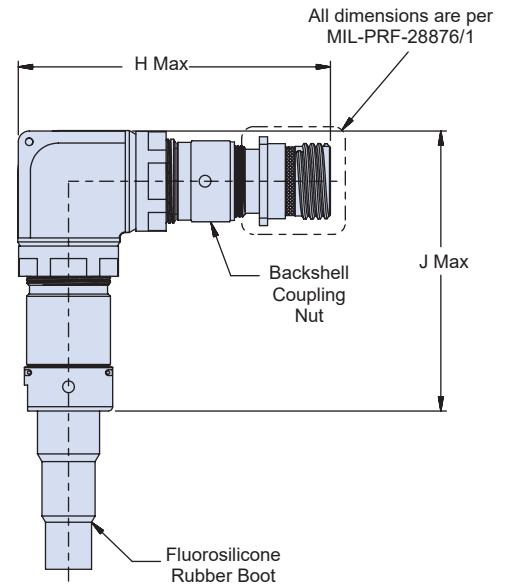
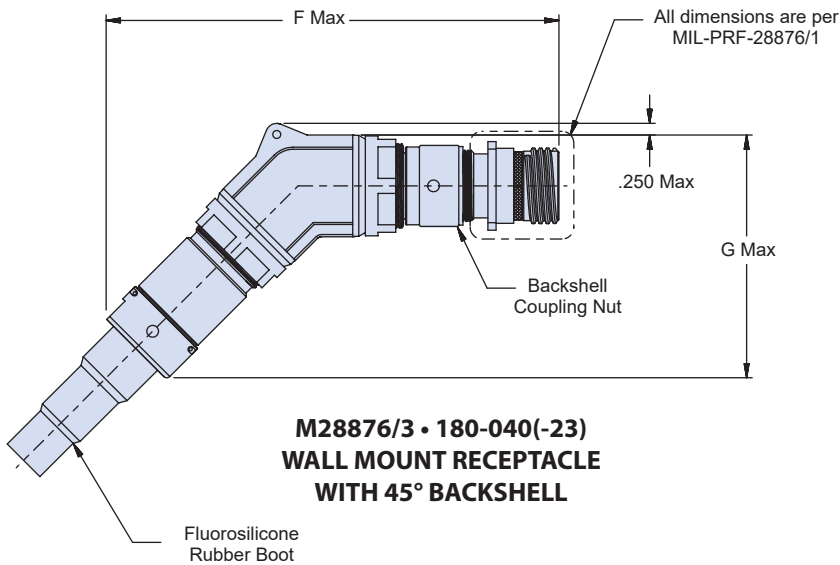
M28876/2 • 180-040(-13)
WALL MOUNT RECEPTACLE WITH STRAIGHT BACKSHELL

M28876 (/1, /2, /3, /4) • 180-040 (-03, -13, -23, -33)
MIL-PRF-28876 Wall Mount Receptacle Connector
 for use with MIL-PRF-29504/14 and /15 Termini



MIL-PRF
28876

Table I									
Shell Size	ØA Max	ØB Max	ØC Max	D	E ±.020	F Max.	G Max.	H Max.	J Max.
11	0.750 (19.1)	0.960 (24.4)	0.960 (24.4)	0.750 (19.1)	1.022 (26.0)	6.150 (156.2)	3.540 (89.9)	4.250 (108.0)	4.250 (108.0)
13	0.875 (22.2)	1.085 (27.6)	1.085 (27.6)	0.843 (21.4)	1.137 (28.9)	6.220 (158.0)	3.580 (90.9)	4.250 (108.0)	4.250 (108.0)
15	1.062 (27.0)	1.255 (31.9)	1.257 (31.9)	0.968 (24.6)	1.257 (31.9)	6.500 (165.1)	3.850 (97.8)	4.500 (114.3)	4.500 (114.3)
23	1.500 (38.1)	1.695 (43.1)	1.763 (44.8)	1.281 (32.5)	1.718 (43.6)	7.500 (190.5)	5.000 (127.0)	5.000 (127.0)	5.000 (127.0)



Recommended Panel Cutout
(Wall Mounting)

Table II		
Shell Size	Ø X ± .005 (0.13)	Y ± .005 (0.13)
11	.812 (20.6)	.750 (19.1)
13	.937 (23.8)	.843 (21.4)
15	1.124 (28.6)	.968 (24.6)
23	1.562 (39.7)	1.281 (32.5)

M28876

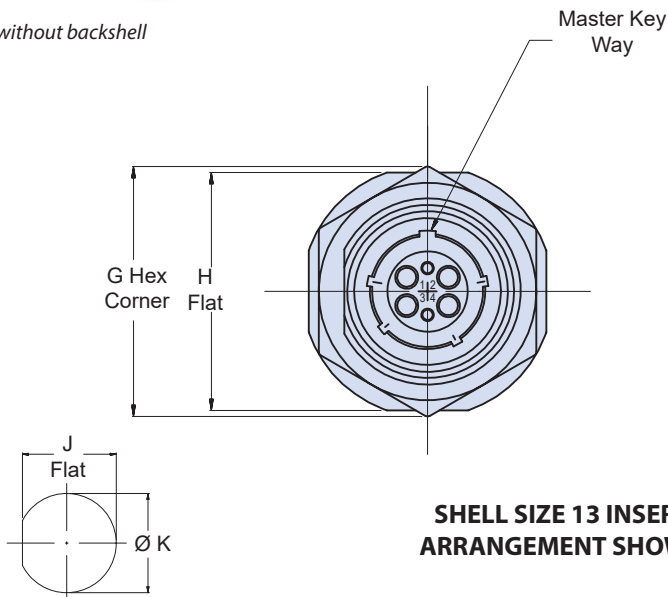
MIL-PRF-28876 QPL jam nut receptacle connector



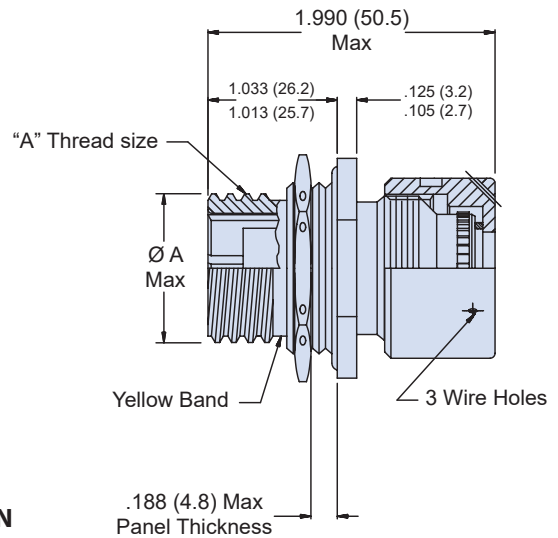
Table I							
Shell Size	G Max	H ± .010 (0.3)	J ± .005 (0.1)	Ø K ± .005 (0.1)	Ø C Max	Ø L Max	Ø A Max
11	1.290 (32.8)	1.264 (32.1)	.848 (21.5)	.885 (22.5)	.960 (24.4)	.960 (24.4)	.750 (19.1)
13	1.435 (35.9)	1.389 (35.3)	.973 (24.7)	1.010 (25.7)	1.085 (27.6)	1.085 (27.6)	.875 (22.2)
15	1.650 (41.9)	1.577 (40.1)	1.160 (29.5)	1.198 (30.4)	1.255 (31.9)	1.255 (31.9)	1.062 (27.0)
23	2.093 (53.2)	2.004 (50.9)	1.593 (40.5)	1.635 (41.5)	1.695 (43.1)	1.763 (44.8)	1.500 (38.1)

C

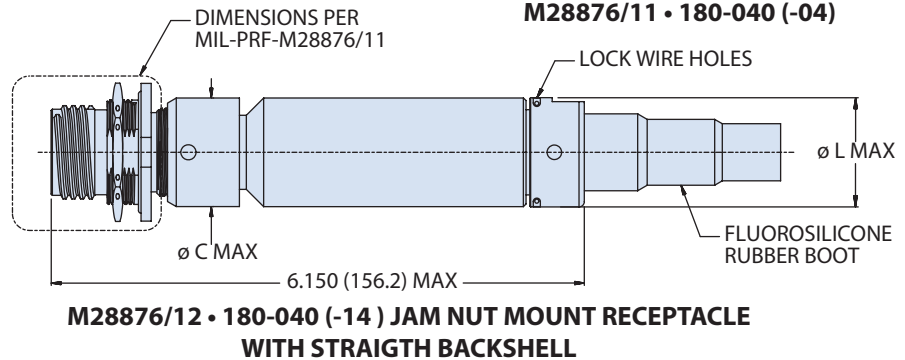
Receptacle without backshell



Recommended Panel Cutout
(Jam Nut Mounting)
As Viewed from Face of Panel



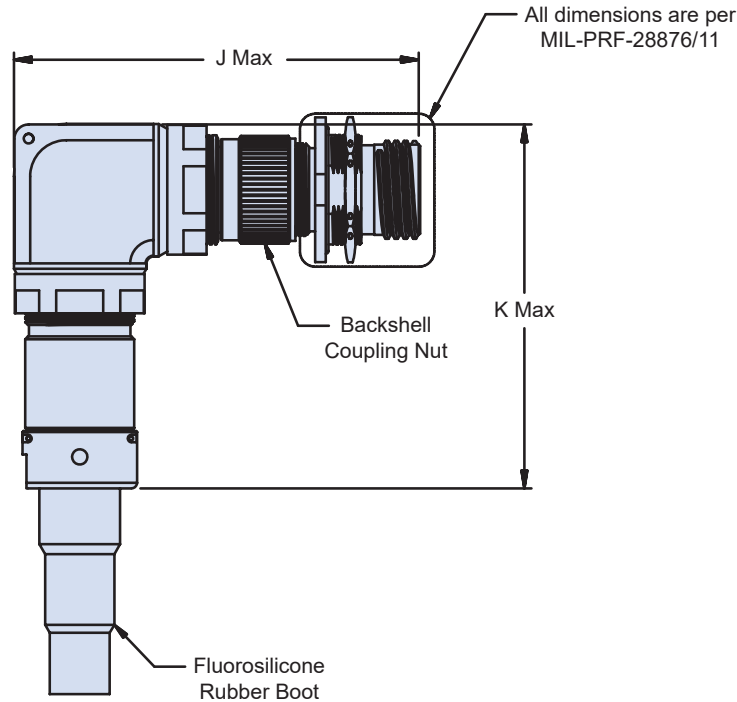
04 - JAM NUT MOUNT RECEPTACLE WITHOUT BACKSHELL
M28876/11 • 180-040 (-04)



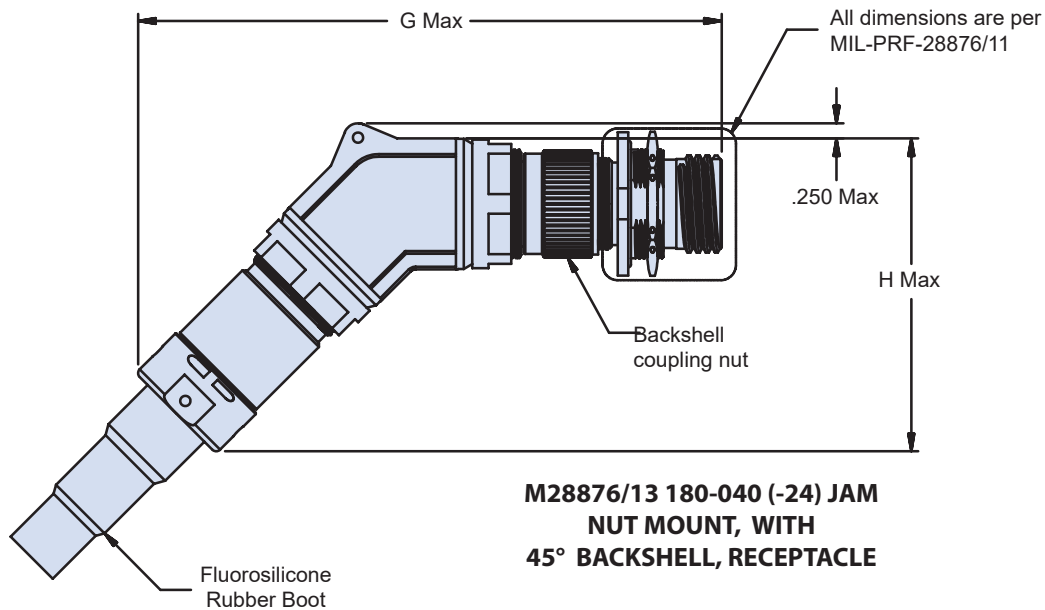
M28876 (/11, /12, /13, /14) • 180-040 (-04, -14, -24, -34)
MIL-PRF-28876 Jam Nut Mount Receptacle Connector
 for use with MIL-PRF-29504/14 and /15 Termini



MIL-PRF
28876



M28876/14 180-040 (-34) JAM NUT MOUNT, WITH 90° BACKSHELL, RECEPTACLE



M28876/13 180-040 (-24) JAM NUT MOUNT, WITH 45° BACKSHELL, RECEPTACLE

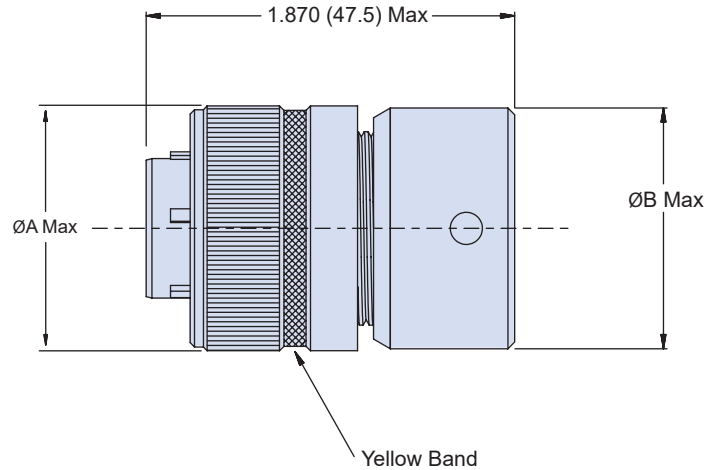
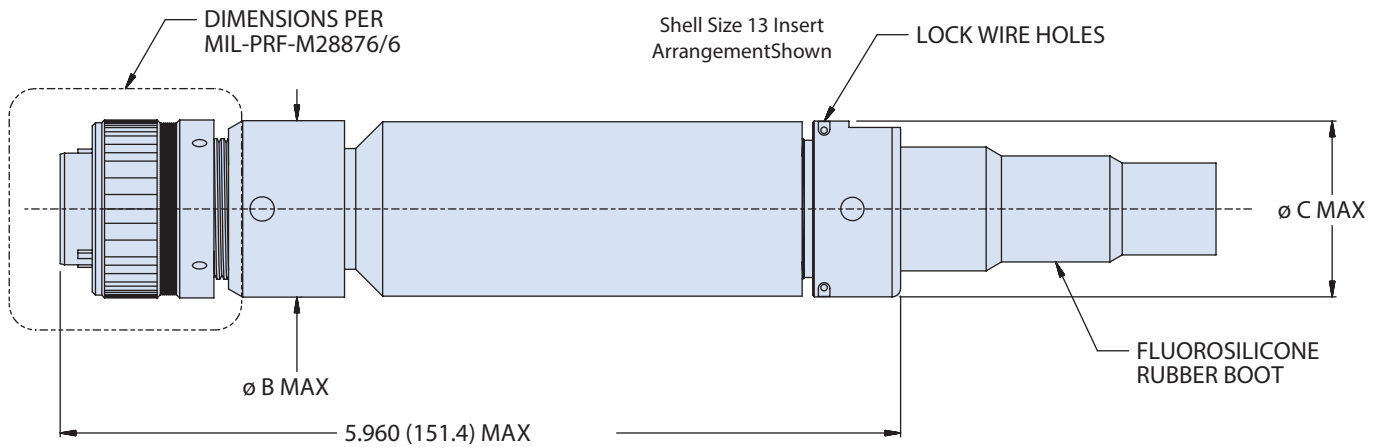
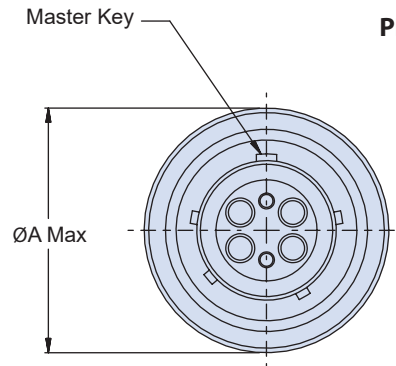
C


MIL-PRF-28876 QPL plug connector


Plug without backshell



Plug with straight backshell


M28876/6 • 180-040 (-06)
PLUG WITHOUT BACKSHELL

M28876/7 • 180-040 (-16) PLUG WITH STRAIGHT BACKSHELL

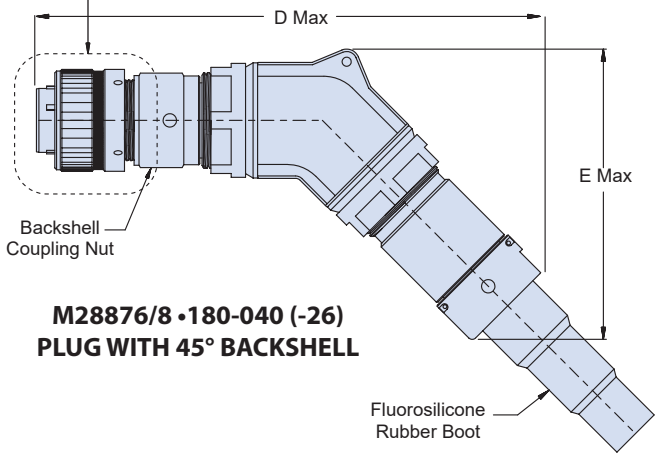
M28876 (/6, /7, /8, /9) • 180-040 (-06, -16, -26, -36)
MIL-PRF-28876 Plug Connector
 for use with MIL-PRF-29504/14 and /15 Termini



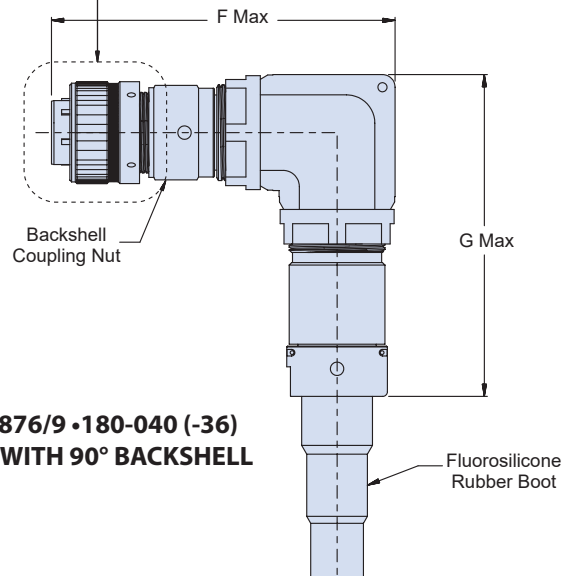
MIL-PRF
28876

Table I							
Shell Size	ØA Max	ØB Max	ØC Max	D Max	E Max	F Max	G Max.
11	1.028 (26.1)	0.960 (24.4)	0.960 (24.4)	6.090 (154.7)	3.540 (89.9)	4.190 (106.4)	4.250 (108.0)
13	1.141 (29.0)	1.085 (27.6)	1.085 (27.6)	6.160 (156.5)	3.580 (90.9)	4.190 (106.4)	4.250 (108.0)
15	1.263 (32.1)	1.255 (31.9)	1.255 (31.9)	6.440 (163.6)	3.850 (97.8)	4.440 (112.8)	4.500 (114.3)
23	1.705 (43.3)	1.695 (43.1)	1.763 (44.8)	7.350 (186.7)	5.000 (127.0)	4.850 (123.2)	5.000 (127.0)

All dimensions are per M28876/6



All dimensions are per M28876/6

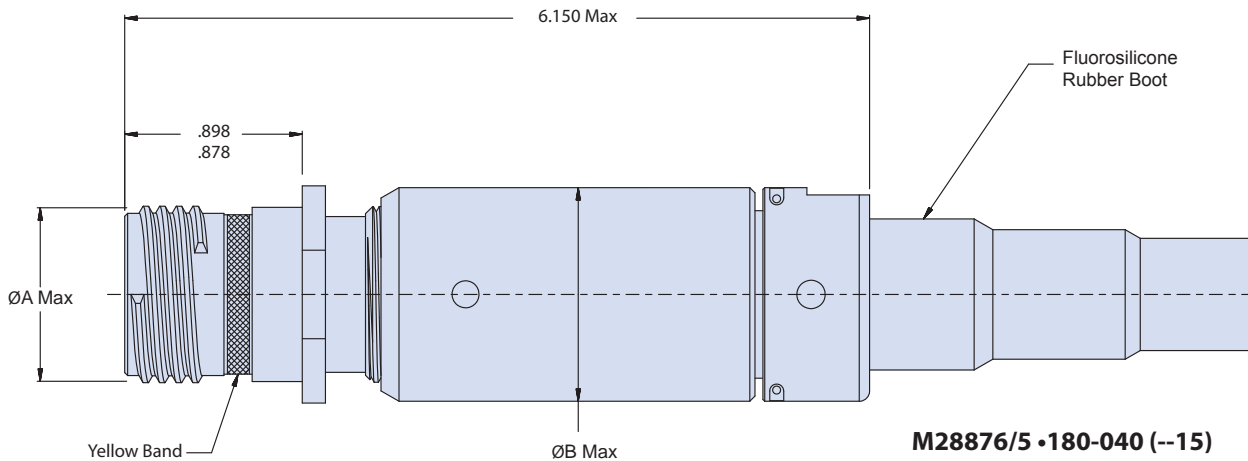
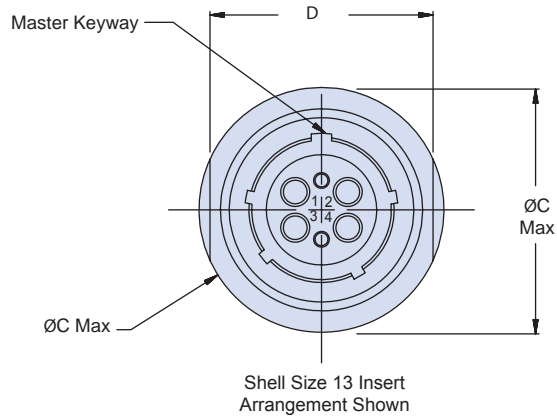




MIL-PRF-28876 QPL in-line receptacle connector

Table I				
Shell Size	ØA Max	ØB Max	ØC Max	D
11	0.750 (19.1)	0.960 (24.4)	0.963 (24.5)	0.768 (19.5)
13	0.875 (22.2)	1.085 (27.6)	1.088 (27.6)	0.893 (22.7)
15	1.062 (27.0)	1.255 (31.9)	1.275 (32.4)	1.080 (27.4)
23	1.500 (38.1)	1.763 (44.8)	1.719 (43.7)	1.518 (38.6)

C



M28876/5 • 180-040 (--15)
IN-LINE RECEPTACLE WITH
STRAIGHT BACKSHELL

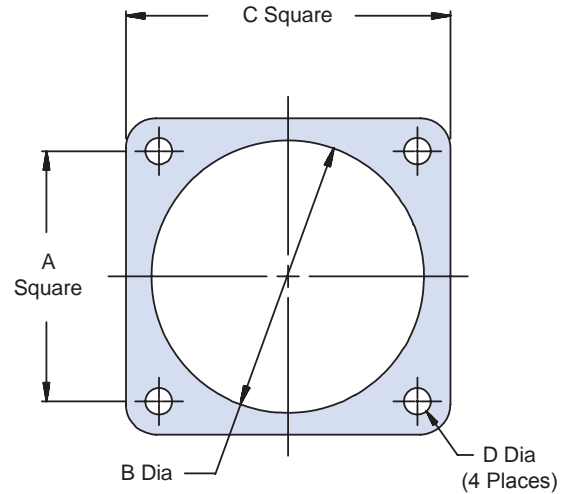
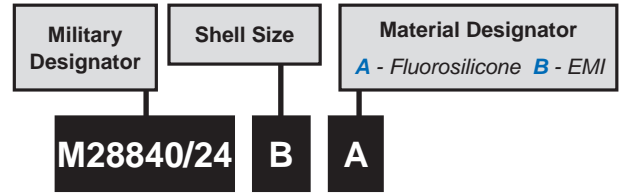
M28840 /24 and 930-006
Square Flange Wall Mount Receptacle Panel Gaskets
 for use with MIL-PRF-28876 (1, 2, 3, 4)
 and 180-040 (-03, -13, -23, -33) Commercial Connectors



MIL-PRF
28876

MIL-PRF square flange wall mount receptacle panel gasket

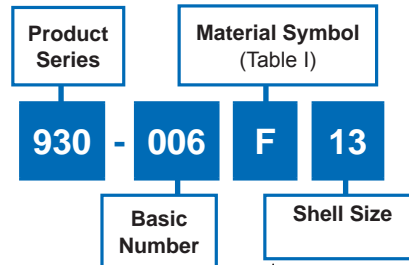
Shell Size	A	B Dia.	C	D Dia.
A (11)	.760 (19.30)	.766 (19.46)	1.039 (26.39)	.130 (3.30) .110 (2.79)
	.740 (18.80)	.750 (19.05)	1.023 (25.98)	
B (13)	.853 (21.67)	.891 (22.63)	1.154 (29.31)	
	.833 (21.16)	.875 (22.22)	1.138 (28.90)	
C (15)	.978 (24.84)	1.078 (27.38)	1.274 (32.36)	
	.958 (24.33)	1.062 (26.97)	1.258 (31.95)	
F (23)	1.291 (32.79)	1.516 (38.51)	1.734 (44.04)	
	1.271 (32.28)	1.500 (38.10)	1.718 (43.64)	



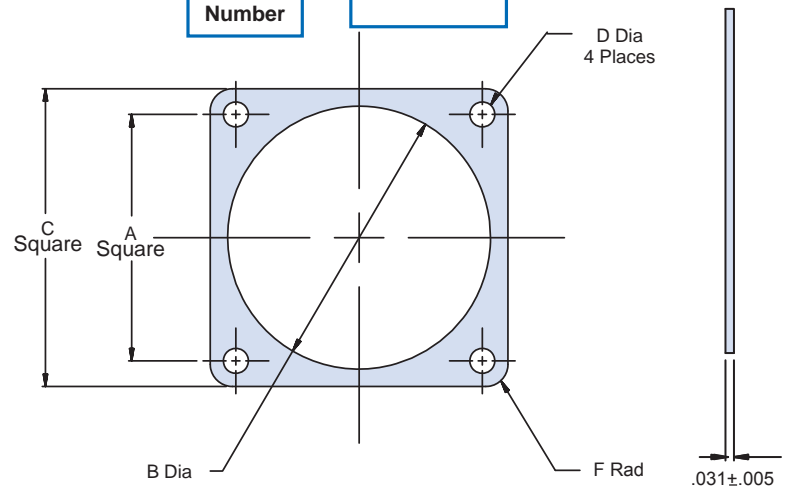
C

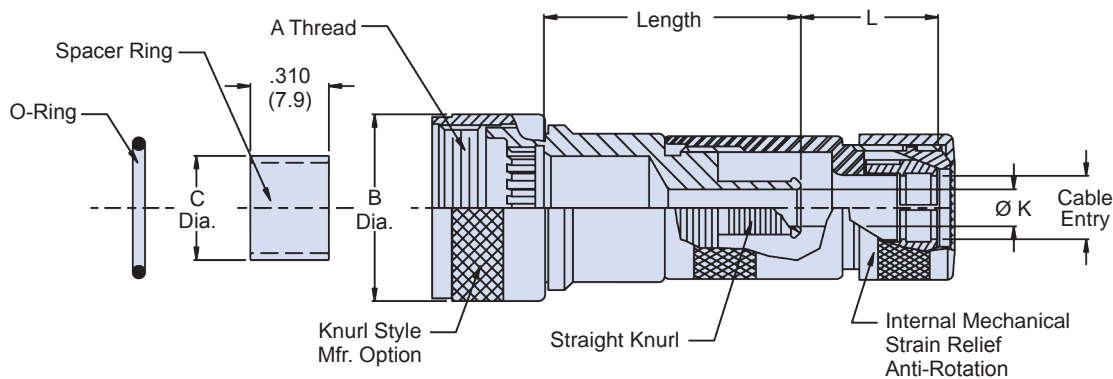
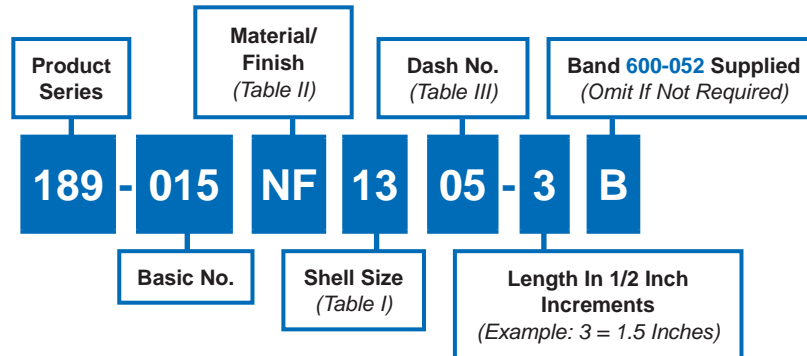
Commercial equivalent square flange wall mount receptacle panel gasket

Symbol	Material Description
F	Fluorosilicone
M	Silver Plated Glass Filled Silicone (EMI)
N	Neoprene



Shell Size	A ± .010	Ø B +.016 -0.000	C +.016 -0.000	Ø D ± .010	F Radius ± .010
11	.750	.750	1.023	.120	.141
13	.843	.875	1.138		
15	.968	1.062	1.258		
23	1.281	1.500	1.718		.188



MIL-PRF-28876 and 189-015 banding backshell
How To Order

Material and Plating

Adapter, Coupling Nut, Spacer Ring see Table II
 Clamp Components: Ryton R 4XT-Black, Ultem 1000-Natural
 Anti-Rotation Device: Torlon 42031-Natural
 O-Ring: Fluorosilicone

Notes

Glenair 600 Series Backshell assembly tools are recommended for assembly and installation. Standard minimum length: 1.5 inches, for shorter length consult factory. Spacer Ring and O-Ring are packaged loose and must be installed with Connector at time of assembly. The spacer is utilized to retain the terminus Insert. For Shield termination see Glenair drawing 600-050 & 600-052. Consult factory for larger cable size. MIL-I-32053/4 & /5 Shrink sleeve to be packaged loose in a plastic bag. MIL-I-32053/4 Shrink Sleeve to be heat shrink over rear of Adapter before MIL-I-32053/5 Shrink Sleeve. For assembly instructions, see GAP-064

189-015

Environmental Banding Backshell
 for Multichannel M85045 Shipboard Fiber Optic Cable
 for Use with MIL-PRF-28876 or Glenair 180-040 Connectors



MIL-PRF
28876

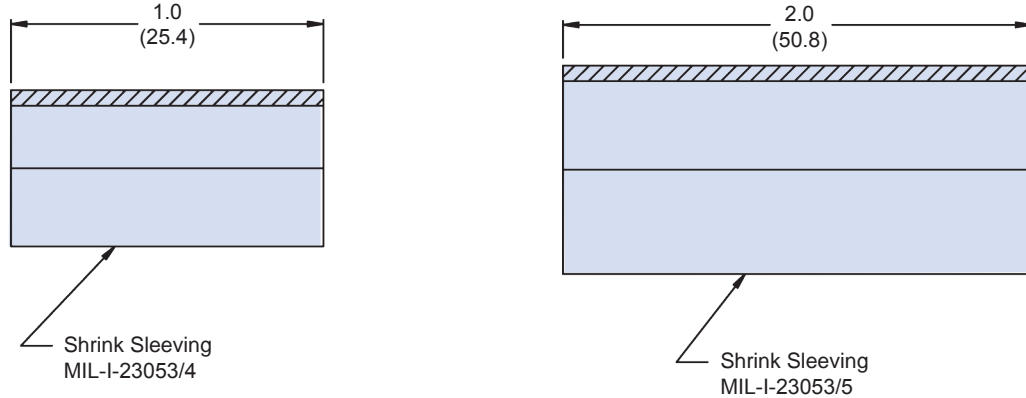


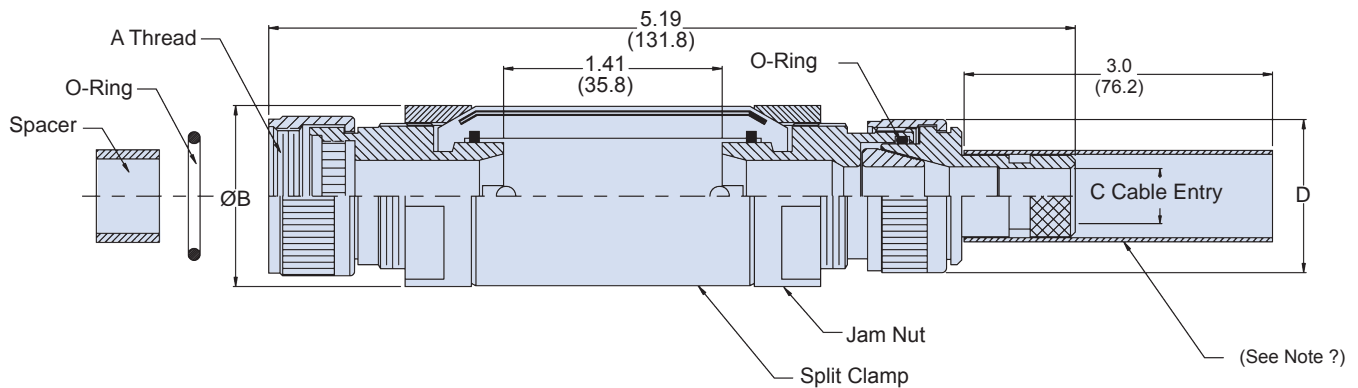
Table I					
Shell Size	Designator (Ref)	A Thread Class 2B	B Max	C Max	Max Dash Number
11	A	3/4 -20 UNEF	1.028 (26.1)	.410 (10.4)	05
13	B	7/8 -20 UNEF	1.141 (29.0)	.532 (13.5)	05
15	C	1 -20 UNEF	1.263 (32.1)	.710 (18.0)	07
23	F	1-7/16 -18 UNEF	1.703 (43.3)	1.116 (28.3)	13

Table II: Material and Finish		
Code	Material	Finish Description
M	Aluminum Alloy	Electroless Nickel
NF		Cadmium/Olive Drab Over Electroless Nickel (500 hour salt spray)

Refer to Appendix for material/finish details

Table III: Cable Entry And Shrink Sleeve Dash Number								
Dash No.	Clamp Size	Cable Dia Max	K Dia ±.005 (0.1)	L Max	MIL-I-23053 Shrink Sleeve	MIL-I-23053 Shrink Sleeve	Cable Entry Dia	
							Minimum	Maximum
05	12	.280 (7.1)	.312 (7.9)	1.11 (28.2)	/4-203-0	/5-107-0	.233 (5.2)	.375 (9.5)
07	16	.395 (10.0)	.438 (11.1)	1.21 (30.7)	/4-204-0	/5-108-0	.358 (8.3)	.500 (12.7)
09	20	.510 (13.0)	.562 (14.3)	1.21 (30.7)	/4-204-0	/5-109-0	.482 (11.5)	.625 (15.9)
11	24	.621 (15.8)	.688 (17.5)	1.21 (30.7)	/4-205-0	/5-106-0	.545 (13.1)	.750 (19.1)
13	28	.736 (18.7)	.812 (20.6)	1.36 (34.5)	/4-205-0	/5-110-0	.670 (16.3)	.875 (22.2)



MIL-PRF-28876 fiber optic backshell
How To Order
Product Series
189
**Material/
Finish
(Table I)**
001
Angular Function
S = Straight
R = 90°
P = 45°
NF
13
S
Basic No.
**Shell Size
(Table II)**

Material and Plating

Adapter, Jam Nut, Ferrule, Coupling Nut, Split Elbows & Spacer: see Table I

O-Rings: Fluorosilicone

Shrink Sleeving: Polyolefin

Spacer: see Table I

Notes

 Glenair 600 Series Backshell assembly tools are recommended for assembly and installation;
 Assembly procedure see GAP014.

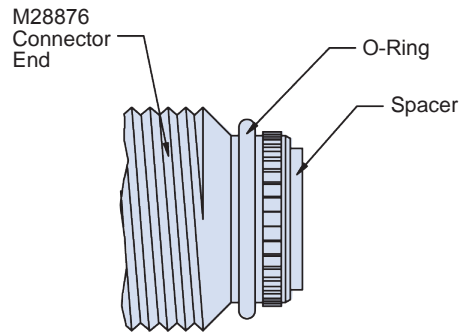
MIL-I-23053/4 Shrink Sleeving, O-Ring and Spacer to be packaged loose in a plastic bag.

Assemble O-Ring and Spacer onto Connector as shown.

189-001
Fiber Optic Backshell With Split Clamp
MIL-PRF-28876 Environmental



MIL-PRF
 28876

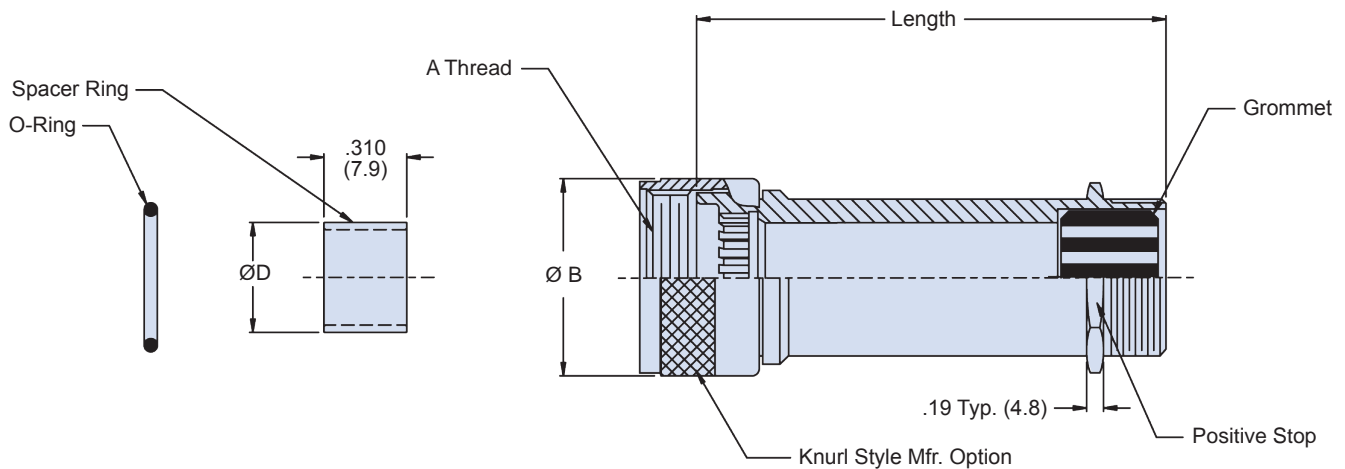
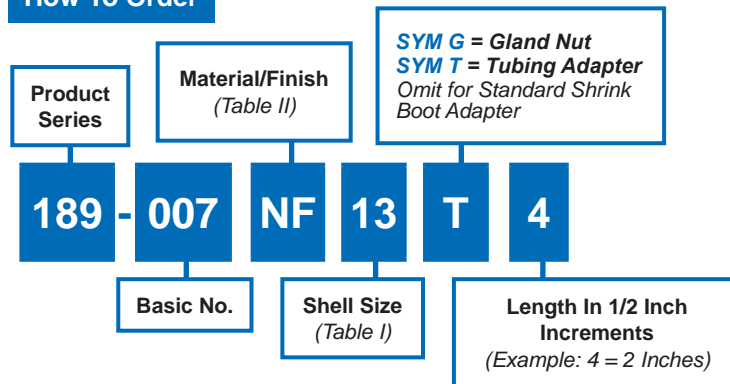


C

Table I: Material and Finish		
Code	Material	Finish Description
M	Aluminum Alloy	Electroless Nickel
NF		Cadmium/Olive Drab Over Electroless Nickel (500 hour salt spray)

Refer to Appendix for material/finish details

Table II				
Shell Size	A Thread	B Max	C Max	D Max
11	.750-20 UNEF	1.17 (29.7)	.340 (8.6)	1.00 (25.4)
13	.875-20 UNEF	1.17 (29.7)	.340 (8.6)	1.00 (25.4)
15	1.00 -20 UNEF	1.42 (36.0)	.460 (11.7)	1.13 (28.7)

MIL-PRF-28876 Fiber-Con backshell
How To Order

Material and Finish

Adapters, Coupling Nuts, Ferrule, Compression Nut, Spacer Ring: see table II
 Grommet: Fluorosilicone
 O-Ring: Fluorosilicone

Notes

Glenair 600 Series Backshell assembly tools are recommended for assembly and installation. Spacer Ring and O-Ring are packaged loose and must be installed with Connector at time of assembly. The Spacer is utilized to retain the Terminus Insert. Standard minimum order is 1.5 inch. Consult factory for shorter length.

189-007
Fiber-Con Backshell
 for MIL-PRF-28876 Connectors



MIL-PRF
28876

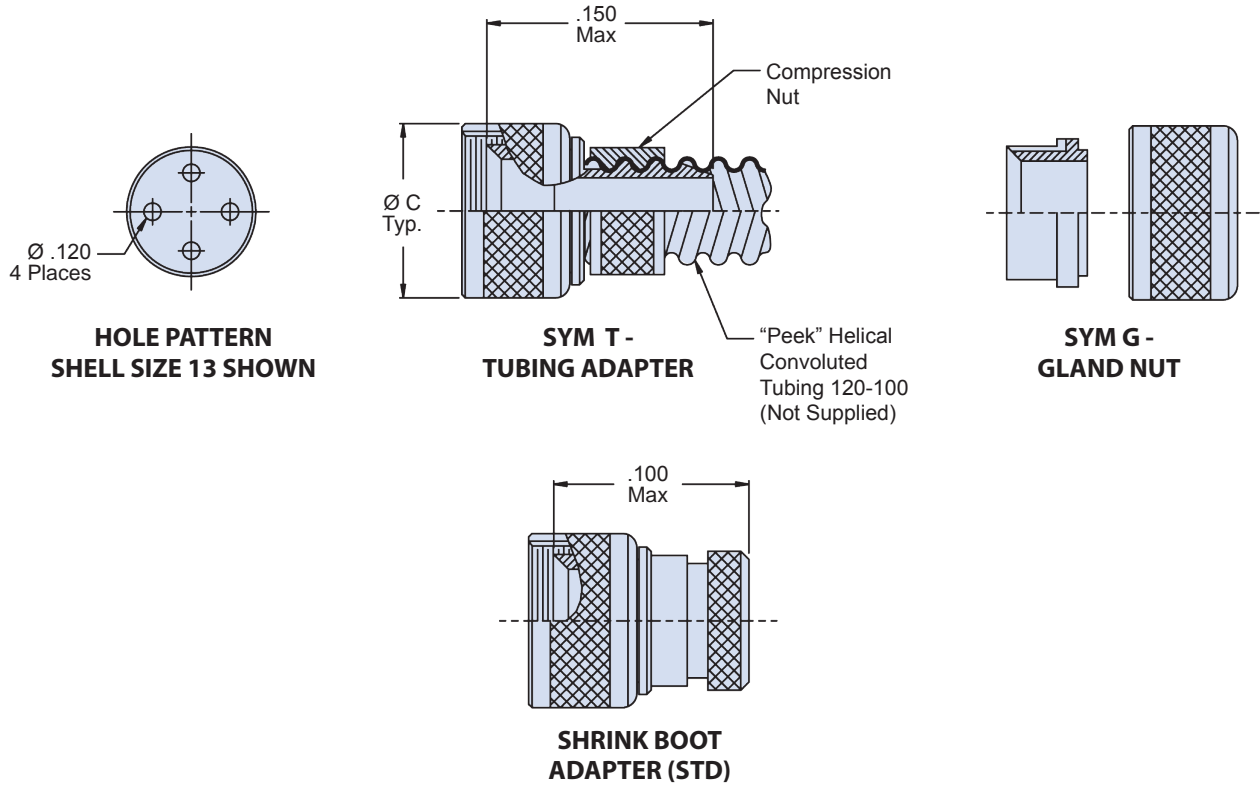


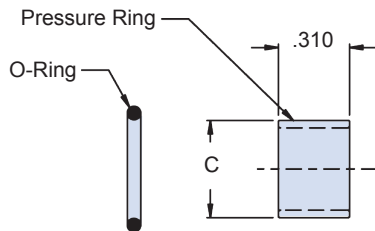
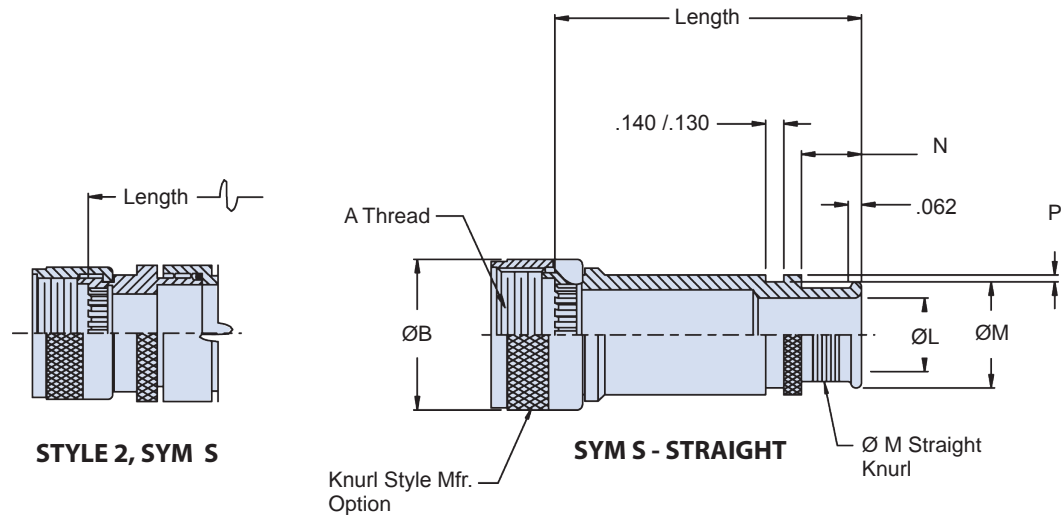
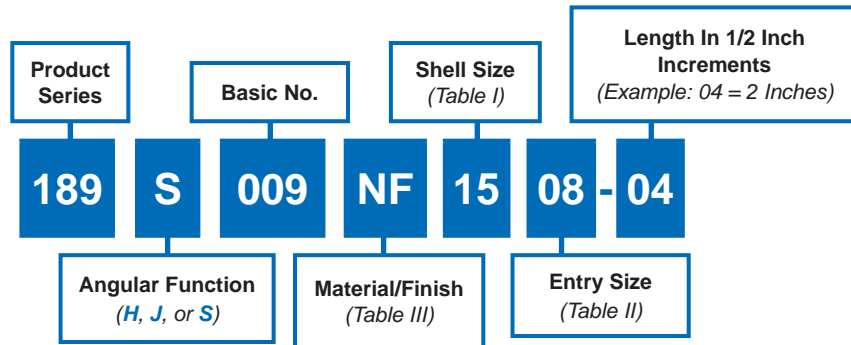
Table I

Shell Size	Designator (Ref)	A Thread Class 2B	B Max	C Max	D Max	Conduit Size	No. Of Holes
11	A	3/4-20 UNEF	1.03 (26.2)	-	.41 (10.4)	12	2
13	B	7/8-20 UNEF	1.14 (29.0)	1.12 (28.4)	.53 (13.5)	16	4
15	C	1-20 UNEF	1.26 (32.0)	1.34 (34.0)	.71 (19.0)	24	8
23	F	17/16-18 UNEF	1.70 (43.2)	1.66 (42.2)	1.12 (28.4)	28	31

Table II: Material and Finish

Code		Finish Description
M	Aluminum Alloy	Electroless Nickel
NF		Cadmium/Olive Drab Over Electroless Nickel (500 hour salt spray)

Refer to Appendix for material/finish details

MIL-PRF-28876 banding backshell/molding adapter
How To Order

Material and Finish

Adapters, Elbows, Coupling Nut, Pressure Ring: see Table II
 Clamp Components: Ryton R 4XT-Black, Ultem 1000-Natural
 O-Ring: Fluorosilicone

Notes

Assembly to be identified with manufacturer's name and P/N, space permitting.
 Standard minimum length for style 1: 1.5 inches, for Style 2: 2 inches.
 Note: Length applies to SYM S, Straight only.
 When cable diameter exceeds inside diameter of Connector Shell, Style 2 will be supplied.
 Glenair 600 Series Backshell assembly tools are recommended for assembly and installation.
 O-Ring and Pressure Ring to be packaged loose and must be installed with Connector at time of assembly.

189-009
Banding Backshell / Molding Adapter
 For MIL-PRF-28876 Connectors



MIL-PRF
 28876

C

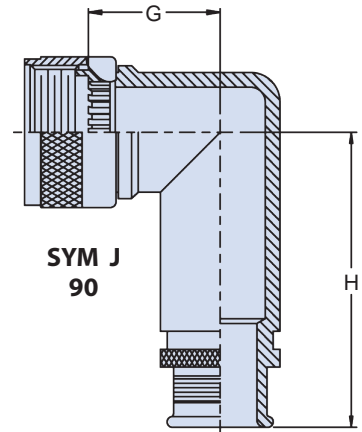
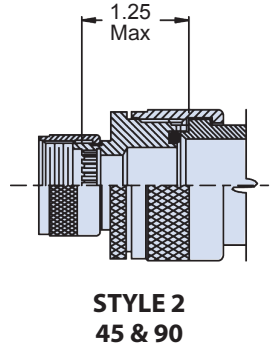
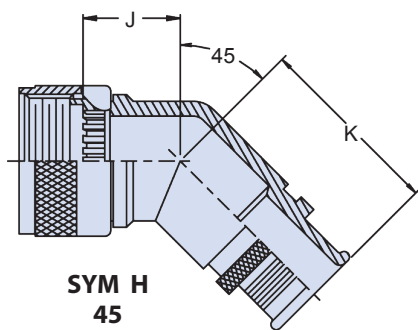


Table I									
Shell Size	Conn. Desig.	A Thread UNEF	ØB Max	ØC Max	G Max	H Max	J Max	K Max	Max Entry
11	A	.750-20	.960 (26.2)	.410 (10.4)	1.28 (32.5)	1.33 (33.8)	1.14 (29.0)	1.19 (30.2)	07
13	B	.875-20	1.09 (29.0)	.532 (13.5)	1.35 (34.3)	1.40 (35.6)	1.17 (29.7)	1.22 (30.1)	08
15	C	1.000-20	1.26 (32.0)	.710 (18.0)	1.43 (36.3)	1.47 (37.3)	1.20 (30.4)	1.25 (31.8)	10
23	F	1.437-18	1.70 (43.2)	1.12 (28.4)	1.64 (41.7)	1.68 (46.7)	1.29 (32.8)	1.33 (33.8)	13

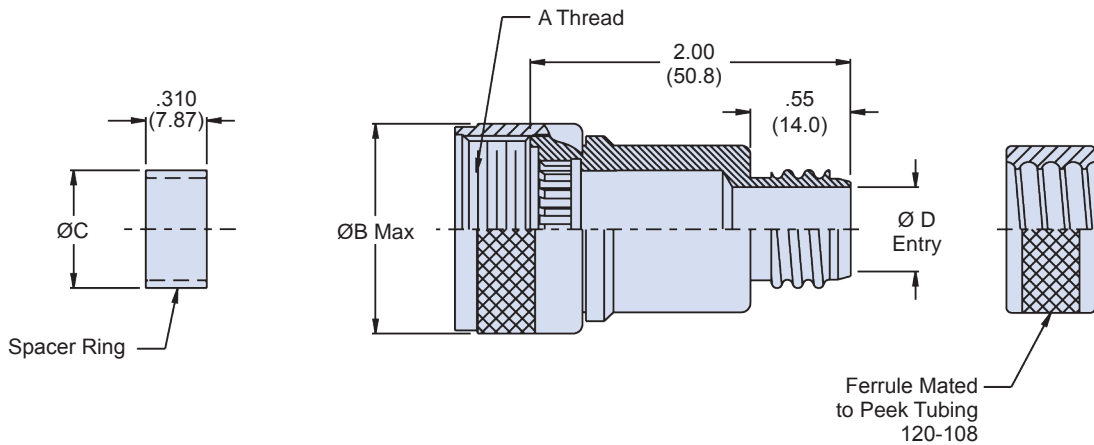
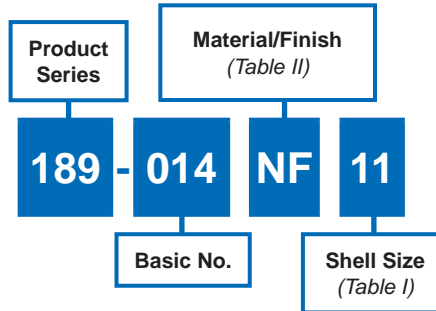
Table II				
Dash No.	P	L Dia.	M Dia.	N
04	.044	.205	.325	.525
05	.044	.235	.355	.525
06	.044	.255	.375	.525
07	.044	.205	.450	.525
08	.044	.330	.580	.600
09	.044	.450	.660	.600
10	.044	.670	.790	.600
11	.044	.840	.960	.600
12	.069	1.080	1.080	.600
13	.069	1.200	1.200	.600

Table III: Material and Finish		
Code	Material	Finish Description
M	Aluminum Alloy	Electroless Nickel
NF		Cadmium/Olive Drab Over Electroless Nickel (500 hour salt spray)

Refer to Appendix for material/finish details

MIL-PRF-28876 backshell

How To Order



Material and Finish

Adapter, Coupling Nut, Ferrule, and Spacer Ring: See Table II

Notes

Spacer Ring is packaged loose and must be installed with Connector at time of assembly to retain Terminus Insert.

For 45° or 90° Backshell option, see Glenair drawing 189-021.

189-014
Backshell for PEEK Convolved Tubing
to be used with MIL-PRF-28876 Fiber Optic Connectors



MIL-PRF
28876



Table I: Shell Size Dash Number

Shell Size	Designator (Ref)	A Thread Class 2B	ØB Max	ØC Max	Ø D Entry	"Peek" Conduit Size	
						Frac. Size	Dash No.
11	A	3/4-20 UNEF	.960 (24.4)	.410 (10.4)	.390 (9.91)	1/2	16
13	B	7/8-20 UNEF	1.09 (27.7)	.532 (13.5)	.390 (9.91)	1/2	16
15	C	1-20 UNEF	1.26 (32.0)	.710 (18.0)	.390 (9.91)	1/2	16
23	F	1 7/16-18 UNEF	1.70 (43.2)	1.12 (28.4)	.890 (22.6)	1	32

Table II: Material and Finish

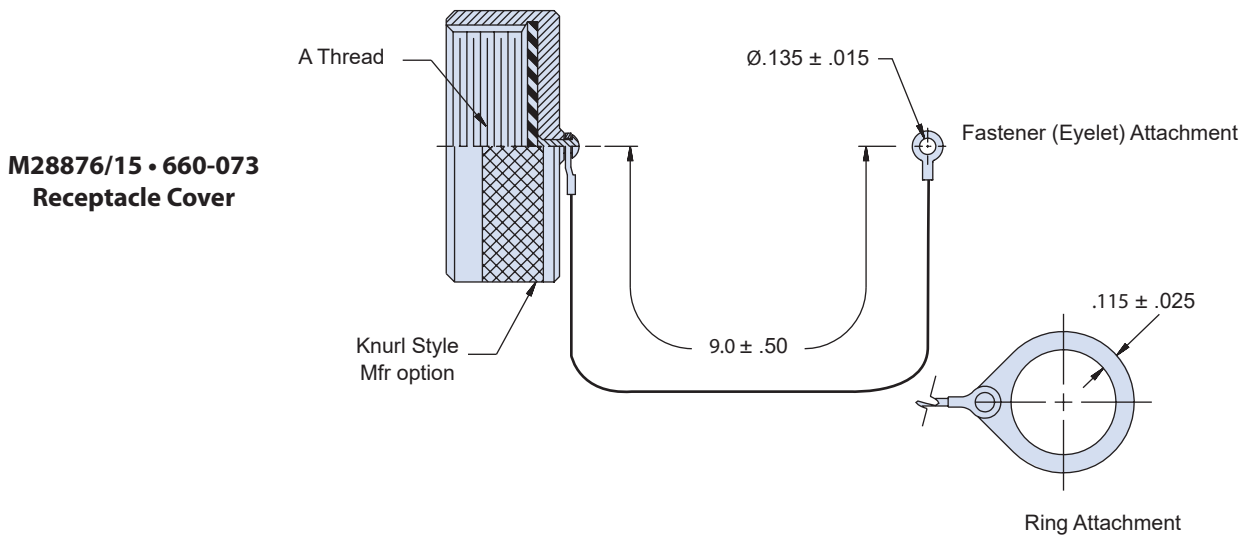
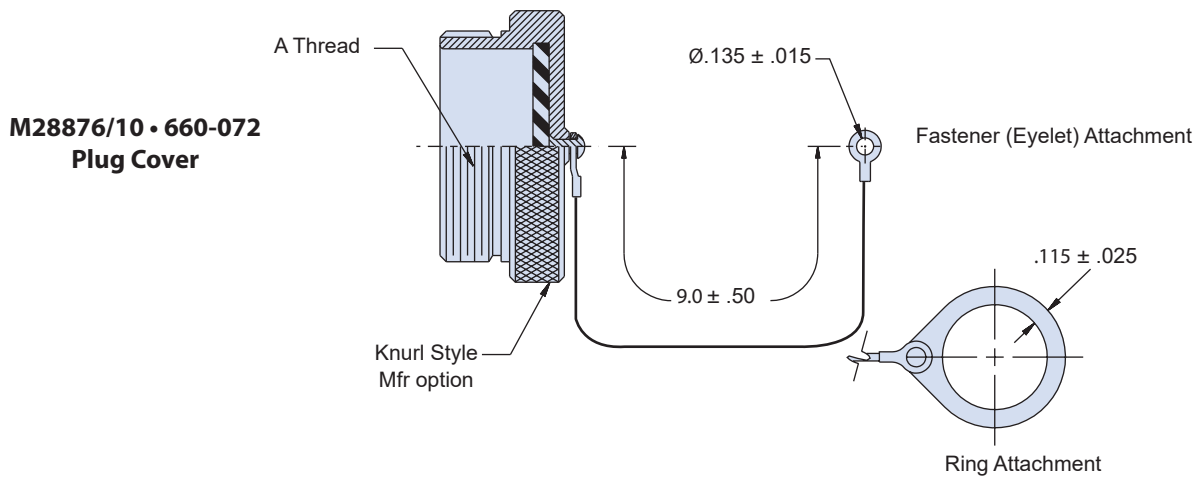
Code	Material	Finish Description
M	Aluminum Alloy	Electroless Nickel
NF		Cadmium/Olive Drab over Electroless Nickel (500 Hour Salt Spray)
Z1	Stainless Steel	Passivate

Refer to Appendix for material/finish details



Plug and receptacle dust covers

Table I: Cover Type		
Connector	MIL-Spec Basic P/N	Glenair Commercial Basic P/N
Plug	M28876/10	660-072
Receptacle	M28876/15	660-073



M28876/10 and M28876/15
660-072 and 660-073
MIL-PRF-28876 Dust Covers



How to order: Military QPL

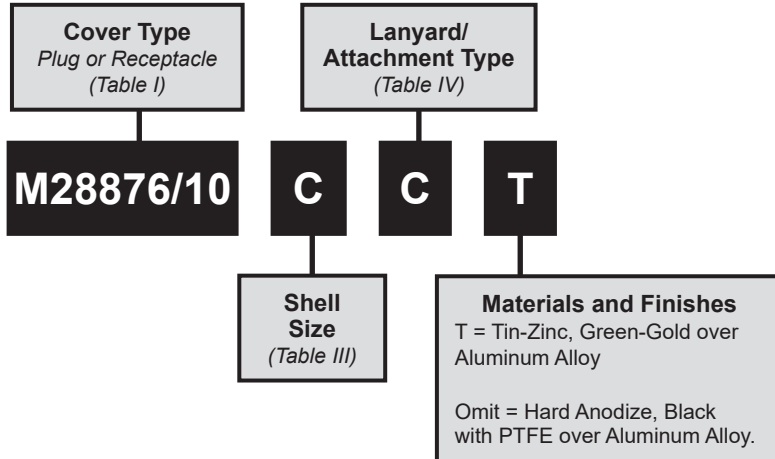


Table II: Material and Finish (Commercial)

Code	Material	Finish Description
GB4	Aluminum Alloy	Hard Anodize, Black with PTFE
M*		Electroless Nickel
ME		Electroless Nickel
NF		Cadmium, Olive Drab
MT		Nickel-PTFE, Grey
TZ		Tin-Zinc, Green-Gold
ZR		Zinc-Nickel, Black

*Inactive for New design. Use "ME" finish. Consult Factory for Additional Options. Refer to Appendix for material/finish details.

Table III: Shell Size (Commercial and MIL-Spec)

Symbol	A Thread
A	.750-0.1P-0.2L-D.S.
B	.875-0.1P-0.2L-D.S.
C	1.062-0.1P-0.2L-D.S.
F	1.500-0.1P-0.2L-D.S.

Table IV: Lanyard/Attachment (MIL-Spec)

Symbol	Description
A	Chain (Sash) with Fastener (Eyelet) Attachment
B	Chain (Sash) with Ring Attachment
C	Wire Rope with Fastener (Eyelet) Attachment
D	Wire Rope with Ring Attachment
E	Without Chain (Sash) or Wire Rope

Table V: Lanyard Type (Commercial)

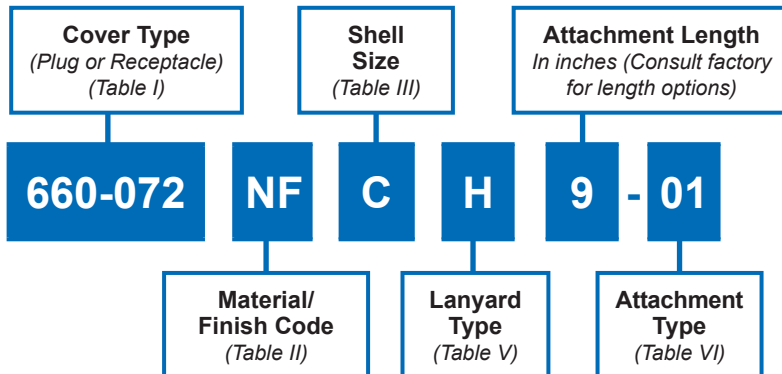
Symbol	Type
H	Wire Rope, Coated
S	Chain (Sash), Passivated
N	No Lanyard

Consult Factory for Additional Options

Table VI: Attachment Type (Commercial)

Shell Size	Attachment Type	Connector Type	Code
A	Ring	Plug	13
		Recp	15
B	Ring	Plug	15
		Recp	17
C	Ring	Plug	17
		Recp	20
F	Ring	Plug	23
		Recp	27
All	Fastener (Eyelet)	All	01

How To Order: Glenair Commercial



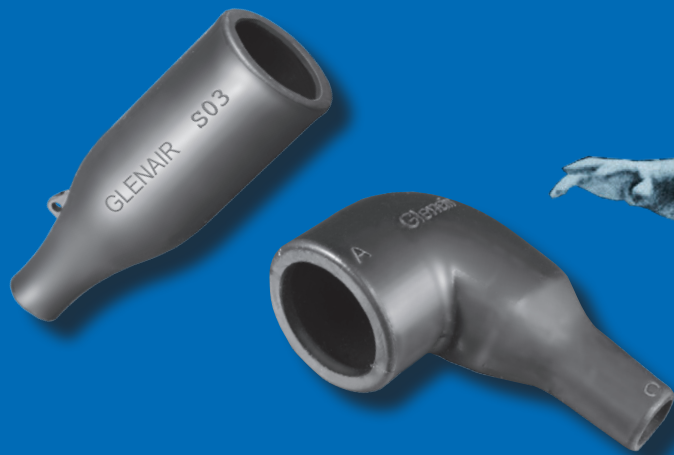
SERIES 77

FULL NELSON

Heat Shrink Boots

Outstanding Environmental and Mechanical Protection

*“Think he’ll ever break that hold?
Nope. He’s got him in a Full Nelson!”*



Nothing conjures up the image of an unbreakable hold like a Standing Full Nelson. Properly applied, this classic Greco-Roman wrestling move is simply unbeatable. We'd like to think the same holds true for our Series 77 *Full Nelson* Environmental Shrink Boots. Properly applied, Series 77 boots provide a dependable, leak-proof seal for interconnect cable assemblies. Optional adhesive coatings on the inside of the boot provide a watertight, high-

strength bond to the cable jacket and the connector or adapter. And the Glenair shape-memory boot material formula works every time. So if you're worried about sealing effectiveness, if you want long-lasting environmental protection, if you want an ingress prevention solution that won't lose its grip after years and years of service, get a Series 77 *Full Nelson*—the environmental shrink boot with the iron grip of a championship wrestler.



Glenair's CSGA Provide 360° EMI/EMP Grounding the First Time...and Every Time

Our line of **Cable Shield Grounding Assemblies** are available in male, female and split versions and provide completely reliable 360° grounding of shielded cables to above deck stuffing tubes and swage tubes.

Glenair's CSGA are designed to insure both reliable EMI/EMP shielding as well as strict environmental protection. Glenair's CSGA meet MIL-STD 1310 grounding requirements

and NAVSEA 803-5001-27 sealing requirements. Glenair CSGA are available in 18 sizes to accommodate stuffing tube sizes A through V.

Supplied in kit form, each CSGA includes the complete grounding assembly as well as an adhesive-coated heat shrinkable sleeve and Permatex 133A antisieze compound. Products meet NAVSEA requirements.

Temperature Rating: -55° C to 90° C
Minimum Shrink Temperature: 121° C
CSGA Material: 6061-T6 Aluminum*
Finish: Electroless Nickel*



*Available in Passivated 316 Stainless Steel

Attention: Do Not Disassemble The Unit

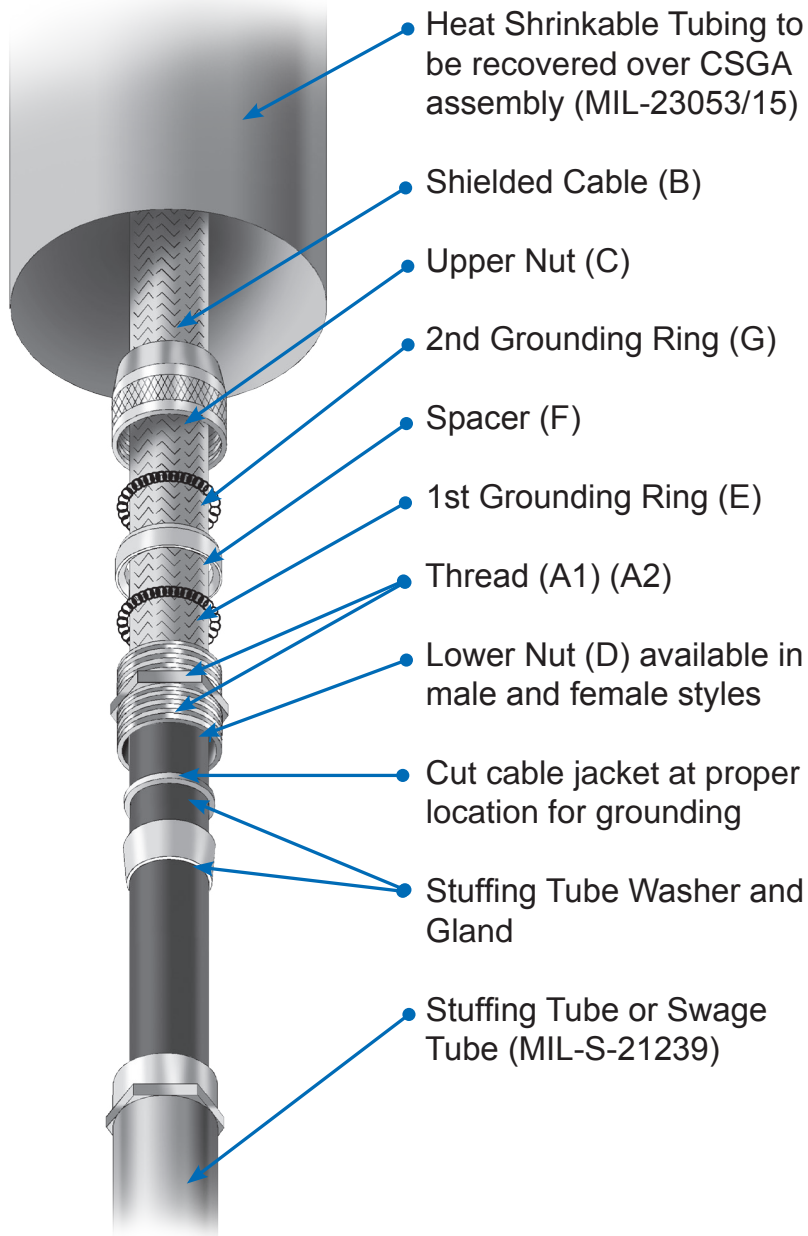
1. Prior to pulling the cable through the stuffing tube, remove and discard the gland nut and replace with the grounding assembly, lightly threading the assembly onto the tube (the assembly must match the tube size, i.e., A, B, C, etc.). Slide the tubing over the grounding assembly.
2. Pull the cable (B) through the grounding assembly and tubing, using care to prevent damage to internal components.
3. Permanently install the cable in place and tighten all hangers.
4. Slide the tubing up the cable, away from the grounding assembly. Unscrew the grounding assembly and move it several inches up the cable. Separate the lower nut (D) from the upper nut (C).
5. Pack the stuffing tube, as required, using the original slip washer and packing gland. Apply anti-seize compound per MIL-T-22361 (FSN 8030-00-22-1102) to threads (A1) and tighten the lower nut (D) as required for packing.
6. Abrade the cable for approximately 6" above the lower nut (D).
7. Drop the 1st grounding ring (E), spacer (F), and the 2nd grounding ring (G) down on top of the lower nut (D). Mark the cable at top of the 2nd grounding ring (G), slide the components up the cable and remove the outer jacket from the mark to the top of the lower nut (D).
8. Apply a coating of anti-seize to the exposed threads (A2). Reassemble the components (E, F, & G) on the exposed shield.
9. Lower the upper nut (C) and hand-tighten firmly.
10. Slide the tubing down the cable and center it over the grounding assembly. Be sure the tubing overlaps the stuffing tube and onto the cable beyond the boot. Apply heat from the center of the tubing towards the ends to ensure even shrinkage. The sealant will flow from the ends of the tubing when recovery is complete.

NOTE: *This method of cable grounding applies to new installation and to retrofit cables that can be removed and routed through the grounding assembly.*

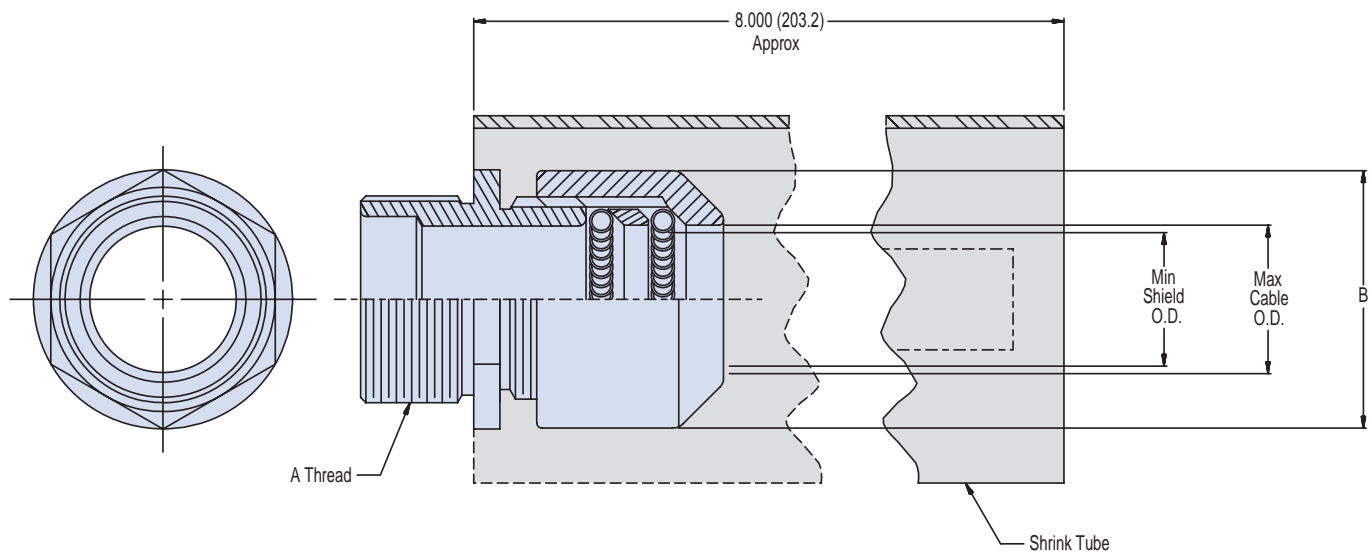
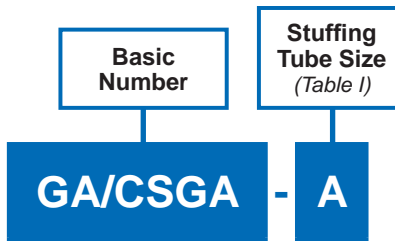
Cable Shield Grounding Assembly Installation Instructions



CSGA



D



APPLICATION NOTES

1. Assembly identified with manufacturer's code identification number (Glenair, part number and classification code 490).
2. Glenair series 600 backshell assembly tools are recommended for assembly and installation.
3. Material / Finish:
Adapters - Al alloy/cad/O.D. over electroless nickel (500 hr salt spray).
Ferrule, grounding spring - CRES/passivate.
Tubing - Heat shrinkable, flame retardant, with adhesive.
4. Metric dimensions (mm) are indicated in parentheses.

**GA/CSGA
Male
Cable Shield Grounding Assembly**

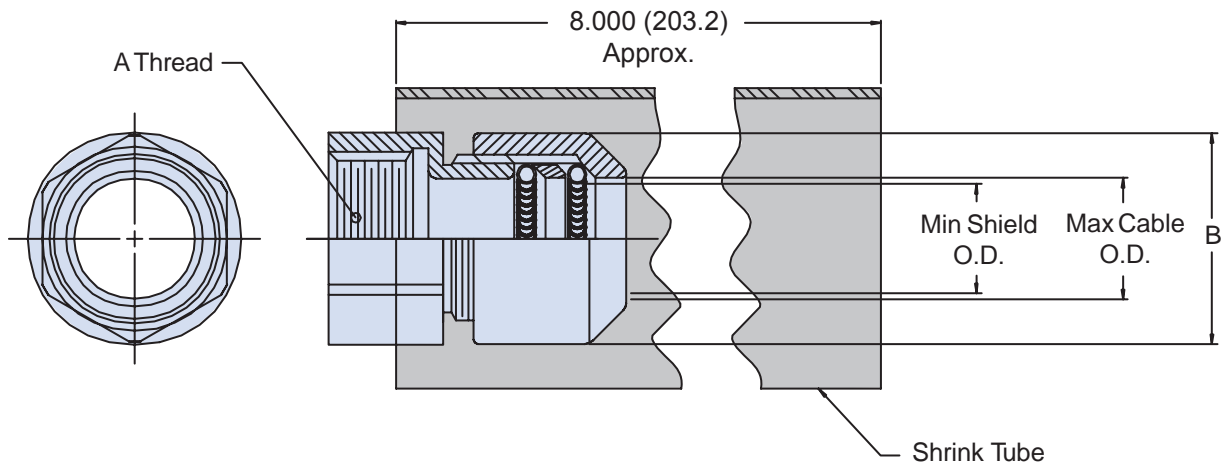
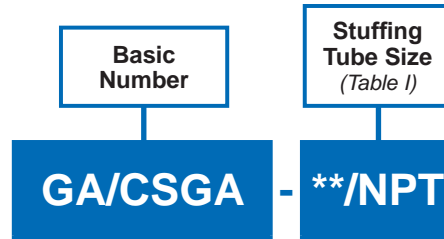


CSGA

TABLE I: Stuffing Tube Size and Adapter Dimensions

Glenair Part No.	A Thread	Max Cable O.D.	Min Shield O.D.	B Max	Shrink Tube Number
GA/CSGA-A (sm)	7/8 -12 UN	.250 (6.4)	.125 (3.2)	1.120 (28.4)	HRSR 125
GA/CSGA-A	7/8 -12 UN	.406 (10.3)	.200 (5.1)	1.120 (28.4)	
GA/CSGA-B	1 -12 UN	.515 (13.1)	.260 (6.6)	1.120 (28.4)	
GA/CSGA-C	1 1/8 -12 UN	.640 (16.3)	.400 (10.2)	1.320 (33.5)	HRSR 175
GA/CSGA-D	1 1/4 -12 UN	.750 (19.1)	.400 (10.2)	1.630 (41.4)	
GA/CSGA-E	1 1/4 -12 UN	.812 (20.6)	.430 (10.9)	1.630 (41.4)	
GA/CSGA-F	1 5/16 -12 UN	.843 (21.4)	.470 (11.9)	1.750 (44.5)	HRSR 200
GA/CSGA-G	1 1/2 -12 UN	.953 (24.2)	.580 (14.7)	1.880 (47.8)	
GA/CSGA-J	1 5/8 -12 UN	1.062 (27.0)	.690 (17.5)	1.880 (47.8)	
GA/CSGA-K	1 3/4 -12 UN	1.172 (29.8)	.800 (20.3)	2.060 (5.2)	HRSR 250
GA/CSGA-L	1 13/16 -12 UN	1.265 (32.1)	.890 (22.6)	2.180 (55.4)	
GA/CSGA-M	2 -12 UN	1.406 (35.7)	1.010 (25.7)	2.320 (58.9)	
GA/CSGA-N	2 1/16 -12 UN	1.515 (38.5)	1.130 (28.7)	2.380 (60.5)	
GA/CSGA-P	2 3/16 -12 UN	1.625 (41.3)	1.200 (30.5)	2.440 (62.0)	
GA/CSGA-R	2 5/16 -12 UN	1.750 (44.5)	1.250 (31.8)	2.750 (69.9)	HRSR 300
GA/CSGA-S	2 11/16 -12 UN	1.875 (47.6)	1.380 (35.1)	2.880 (73.2)	
GA/CSGA-T	2 7/8 -12 UN	2.062 (52.4)	1.560 (39.6)	3.130 (79.5)	HRSR 400
GA/CSGA-V	3 -12 UN	2.187 (55.5)	1.690 (42.9)	3.250 (82.6)	

D



APPLICATION NOTES

1. Assembly identified with manufacturer's code identification number (Glenair, part number and classification code 490).
2. Glenair series 600 backshell assembly tools are recommended for assembly and installation.
3. Material / Finish:
Adapters - Al alloy/cad/O.D. over electroless nickel (500 hr salt spray).
Ferrule, grounding spring - CRES/passivate.
Tubing - Heat shrinkable, flame retardant, with adhesive.
4. Metric dimensions (mm) are indicated in parentheses.

*Available in Passivated 316 Stainless Steel, add 49A to end of part number.

GA/CSGA-/NPT
Female Pipe Thread
Cable Shield Grounding Assembly**



CSGA

TABLE I

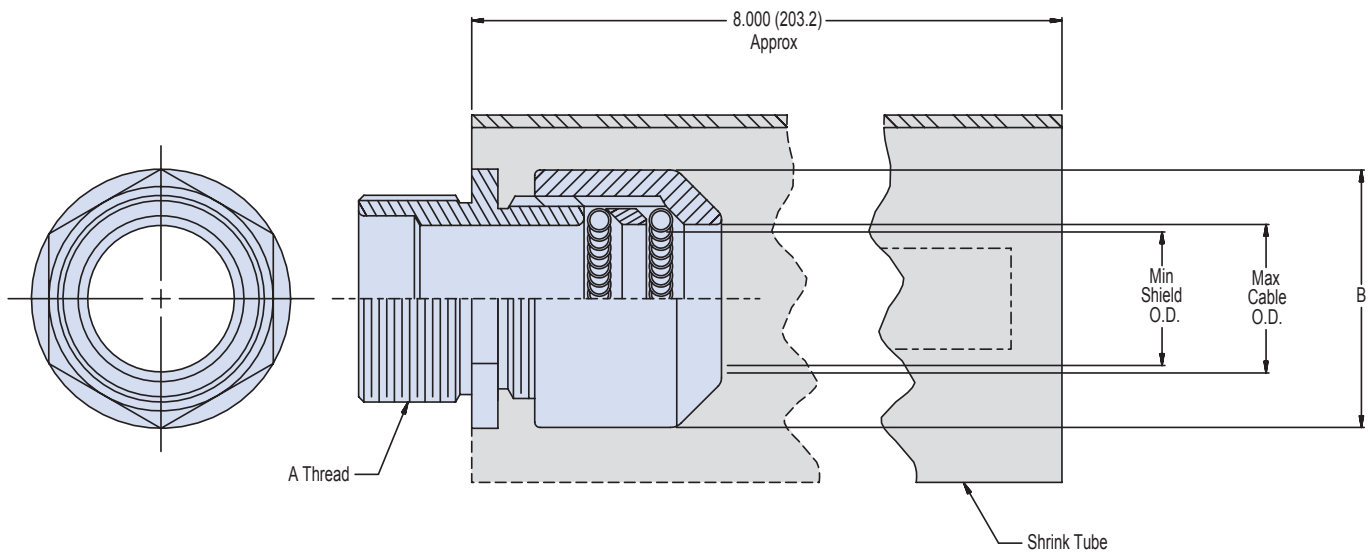
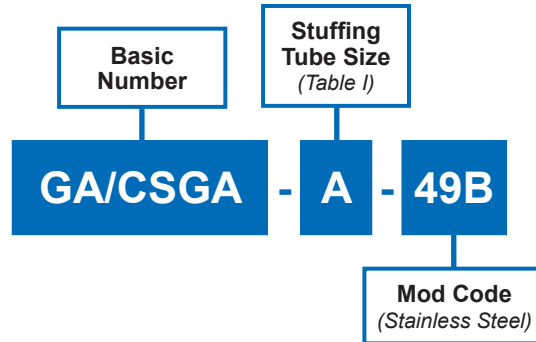
Part Number	A Thread	Max Cable O.D.	Min Shield O.D.	B Max	Shrink Tube Part No.
GA/CSGA-1A/NPT	3/8 - 18 NPT	0.406 (10.3)	0.200 (5.1)	1.12 (28.4)	HRSR 125
GA/CSGA-2B/NPT	1/2 - 14 NPT	0.515 (13.1)	0.260 (6.6)	1.12 (28.4)	
GA/CSGA-3C/NPT	3/4 - 14 NPT	0.640 (16.3)	0.400 (10.2)	1.32 (33.5)	HRSR 175
GA/CSGA-3D/NPT	3/4 - 14 NPT	0.750 (19.1)	0.400 (10.2)	1.63 (41.4)	
GA/CSGA-4E/NPT	1 - 11 1/2 NPT	0.812 (20.6)	0.430 (10.9)	1.63 (41.4)	HRSR 200
GA/CSGA-4F/NPT	1 - 11 1/2 NPT	0.843 (21.4)	0.470 (11.9)	1.75 (44.5)	
GA/CSGA-4G/NPT	1 - 11 1/2 NPT	0.953 (24.2)	0.580 (14.7)	1.88 (47.8)	
GA/CSGA-5J/NPT	1 1/4 - 11 1/2 NPT	1.062 (27.0)	0.690 (17.5)	1.88 (47.8)	HRSR 250
GA/CSGA-5K/NPT	1 1/4 - 11 1/2 NPT	1.172 (29.8)	0.800 (20.3)	2.06 (52.3)	
GA/CSGA-5L/NPT	1 1/4 - 11 1/2 NPT	1.265 (32.1)	0.890 (22.6)	2.18 (55.4)	
GA/CSGA-6M/NPT	1 1/2 - 11 1/2 NPT	1.406 (35.7)	1.010 (25.7)	2.32 (58.9)	HRSR 300
GA/CSGA-6N/NPT	1 1/2 - 11 1/2 NPT	1.515 (38.5)	1.130 (28.7)	2.38 (60.5)	
GA/CSGA-7P/NPT	2 - 11 1/2 NPT	1.625 (41.3)	1.130 (28.7)	2.44 (62.0)	HRSR 400
GA/CSGA-7R/NPT	2 - 11 1/2 NPT	1.750 (44.5)	1.250 (31.8)	2.75 (69.9)	
GA/CSGA-7S/NPT	2 - 11 1/2 NPT	1.875 (47.6)	1.380 (35.1)	2.88 (73.2)	HRSR 400
GA/CSGA-8T/NPT	2 1/2 - 8 NPT	2.062 (52.4)	1.560 (39.6)	3.13 (79.5)	
GA/CSGA-8V/NPT	2 1/2 - 8 NPT	2.187 (55.5)	1.690 (42.9)	3.25 (82.6)	

D

GA/CSGA-49B

Male

Stainless Steel Cable Shield Grounding Assembly



APPLICATION NOTES

1. Assembly identified with manufacturer's code identification number (Glenair, part number and classification code 490).
2. Glenair series 600 backshell assembly tools are recommended for assembly and installation.
3. Material / Finish:
Adapters - CRES/passivate.
Ferrule, grounding spring - CRES/passivate.
Tubing - Heat shrinkable, flame retardant, with adhesive.
4. Metric dimensions (mm) are indicated in parentheses.

GA/CSGA-49B
Male
Stainless Steel Cable Shield Grounding Assembly

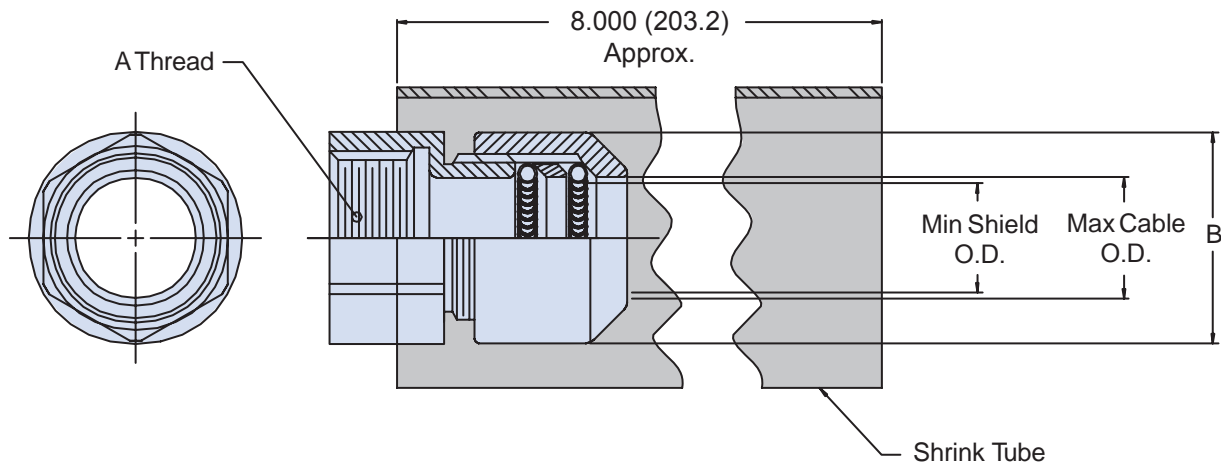
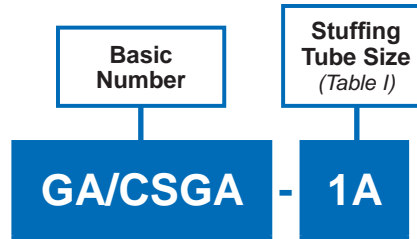


CSGA

TABLE I: Stuffing Tube Size and Adapter Dimensions

Glenair Part No.	A Thread	Max Cable O.D.	Min Shield O.D.	B Max	Shrink Tube Number
GA/CSGA-A (SM)-49B	7/8 -12 UN	.250 (6.4)	.125 (3.2)	1.120 (28.4)	HRSR 125
GA/CSGA-A-49B	7/8 -12 UN	.406 (10.3)	.200 (5.1)	1.120 (28.4)	
GA/CSGA-B-49B	1 -12 UN	.515 (13.1)	.260 (6.6)	1.120 (28.4)	
GA/CSGA-C-49B	1 1/8 -12 UN	.640 (16.3)	.400 (10.2)	1.320 (33.5)	HRSR 175
GA/CSGA-D-49B	1 1/4 -12 UN	.750 (19.1)	.400 (10.2)	1.630 (41.4)	
GA/CSGA-E-49B	1 1/4 -12 UN	.812 (20.6)	.430 (10.9)	1.630 (41.4)	
GA/CSGA-F-49B	1 5/16 -12 UN	.843 (21.4)	.470 (11.9)	1.750 (44.5)	HRSR 200
GA/CSGA-G-49B	1 1/2 -12 UN	.953 (24.2)	.580 (14.7)	1.880 (47.8)	
GA/CSGA-J-49B	1 5/8 -12 UN	1.062 (27.0)	.690 (17.5)	1.880 (47.8)	
GA/CSGA-K-49B	1 3/4 -12 UN	1.172 (29.8)	.800 (20.3)	2.060 (5.2)	HRSR 250
GA/CSGA-L-49B	1 13/16 -12 UN	1.265 (32.1)	.890 (22.6)	2.180 (55.4)	
GA/CSGA-M-49B	2 -12 UN	1.406 (35.7)	1.010 (25.7)	2.320 (58.9)	
GA/CSGA-N-49B	2 1/16 -12 UN	1.515 (38.5)	1.130 (28.7)	2.380 (60.5)	
GA/CSGA-P-49B	2 3/16 -12 UN	1.625 (41.3)	1.200 (30.5)	2.440 (62.0)	
GA/CSGA-R-49B	2 5/16 -12 UN	1.750 (44.5)	1.250 (31.8)	2.750 (69.9)	HRSR 300
GA/CSGA-S-49B	2 11/16 -12 UN	1.875 (47.6)	1.380 (35.1)	2.880 (73.2)	HRSR 400
GA/CSGA-T-49B	2 7/8 -12 UN	2.062 (52.4)	1.560 (39.6)	3.130 (79.5)	
GA/CSGA-V-49B	3 -12 UN	2.187 (55.5)	1.690 (42.9)	3.250 (82.6)	

D



APPLICATION NOTES

1. Assembly identified with manufacturer's code identification number (Glenair, part number and classification code 490).
2. Glenair series 600 backshell assembly tools are recommended for assembly and installation.
3. Material / Finish:
 Adapters - Al alloy/cad/O.D. over electroless nickel (500 hr salt spray).
 Ferrule, grounding spring - CRES/passivate.
 Tubing - Heat shrinkable, flame retardant, with adhesive.
4. Metric dimensions (mm) are indicated in parentheses.

GA/CSGA-
Female
Cable Shield Grounding Assembly**



CSGA

TABLE I: Stuffing Tube Size and Adapter Dimensions

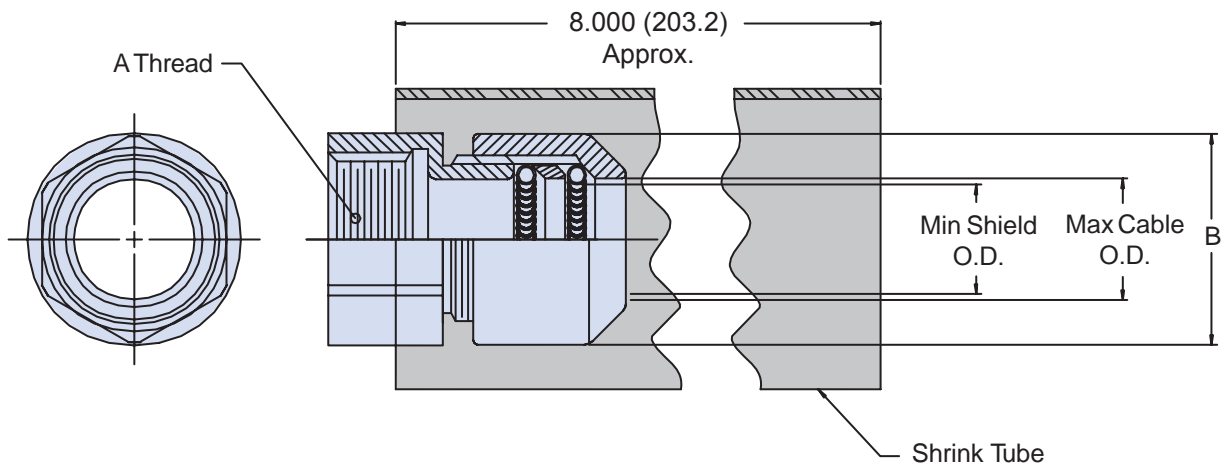
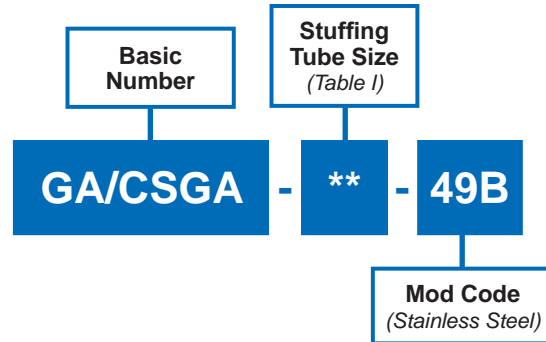
Glenair Part No.	A Thread	Max Cable O.D.	Min Shield O.D.	B Max	Shrink Tube Number
GA/CSGA-1A	7/8 -12 UN	.406 (10.3)	.200 (5.1)	1.120 (28.4)	HRSR 125
GA/CSGA-2A	1 -12 UN	.406 (10.3)	.200 (5.1)	1.120 (28.4)	
GA/CSGA-2B	1 -12 UN	.515 (13.1)	.260 (6.6)	1.120 (28.4)	
GA/CSGA-3A	1 1/8 -12 UN	.515 (13.1)	.260 (6.6)	1.120 (28.4)	
GA/CSGA-4A	1 1/4 -12 UN	.640 (16.3)	.400 (10.2)	1.320 (33.5)	HRSR 175
GA/CSGA-4B	1 1/4 -12 UN	.750 (19.1)	.400 (10.2)	1.630 (41.4)	
GA/CSGA-5A	2 -12 UN	.843 (21.4)	.430 (10.9)	1.750 (44.5)	HRSR 200
GA/CSGA-5B	2 -12 UN	.953 (24.2)	.580 (14.7)	1.880 (47.8)	
GA/CSGA-5C	2 -12 UN	1.062 (27.0)	.690 (17.5)	1.880 (47.8)	
GA/CSGA-5D	2 -12 UN	1.172 (29.8)	.800 (20.3)	2.060 (52.1)	HRSR 250
GA/CSGA-6A	2 1/2 -12 UN	1.172 (29.8)	.800 (20.3)	2.060 (52.1)	
GA/CSGA-6B	2 1/2 -12 UN	1.265 (32.1)	.890 (22.6)	2.180 (55.4)	
GA/CSGA-6C	2 1/2 -12 UN	1.406 (35.7)	1.010 (25.7)	2.320 (58.9)	
GA/CSGA-7A	2 3/4 -12 UN	1.515 (38.5)	1.130 (28.7)	2.380 (60.5)	
GA/CSGA-7B	2 1/4 -12 UN	1.625 (41.3)	1.130 (28.7)	2.440 (62.0)	
GA/CSGA-8A	3 1/4 -12 UN	1.750 (44.5)	1.250 (31.8)	2.750 (69.9)	HRSR 300
GA/CSGA-8B	3 1/4 -12 UN	1.875 (47.6)	1.380 (35.1)	2.880 (73.2)	
GA/CSGA-8C	3 1/4 -12 UN	2.062 (52.4)	1.560 (39.6)	3.130 (79.5)	HRSR 400
GA/CSGA-9A	4 -12 UN	2.185 (55.5)	1.690 (42.9)	3.250 (82.6)	

D

GA/CSGA-**-49B

Female

Stainless Steel Cable Shield Grounding Assembly



APPLICATION NOTES

1. Assembly identified with manufacturer's code identification number (Glenair, part number and classification code 490).
2. Glenair series 600 backshell assembly tools are recommended for assembly and installation.
3. Material / Finish:
Adapters - CRES/passivate.
Ferrule, grounding spring - CRES/passivate.
Tubing - Heat shrinkable, flame retardant, with adhesive.
4. Metric dimensions (mm) are indicated in parentheses.

GA/CSGA--49B**
Female
Stainless Steel Cable Shield Grounding Assembly

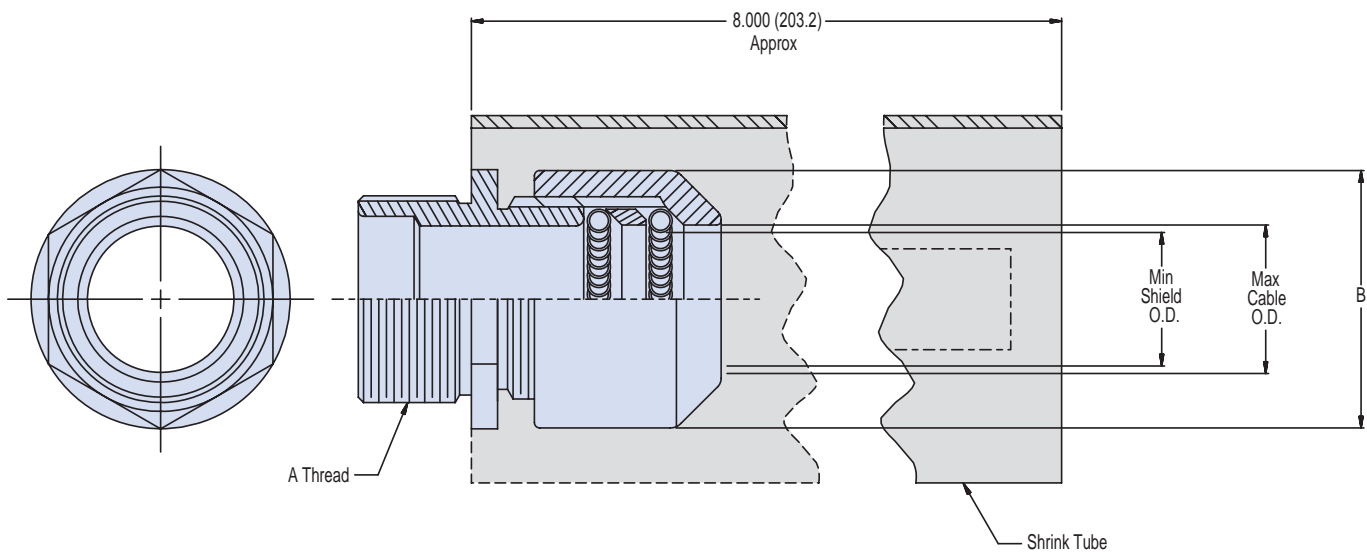
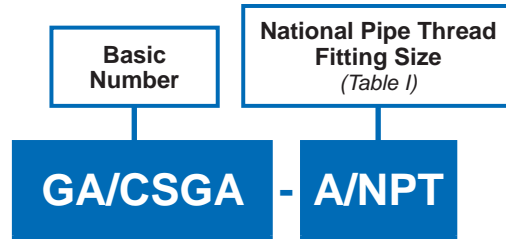


CSGA

TABLE I: Stuffing Tube Size and Adapter Dimensions

Glenair Part No.	A Thread	Max Cable O.D.	Min Shield O.D.	B Max	Shrink Tube Number
GA/CSGA-1A-49B	7/8 -12 UN	.406 (10.3)	.200 (5.1)	1.120 (28.4)	HRSR 125
GA/CSGA-2A-49B	1 -12 UN	.406 (10.3)	.200 (5.1)	1.120 (28.4)	
GA/CSGA-2B-49B	1 -12 UN	.515 (13.1)	.260 (6.6)	1.120 (28.4)	
GA/CSGA-3A-49B	1 1/8 -12 UN	.515 (13.1)	.260 (6.6)	1.120 (28.4)	
GA/CSGA-4A-49B	1 1/4 -12 UN	.640 (16.3)	.400 (10.2)	1.320 (33.5)	HRSR 175
GA/CSGA-4B-49B	1 1/4 -12 UN	.750 (19.1)	.400 (10.2)	1.630 (41.4)	
GA/CSGA-5A-49B	2 -12 UN	.843 (21.4)	.430 (10.9)	1.750 (44.5)	HRSR 200
GA/CSGA-5B-49B	2 -12 UN	.953 (24.2)	.580 (14.7)	1.880 (47.8)	
GA/CSGA-5C-49B	2 -12 UN	1.062 (27.0)	.690 (17.5)	1.880 (47.8)	
GA/CSGA-5D-49B	2 -12 UN	1.172 (29.8)	.800 (20.3)	2.060 (52.1)	HRSR 250
GA/CSGA-6A-49B	2 1/2 -12 UN	1.172 (29.8)	.800 (20.3)	2.060 (52.1)	
GA/CSGA-6B-49B	2 1/2 -12 UN	1.265 (32.1)	.890 (22.6)	2.180 (55.4)	
GA/CSGA-6C-49B	2 1/2 -12 UN	1.406 (35.7)	1.010 (25.7)	2.320 (58.9)	
GA/CSGA-7A-49B	2 3/4 -12 UN	1.515 (38.5)	1.130 (28.7)	2.380 (60.5)	
GA/CSGA-7B-49B	2 1/4 -12 UN	1.625 (41.3)	1.130 (28.7)	2.440 (62.0)	
GA/CSGA-8A-49B	3 1/4 -12 UN	1.750 (44.5)	1.250 (31.8)	2.750 (69.9)	HRSR 300
GA/CSGA-8B-49B	3 1/4 -12 UN	1.875 (47.6)	1.380 (35.1)	2.880 (73.2)	
GA/CSGA-8C-49B	3 1/4 -12 UN	2.062 (52.4)	1.560 (39.6)	3.130 (79.5)	HRSR 400
GA/CSGA-9A-49B	4 -12 UN	2.185 (55.5)	1.690 (42.9)	3.250 (82.6)	

D



APPLICATION NOTES

1. Assembly identified with manufacturer's code identification number (Glenair, part number and classification code 490).
2. Glenair series 600 backshell assembly tools are recommended for assembly and installation.
3. Material / Finish:
Adapters - Al alloy/cad/O.D. over electroless nickel (500 hr salt spray).
Ferrule, grounding spring - CRES/passivate.
Tubing - Heat shrinkable, flame retardant, with adhesive.
4. Metric dimensions (mm) are indicated in parentheses.

**GA/CSGA-*/NPT
Male Pipe Thread
Cable Shield Grounding Assembly**



CSGA

TABLE I: Stuffing Tube Size and Adapter Dimensions

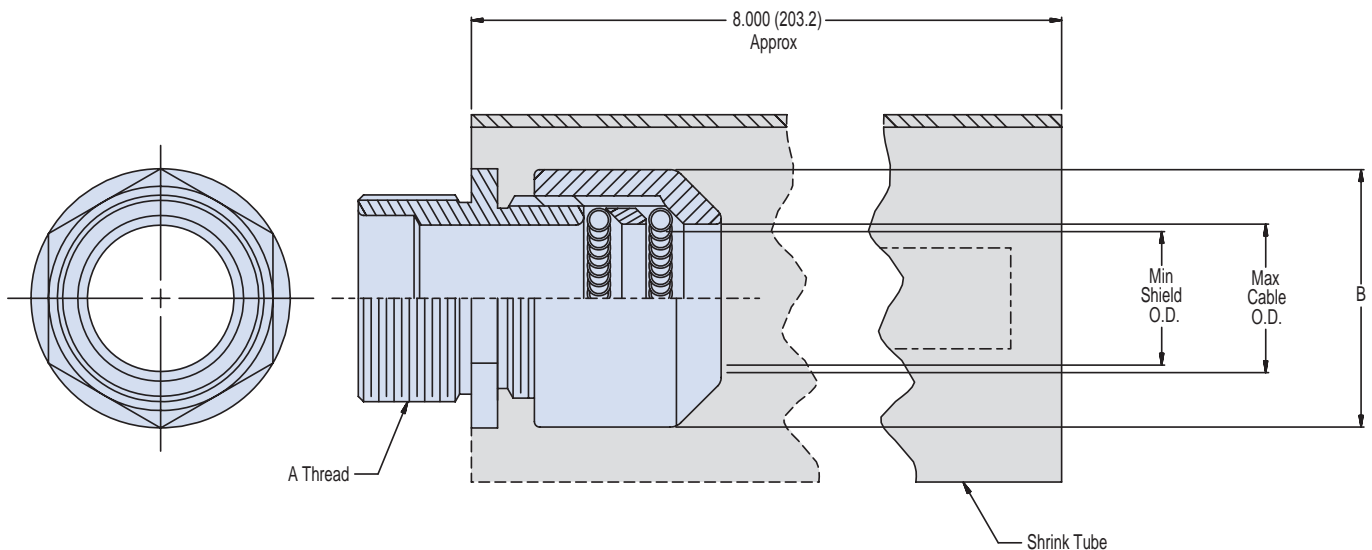
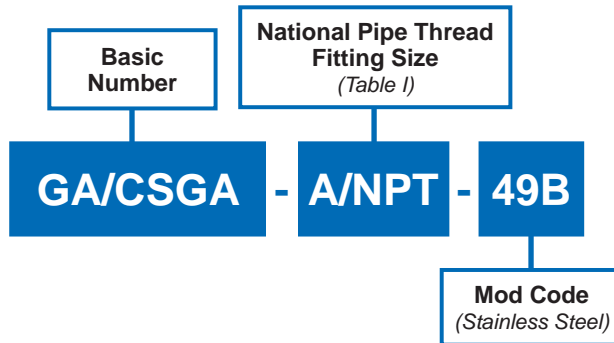
Glenair Part No.	A Thread	Max Cable O.D.	Min Shield O.D.	B Max	Shrink Tube Number
GA/CSGA-A/NPT	3/8-18 NPT	.406 (10.3)	.200 (5.1)	1.120 (28.4)	HRSR 125
GA/CSGA-B/NPT	1/2-14 NPT	.515 (13.1)	.260 (6.6)	1.120 (28.4)	
GA/CSGA-C/NPT	3/4-14NPT	.640 (16.3)	.400 (10.2)	1.320 (33.5)	HRSR 175
GA/CSGA-D/NPT	3/4-14 NPT	.750 (19.1)	.400 (10.2)	1.630 (41.4)	
GA/CSGA-E/NPT	1-11 1/2 NPT	.812 (20.6)	.430 (10.9)	1.630 (41.4)	
GA/CSGA-F/NPT	1-11 1/2 NPT	.843 (21.4)	.470 (11.9)	1.750 (44.5)	HRSR 200
GA/CSGA-G/NPT	1-11 1/2 NPT	.953 (24.2)	.580 (14.7)	1.880 (47.8)	
GA/CSGA-J/NPT	1 1/4-11 1/2 NPT	1.062 (27.0)	.690 (17.5)	1.880 (47.8)	
GA/CSGA-K/NPT	1 1/4-11 1/2 NPT	1.172 (29.8)	.800 (20.3)	2.060 (52.4)	HRSR 250
GA/CSGA-L/NPT	1 1/4-11 1/2 NPT	1.265 (32.1)	.890 (22.6)	2.180 (55.4)	
GA/CSGA-M/NPT	1 1/2-11 1/2 NPT	1.406 (35.7)	1.010 (25.7)	2.320 (58.9)	
GA/CSGA-N/NPT	1 1/2-11 1/2 NPT	1.515 (38.5)	1.130 (28.7)	2.380 (60.5)	
GA/CSGA-P/NPT	2-11 NPT	1.625 (41.3)	1.200 (30.5)	2.440 (62.0)	
GA/CSGA-R/NPT	2-11 NPT	1.750 (44.5)	1.250 (31.8)	2.750 (69.9)	HRSR 300
GA/CSGA-S/NPT	2-11 NPT	1.875 (47.6)	1.380 (35.1)	2.880 (73.2)	
GA/CSGA-T/NPT	2 1/2-8 NPT	2.062 (52.4)	1.560 (39.6)	3.130 (79.5)	HRSR 400
GA/CSGA-V/NPT	2 1/2-8 NPT	2.187 (55.5)	1.690 (42.9)	3.250 (82.6)	

D

GA/CSGA-*/NPT-49B

Male Pipe Thread

Stainless Steel Cable Shield Grounding Assembly



APPLICATION NOTES

1. Assembly identified with manufacturer's code identification number (Glenair, part number and classification code 490).
2. Glenair series 600 backshell assembly tools are recommended for assembly and installation.
3. Material / Finish:
Adapters - CRES/passivate.
Ferrule, grounding spring - CRES/passivate.
Tubing - Heat shrinkable, flame retardant, with adhesive.
4. Metric dimensions (mm) are indicated in parentheses.

GA/CSGA-*/NPT-49B
Male Pipe Thread
Stainless Steel Cable Shield Grounding Assembly



CSGA

TABLE I: Stuffing Tube Size and Adapter Dimensions

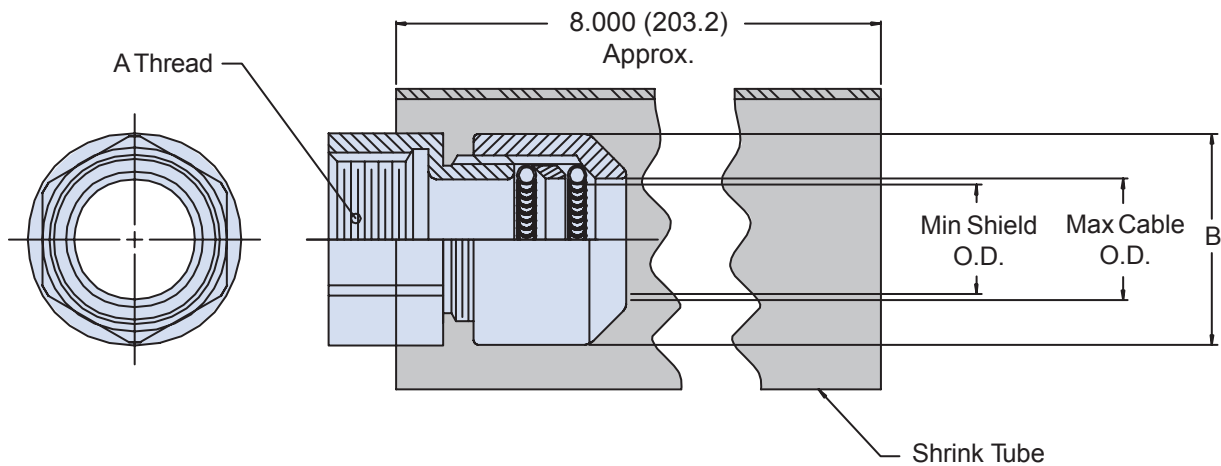
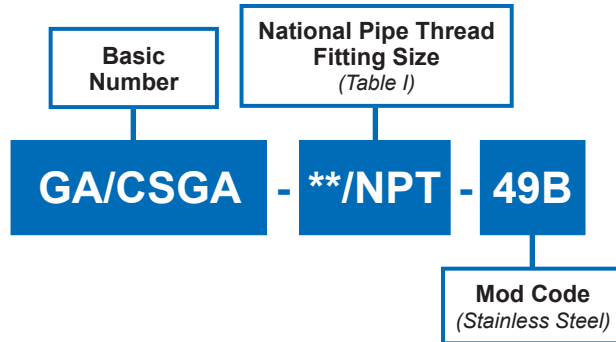
Glenair Part No.	A Thread	Max Cable O.D.	Min Shield O.D.	B Max	Shrink Tube Number
GA/CSGA-A/NPT-49B	3/8-18 NPT	.406 (10.3)	.200 (5.1)	1.120 (28.4)	HRSR 125
GA/CSGA-B/NPT-49B	1/2-14 NPT	.515 (13.1)	.260 (6.6)	1.120 (28.4)	
GA/CSGA-C/NPT-49B	3/4-14NPT	.640 (16.3)	.400 (10.2)	1.320 (33.5)	HRSR 175
GA/CSGA-D/NPT-49B	3/4-14 NPT	.750 (19.1)	.400 (10.2)	1.630 (41.4)	
GA/CSGA-E/NPT-49B	1-11 1/2 NPT	.812 (20.6)	.430 (10.9)	1.630 (41.4)	HRSR 200
GA/CSGA-F/NPT-49B	1-11 1/2 NPT	.843 (21.4)	.470 (11.9)	1.750 (44.5)	
GA/CSGA-G/NPT-49B	1-11 1/2 NPT	.953 (24.2)	.580 (14.7)	1.880 (47.8)	HRSR 250
GA/CSGA-J/NPT-49B	1 1/4-11 1/2 NPT	1.062 (27.0)	.690 (17.5)	1.880 (47.8)	
GA/CSGA-K/NPT-49B	1 1/4-11 1/2 NPT	1.172 (29.8)	.800 (20.3)	2.060 (5.2)	HRSR 300
GA/CSGA-L/NPT-49B	1 1/4-11 1/2 NPT	1.265 (32.1)	.890 (22.6)	2.180 (55.4)	
GA/CSGA-M/NPT-49B	1 1/2-11 1/2 NPT	1.406 (35.7)	1.010 (25.7)	2.320 (58.9)	HRSR 400
GA/CSGA-N/NPT-49B	1 1/2-11 1/2 NPT	1.515 (38.5)	1.130 (28.7)	2.380 (60.5)	
GA/CSGA-P/NPT-49B	2-11 NPT	1.625 (41.3)	1.200 (30.5)	2.440 (62.0)	HRSR 300
GA/CSGA-R/NPT-49B	2-11 NPT	1.750 (44.5)	1.250 (31.8)	2.750 (69.9)	
GA/CSGA-S/NPT-49B	2-11 NPT	1.875 (47.6)	1.380 (35.1)	2.880 (73.2)	HRSR 400
GA/CSGA-T/NPT-49B	2 1/2-8 NPT	2.062 (52.4)	1.560 (39.6)	3.130 (79.5)	
GA/CSGA-V/NPT-49B	2 1/2-8 NPT	2.187 (55.5)	1.690 (42.9)	3.250 (82.6)	

D

GA/CSGA-**/NPT-49B

Female Pipe Thread

Stainless Steel Cable Shield Grounding Assembly



APPLICATION NOTES

1. Assembly identified with manufacturer's code identification number (Glenair, part number and classification code 490).
2. Glenair series 600 backshell assembly tools are recommended for assembly and installation.
3. Material / Finish:
 - Adapters - CRES/passivate.
 - Ferrule, grounding spring - CRES/passivate.
 - Tubing - Heat shrinkable, flame retardant, with adhesive.
4. Metric dimensions (mm) are indicated in parentheses.

GA/CSGA-*/NPT-49B
Female Pipe Thread
Stainless Steel Cable Shield Grounding Assembly



CSGA

TABLE I: Stuffing Tube Size and Adapter Dimensions

Glenair Part No.	A Thread	Max Cable O.D.	Min Shield O.D.	B Max	Shrink Tube Number
GA/CSGA-1A/NPT-49B	3/8-18 NPT	.406 (10.3)	.200 (5.1)	1.120 (28.4)	HRSR 125
GA/CSGA-2B/NPT-49B	1/2-14 NPT	.515 (13.1)	.260 (6.6)	1.120 (28.4)	
GA/CSGA-3C/NPT-49B	3/4-14NPT	.640 (16.3)	.400 (10.2)	1.320 (33.5)	HRSR 175
GA/CSGA-3D/NPT-49B	3/4-14 NPT	.750 (19.1)	.400 (10.2)	1.630 (41.4)	
GA/CSGA-4E/NPT-49B	1-11 1/2 NPT	.812 (20.6)	.430 (10.9)	1.630 (41.4)	HRSR 200
GA/CSGA-4F/NPT-49B	1-11 1/2 NPT	.843 (21.4)	.470 (11.9)	1.750 (44.5)	
GA/CSGA-4G/NPT-49B	1-11 1/2 NPT	.953 (24.2)	.580 (14.7)	1.880 (47.8)	HRSR 250
GA/CSGA-5J/NPT-49B	1 1/4-11 1/2 NPT	1.062 (27.0)	.690 (17.5)	1.880 (47.8)	
GA/CSGA-5K/NPT-49B	1 1/4-11 1/2 NPT	1.172 (29.8)	.800 (20.3)	2.060 (52.2)	HRSR 300
GA/CSGA-5L/NPT-49B	1 1/4-11 1/2 NPT	1.265 (32.1)	.890 (22.6)	2.180 (55.4)	
GA/CSGA-6M/NPT-49B	1 1/2-11 1/2 NPT	1.406 (35.7)	1.010 (25.7)	2.320 (58.9)	HRSR 400
GA/CSGA-6N/NPT-49B	1 1/2-11 1/2 NPT	1.515 (38.5)	1.130 (28.7)	2.380 (60.5)	
GA/CSGA-7P/NPT-49B	2-11 NPT	1.625 (41.3)	1.200 (30.5)	2.440 (62.0)	HRSR 300
GA/CSGA-7R/NPT-49B	2-11 NPT	1.750 (44.5)	1.250 (31.8)	2.750 (69.9)	
GA/CSGA-7S/NPT-49B	2-11 NPT	1.875 (47.6)	1.380 (35.1)	2.880 (73.2)	HRSR 400
GA/CSGA-8T/NPT-49B	2 1/2-8 NPT	2.062 (52.4)	1.560 (39.6)	3.130 (79.5)	
GA/CSGA-8V/NPT-49B	2 1/2-8 NPT	2.187 (55.5)	1.690 (42.9)	3.250 (82.6)	

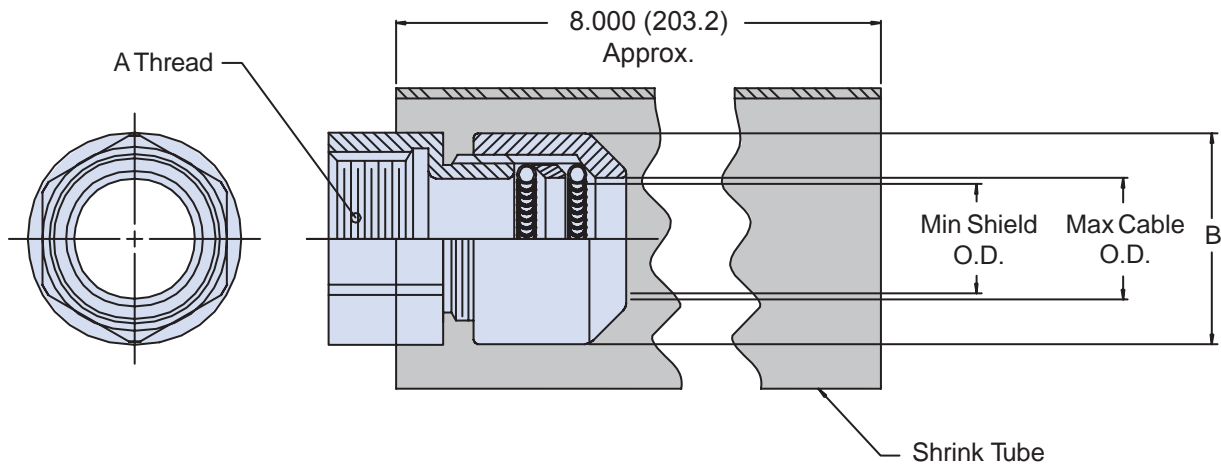
D

GA/CSGA-**/NPT Female Pipe Thread Cable Shield Grounding Assembly

Basic
Number

National Pipe Thread
Fitting Size
(Table I)

GA/CSGA - **/NPT



APPLICATION NOTES

1. Assembly identified with manufacturer's code identification number (Glenair, part number and classification code 490).
2. Glenair series 600 backshell assembly tools are recommended for assembly and installation.
3. Material / Finish:
Adapters - Al alloy/cad/O.D. over electroless nickel (500 hr salt spray).
Ferrule, grounding spring - CRES/passivate.
Tubing - Heat shrinkable, flame retardant, with adhesive.
4. Metric dimensions (mm) are indicated in parentheses.

**GA/CSGA-*/NPT
Female Pipe Thread
Cable Shield Grounding Assembly**



CSGA

TABLE I: Stuffing Tube Size and Adapter Dimensions

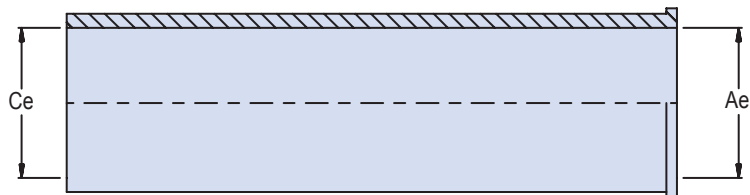
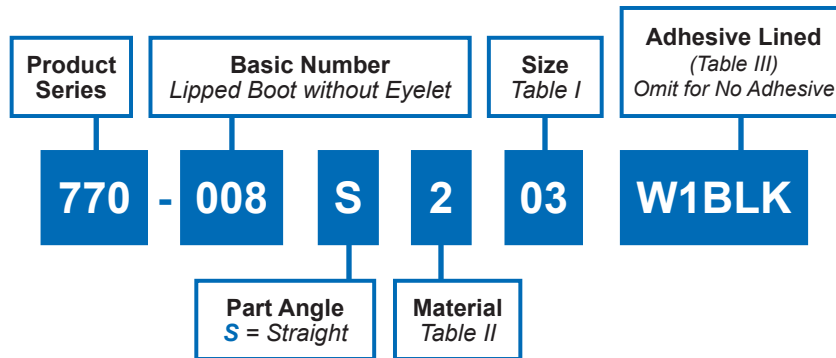
Glenair Part No.	A Thread	Max Cable O.D.	Min Shield O.D.	B Max	Shrink Tube Number
GA/CSGA-1A/NPT	3/8-18 NPT	.406 (10.3)	.200 (5.1)	1.120 (28.4)	HRSR 125
GA/CSGA-2B/NPT	1/2-14 NPT	.515 (13.1)	.260 (6.6)	1.120 (28.4)	
GA/CSGA-3C/NPT	3/4-14NPT	.640 (16.3)	.400 (10.2)	1.320 (33.5)	HRSR 175
GA/CSGA-3D/NPT	3/4-14 NPT	.750 (19.1)	.400 (10.2)	1.630 (41.4)	
GA/CSGA-4E/NPT	1-11 1/2 NPT	.812 (20.6)	.430 (10.9)	1.630 (41.4)	HRSR 200
GA/CSGA-4F/NPT	1-11 1/2 NPT	.843 (21.4)	.470 (11.9)	1.750 (44.5)	
GA/CSGA-4G/NPT	1-11 1/2 NPT	.953 (24.2)	.580 (14.7)	1.880 (47.8)	HRSR 200
GA/CSGA-5J/NPT	1 1/4-11 1/2 NPT	1.062 (27.0)	.690 (17.5)	1.880 (47.8)	
GA/CSGA-5K/NPT	1 1/4-11 1/2 NPT	1.172 (29.8)	.800 (20.3)	2.060 (52.4)	HRSR 250
GA/CSGA-5L/NPT	1 1/4-11 1/2 NPT	1.265 (32.1)	.890 (22.6)	2.180 (55.4)	
GA/CSGA-6M/NPT	1 1/2-11 1/2 NPT	1.406 (35.7)	1.010 (25.7)	2.320 (58.9)	HRSR 250
GA/CSGA-6N/NPT	1 1/2-11 1/2 NPT	1.515 (38.5)	1.130 (28.7)	2.380 (60.5)	
GA/CSGA-7P/NPT	2-11 NPT	1.625 (41.3)	1.200 (30.5)	2.440 (62.0)	HRSR 300
GA/CSGA-7R/NPT	2-11 NPT	1.750 (44.5)	1.250 (31.8)	2.750 (69.9)	
GA/CSGA-7S/NPT	2-11 NPT	1.875 (47.6)	1.380 (35.1)	2.880 (73.2)	HRSR 400
GA/CSGA-8T/NPT	2 1/2-8 NPT	2.062 (52.4)	1.560 (39.6)	3.130 (79.5)	
GA/CSGA-8V/NPT	2 1/2-8 NPT	2.187 (55.5)	1.690 (42.9)	3.250 (82.6)	HRSR 400

D

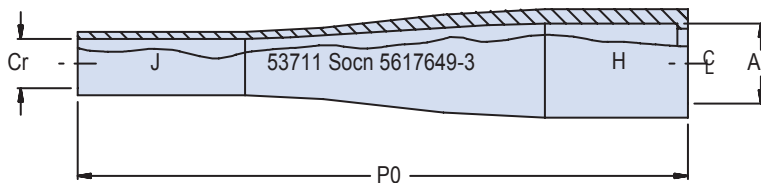
770-008

Straight Heat Shrink Boot

For Use in Naval Shipboard Electronic Equipment



As Supplied



Recovered

APPLICATION NOTES

- Please refer to the AEGIS Boot Approval document on our website: www.glenair.com

770-008
Straight Heat Shrink Boot
 For Use in Naval Shipboard Electronic Equipment



CSGA

TABLE I: Size, NAVSEA Part No., and Dimensions

Size	NAVSEA Part No.	Ae Min Dia Expanded	Ar Max Dia Recovered	Ce Min Dia Expanded	Cr Max Dia Recovered	PO ±10%
00	5617649	.827 (21.0)	.551 (14.0)	.630 (16.0)	.209 (5.3)	5.315 (135.0)
01	5617649-1	.984 (25.0)	.650 (16.5)	.984 (25.0)	.331 (8.4)	6.024 (153.0)
02	5617649-2	1.299 (33.0)	.799 (20.3)	1.299 (33.0)	.429 (10.9)	6.024 (153.0)
03	5617649-3	1.693 (43.0)	.902 (22.9)	1.693 (43.0)	.559 (14.2)	6.890 (175.0)
04	5617649-4	2.087 (53.0)	1.098 (27.6)	2.087 (53.0)	.701 (17.8)	6.890 (175.0)
05	5617649-5	2.835 (72.0)	1.449 (36.8)	2.835 (72.0)	.949 (24.1)	7.244 (184.0)

TABLE II: Material

No.	Compound	Material Description
2	2010	Low Smoke Hazard Material

TABLE III: Adhesive

Symbol	Adhesive Description
W1BLK	120°C Zero Halogen/Hot Melt, Black

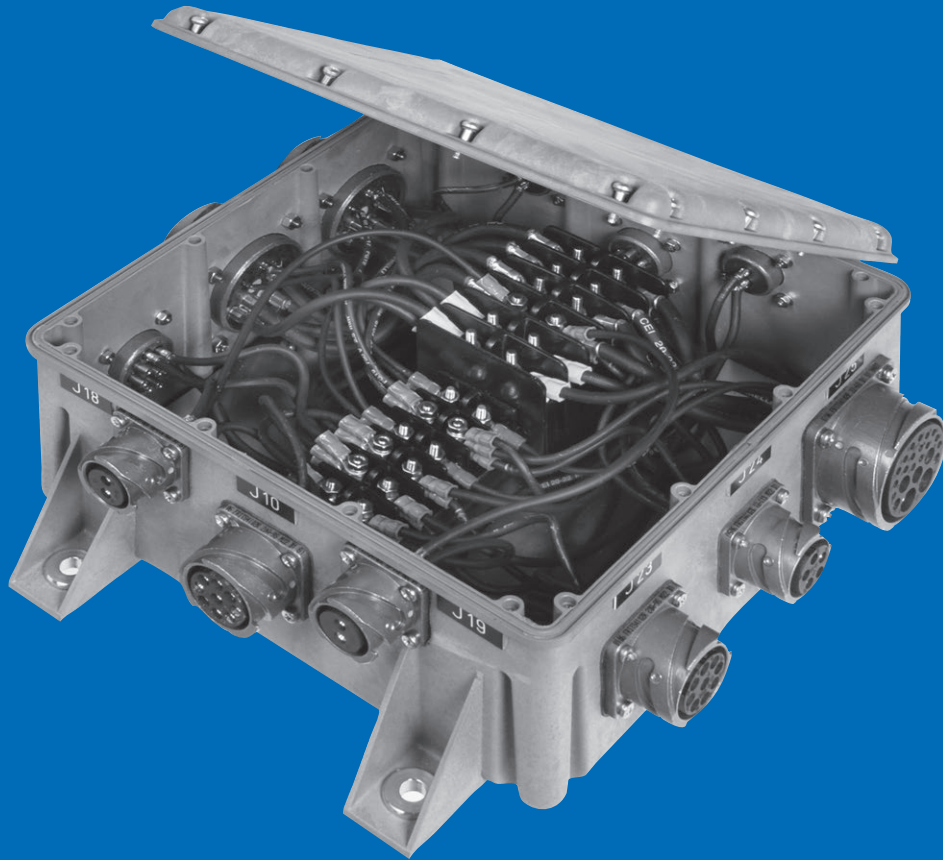
D

SERIES 14

COST SAVER

EMI/RFI Composite Junction Boxes

Lightweight ♦ Corrosion-Free ♦ Shielded ♦ Sealed



Glenair Series 14 CostSaver Composite EMI/RFI Junction Boxes can be specially designed and outfitted for any application requirement. We offer a dozen standard sizes that can be equipped with your selection of feedthrough fittings, connectors, grounding devices, terminal boards—you name it. For complete information please see our composite products catalog or visit our website, www.glenair.com

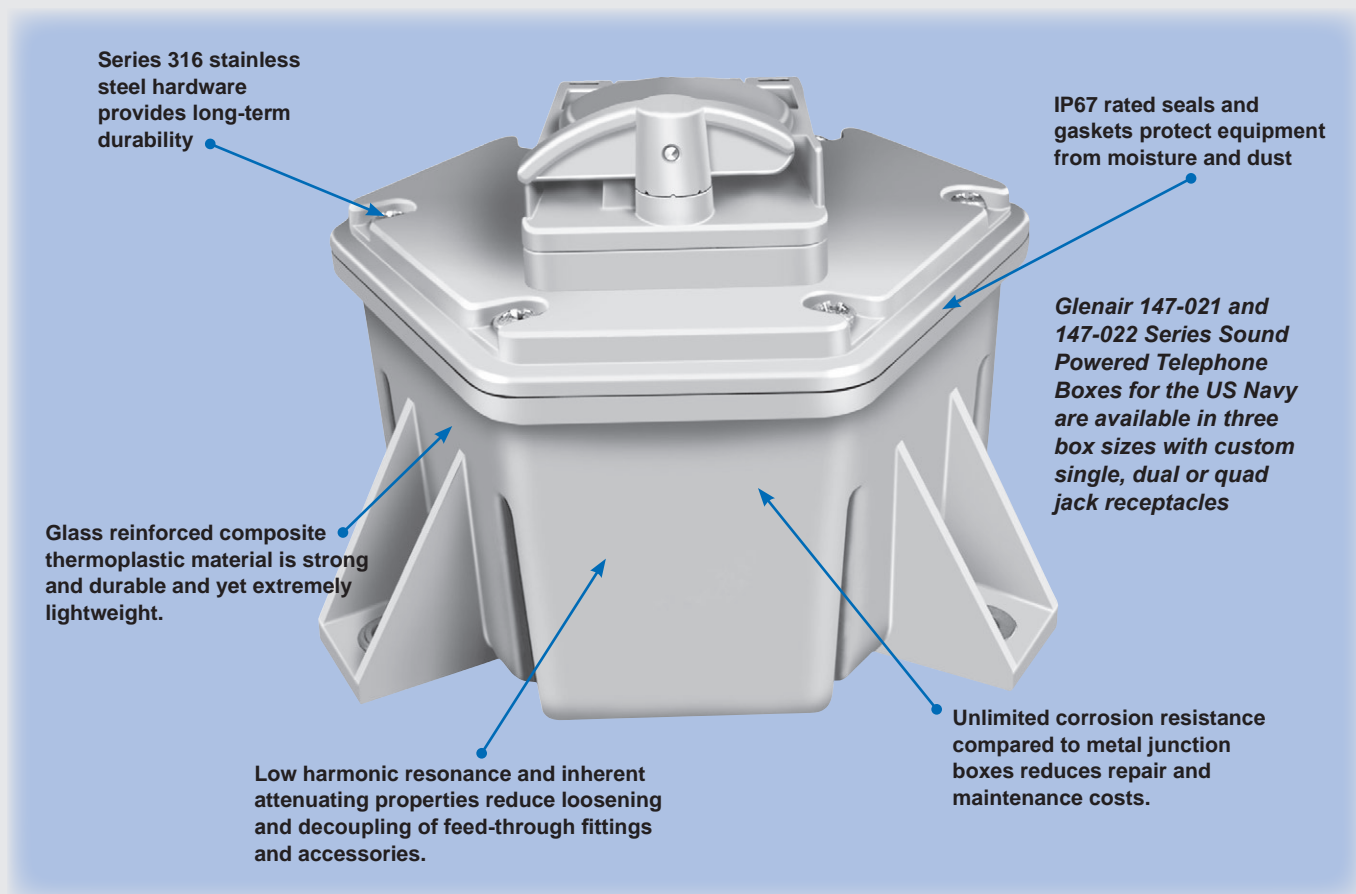


Glenair Composite Electrical Boxes Resist Corrosion and Reduce Costly and Time-Consuming Maintenance

Fleet managers are encouraged to replace corroded or leaking electrical metal boxes with their composite counterparts. Glenair composite boxes eliminate the costly repeated need to remove corroded metal boxes, re-preserve the ship's hull, installing a new box, and re-connecting the electrical system. Widespread use of Glenair composite boxes can eliminate the

need for ships to paint, repair and replace topside electrical boxes.

Glenair composite boxes provide corrosion-resistant alternatives to the metal boxes listed in MIL-T-24649 that covers most standard telephone boxes and MIL-E-24142. Glenair composite boxes were developed to replace metal boxes on a one-for-one form fit and function basis.





Glenair Composite Box National Stock Numbers

Glenair composite boxes have passed all shock, fire and EMI testing requirement. SCD-6922 authorizes the use of composite boxes on surface ships. NAVSEA standard drawing 803-6983506 Rev. B "Electrical Enclosures,

Composite, Installation and Details" provides box installation details and instructions.

The following national stock numbers have been established for these Navy approved, corrosion-proof composite boxes:

Glenair Composite Box National Stock Numbers

Part Number Ref No.	FLIS Nomenclature	New Composite NSN	Eq. Brass Box NSW	Part/Symbol Number	Description
147-021XMS-02	Enclosure, Composite	5935-01-572-6657	5935-00-552-6790	SYMBOL 2842	Dual SPT
147-021XMS-03	Enclosure, Composite	5935-01-572-5631	5935-00-355-4739	SYMBOL 2843	Quad SPT
147-022XMS-01	Enclosure, Composite	5935-01-572-5487	5935-00-552-6791	SYMBOL 2841	Single SPT
140-060XMS-01	Junction Box, Composite	5975-01-556-7957	5975-00-122-6048	MIL-E-24142/1	Small
140-060XMS-02	Junction Box, Composite	5975-01-557-2672	5975-00-357-0974	MIL-E-24142-/4-001	Medium
140-060XMS-03	Junction Box, Composite	5975-01-557-2679	5395-01-185-3693	ENC6X9	Large
140-060XMS-05	Junction Box, Composite	5975-01-556-7948	None	No NSN Identified	Small Round
140-060XMS-01T4	Junction Box, Composite	5940-01-556-9434	5940-00-351-2223	SYMBOL 528	Small
140-060XMS-01T6	Junction Box, Composite	5940-01-556-9443	NICN: LLCA42632	SYMBOL 444	Small
140-060XMS-05T4	Junction Box, Composite	5940-01-557-2712	5940-00-024-0128	SYMBOL 400.1	Small Round
140-060XMS-05T2	Junction Box, Composite	5940-01-557-2579	5940-00-351-0000	M24558/1-520.1	Small Round
140-060XMS-03T1	Junction Box, Composite	5940-01-556-9489	5940-00-215-5962	SYMBOL 432.1	Large
140-060XMS-03T2	Junction Box, Composite	5940-01-557-2564	5940-00-080-3931	SYMBOL 434	Large
140-060XMS-03T5	Junction Box, Composite	5940-01-557-2578	5940-00-503-4204	SYMBOL 529	Large
140-060XMS-03T9	Junction Box, Composite	5940-01-557-2582	5940-00-215-5963	SYMBOL 433.1	Large
140-060XMS-03T10	Junction Box, Composite	5940-01-556-9494	5940-00-2226	SYMBOL 522.1	Large
140-060XMS-03T11	Junction Box, Composite	5940-01-557-2563	5940-01-387-4412	M24558/8-446	Large
140-060XMS-03T12	Junction Box, Composite	5940-01-556-9499	4940-00-351-2225	M24558/9-525	Large
140-060XMS-01T3	Junction Box, Composite	5975-01-556-7967	5940-00-215-5959	SYMBOL 435.1	Small
147-023XMS-02	Electrical Box, Composite	5940-01-557-2667	5935-00-086-8922	SYMBOL 1099.1	Single 115V
147-023XMS-01	Electrical Box, Composite	5940-01-557-2645	5935-00-720-0527	SYMBOL 35.1	Single 115V
147-032XMS-0005G	Electrical Box, Composite	5940-01-557-2719	5935-01-145-3182	MIL-R-2726-71 SYMBOL 101	Single 125V
147-033XMS-0003	Electrical Box, Composite	5940-01-557-2725	5935-01-415-0883	SYMBOL 1098-1	Single 115V
147-020XMS-02	Junction Box, Composite	5975-01-556-9504	None	No NSN Identified	Dual 115V
147-020XMS-05	Electrical Box, Composite	5940-01-557-2634	None	No NSN Identified	Dual 115V

Glenair Composite Box Lid Replacement National Stock Numbers



Glenair Composite Box Lid National Stock Numbers

Part Number Ref No.	FLIS Nomenclature	New Composite NSN	Eq. Brass Box NSW	Use With Part Number	Description
140-065XMS-05	Cover, Terminal Box	5935-01-572-5480	None	147-021XMS-02	Lid, Composite
140-065XMS-06	Cover, Terminal Box	5935-01-572-5483	None	147-021XMS-03	Lid, Composite
140-065XMS-14	Cover, Terminal Box	5940-01-557-2622	None	140-060XMS-05, 05T2 and 05T4	Lid, Composite
140-065XMS-01	Cover, Terminal Box	5940-01-557-2612	None	140-060XMS-01, 01T3, 01T4 and 01T6	Lid, Composite
140-065XMS-03	Cover, Junction Box	5975-01-556-9522	None	140-060XMS-02	Lid, Composite
140-065XMS-12	Cover, Terminal Box	5935-01-572-5845	None	147-022X0-01	Lid, Composite
630-038X0-02K	Cover, Junction Box	5975-01-556-9582	None	022X0-01, 147-021X0-02 and 147-021X0-03	Cover, Composite with Spring Latch
140-065XMS-15	Cover, Terminal Box	5940-01-557-2626	None	140-060XMS-03, 03T1, 03T5 03T9, 03T10, 03T11, AND 03T12	Lid, Composite
140-065XMS-17	Cover, Terminal Box	5940-01-557-2616	None	147-023XMS-02	Lid, Composite
630-038X0-04K	Cover, Junction Box	5975-01-556-9627	None	147-023XMS-02 and 147020XMS-05	Cover, Composite with Spring Latch
140-065XMS-13	Cover, Terminal Box	5940-01-557-2585	None	147-023XMS-01	Lid, Composite
140-065XMS-08	Cover, Terminal Box	5940-01-557-2573	None	147-020XMS-02	Lid, Composite
630-038X0-01K	Cover, Junction Box	5975-01-556-9621	None	147023XMS-01 and 147-023XMS-02	Cover, Composite with Spring Latch
140-065XMS-16	Cover, Terminal Box	5940-01-557-2587	None	147-020XMS-05	Lid, Composite
227-059X004	Connector, Sound Powered	5935-01-558-3700	None	147-022X0-01 and 147-021X0-02	SPT Jack, Composite Panel

Basic Part Number	Finish (See Table I)	Basic Box Number
147-021	XMS	- 02

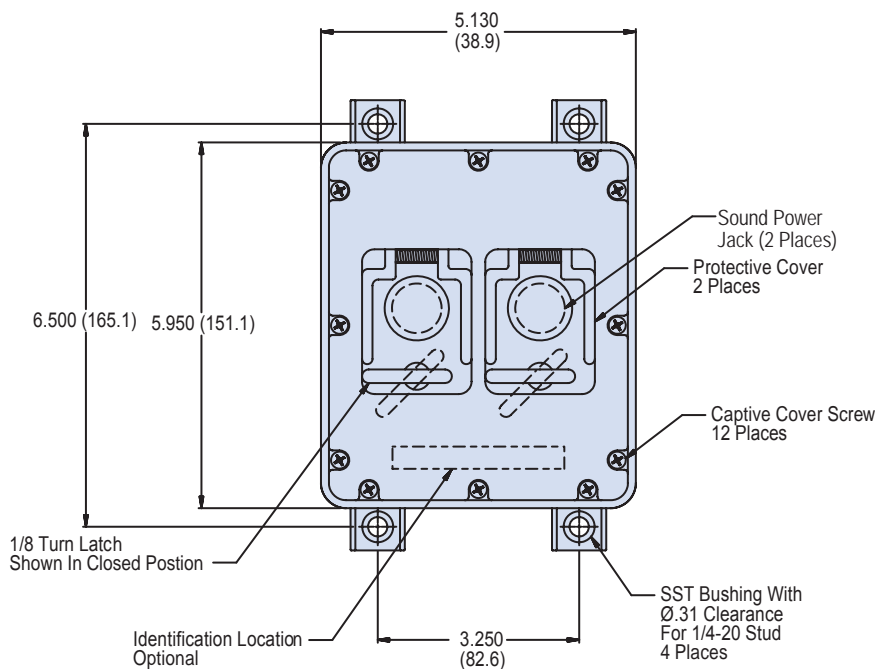
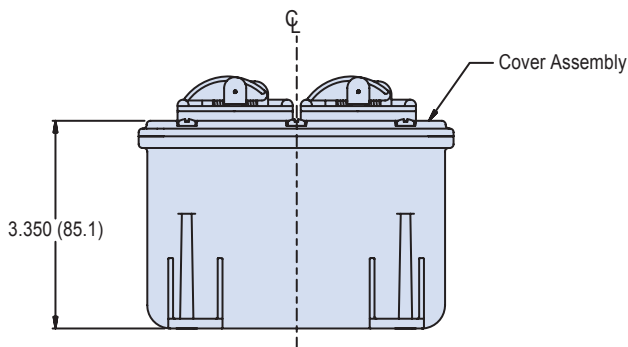


FIGURE 1 TOP VIEW



E

147-021XMS-02
(NSN: 5935-01-572-6657) (Symbol 2842)
Dual Sound Powered Composite Telephone Box



Junction
Boxes

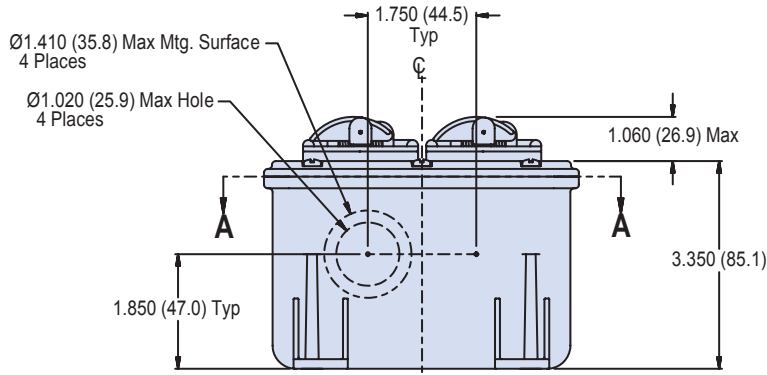
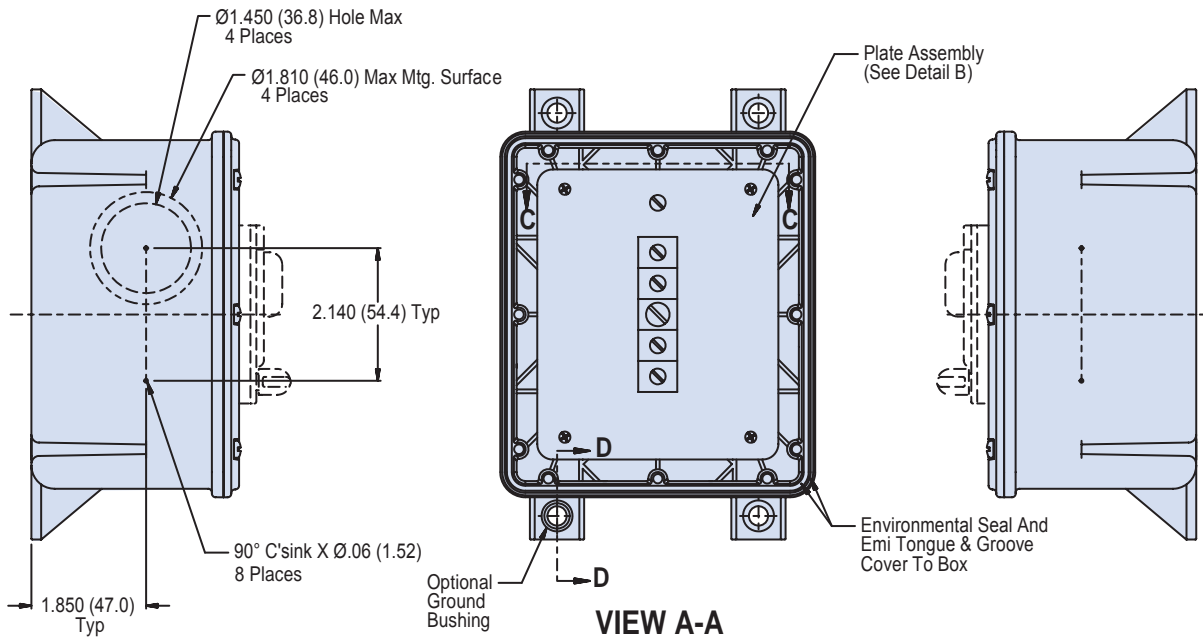
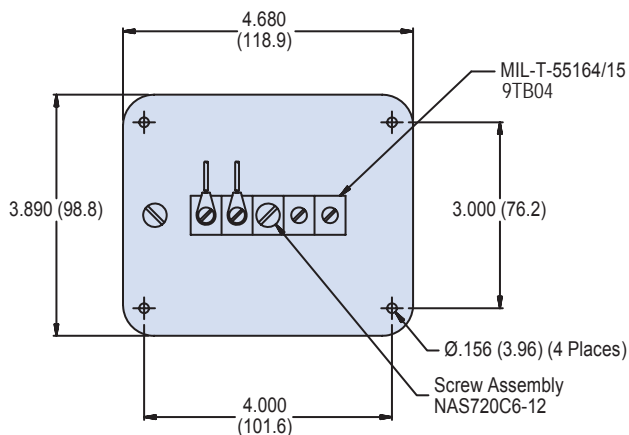


FIGURE 2

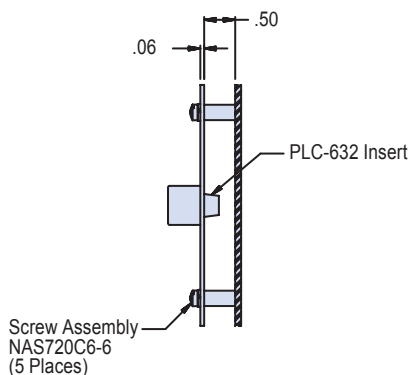


VIEW A-A

E



DETAIL B

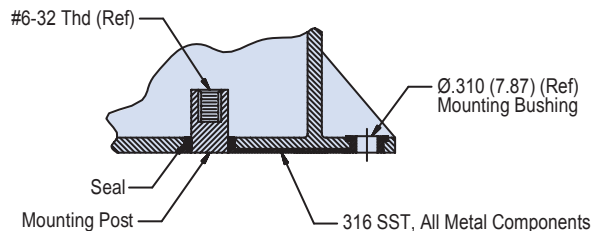


VIEW C-C

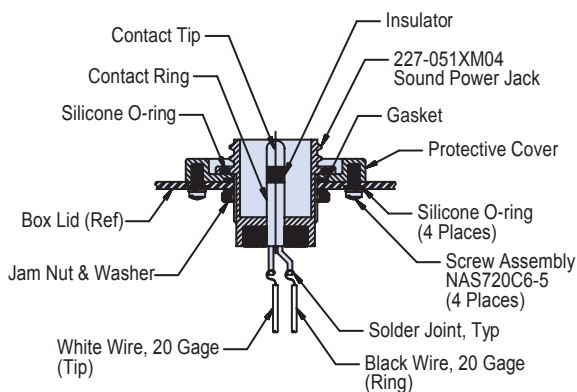
TABLE I: Finish

Symbol	Description
XMS	Internal Surfaces - Electroless Nickel Exterior Surfaces - Unplated Light Grey Color
XO	No Plating

147-021XMS-02
(NSN: 5935-01-572-6657)
Dual Sound Powered Composite Telephone Box



SECTION D-D
Electrical Ground Through Internal
Mounting Post To External Mounting Bushing



SOUND POWER JACK SECTION VIEW
(2 Places)

APPLICATION NOTES

- | | |
|--|--|
| <ol style="list-style-type: none"> 1. Assembly identified with manufacturer's code identification number (Glenair, part number and date code). 2. Color may be subject to fading, however UV exposure will not affect material physical properties. 3. Assembly is similar to symbol part numbers and require installation in accordance with NAVSEA drawing 803-6983506. | <ol style="list-style-type: none"> 4. Material / Finish:
 Box, cover - Thermoplastic grey color/see Table I.
 Hardware - 316 SST/passivate.
 Seals and gaskets - Silicone/N.A.
 Mounting Plate - 300 series SST/passivate. 5. Metric dimensions (mm) are indicated in parentheses. |
|--|--|

Basic Part Number	Finish (See Table I)	Basic Box Number
147-022	XMS -	01

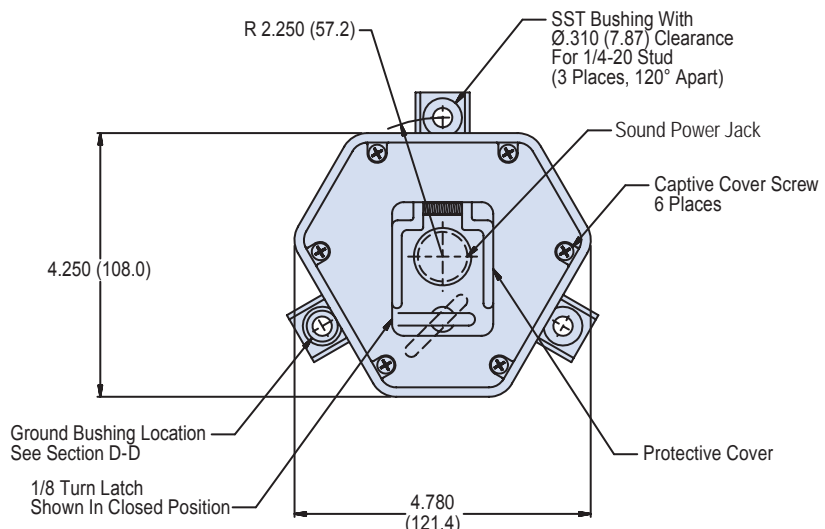
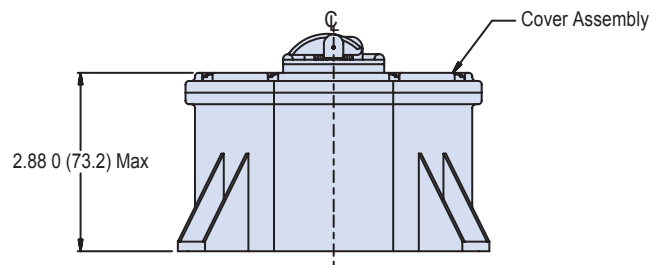


FIGURE 1 TOP VIEW



E

147-022XMS-01
 (NSN: 5935-01-572-5487) (Symbol 2841)
 Single Sound Powered Composite Telephone Box



Junction
Boxes

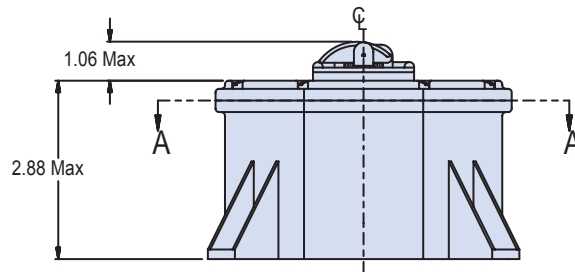
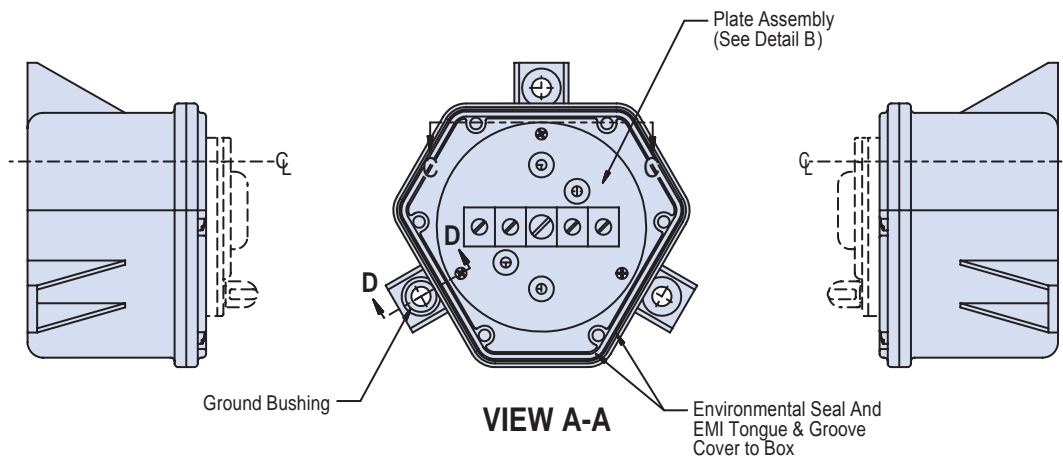
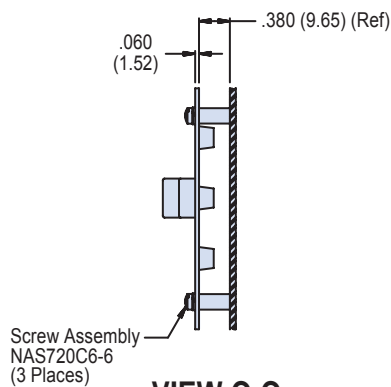
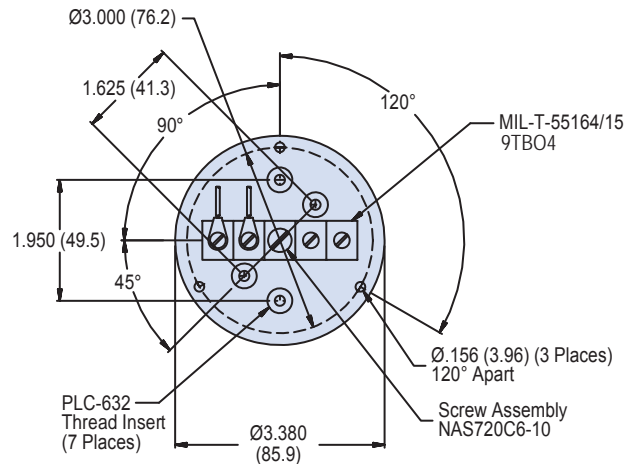


FIGURE 2

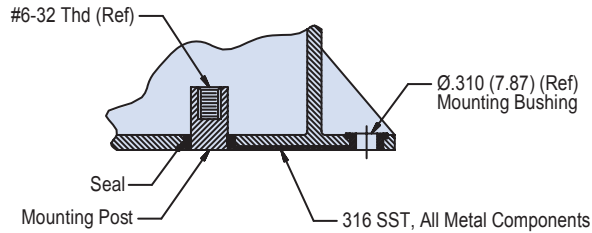


E

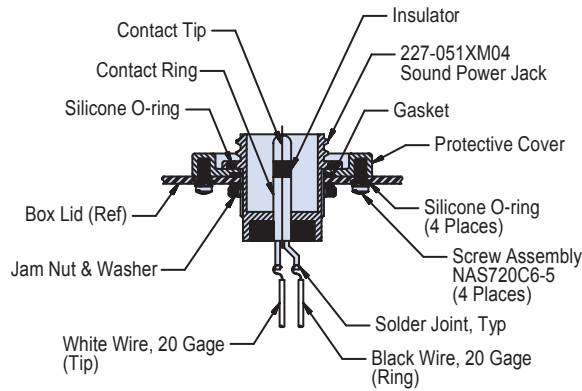


APPLICATION NOTES

1. Assembly identified with manufacturer's code identification number (Glenair, part number and date code).
2. Color may be subject to fading, however UV exposure will not affect material physical properties.
3. Assembly is similar to symbol part numbers and require installation in accordance with NAVSEA drawing 803-6983506.
4. Material / Finish:
 Box, cover - Thermoplastic grey color/see Table I.
 Hardware - 316 SST/passivate.
 Seals and gaskets - Silicone/N.A.
 Mounting Plate - 300 series SST/passivate.
5. Metric dimensions (mm) are indicated in parentheses.



SECTION D-D
 Electrical Ground Through Internal
 Mounting Post To External Mounting Bushing



SOUND POWER JACK SECTION VIEW
 (1 Place)

TABLE I: Finish	
Symbol	Description
XMS	Internal Surfaces - Electroless Nickel Exterior Surfaces - Unplated Light Grey Color
XO	No Plating

Basic Part Number	Finish (See Table I)	Basic Box Number
147-021	XMS	- 01

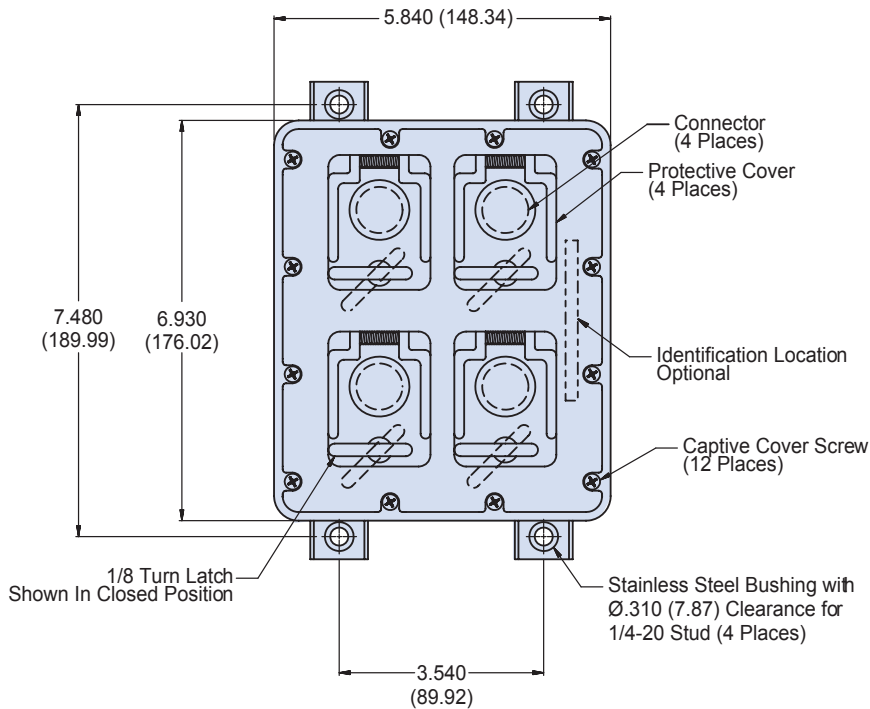


FIGURE 1 TOP VIEW

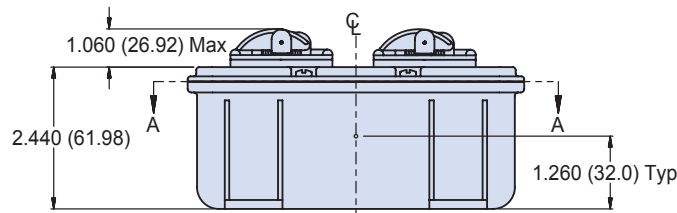


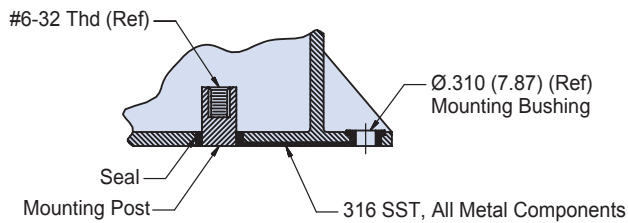
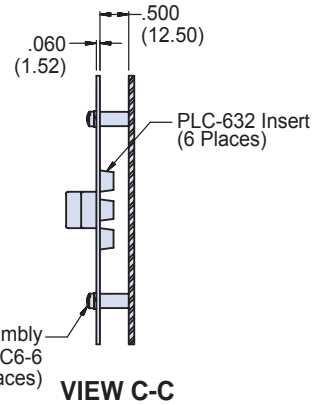
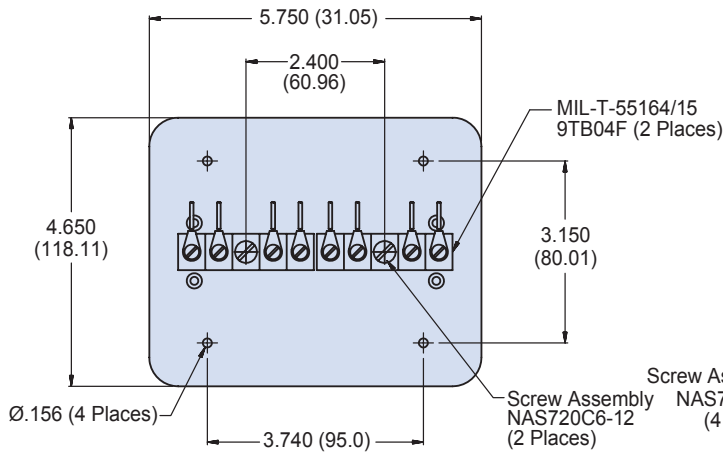
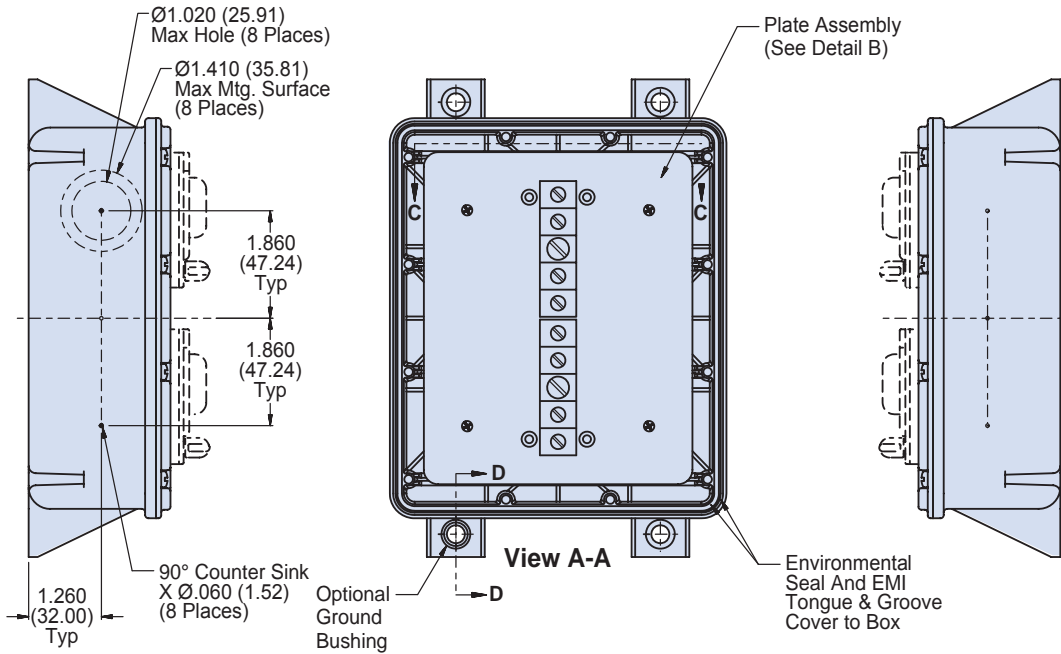
FIGURE 2

E

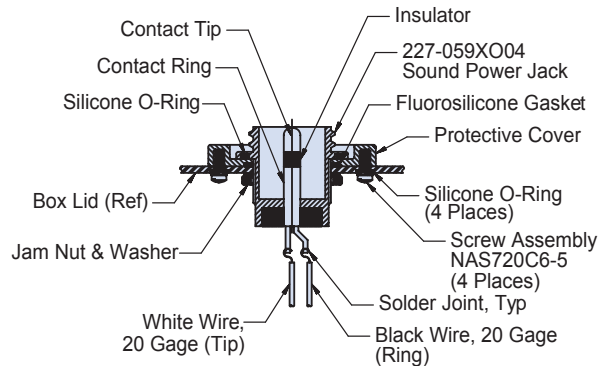
147-021XMS-03
(NSN: 5935-01-572-5631) (Symbol 2843)
Single Sound Powered Composite Telephone Box



Junction
Boxes



SECTION D-D
Electrical Ground Through Internal Mounting Post To External Mounting Bushing



SOUND POWER JACK SECTION VIEW
 (4 Places)

E

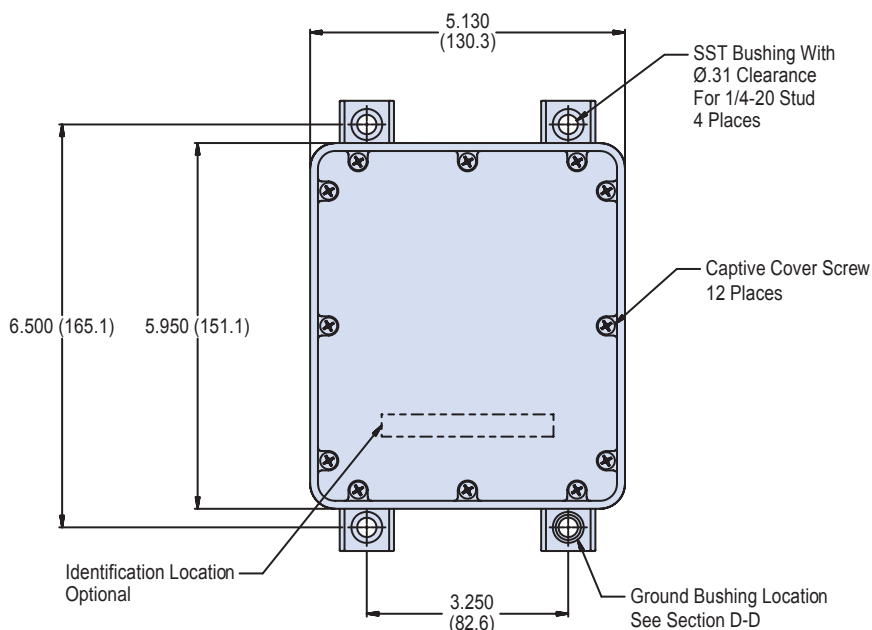
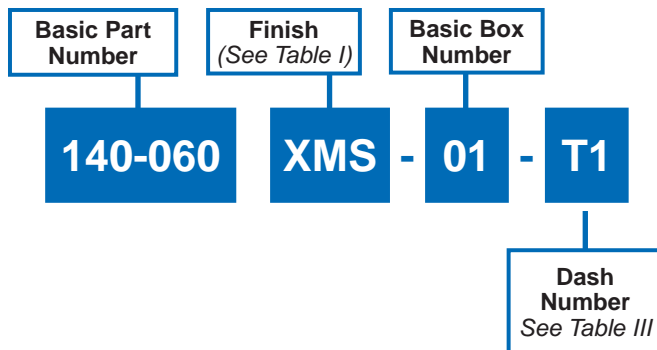
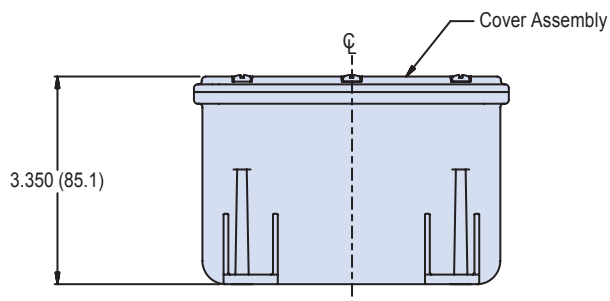
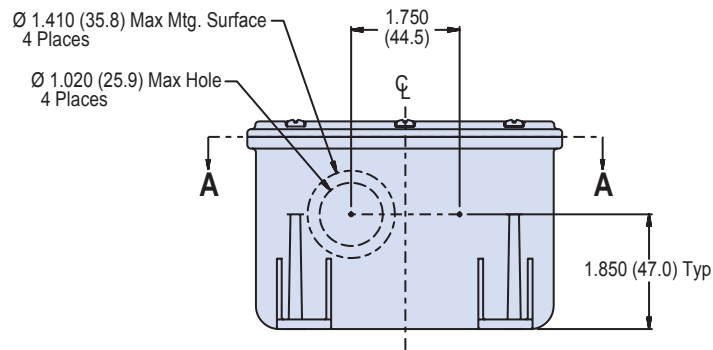
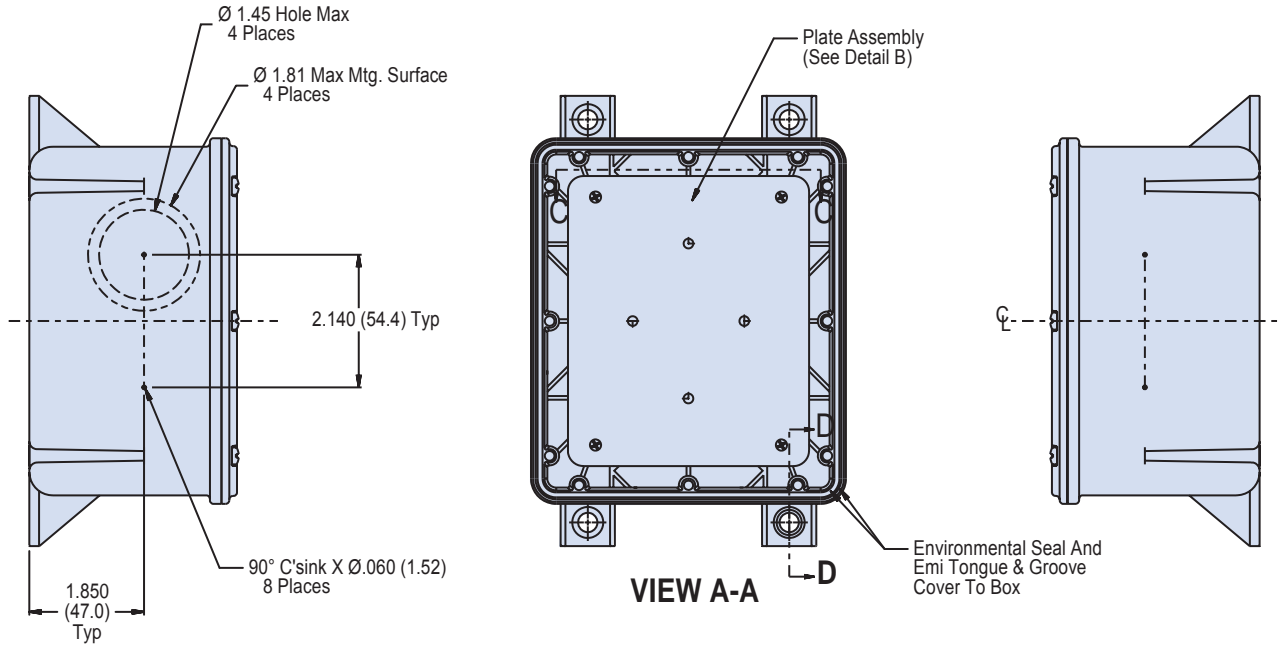


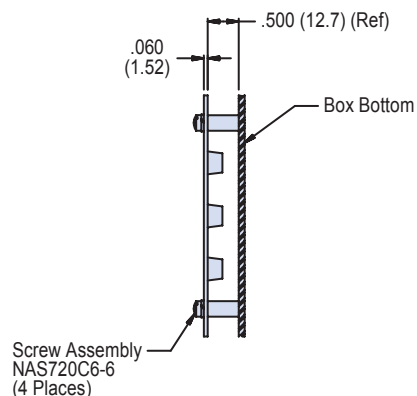
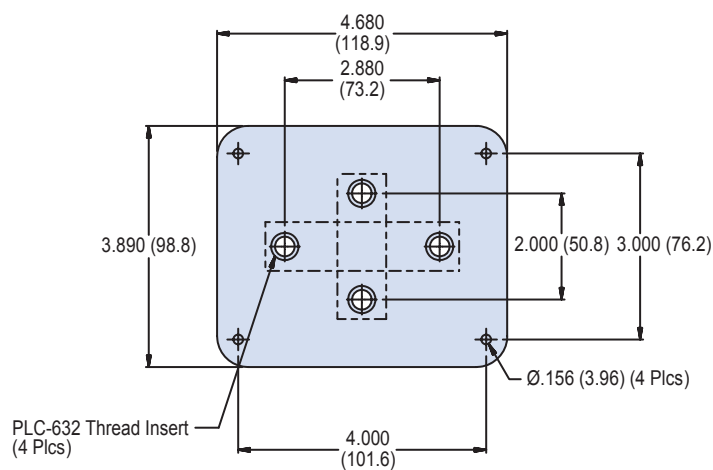
FIGURE 1 TOP VIEW



E

140-060XMS-01
(NSN: 5975-01-556-7957)
10 Terminal Grounded Composite Junction Box
15 Ft. Submersion

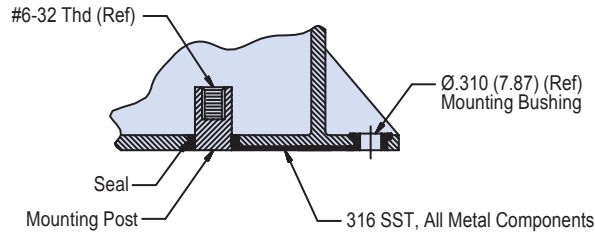




APPLICATION NOTES

1. Assembly identified with manufacturer's code identification number (Glenair, part number and date code).
2. Color may be subject to fading, however UV exposure will not affect material physical properties.
3. Assembly is similar to symbol part numbers and require installation in accordance with NAVSEA drawing 803-6983506.
4. Material / Finish:
 Box, cover - Thermoplastic grey color/see Table I.
 Hardware - 316 SST/passivate.
 Seals and gaskets - Silicone/N.A.
 Mounting Plate - 300 series SST/passivate.
5. Metric dimensions (mm) are indicated in parentheses.

140-060XMS-01
(NSN: 5975-01-556-7957)
Grounded Composite Junction Box
15 Ft. Submersion



SECTION D-D
Electrical Ground Through Internal
Mounting Post To External Mounting Bushing

TABLE I: Finish	
Symbol	Description
XMS	Internal Surfaces - Electroless Nickel Exterior Surfaces - Unplated Light Grey Color
XO	No Plating

TABLE II: Replacement Parts			
Item	Part Number	Description	Material
1	140-065XMS-01	Cover Assembly	Grey Thermoplastic
2	687-499-2	Cover Screw Assembly	316 SST/Passivate
3	687-305Z129	Mounting Plate Assembly	300 SST/Passivate

TABLE III: Mounting Plate Assembly										
Dash No.	2.000" Mntg Holes	2.880" Mntg Holes	MIL-T-55164 A-A-59125	Number of Terminals	Max No of Wires	Recm'd Max Wire Size	Recm'd Lug MS17143	Qty Blocks per Assembly	Symbol Number	Military Specification
01T1	6TB06	-	/12	6	24	#14 AWG	-5	1	-	-
01T2	25TB05	-	/23	5	10	#14 AWG	-17	1	-	-
01T3	-	4TB085	/10	8	32	#12 AWG	-3	1	435.1	MIL-T-24588/2
01T4	-	6TB10	/12	10	30	#14 AWG	-5	1	528	MIL-T-24588/3
01T5	-	15TB10	/19	10	40	#14 AWG	-8	1	-	-
01T6	-	16TB04	/20	4	08	#12 AWG	-3	1	444	MIL-T-24588/18



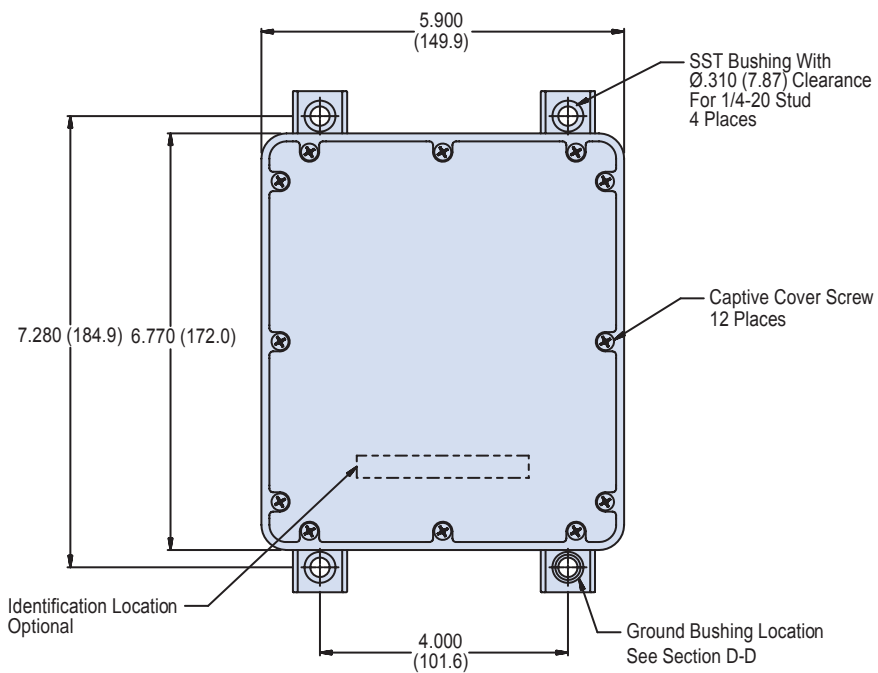
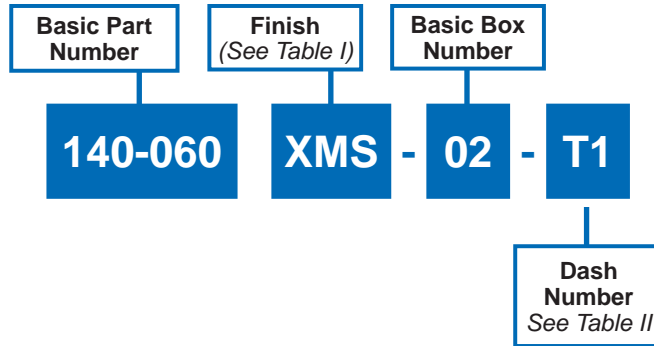
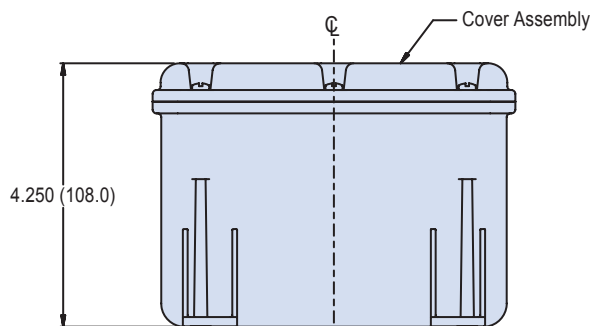


FIGURE 1 TOP VIEW



E

140-060XMS-02
(NSN: 5975-01-557-2672)
Grounded Composite Junction Box
15 Ft. Submersion



Junction
Boxes

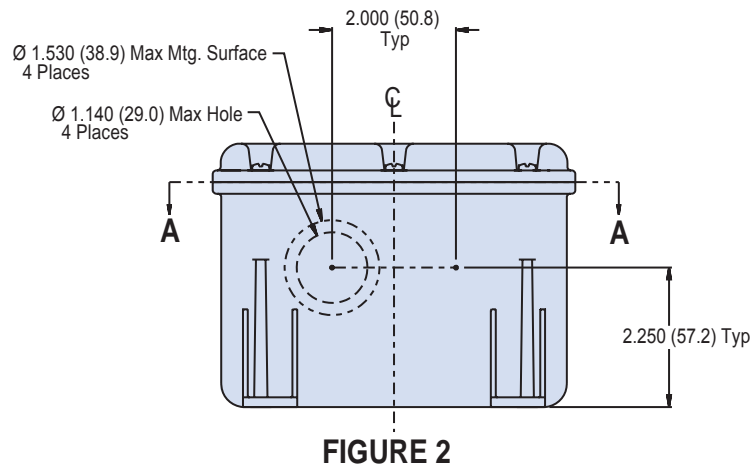
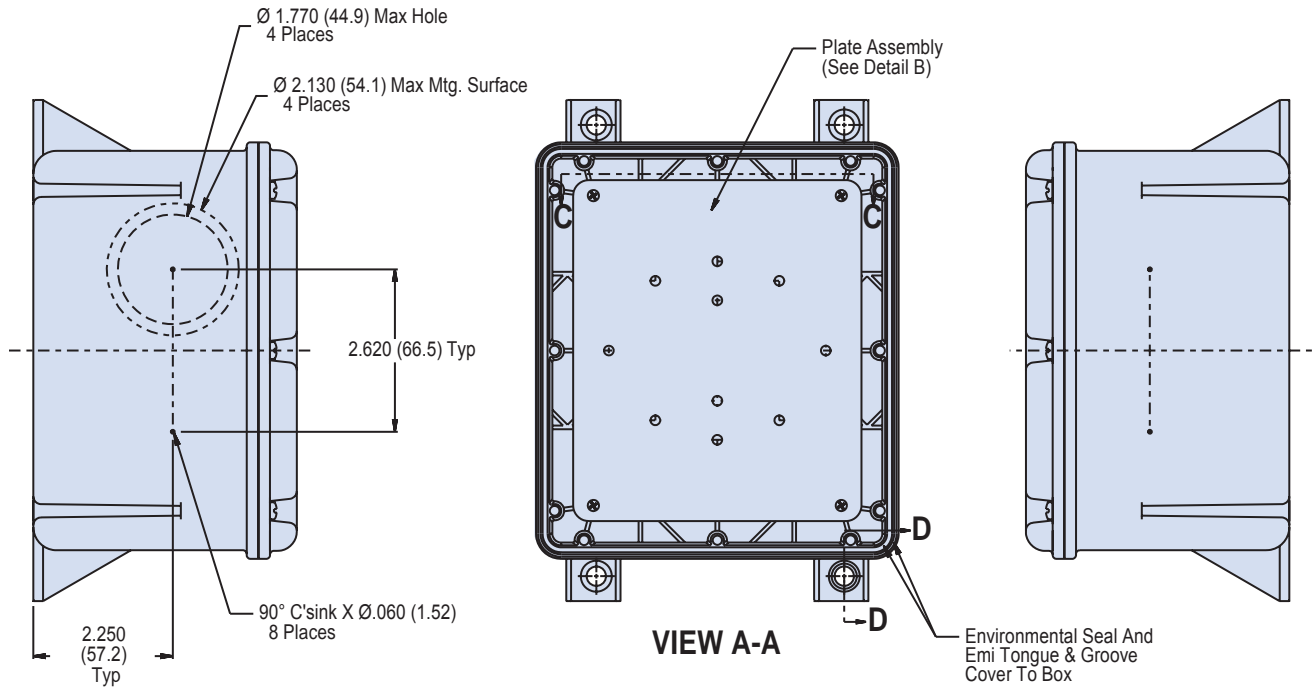
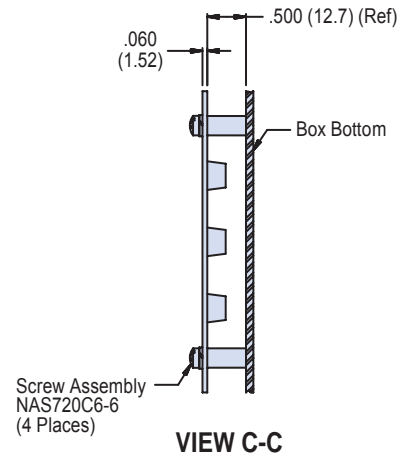
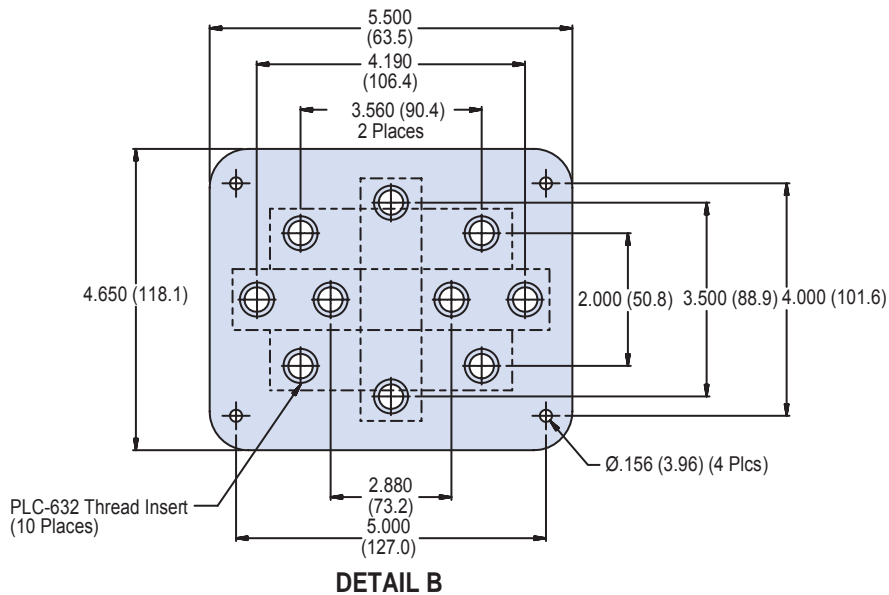


FIGURE 2

E

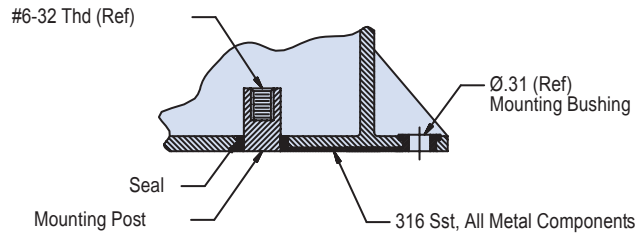


E

APPLICATION NOTES

1. Assembly identified with manufacturer's code identification number (Glenair, part number and date code).
2. Color may be subject to fading, however UV exposure will not affect material physical properties.
3. Assembly is similar to symbol part numbers and require installation in accordance with NAVSEA drawing 803-6983506.
4. Material / Finish:
Box, cover - Thermoplastic grey color/see Table I.
Hardware - 316 SST/passivate.
Seals and gaskets - Silicone/N.A.
Mounting Plate - 300 series SST/passivate.
5. Metric dimensions (mm) are indicated in parentheses.

140-060XMS-02
(NSN: 5975-01-557-2672)
Grounded Composite Junction Box
15 Ft. Submersion



SECTION D-D
Electrical Ground Through Internal
Mounting Post To External Mounting Bushing

TABLE I: Finish	
Symbol	Description
XMS	Internal Surfaces - Electroless Nickel Exterior Surfaces - Unplated Light Grey Color
XO	No Plating

TABLE II: Replacement Parts			
Item	Part Number	Description	Material
1	140-065XMS-17	Cover Assembly	Grey Thermoplastic
2	687-499-2	Cover Screw Assembly	316 SST/Passivate
3	687-305Z130	Mounting Plate Assembly	300 SST/Passivate

TABLE II: Mounting Plate Assembly											
Dash No.	2.000" Mntg Holes	2.880" Mntg Holes	3.500" Mntg Holes	3.560" Mntg Holes	4.190" Mntg Holes	MIL-T-55164 A-A-59125	Number of Terminals	Max No of Wires	Recm'd Max Wire Size	Recm'd Lug MS17143	Qty Blocks per Assembly
02T1	6TB60	-	-	-	-	/12	6	40	#14 AWG	-5	2
02T2	25TB05	-	-	-	-	/23	5	20	#14 AWG	-17	2
02T3	-	4TB08	-	-	-	/10	8	32	#12 AWG	-3	1
02T4	-	5TB0	-	-	-	/12	10	30	#14 AWG	-5	1
02T5	-	15TB0	-	-	-	/19	10	40	#14 AWG	-8	1
02T6	-	16TB04	-	-	-	/20	8 W/ STUD 16 W/O W/O	8	#12 AWG	-3	1
02T7	-	-	8TB08	-	-	/14	10	32	#14 AWG	-11	1
02T8	-	-	-	25TB10	-	/23	10 W/ STUD 20 W/O W/O	40	#14 AWG	-17	2
02T9	-	-	-	26TB10	-	/24	12	80	#16 AWG	-20	2
03210	-	-	-	-	25TB12	/23	12W/ STUD 20 W/O	24	#14 AWG	-17	1
03T11	-	-	-	-	26TB12	/24		48	#16 AWG	-20	1



140-060XMS-03
(NSN: 5975-01-557-2679)
Grounded Composite Junction Box
15 Ft. Submersion

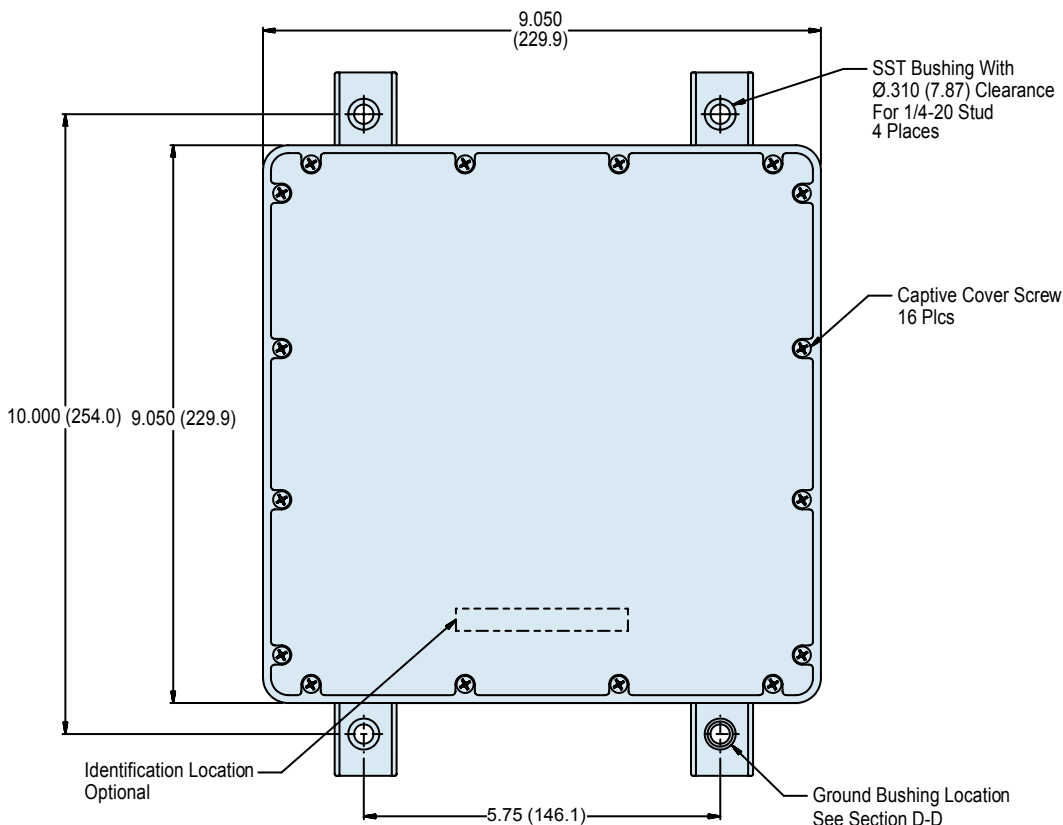
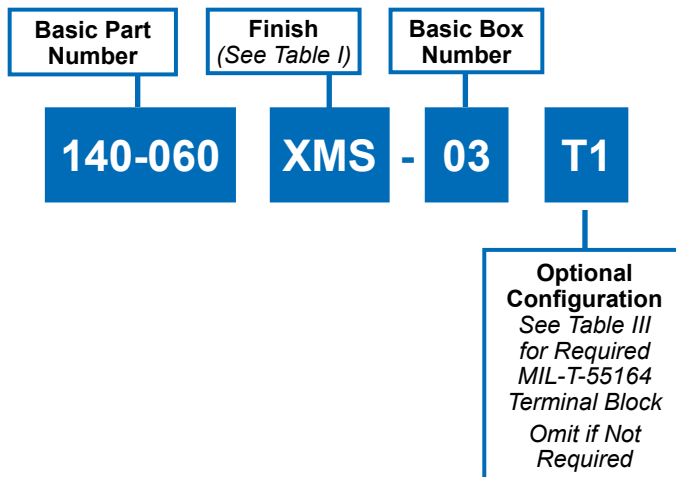


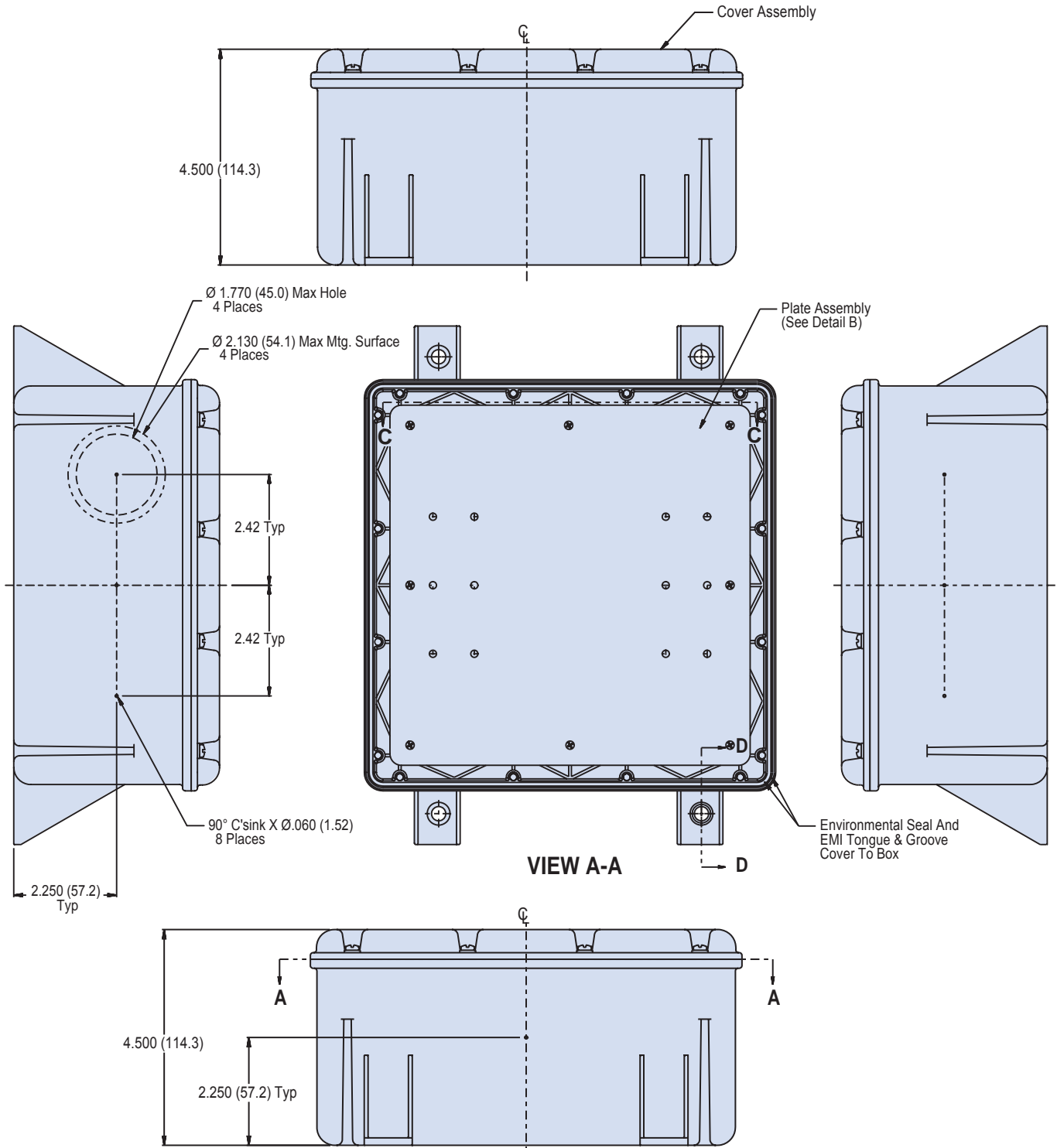
FIGURE 1 TOP VIEW

E

140-060XMS-03
(NSN: 5975-01-557-2679)
Grounded Composite Junction Box
15 Ft. Submersion

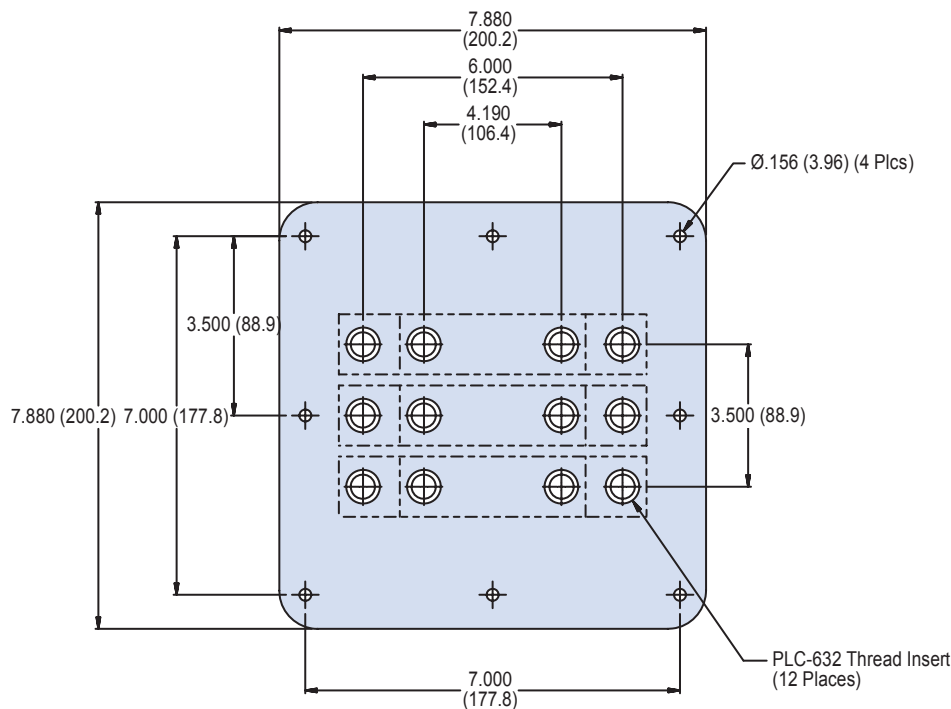


Junction
Boxes

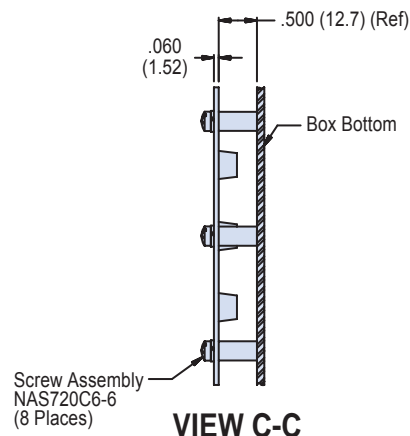


E

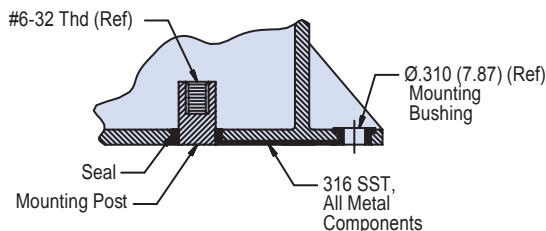
FIGURE 2



DETAIL B



VIEW C-C



SECTION D-D

Electrical Ground Through Internal
 Mounting Post To External Mounting Bushing

APPLICATION NOTES

- | | |
|--|--|
| <ol style="list-style-type: none"> 1. Assembly identified with manufacturer's code identification number (Glenair, part number and date code). 2. Color may be subject to fading, however UV exposure will not affect material physical properties. 3. Assembly is similar to symbol part numbers and require installation in accordance with NAVSEA drawing 803-6983506. | <ol style="list-style-type: none"> 4. Material / Finish:
 Box, cover - Thermoplastic grey color/see Table I.
 Hardware - 316 SST/passivate.
 Seals and gaskets - Silicone/N.A.
 Mounting Plate - 300 series SST/passivate. 5. Metric dimensions (mm) are indicated in parentheses. |
|--|--|

140-060XMS-03
(NSN: 5975-01-557-2679)
Grounded Composite Junction Box
15 Ft. Submersion



TABLE I: Finish	
Symbol	Description
XMS	Internal Surfaces - Electroless Nickel Exterior Surfaces - Unplated Light Grey Color
XO	No Plating

TABLE II: Replacement Parts			
Item	Part Number	Description	Material
1	140-065XMS-15	Cover Assembly	Grey Thermoplastic
2	687-499-2	Cover Screw Assembly	316 SST/Passivate
3	687-305Z131	Mounting Plate Assembly	300 SST/Passivate

TABLE III: MIL-T-55164 Terminal Block	
Part Number	National Stock Number
140-060XMS-03	5935-01-557-2679
140-060XMS-03T1	5940-01-556-9489
140-060XMS-03T2	5940-01-557-2564
140-060XMS-03T5	5940-01-5576-2578
140-060XMS-03T9	5940-01-557-2582
140-060XMS-03T10	5940-01-556-9494
140-060XMS-03T11	5940-01-557-2563
140-060XMS-03T12	5940-01-556-9499

TABLE IV: Mounting Plate Assembly										
Dash No.	6.000" Mntg Holes	4.190" Mntg Holes	MIL-T-55164 A-A-59125	Number of Terminals	Max No of Wires	Recm'd Max Wire Size	Recm'd Lug MS17143	Qty Blocks per Assembly	Symbol Number	Military Specification
03T1	4TB20	-	/10	20	80	#12 AWG	-3	1	432.1	MIL-T-24558/4
03T2	6TB06F/24	-	/12	30	90	#14 AWG	-5	2	434	MIL-T-24558/5
03T3	10TB28	-	/16	56	168	#14 AWG	-	2	-	-
03T4	15TB24	-	/19	48	144	#14 AWG	-8	2	-	-
03T5	16TB10	-	/20	10	20	#12 AWG	-3	1	529	MIL-T-24588/20
03T6	17TB10	-	/21	10W/STUD 20 W/O	80	#12 AWG	-3	2	-	-
03T7	-	25TB12	/23	36	72	#14 AWG	-17	3	-	-
03T8	-	26TB12	/24	24W/STUD 48 W/O	96	#16 AWG	-20	2	-	-
03T9	4TB20	-	/10	40	160	#12 AWG	-3	2	433.1	MIL-T-24588/6
03T10	6TB24	-	/12	48	144	#14 AWG	-5	2	522.1	MIL-T-24588/7
03T11	4TB20T	-	/10	60	240	#12 AWG	-3	3	446	MIL-T-24588/8
03T12	6TB24	-	/12	72	216	#14 AWG	-5	3	525	MIL-T-24588/9

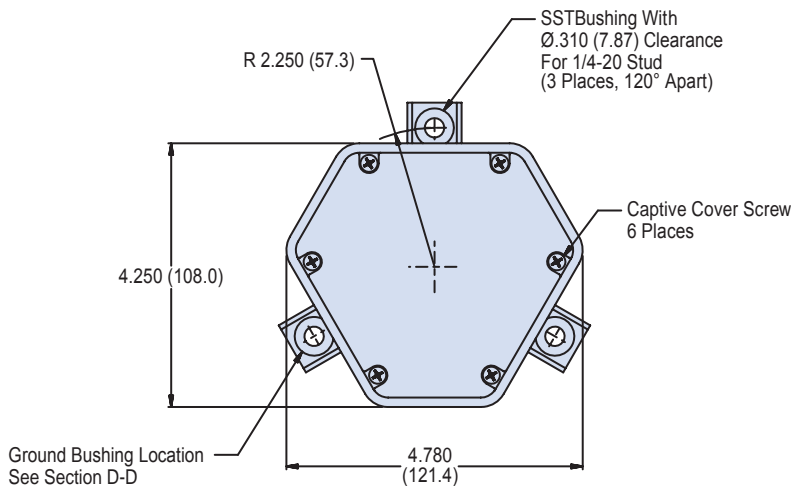
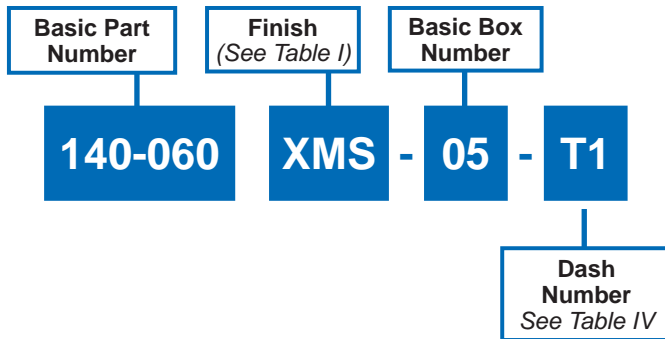
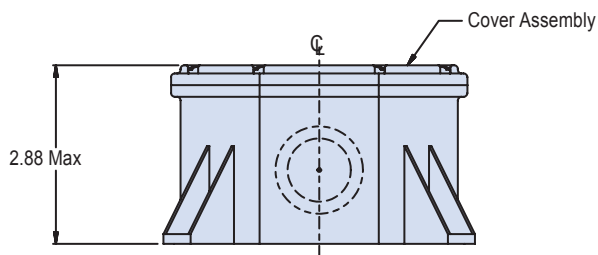


FIGURE 1 TOP VIEW

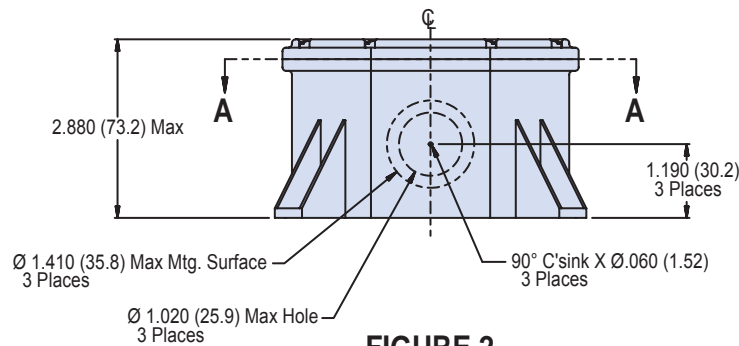
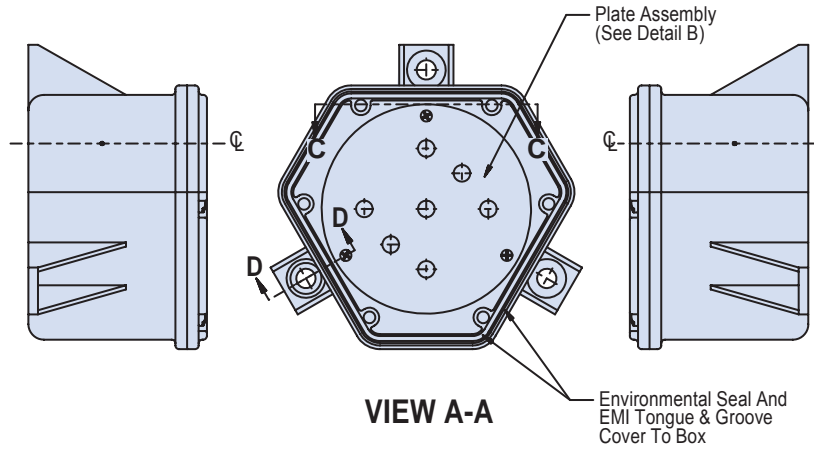


E

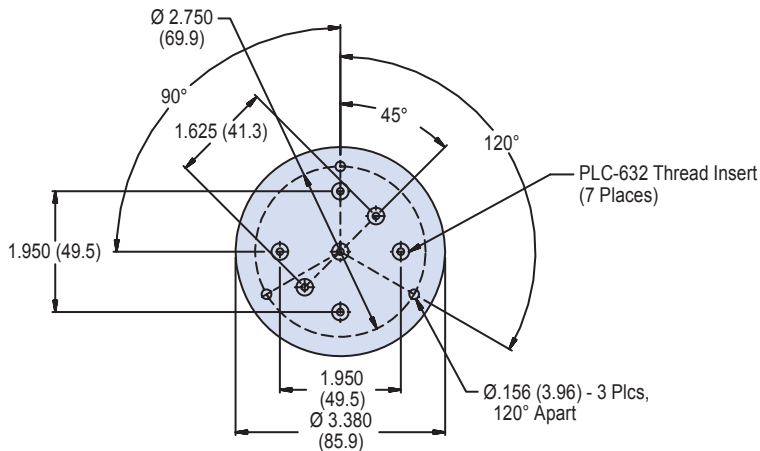
140-060XMS-05
(NSN: 5975-01-556-7948)
Grounded Composite Junction Box
15 Ft. Submersion • Size 4.3 x 4.8 x 2.9



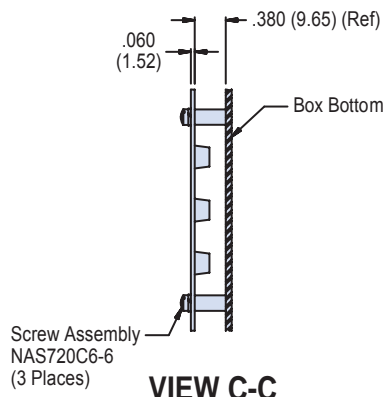
Junction
Boxes



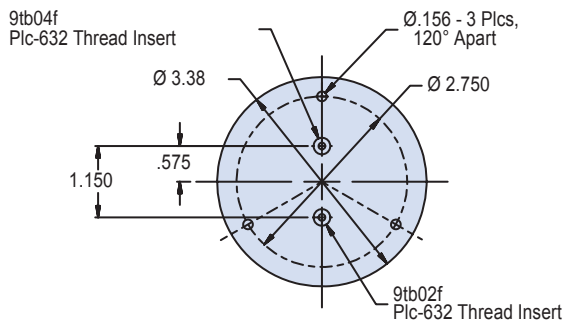
E



DETAIL B
 Dash No.'s T1, T2 & T3



VIEW C-C

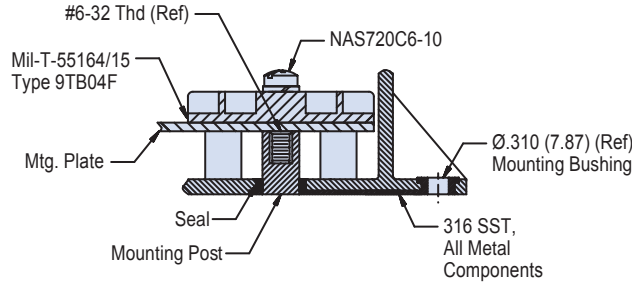


DETAIL B
 Dash No. T4 Only

APPLICATION NOTES

1. Assembly identified with manufacturer's code identification number (Glenair, part number and date code).
2. Color may be subject to fading, however UV exposure will not affect material physical properties.
3. Assembly is similar to symbol part numbers and require installation in accordance with NAVSEA drawing 803-6983506.
4. Material / Finish:
 Box, cover - Thermoplastic grey color/see Table I.
 Hardware - 316 SST/passivate.
 Seals and gaskets - Silicone/N.A.
 Mounting Plate - 300 series SST/passivate.
5. Metric dimensions (mm) are indicated in parentheses.

140-060XMS-05
(NSN: 5975-01-556-7948)
Grounded Composite Junction Box
15 Ft. Submersion • Size 4.3 x 4.8 x 2.9



SECTION VIEW D-D
Terminal Block Mounting Plate, Internal
Mounting Post And External Mounting Bushing
(Ground Option Shown)

TABLE I: Finish	
Symbol	Description
XMS	Internal Surfaces - Electroless Nickel Exterior Surfaces - Unplated Light Grey Color
XO	No Plating

TABLE II: MIL-T-55164 Terminal Block	
Part Number	National Stock Number
140-060XMS-05	5975-01-556-7948
140-060XMS-05T1	5940-01-557-2579
140-060XMS-05T4	5940-01-557-2712

TABLE III: Replacement Parts			
Item	Part Number	Description	Material
1	140-065XMS-14	Cover Assembly	Grey Thermoplastic
2	687-499-2	Cover Screw Assembly	316 SST/Passivate
3	687-305Z131	Mounting Plate Assembly	300 SST/Passivate

TABLE IV: Mounting Plate Assembly										
Dash No.	1.950" Mntg Holes	1.625" Mntg Holes	MIL-T-55164 A-A-59125	Number of Terminals	Max No of Wires	Recm'd Max Wire Size	Recm'd Lug MS17143	Qty Blocks per Assembly	Symbol Number	Military Specification
05T1	9TB04	-	/15	4	8	#12 AWG	-	1	-	-
05T2	6TB06	-	/12	6	18	#14 AWG	-5	1	520.1	MIL-T-24588/1
05T3	25TB05	-	/23	5	10	#14 AWG	-17	1	-	-
05T4	T4 Detail	-	/15	6	12	-	-	2	400	MIL-T-24588/18



147-023XMS-02
(NSN: 5940-01-557-2667) (Symbol 1099.1)
SNR, 15 Amp, 115 V Blade Type Receptacle Composite Box
Grounded • Size 4.3 x 4.8 x 2.9

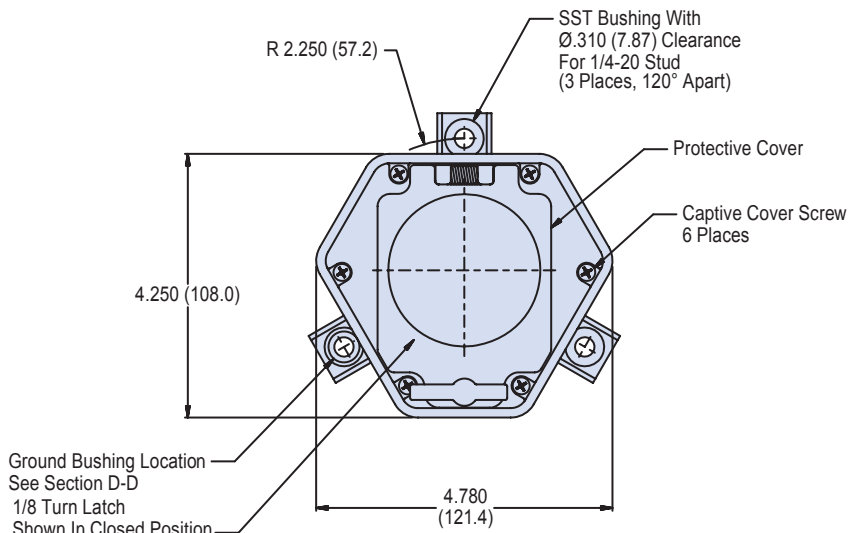
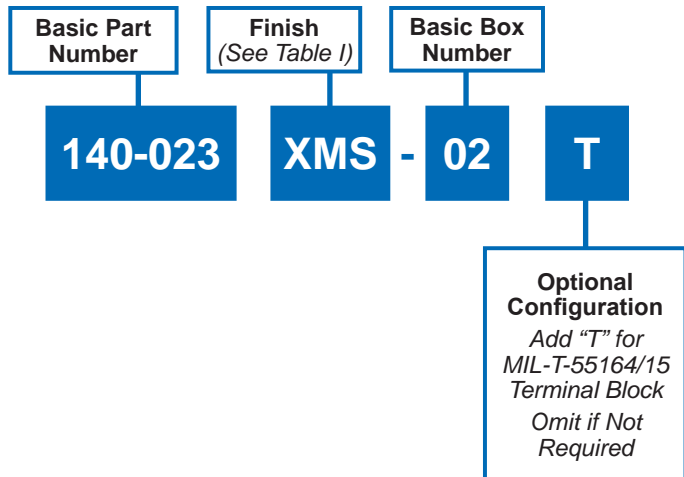
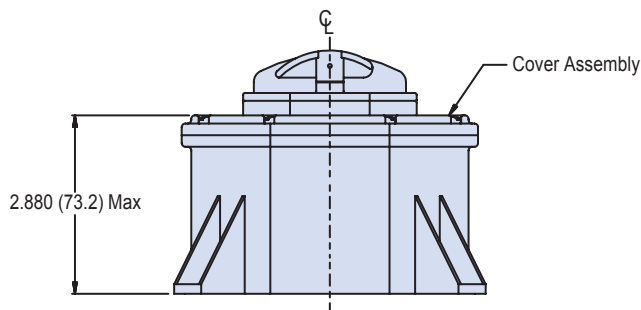


FIGURE 1 TOP VIEW



E

147-023XMS-02
(NSN: 5940-01-557-2667) (Symbol 1099.1)
SNR, 15 Amp, 115 V Blade Type Receptacle Composite Box
Grounded • Size 4.3 x 4.8 x 2.9



Junction
Boxes

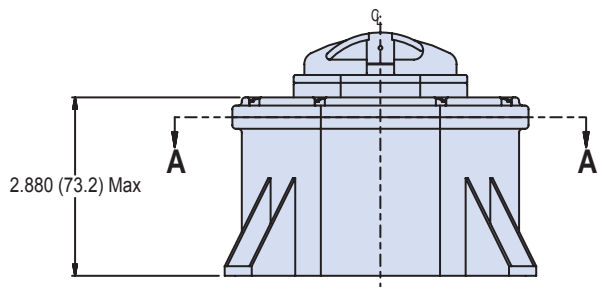
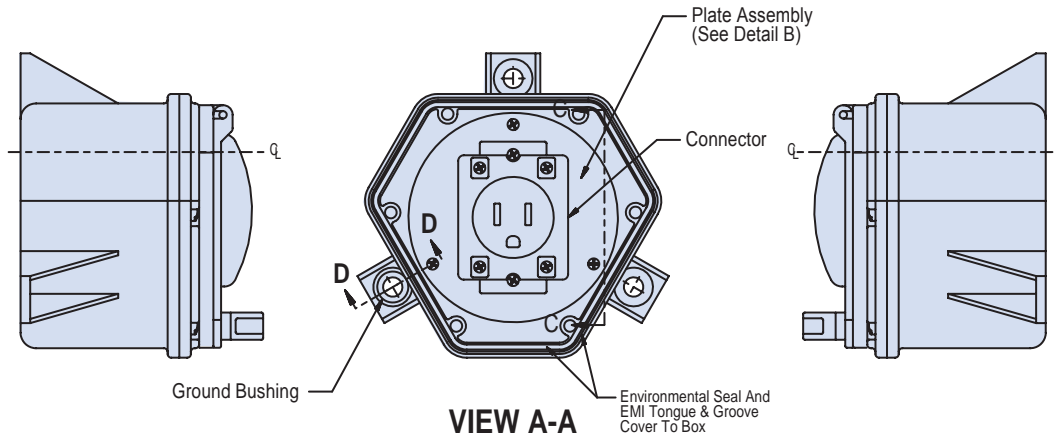
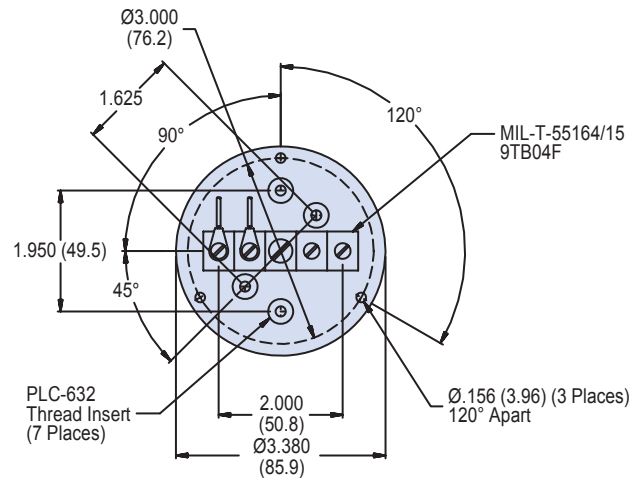
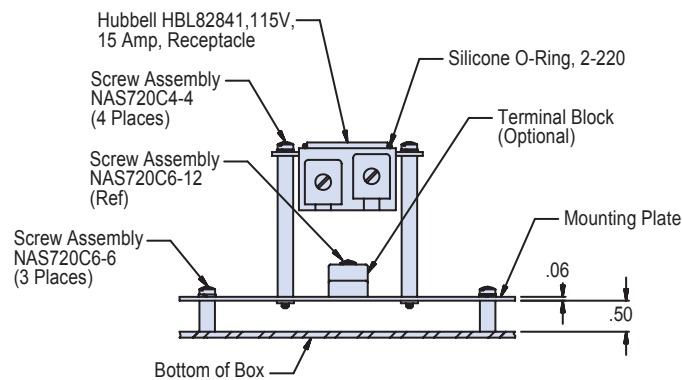


FIGURE 2

E



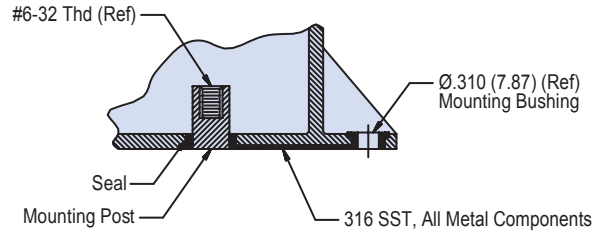
DETAIL B



VIEW C-C

APPLICATION NOTES

1. Assembly identified with manufacturer's code identification number (Glenair, part number and date code).
2. Color may be subject to fading, however UV exposure will not affect material physical properties.
3. Assembly is similar to symbol part numbers and require installation in accordance with NAVSEA drawing 803-6983506.
4. Material / Finish:
 Box, cover - Thermoplastic grey color/see Table I.
 Hardware - 316 SST/passivate.
 Seals and gaskets - Silicone/N.A.
 Mounting Plate - 300 series SST/passivate.
5. Metric dimensions (mm) are indicated in parentheses.



SECTION D-D
Electrical Ground Through Internal
Mounting Post To External Mounting Bushing

TABLE I: Finish	
Symbol	Description
XMS	Internal Surfaces - Electroless Nickel Exterior Surfaces - Unplated Light Grey Color
XO	No Plating

TABLE II: Replacement Parts			
Item	Part Number	Description	Material
1	140-065XMS-18	Cover Assembly	Grey Thermoplastic
2	687-499-2	Cover Screw Assembly	316 SST/Passivate
3	687-305Z132	Mounting Plate Assembly	300 Series SST
4	630-038XO-04K	1/8 Turn Flop Lid	Grey Thermoplastic
5	HBL8284I	Electrical Connector	N/A



147-023XMS-01
(NSN: 5940-01-557-2645)
15 Amp, 115 V Blade Type Receptacle Composite Box
Grounded • Size 4.3 x 4.8 x 2.9

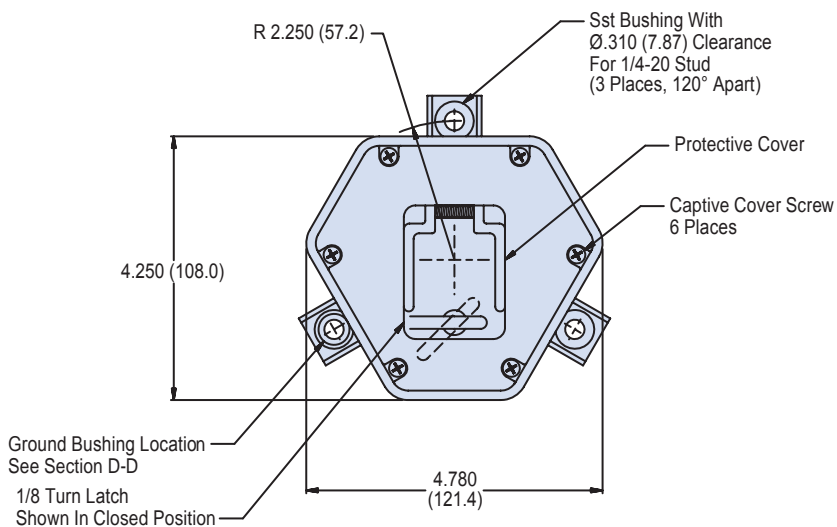
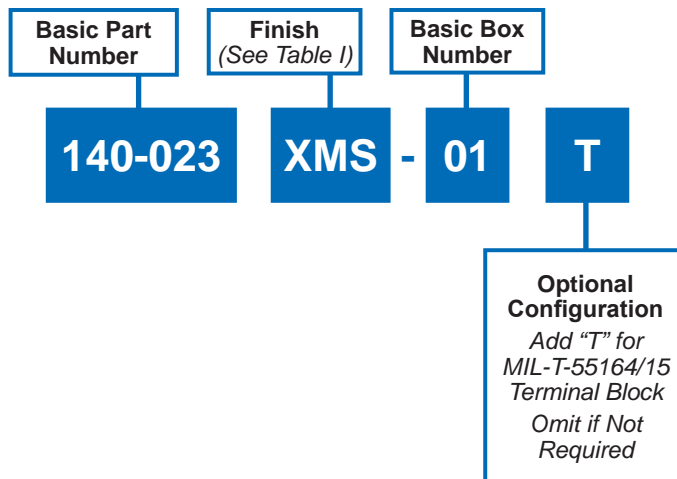
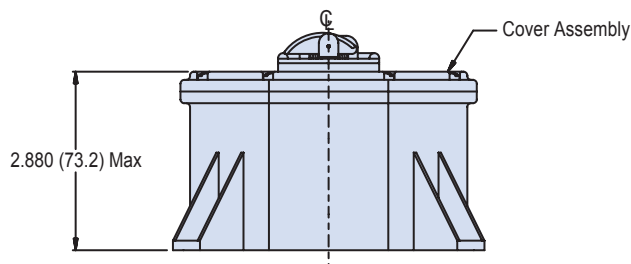


FIGURE 1 TOP VIEW

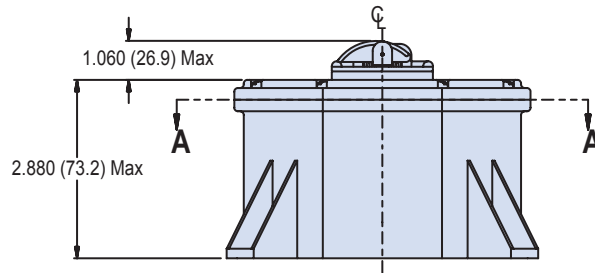
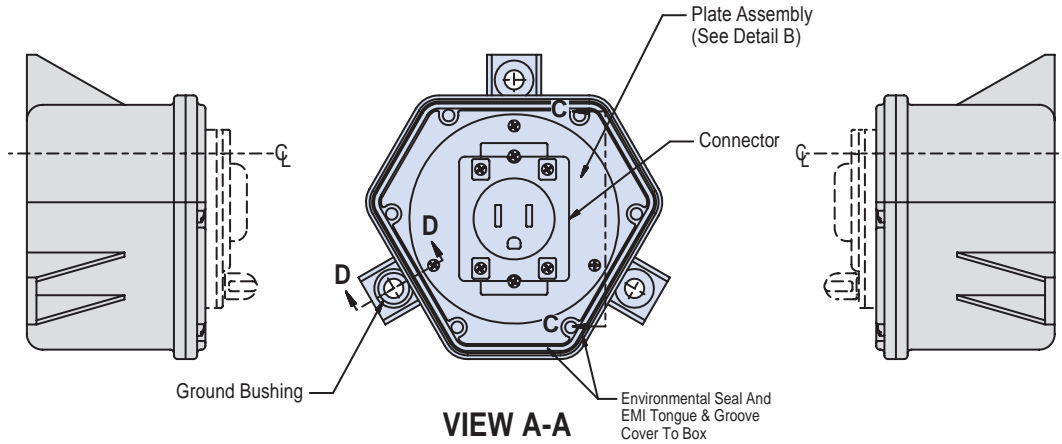


E

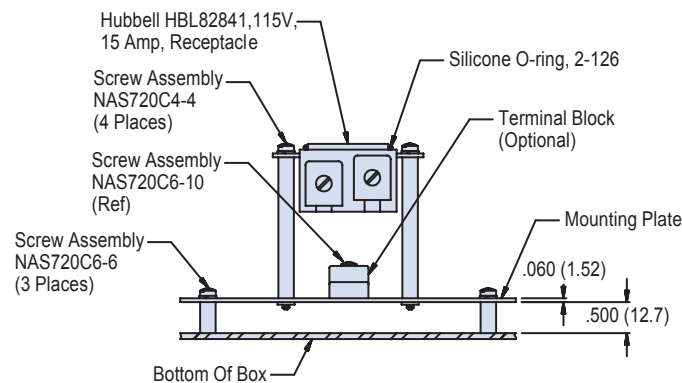
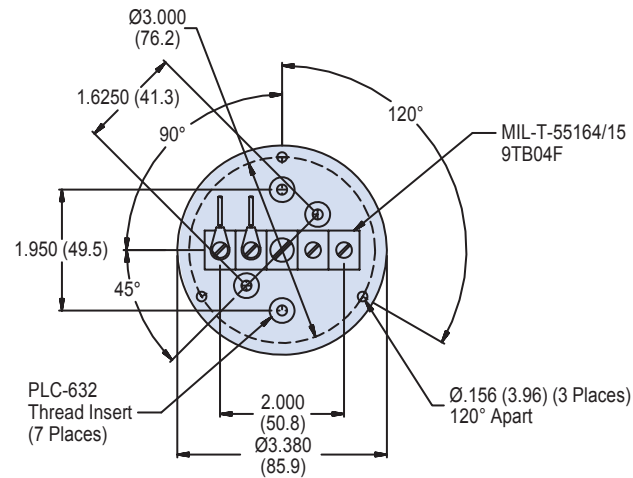
147-023XMS-01
(NSN: 5940-01-557-2645)
15 Amp, 115 V Blade Type Receptacle Composite Box
Grounded • Size 4.3 x 4.8 x 2.9



Junction
Boxes

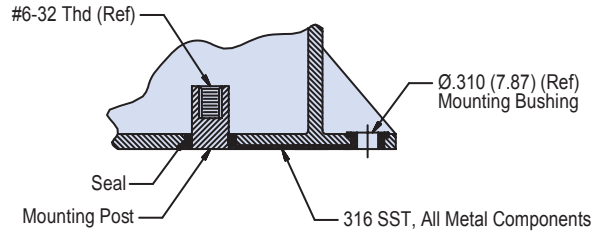


E



APPLICATION NOTES

1. Assembly identified with manufacturer's code identification number (Glenair, part number and date code).
2. Color may be subject to fading, however UV exposure will not affect material physical properties.
3. Assembly is similar to symbol part numbers and require installation in accordance with NAVSEA drawing 803-6983506.
4. Material / Finish:
 Box, cover - Thermoplastic grey color/see Table I.
 Hardware - 316 SST/passivate.
 Seals and gaskets - Silicone/N.A.
 Mounting Plate - 300 series SST/passivate.
5. Metric dimensions (mm) are indicated in parentheses.
6. Not for use with thread collar receptacle, see 147-023XMS-02.



SECTION D-D

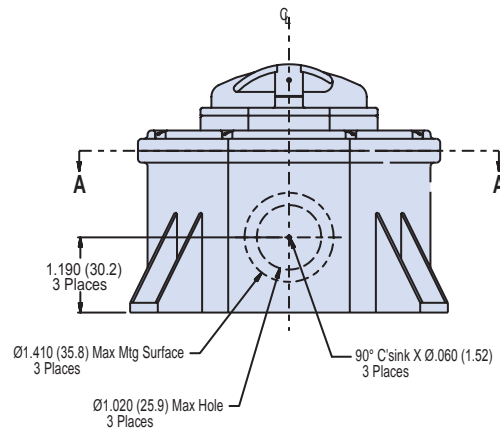
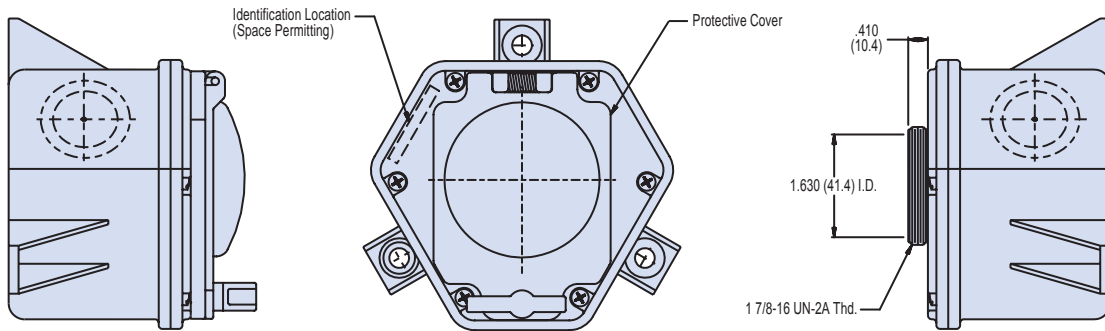
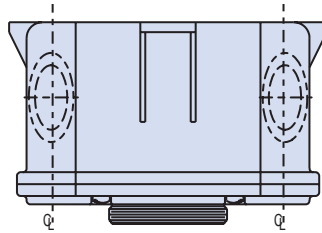
**Electrical Ground Through Internal
 Mounting Post To External Mounting Bushing**

TABLE I: Finish

Symbol	Description
XMS	Internal Surfaces - Electroless Nickel Exterior Surfaces - Unplated Light Grey Color
XO	No Plating

TABLE II: Replacement Parts

Item	Part Number	Description	Material
1	140-065XMS-13	Cover Assembly	Grey Thermoplastic
2	687-499-2	Cover Screw Assembly	316 SST/Passivate
3	687-305Z132	Mounting Plate Assembly	300 Series SST
4	630-038XO-04K	1/8 Turn Flop Lid	Grey Thermoplastic
5	HBL8284I	Electrical Connector	N/A



147-032XMS-0005G
(NSN: 5940-01-557-2719) (Symbol 101)
125 AMP Blade Type Receptacle Composite Electrical Box
Grounded

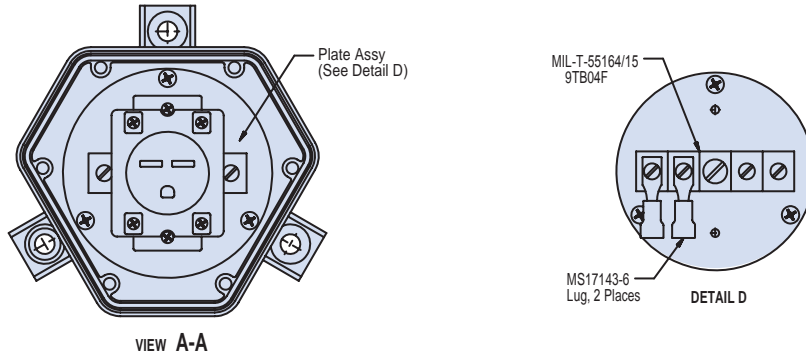
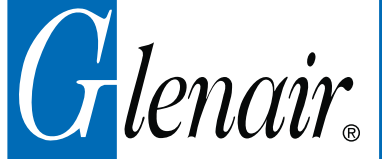
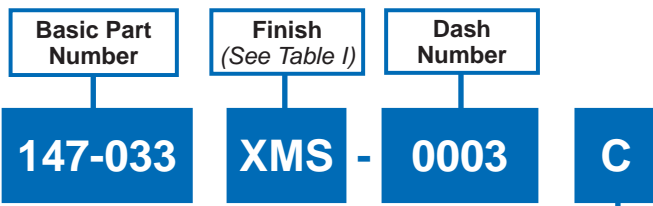
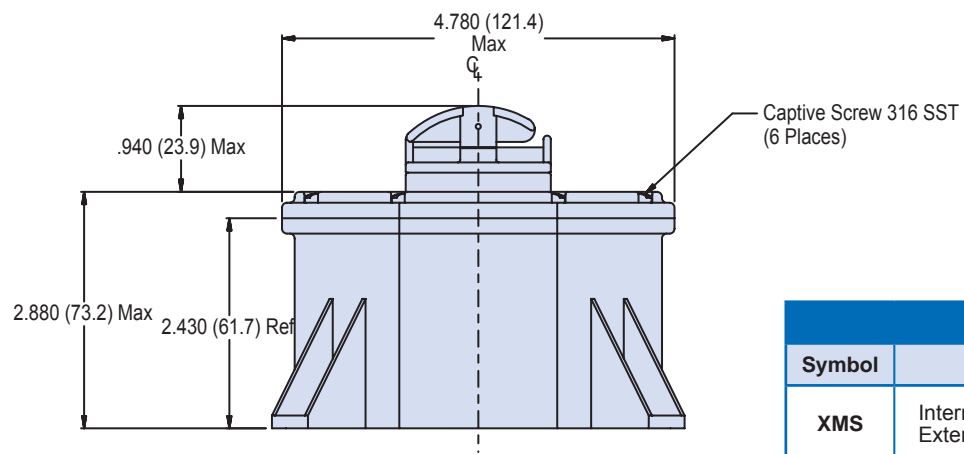
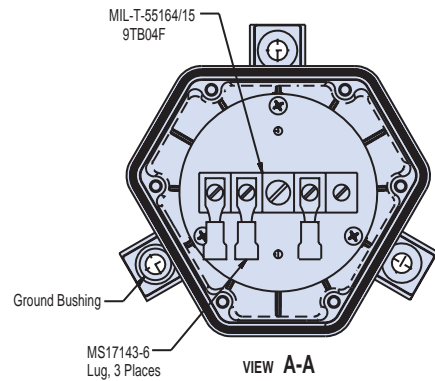
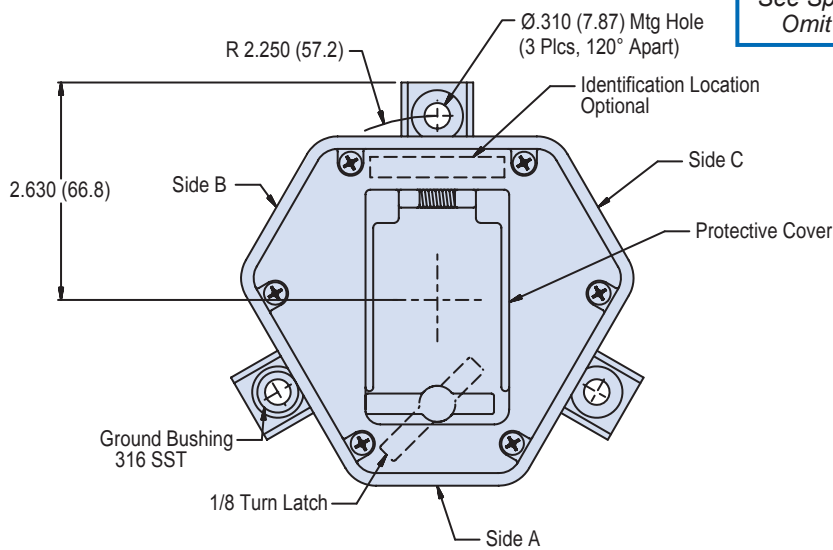


TABLE I: Finish	
Symbol	Description
XMS	Internal Surfaces - Electroless Nickel Exterior Surfaces - Unplated Light Grey Color
XO	No Plating

APPLICATION NOTES	
1.	Assembly identified with manufacturer's code identification number (Glenair, part number and date code).
2.	Accommodates one each, 115V or 125V, 15 Amp electrical connector receptacle (See Detail B).
3.	Material / Finish: Box, cover - Thermoplastic grey color/see Table I. Hardware - 316 SST/passivate. Seals and gaskets - Silicone/N.A. Mounting Plate - Al alloy/electroless nickel or 300 series SST/passivate.
4.	Metric dimensions (mm) are indicated in parentheses.



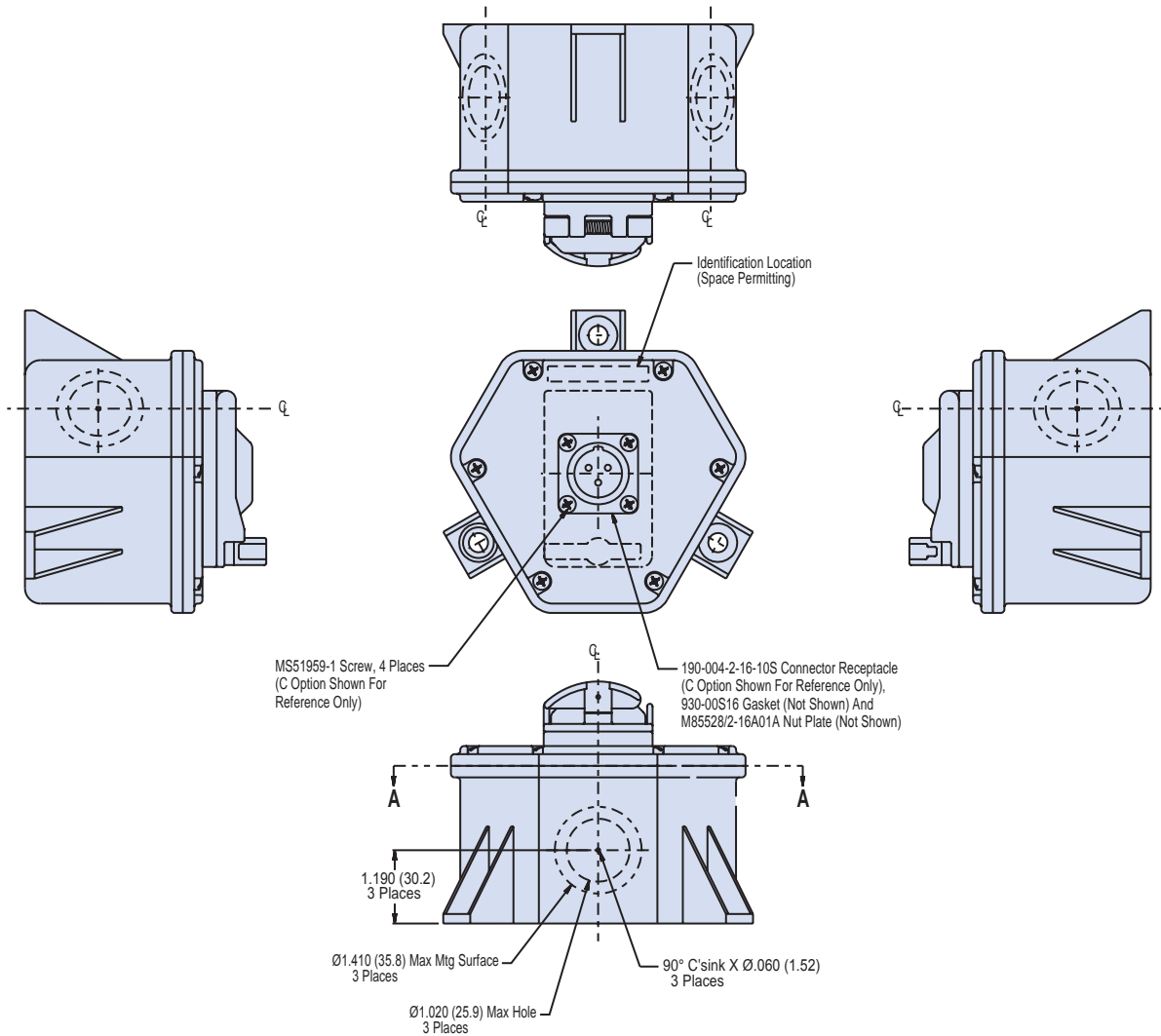
C Option Supplied with Connector Assembly
 See Specific Eng. Dwg.
 Omit if Not Required



E

TABLE I: Finish	
Symbol	Description
XMS	Internal Surfaces - Electroless Nickel Exterior Surfaces - Unplated Light Grey Color
XO	No Plating

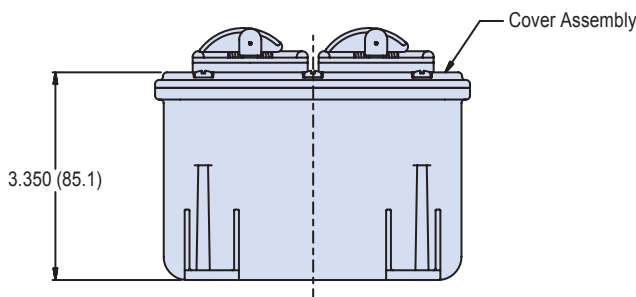
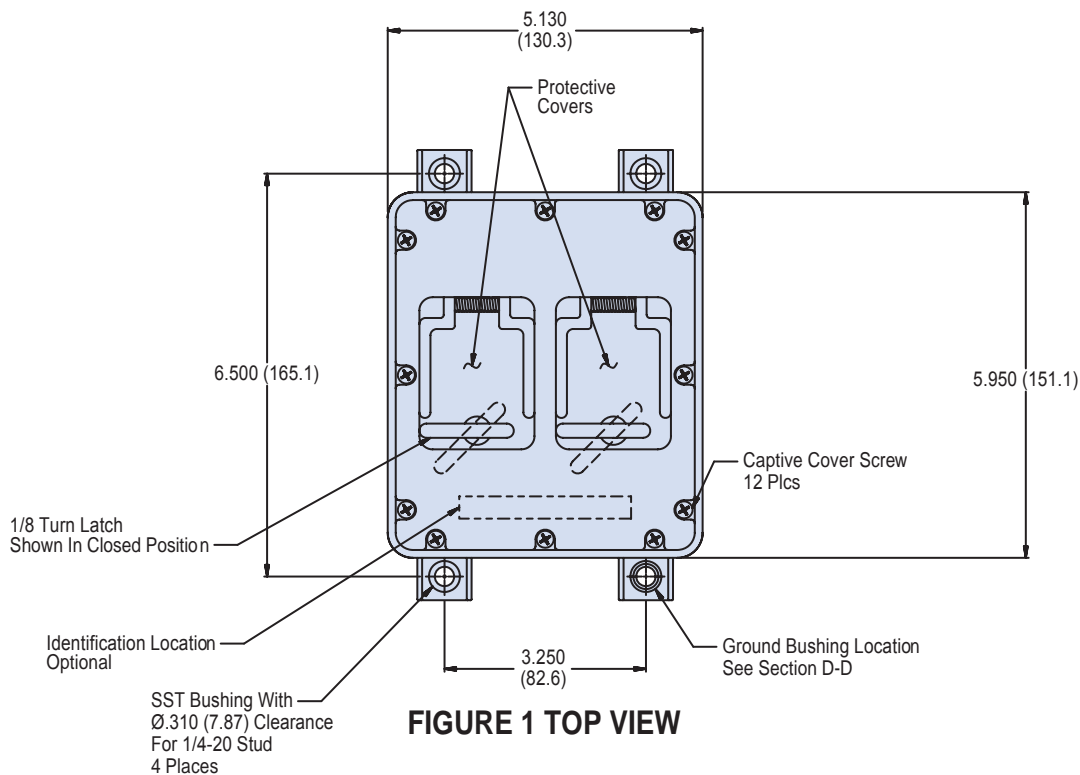
147-033XMS-0003
(NSN: 5940-01-557-2725)
EMI/Environmental Composite Electrical Box
for MS3402 Receptacle Connector • Grounded



APPLICATION NOTES

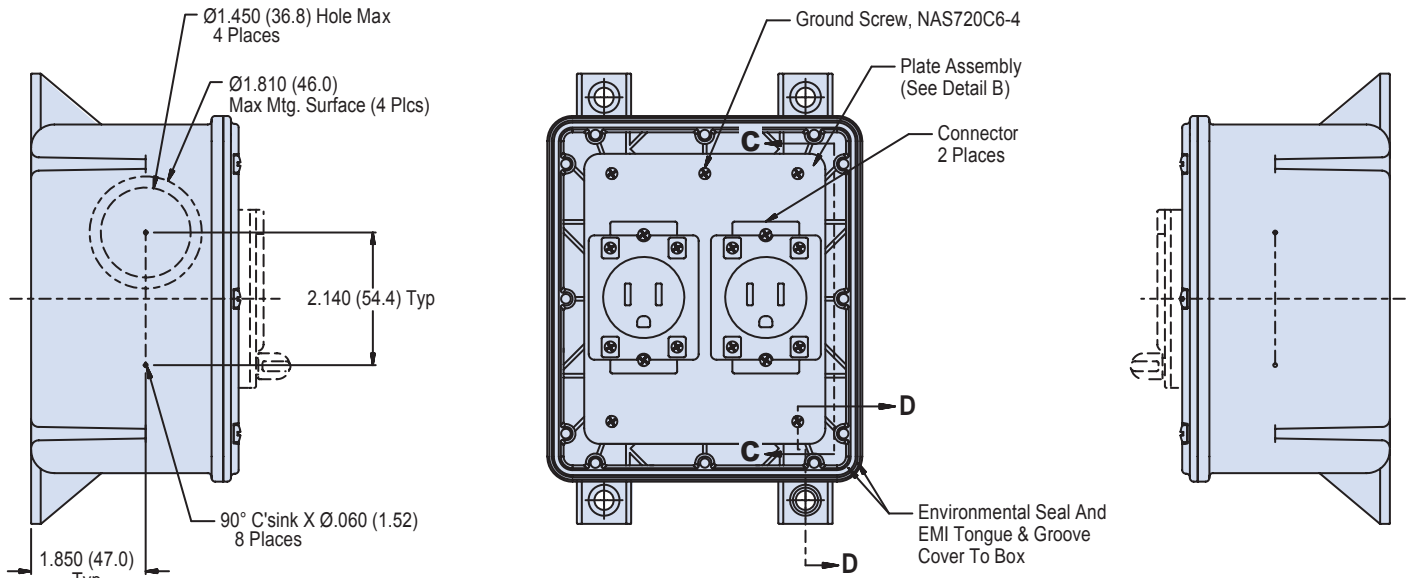
1. Assembly identified with manufacturer's code identification number (Glenair, part number and date code).
2. Material / Finish:
 Box, cover - Thermoplastic grey color/see Table I.
 Hardware - 316 SST/passivate.
 Seals and gaskets - Silicone/N.A.
 Mounting Plate - 300 series SST/passivate.
3. Glenair recommended mating connector plug and backshell: 190-004-6-16-10P.
4. Metric dimensions (mm) are indicated in parentheses.

Basic Part Number	Finish (See Table I)	Basic Box Number
147-020	XMS	02



E

147-020XMS-02
(NSN: 5975-01-556-9504)
Dual Electrical Blade Type Receptacle Composite Box
15 Amp, 125 Volt 60 Hz, Grounded • Size 6.0 x 5.2 x 3.4



VIEW A-A

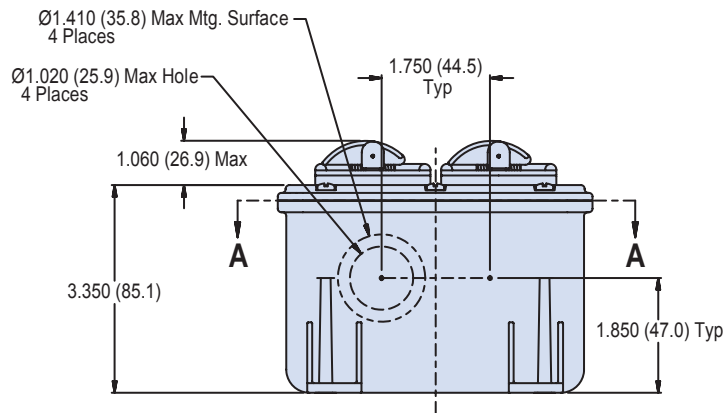
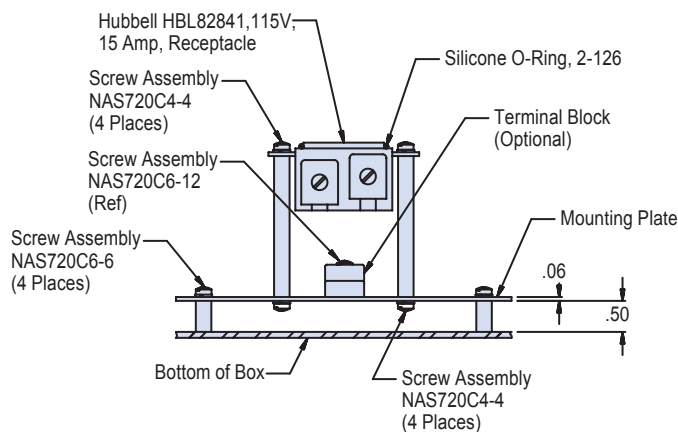
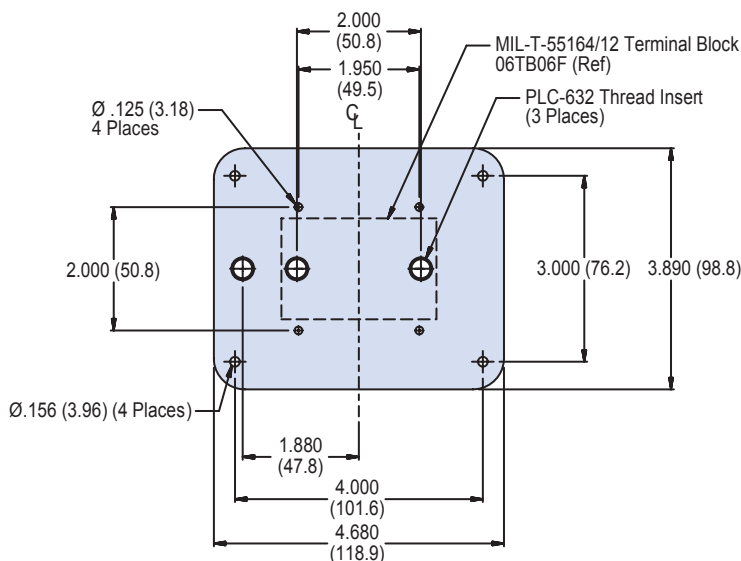


FIGURE 2



147-020XMS-02
(NSN: 5975-01-556-9504)
Dual Electrical Blade Type Receptacle Composite Box
15 Amp, 125 Volt 60 Hz, Grounded • Size 6.0 x 5.2 x 3.4



APPLICATION NOTES

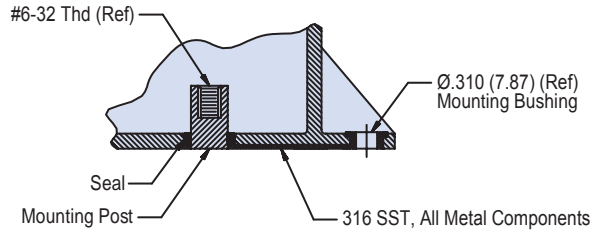
1. Assembly identified with manufacturer's code identification number (Glenair, part number and date code).
1. Color may be subject to fading, however UV exposure will not affect material physical properties.
2. Assembly is similar to symbol part numbers and require installation in accordance with NAVSEA drawing 803-6983506.
3. Material / Finish:
 Box, cover - Thermoplastic grey color/see Table I.
 Hardware - 316 SST/passivate.
 Seals and gaskets - Silicone/N.A.
 Mounting Plate - 300 series SST/passivate.
4. Not for use with thread collar receptacle, see 147-020XMS-05.
5. Metric dimensions (mm) are indicated in parentheses.

147-020XMS-02
(NSN: 5975-01-556-9504)

Dual Electrical Blade Type Receptacle Composite Box
15 Amp, 125 Volt 60 Hz, Grounded • Size 6.0 x 5.2 x 3.4



Junction
Boxes



SECTION D-D

**Electrical Ground Through Internal
 Mounting Post To External Mounting Bushing**

TABLE I: Finish

Symbol	Description
XMS	Internal Surfaces - Electroless Nickel Exterior Surfaces - Unplated Light Grey Color
XO	No Plating

TABLE II: Replacement Parts

Item	Part Number	Description	Material
1	140-065XMS-03	Cover Assembly	Grey Thermoplastic
2	687-499-2	Cover Screw Assembly	316 SST/Passivate
3	687-305Z132	Mounting Plate Assembly	300 Series SST
4	630-038XO-04K	1/8 Turn Flop Lid	Grey Thermoplastic
5	HBL8284I	Electrical Connector	N/A

E

Basic Part Number	Finish (See Table I)	Basic Box Number
147-020	XMS	05

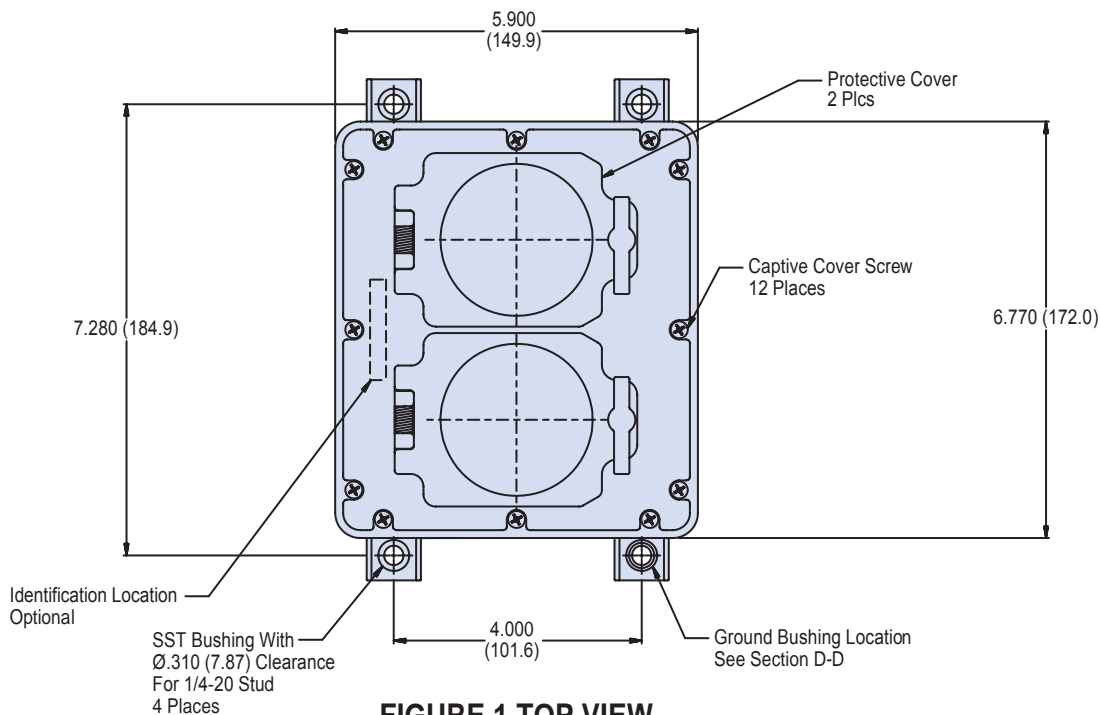
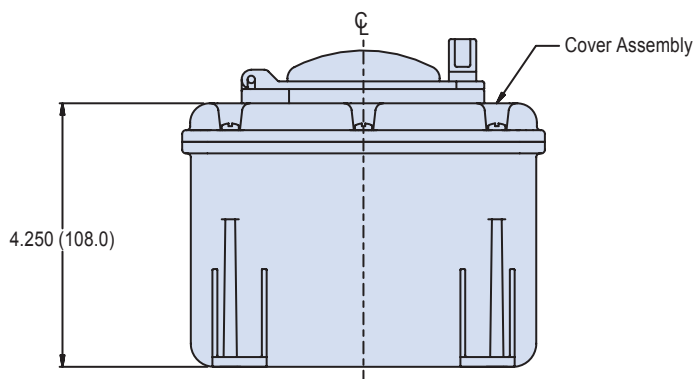


FIGURE 1 TOP VIEW



E

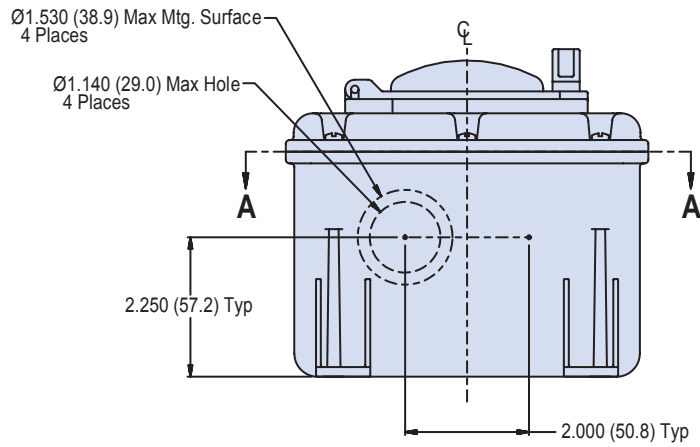
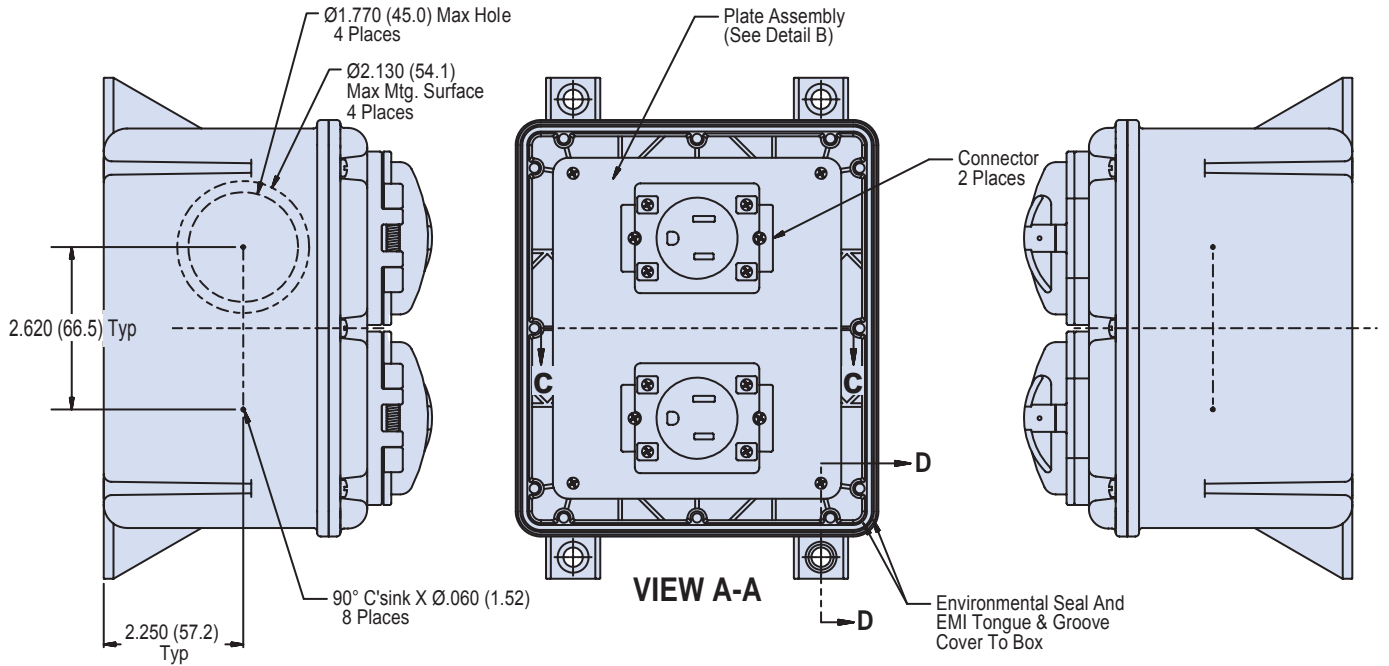
147-020XMS-05

(NSN: 5940-01-557-2634)

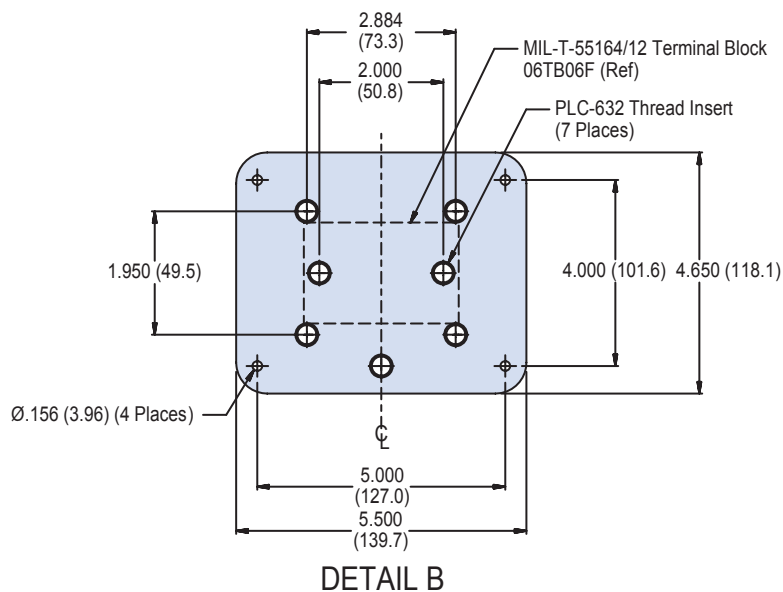
Dual Electrical Blade Type Receptacle Composite Box
15 Amp, 115 Volt 60 Hz, Grounded • Size 6.8 x 5.9 x 4.25



Junction
Boxes



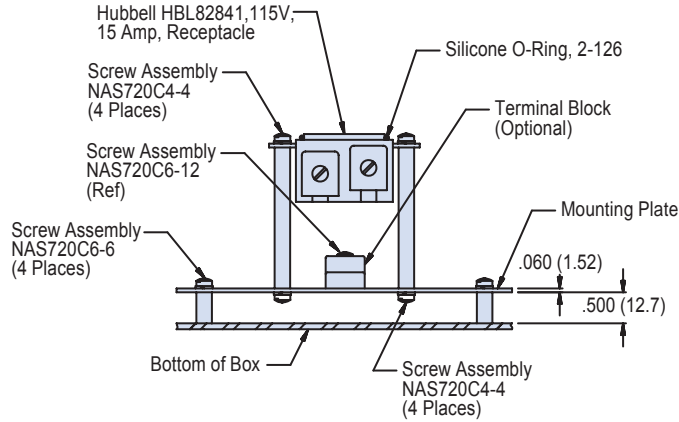
E



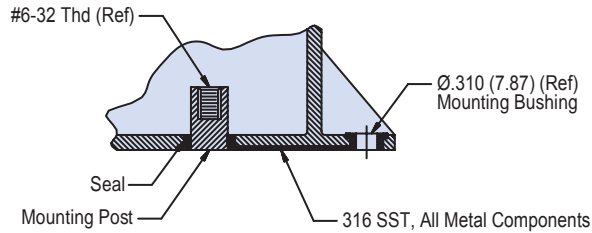
APPLICATION NOTES

1. Assembly identified with manufacturer's code identification number (Glenair, part number and date code).
2. Color may be subject to fading, however UV exposure will not affect material physical properties.
3. Assembly is similar to symbol part numbers and require installation in accordance with NAVSEA drawing 803-6983506.
4. Material / Finish:
 - Box, cover - Thermoplastic grey color/see Table I.
 - Hardware - 316 SST/passivate.
 - Seals and gaskets - Silicone/N.A.
 - Mounting Plate - 300 series SST/passivate.
5. Metric dimensions (mm) are indicated in parentheses.

147-020XMS-05
(NSN: 5940-01-557-2634)
Dual Electrical Blade Type Receptacle Composite Box
15 Amp, 115 Volt 60 Hz, Grounded • Size 6.8 x 5.9 x 4.25



VIEW C-C



SECTION D-D

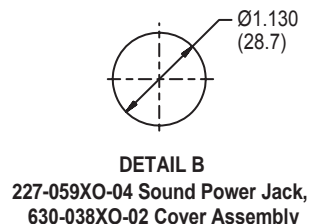
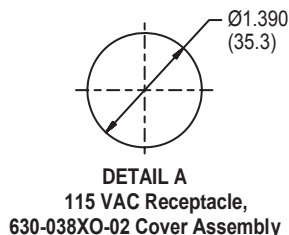
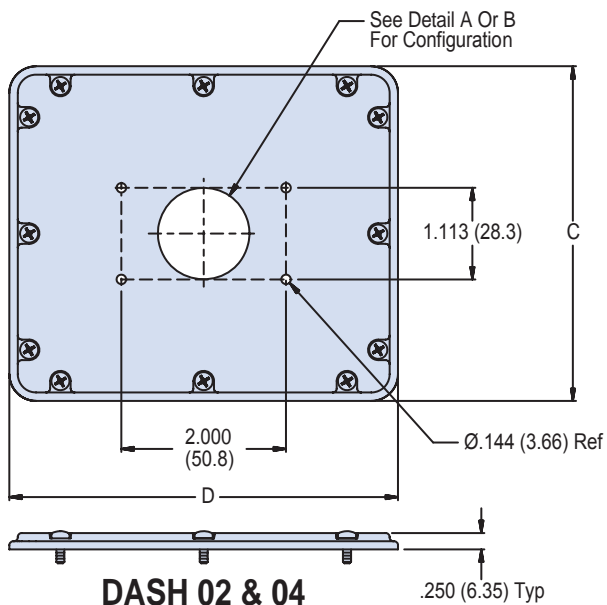
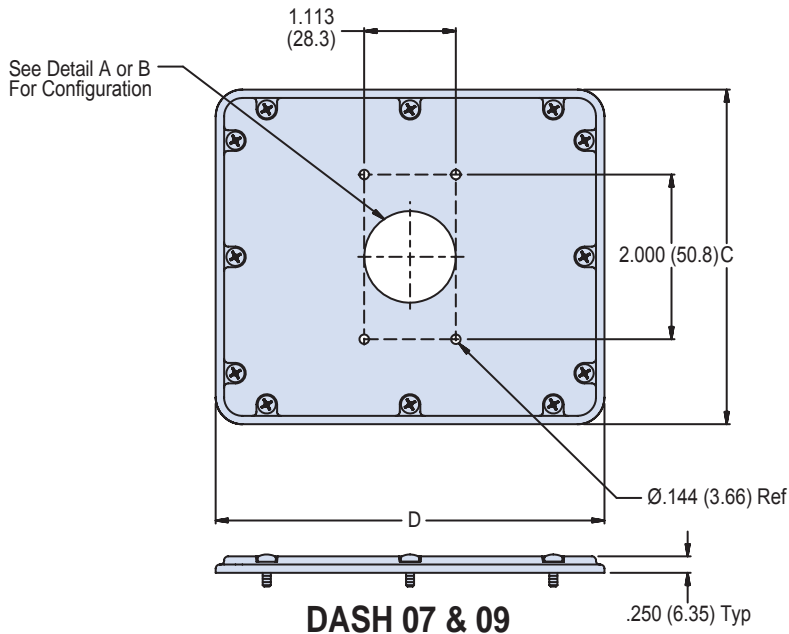
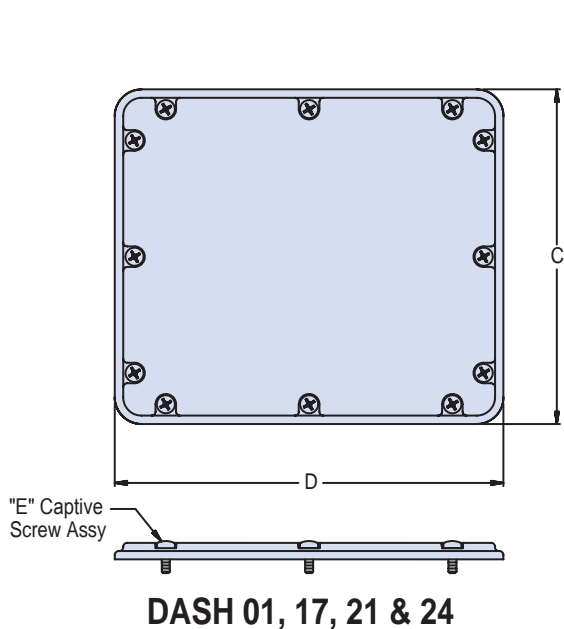
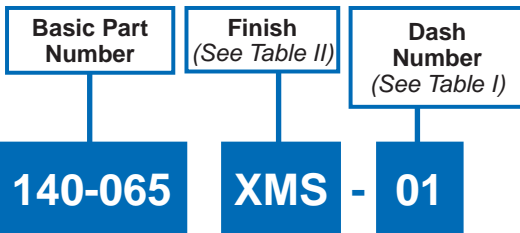
**Electrical Ground Through Internal
 Mounting Post To External Mounting Bushing**

TABLE I: Finish

Symbol	Description
XMS	Internal Surfaces - Electroless Nickel Exterior Surfaces - Unplated Light Grey Color
XO	No Plating

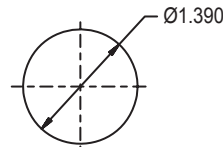
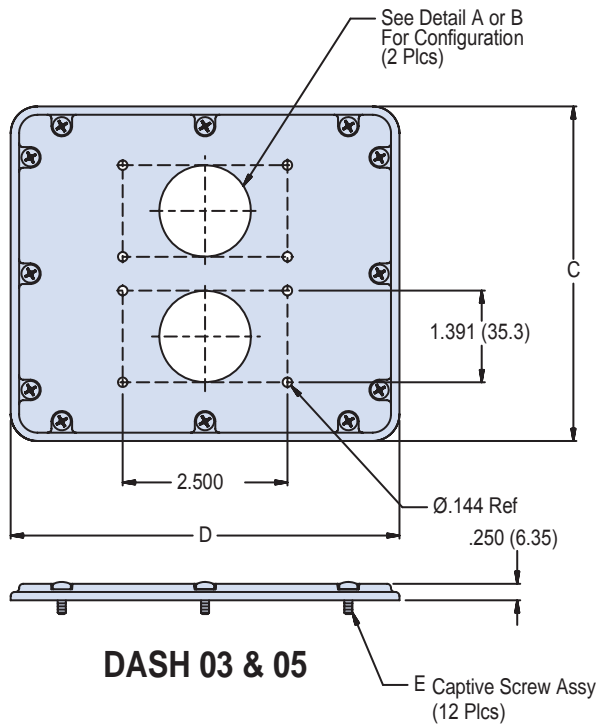
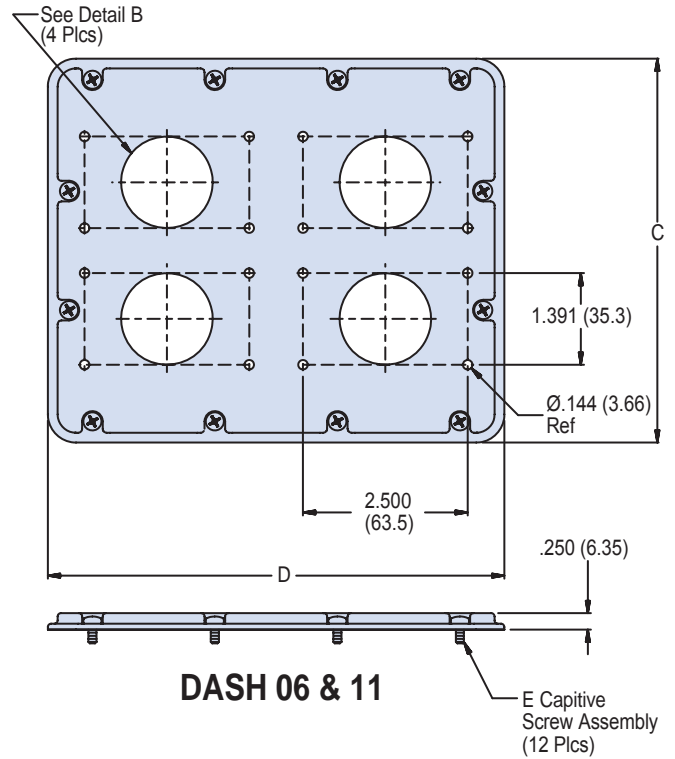
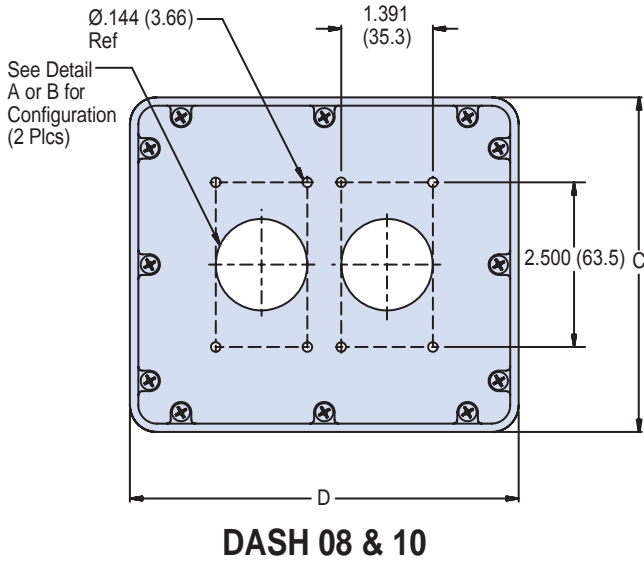
TABLE II: Replacement Parts

Item	Part Number	Description	Material
1	140-065XMS-16	Cover Assembly	Grey Thermoplastic
2	687-499-2	Cover Screw Assembly	316 SST/Passivate
3	687-305Z132	Mounting Plate Assembly	300 Series SST
4	630-038XO-04K	1/8 Turn Flop Lid	Grey Thermoplastic
5	HBL82841	Electrical Connector	N/A

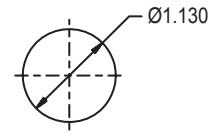


E

147-065XMS-**
 (See Table I for NSN Designator)
 Replacement Lid Assembly
 for Glenair Composite Box Enclosures

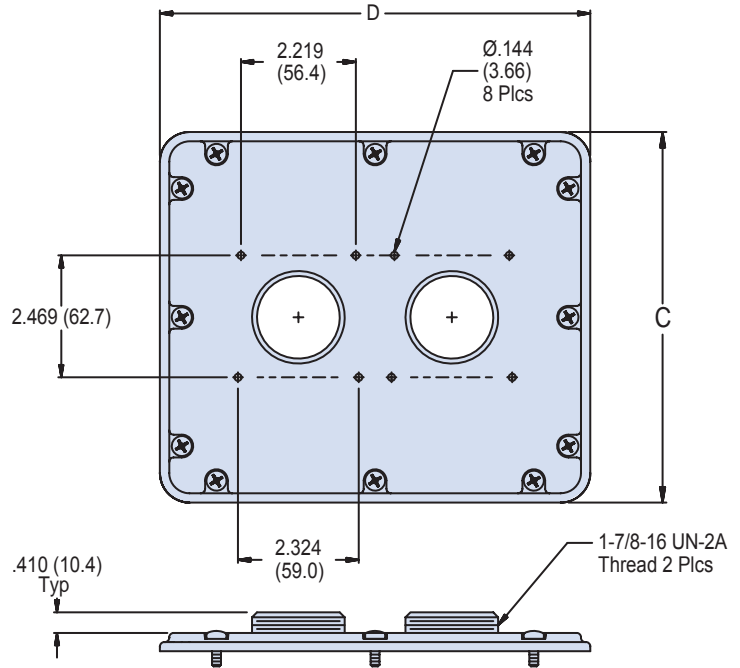
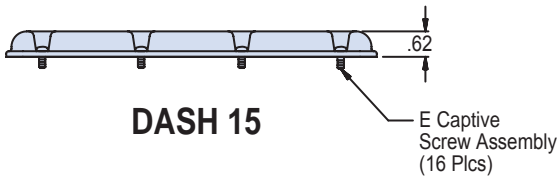
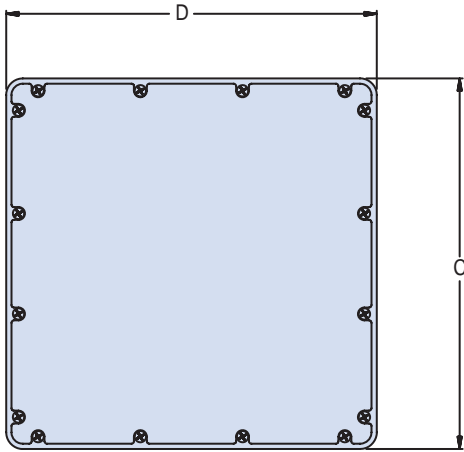


DETAIL A
 115 VAC Receptacle,
 630-038XO-02 Cover Assembly

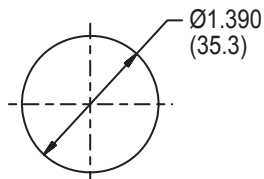


DETAIL B
 227-059XO-04 Sound Power Jack,
 630-038XO-02 Cover Assembly

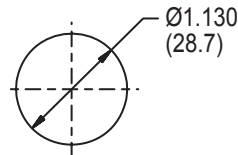




DASH 16



DETAIL A
 115 VAC Receptacle,
 630-038XO-02 Cover Assembly

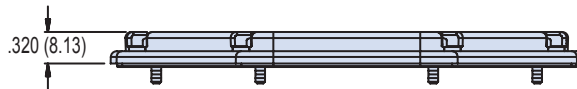
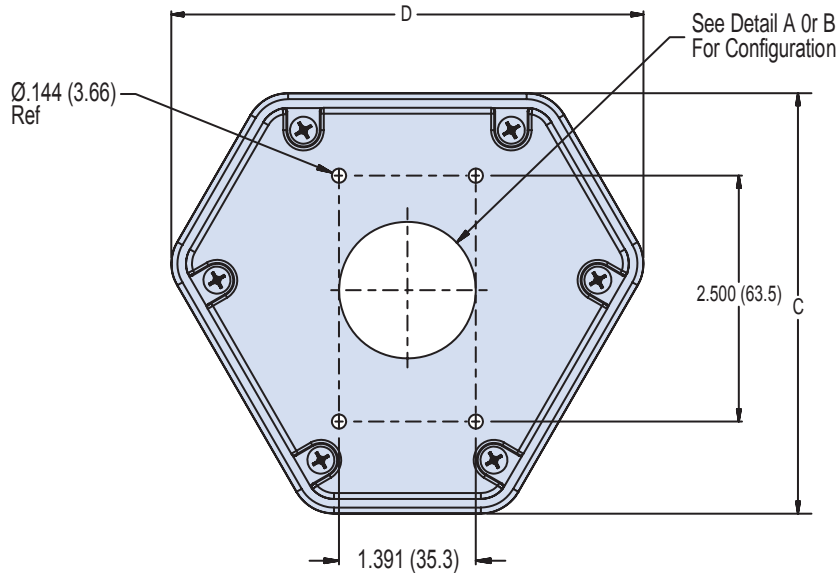


DETAIL B
 227-059XO-04 Sound Power Jack,
 630-038XO-02 Cover Assembly

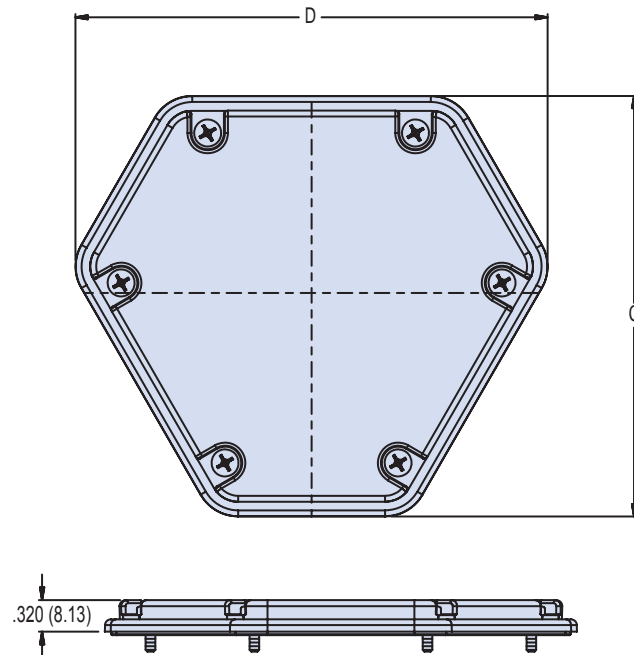
147-065XMS-**
(See Table I for NSN Designator)
Replacement Lid Assembly
for Glenair Composite Box Enclosures



Junction
Boxes

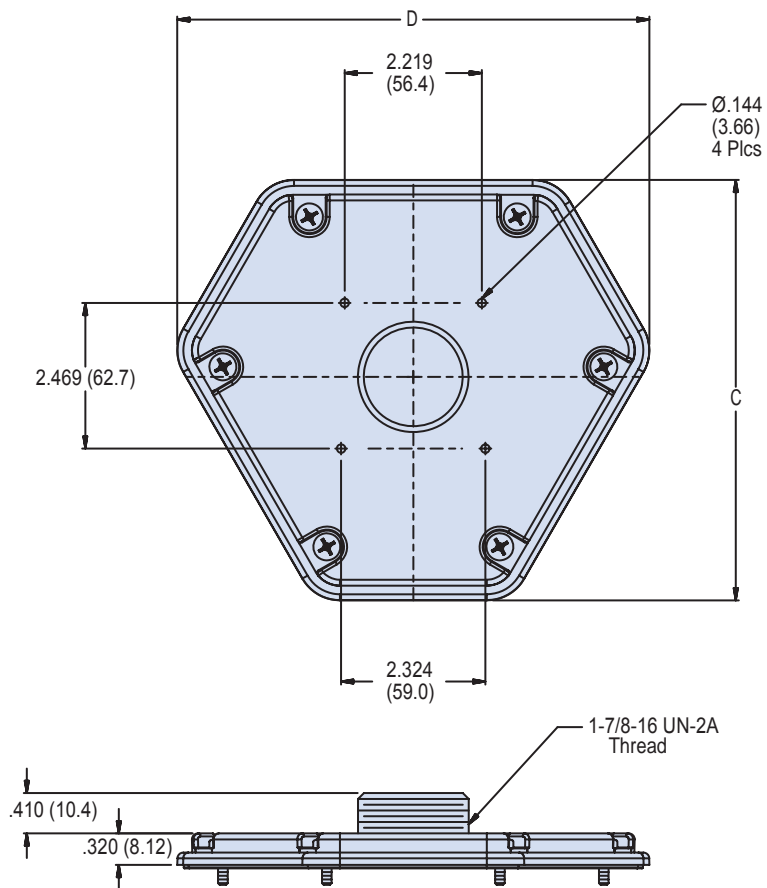


DASH 12 AND 13



DASH 14

E

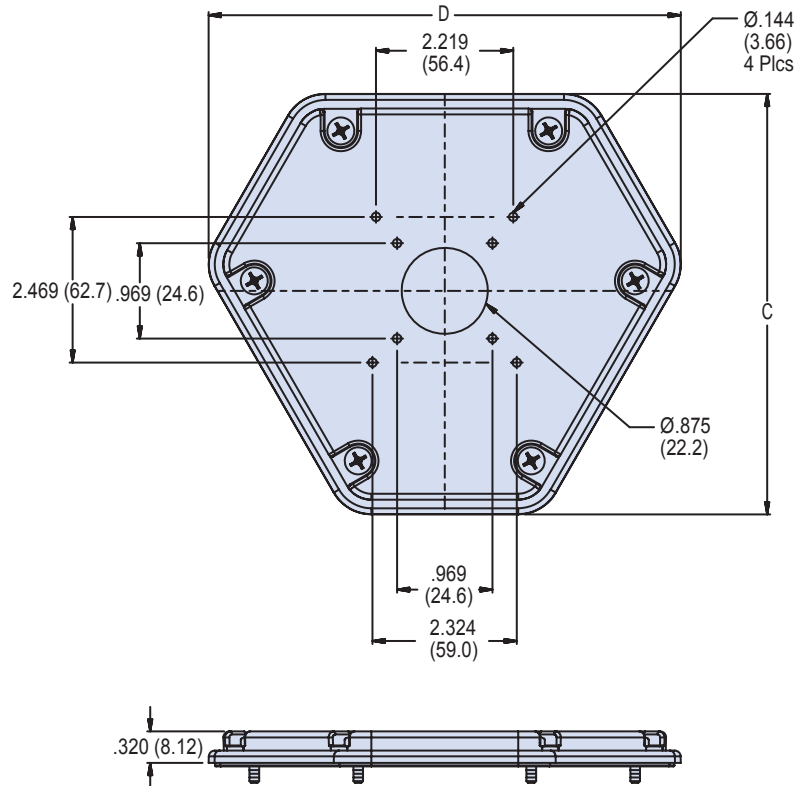


DASH 18

TABLE II: Finish

Symbol	Description
XMS	Internal Surfaces - Electroless Nickel Exterior Surfaces - Unplated Light Grey Color
XO	No Plating

147-065XMS-**
(See Table I for NSN Designator)
Replacement Lid Assembly
for Glenair Composite Box Enclosures



DASH 19

APPLICATION NOTES

1. Assembly to be bagged and tagged.
2. Color may be subject to fading, however UV exposure will not affect material physical properties.
3. Assembly is similar to symbol part numbers and require installation in accordance with NAVSEA drawing 803-6983506.
4. Material / Finish:
 Cover - Thermoplastic grey color/see Table II.
 Hardware - 316 SST/passivate.
 Elastomers - Silicone/N.A.
 Retainer - Buna/N.A.
5. NAVSEA approved; Dwg 803-698-3506.
6. Metric dimensions (mm) are indicated in parentheses.

630-038XO-01K

(See Table I for NSN Designator)
Composite Box Cover Assembly
for 147-020 and 147-021 Composite Boxes

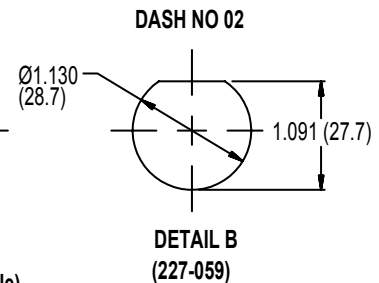
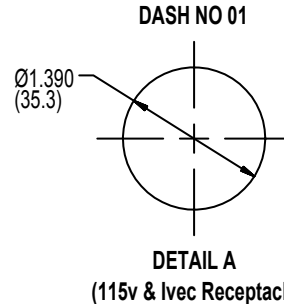
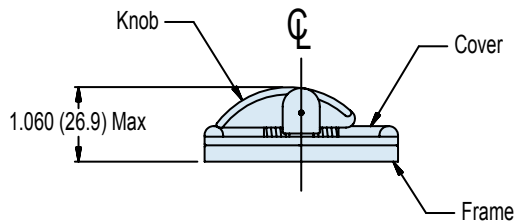
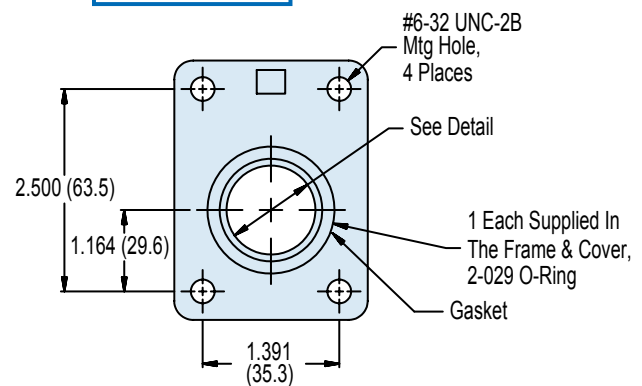
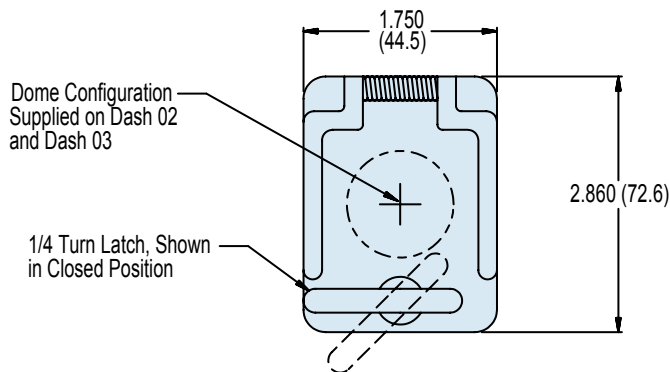
Basic Part
Number

630-038

Dash
Number
(See Table I)

XO - 01

K

Finish
(None)Four Mounting
Screws
(NAS720C6-4)

APPLICATION NOTES

1. Assembly identified with manufacturer's name and part number, space permitting.
2. Color may be subject to fading, however UV exposure will not affect material physical properties.
3. Material / Finish:
Cover - Thermoplastic grey color/see Table II.
Spring and shaft - 316 SST/passivate.
Gaskets - Silicone rubber ZZ-R-765/N.A.
4. Metric dimensions (mm) are indicated in parentheses.

630-038XO-01K
 (See Table I for NSN Designator)
 Composite Box Cover Assembly
 for 147-020 and 147-021 Composite Boxes

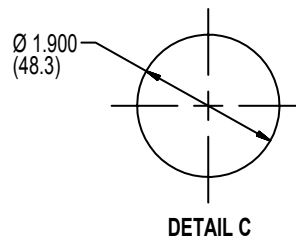
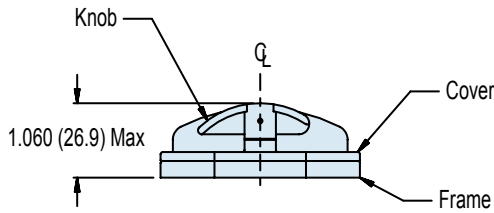
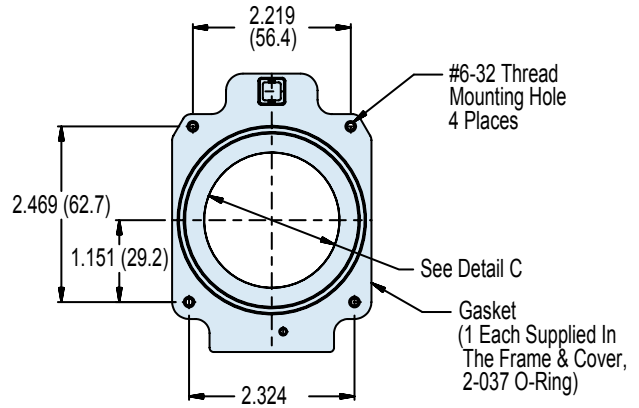
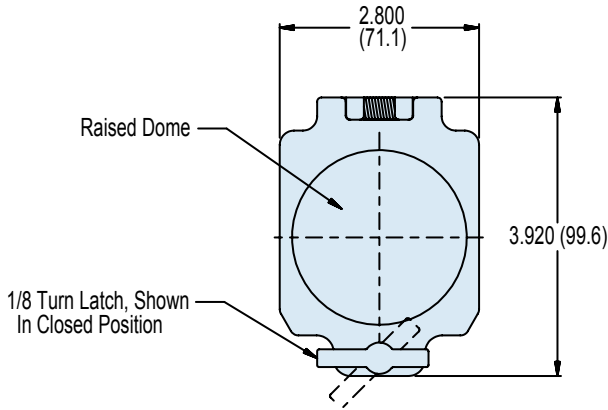


TABLE I: Dash No. and NSN Designators

Dash No.	Cut-Out Detail	Used On	Sheet Reference	NSN Designator
01	A	147-020 Series	Sheet 1	5975-01-556-9621
02	B	147-021 Series	Sheet 1	5975-01-556-9582
03	A	140-043-0006	Sheet 1	
04	C	147-023-02	Sheet 2	5975-01-556-9627

Basic Part
Number

227-059

Connector
Style

04 - Jam Nut
Mounting

XO - **04**

W

Finish
(See Table I)

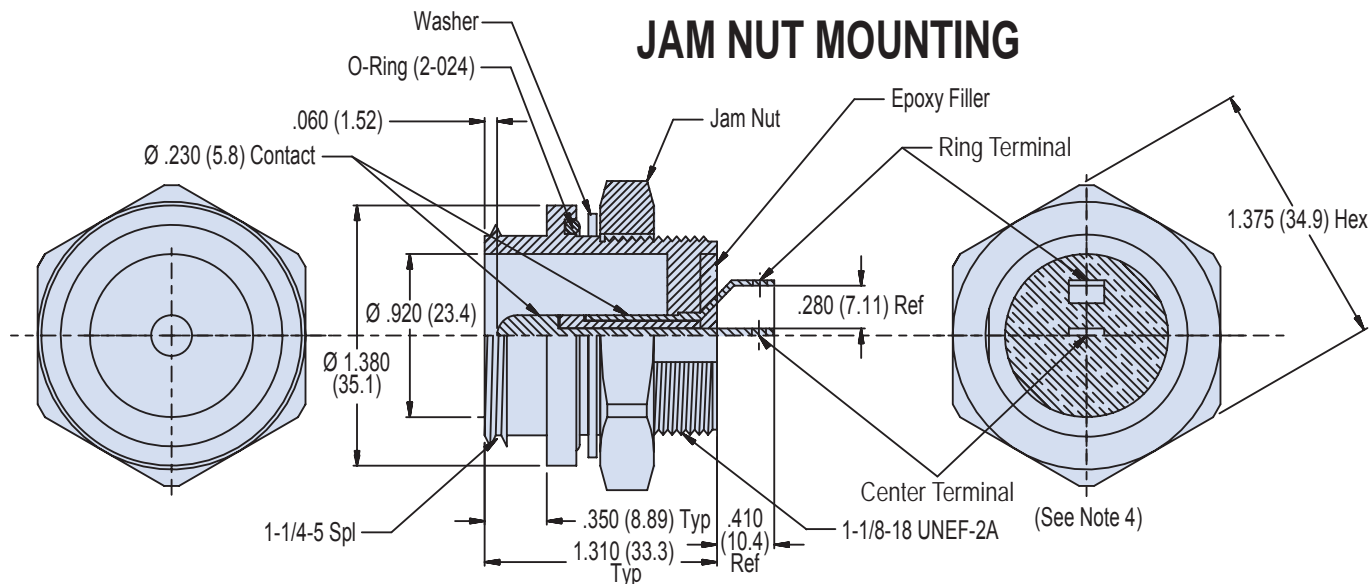
Pre-Wired
Assembly

Omit for None
(See Note 5)

TABLE I: Finish

Symbol	Description
XM	Conductive Electroless Nickel
XO	No Plating, Non Conductive

JAM NUT MOUNTING



APPLICATION NOTES

- Assembly identified with manufacturer's name and part number, space permitting.
- Color may be subject to fading, however UV exposure will not affect material physical properties.
- Material / Finish:
 Shell, insulator and jam nut - High temperature IAW AIR4567/See Table I.
 Contacts - Copper alloy/gold plate.
 O-Ring - Silicone rubber/N.A.
 Washer - 300 series SST/passivate.
 Filler - Epoxy (Stycast)/N.A.
- Solder terminal holes for 22 and 20 gage wire.
- Supplied pre-wired with MIL-W-16878/4 Type E stranded wire, 22 gage, center contact white, ring black, 12 inches (304.8) long with MS25036-101 terminal.
- Glenair's 227-059 composite receptacle connector is designed to mate with H39A type jack plug and mount to Glenair part number 140-041 composite box lid.
- Metric dimensions (mm) are indicated in parentheses.

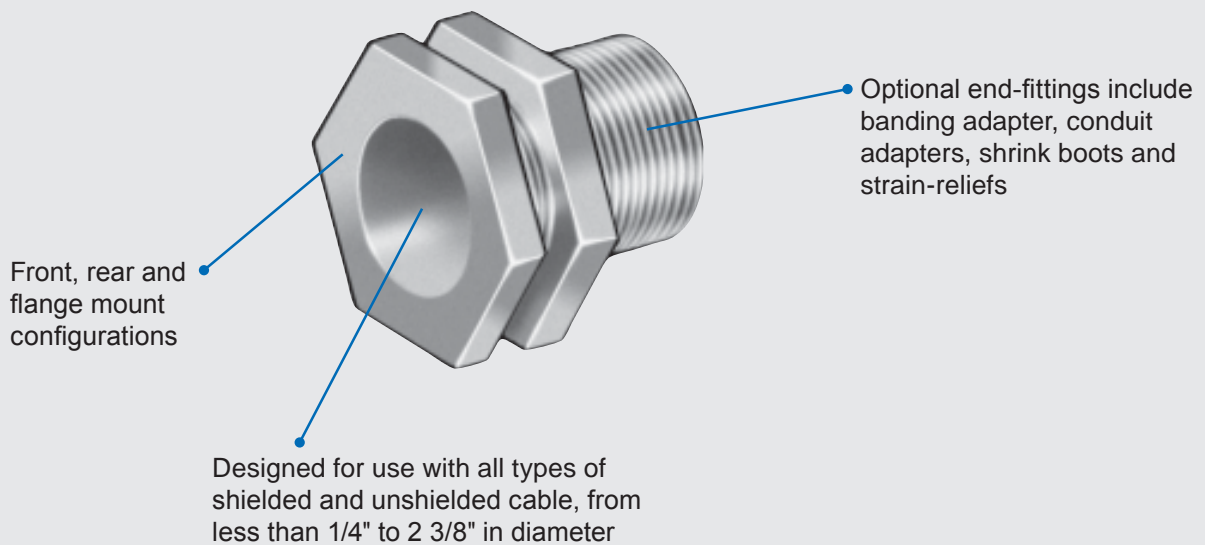
The Right Feed-Through Fitting for Every Shipboard Application—in Aluminum, Titanium, Composite Thermoplastic or Stainless Steel

Glenair manufactures a full spectrum line of feed-through fittings for routing wire and cable into and out of switchgear and other types of junction boxes. The fittings are also ideal for thru-panel and bulkhead applications.

From environmental sealers and EMI/RFI shield terminators to strain reliefs and shrink boot

adapters—Glenair has the right feed-through for every application requirement. Our composite thermoplastic designs offer significant weight savings and unlimited corrosion protection.

Best of all, many of our most popular part numbers are in stock, in quantity and ready for immediate delivery.



***Composite Thermoplastic Parts:** Unless otherwise specified, feed-through fittings will be finished per Table II. Consult factory for additional options for plating of composite components. Composite feed-throughs should be considered for applications where weight savings and extended corrosion protection is desired. Compared to aluminum alloy, composite materials provide equal or improved RFI/EMI protection; however, composite materials have lower thermal conductivity and reduced high-current grounding characteristics. Composite feed-throughs meet AS85049 requirements and are designed to for harsh environmental conditions and rugged physical strength demands. Please consult the factory for assistance in selecting the best materials and platings for your application.



Feed-Through Fittings Standard Materials and Notes

The following standard materials are used for the majority of Glenair feed-through fittings and connector accessories. Feed-through components are not limited to those items listed, but are representative of the

elements used in the majority of standard components. Contact Glenair for applicable specifications on items not listed below, or for more information on composite thermoplastic material options.

STANDARD MATERIALS - FEED-THROUGH FITTINGS

COMPONENT	MATERIAL	SPECIFICATION
Machined components: such as feed-through bodies, strain reliefs, banding platforms, rotatable couplers, mounting plates, lock nuts, G-spring support rings, EMI ground rings, grommet followers, etc.	Aluminum	QQ-A-200, 225 ASTMB211, 221
Feed-throughs and strain reliefs: available in optional injection molded and/or machined composite thermoplastic.	Engineering thermo-plastic such as PEI	AIR 4567 MIL-C-85049
Feed-throughs and strain reliefs: available in optional corrosion resisting steel; and hardware such as screws, washers, rivets, band straps, etc.	Corrosion Resisting Steel	QQ-S-763 (300 Series)
Anti-friction and thrust washers	Teflon	ZZ-R-765
Elastomeric seals: such as O-rings, cable jacket seals, grommets, etc.	Silicone	TFE
Anti-rotation device	Corrosion Resistant Material	

NOTES

On all length callouts, tolerance is $\pm .060$ unless otherwise specified.

Unless otherwise specified, the following other dimensional tolerances will apply:

- .xx = $\pm .03$ (0.8)
- .xxx = $\pm .015$ (0.4)
- Lengths = $\pm .060$ (1.52)
- Angles = $\pm 5^\circ$

Metric dimensions (mm) are indicated in parentheses

GENERAL COMPOSITE CHARACTERISTICS

- 24 KPSI - 38 KPSI Tensile Strength
 - 33 KPSI - 54 KPSI Flexural Strength
 - 1,300 KPSI - 2,100 KPSI Flexural Modulus
 - 175 - 200° Celsius Operating Temperature
 - CTE, Composite: @ 10⁵ inch/inch °F is 1.10 - 1.40
 - Meets ASTM-E-595, NASA SP-R-0022A Outgassing Requirements for Space
- Contact factory for specific data.

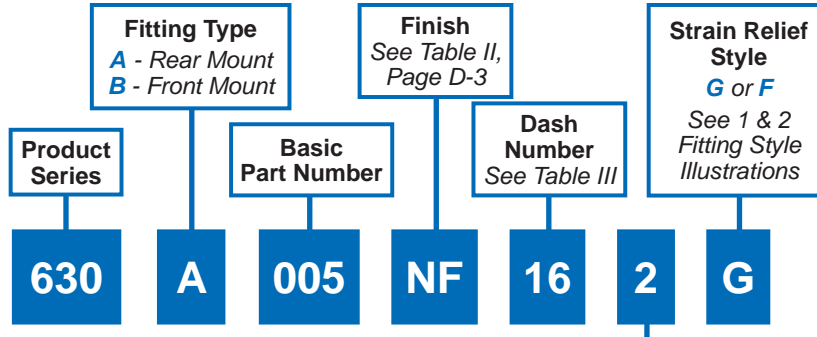
Feed-Through Fittings Standard Materials and Finishes Table



TABLE II - STANDARD MATERIALS AND FINISHES

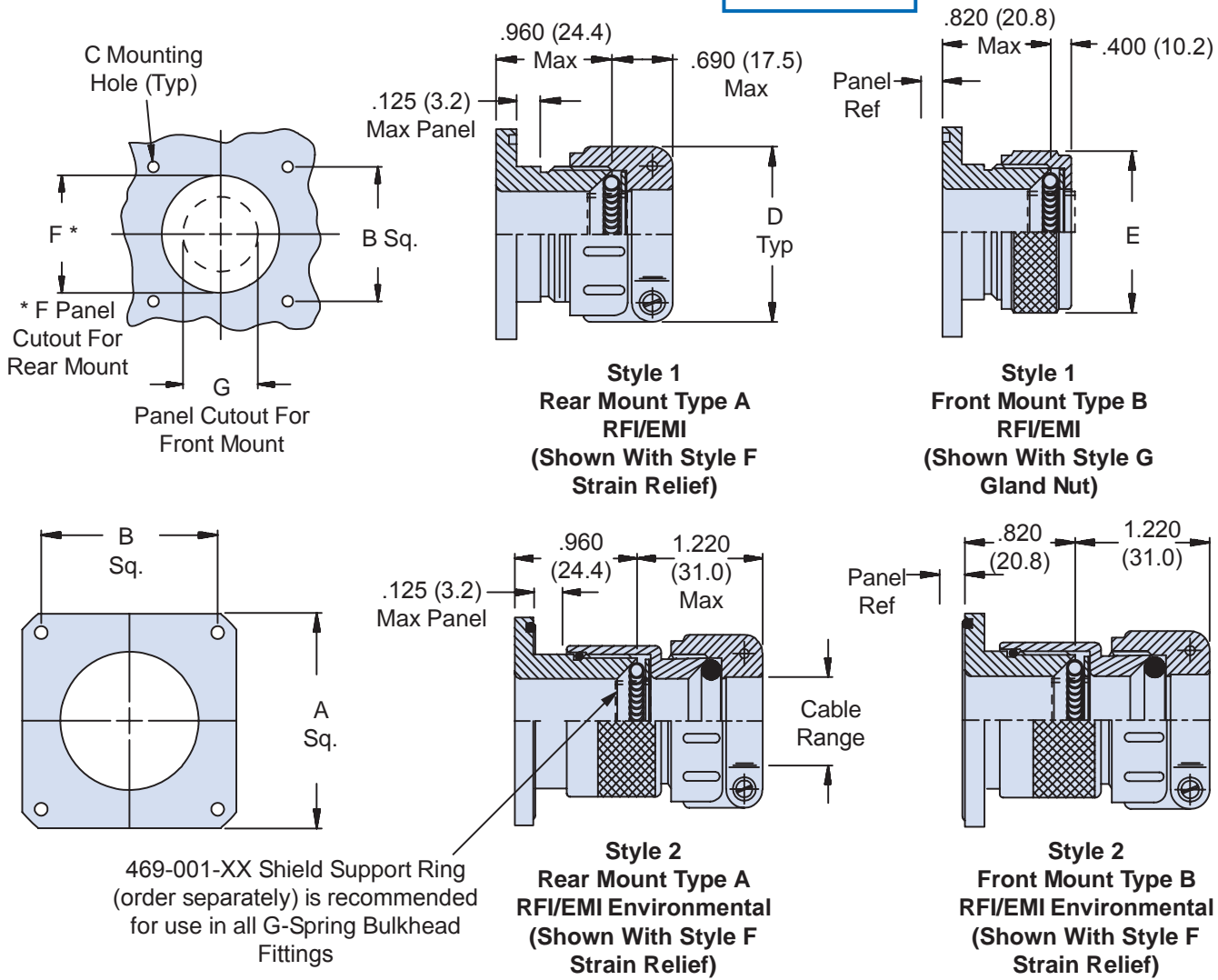
FINISH	ALUMINUM ALLOY (I.A.W. QQ-A-225)*
NF	Cadmium Plate, Olive Drab per QQ-P-416, Type II, Class 3 over Electroless Nickel Plate per MIL-C-26074 Class 3 or 4, .0005 Minimum Thickness. 1,000 hrs. Corrosion Resistance.
ZN	Zinc Alloy Plate per ASTM B 841-91, Class 1, Type E, Grade 3, over Electroless Nickel Plate per ASTM B 733-90 SC2, Type 1, Class 5, Olive Drab.
GB	Hard Coat, Anodic, Color Black, MIL-A-8625, Type III, Class 1 (Not suitable for EMI shielding or grounding).
MT	Nickel Plate with PTFE, Gray, 1,000 Hour Salt Spray
TZ	Tin-Zinc, Green/Gold, 1,000 Hour Salt Spray, Cadmium Compatible.
FINISH	STAINLESS STEEL (300 Series Cres I.A.W. QQ-S-763)
Z1	Passivate per QQ-P-35. Applicable to corrosion-resisting steel backshells and accessories.
ZM	Electroless Nickel Plate per MIL-C-26074, Class 30R4, Grade A.
MS	Electroless Nickel, Matte Finish
FINISH	TITANIUM
TP	Electroless Nickel
FINISH	HIGH-GRADE ENGINEERING THERMOPLASTIC COMPOSITE
XB	Nickel Plate, Thermoplastic Composite Material (Non-Conductive).
XO	No Plating, Black Thermoplastic Composite Material (Non-Conductive).
XM	Electroless Nickel Plate, 1,000 hrs. Corrosion Resistance.
XW	Cadmium Plate, Olive Drab over Electroless Nickel. 1,000 hrs. Corrosion Resistance.

* Aluminum components are not recommended for above-deck (weather-deck) shipboard use. Glenair's CostSaver Composite EMI/RFI Junction Boxes should not be paired with aluminum feed-through fittings when used in exposed, harsh-weather environments. Despite protective platings, aluminum interconnect components corrode too quickly when exposed to salt spray or other corrosive liquids to be useful in these settings.



"G"-Spring Style Shield Termination for Strain Relief Styles G and F

Fitting Style
 1 - RF/EMI Only
 2 - RF/EMI Environmental



F

630-005
Square Flange Feed-Through Fittings
 "G"=Spring RFI/EMI Environmental



TABLE III: Dash Number, Cable Range and Dimensions (Continued Below)

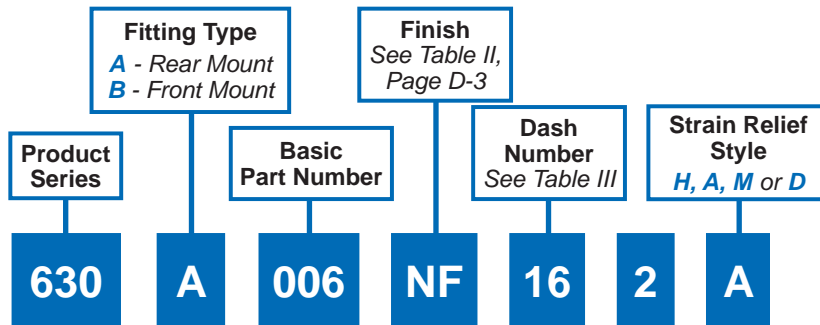
Dash No.	Cable Range		A Max	B Dim	C	
	Min	Max			+0.015 (-0)	+0.4 (-0.0)
01	.156 (4.0)	.250 (6.4)	.885 (22.5)	.593 (15.1)	.120 (3.0)	(3.0)
02	.188 (4.8)	.375 (9.5)	1.104 (28.0)	.812 (20.6)	.120 (3.0)	(3.0)
03	.250 (6.4)	.438 (11.1)	1.197 (30.4)	.906 (23.0)	.120 (3.0)	(3.0)
04	.280 (7.1)	.500 (12.7)	1.291 (32.8)	.968 (24.6)	.120 (3.0)	(3.0)
05	.375 (9.5)	.625 (15.9)	1.385 (35.2)	1.062 (27.0)	.120 (3.0)	(3.0)
06	.500 (12.7)	.750 (19.1)	1.635 (41.5)	1.250 (31.8)	.120 (3.0)	(3.0)
07	.625 (15.9)	.875 (22.2)	1.760 (44.7)	1.375 (34.9)	.147 (3.7)	(3.7)
08	.750 (19.1)	1.000 (25.4)	2.010 (51.1)	1.562 (39.7)	.147 (3.7)	(3.7)
09	.875 (22.2)	1.125 (28.6)	2.260 (57.4)	1.750 (44.5)	.173 (4.4)	(4.4)
10	1.000 (25.4)	1.250 (31.8)	2.510 (63.8)	1.938 (49.2)	.173 (4.4)	(4.4)
11	1.125 (28.6)	1.375 (34.9)	2.760 (70.1)	2.125 (54.0)	.173 (4.4)	(4.4)

TABLE III: (Continued from Above)

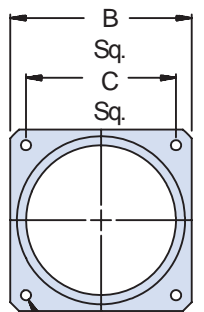
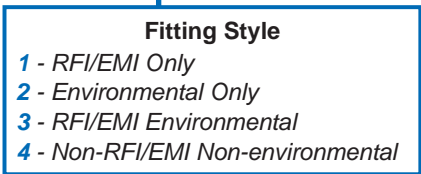
Dash No.	D Max	E Max	F		G	
			+0.015 (-0)	+0.4 (-0.0)	+0.031 (-0)	+0.8 (-0.0)
01	.843 (21.4)	.625 (15.9)	.515 (13.1)	(13.1)	.250 (6.4)	(6.4)
02	.968 (24.6)	.750 (19.1)	.640 (16.3)	(16.3)	.375 (9.5)	(9.5)
03	1.046 (26.6)	.875 (22.2)	.765 (19.4)	(19.4)	.438 (11.1)	(11.1)
04	1.156 (29.4)	1.000 (25.4)	.890 (22.6)	(22.6)	.500 (12.7)	(12.7)
05	1.218 (30.9)	1.125 (28.6)	1.015 (25.8)	(25.8)	.625 (15.9)	(15.9)
06	1.343 (34.1)	1.250 (31.8)	1.140 (29.0)	(29.0)	.750 (19.1)	(19.1)
07	1.468 (37.3)	1.375 (34.9)	1.265 (32.1)	(32.1)	.875 (22.2)	(22.2)
08	1.593 (40.5)	1.500 (38.1)	1.390 (35.3)	(35.3)	1.000 (25.4)	(25.4)
09	1.718 (43.6)	1.625 (41.3)	1.515 (38.5)	(38.5)	1.125 (28.6)	(28.6)
10	1.843 (46.8)	1.750 (44.5)	1.640 (41.7)	(41.7)	1.250 (31.8)	(31.8)
11	2.187 (55.5)	1.875 (47.6)	1.765 (44.8)	(44.8)	1.375 (34.9)	(34.9)

APPLICATION NOTES

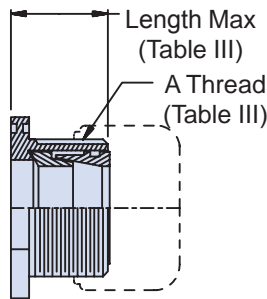
1. Assembly identified with manufacturer's name and part number, space permitting.
2. Cable range is defined as the accommodations range for the wire bundle or cable. Dimensions shown are not intended for inspection criteria.
3. Material / Finish: See Table II.
4. For proper termination, it is recommended that Glenair 469-001 shield support ring be used on all assemblies. Place ring over wire and under shield; position under G-spring. Please consult factory for more information.
5. "G"-spring fittings are not available in composite thermoplastic.
6. Metric dimensions (mm) are indicated in parentheses.



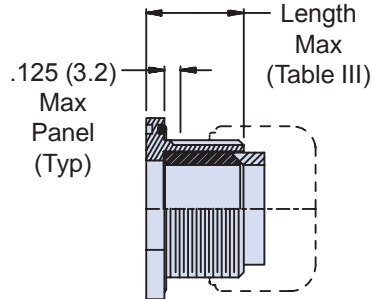
For Strain Relief Styles
H, A, M and D



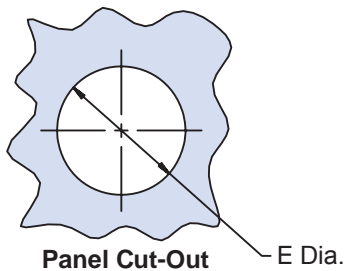
D Mounting Holes
(4 Places)



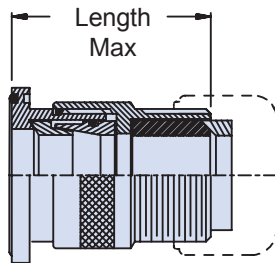
Style 1
Type B - Front Mount
RFI/EMI



Style 2
Type A - Rear Mount
Environmental

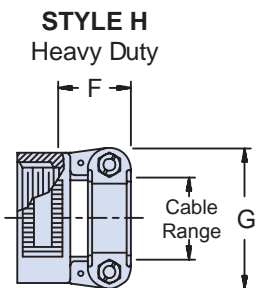


Panel Cut-Out
E Dia.

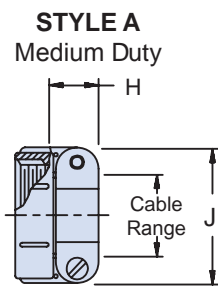


Style 3 -
Type B - Front Mount
RFI/EMI Environmental

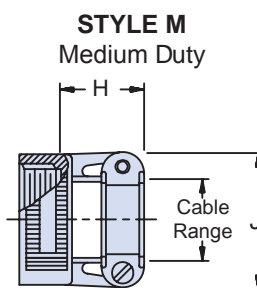
- APPLICATION NOTES**
1. Assembly identified with manufacturer's name and part number, space permitting.
 2. Cable range is defined as the accommodations range for the wire bundle or cable. Dimensions shown are not intended for inspection criteria.
 3. Material / Finish: See Table II.
 4. Metric dimensions (mm) are indicated in parentheses.



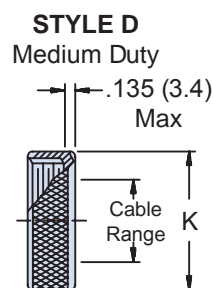
STYLE H
Heavy Duty



STYLE A
Medium Duty



STYLE M
Medium Duty



STYLE D
Medium Duty

630-006
Square Flange Feed-Through Fittings
RFI/EMI Environmental



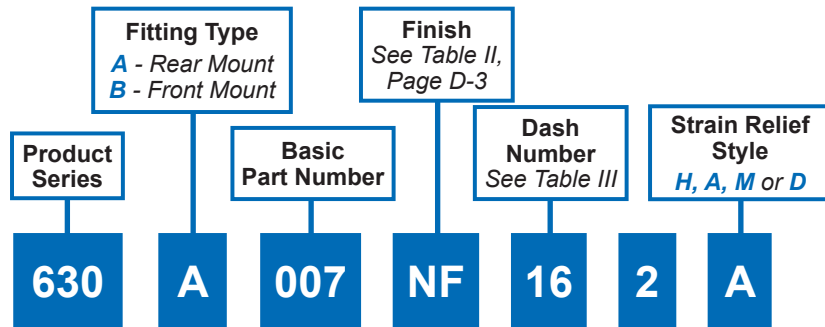
TABLE III: Dash Number, Cable Range and Dimensions (Continued Below)

Dash No.	Clamp Style	Clamp Size	Cable Range		A Thread		B		C Sq.		D Dia -.000		E Dia -.000	
			Min	Max	Unified	Max	± .010	(± .3)	+ .015	(+ .4)	+ .030	(+ .8)		
01	1, 2, 4	03	.157 (4.0)	.250 (6.4)	1/2 -28	.885 (22.5)	.593 (15.1)	.120 (3.0)	.250 (6.4)					
02	3	03	.157 (4.0)	.250 (6.4)	1/2 -28	.885 (22.5)	.593 (15.1)	.120 (3.0)	.250 (6.4)					
03	1,2, 4	04	.187 (4.7)	.312 (7.9)	5/8 -24	1.104 (28.0)	.812 (20.6)	.120 (3.0)	.312 (7.9)					
04	3	04	.187 (4.7)	.312 (7.9)	5/8 -24	1.104 (28.0)	.812 (20.6)	.120 (3.0)	.312 (7.9)					
05	1, 2, 4	06	.281 (7.1)	.437 (11.1)	3/4 -20	1.197 (30.4)	.906 (23.0)	.120 (3.0)	.437 (11.1)					
06	3	06	.281 (7.1)	.437 (11.1)	3/4 -20	1.197 (30.4)	.906 (23.0)	.120 (3.0)	.437 (11.1)					
07	1,2, 4	08	.344 (8.7)	.562 (14.3)	7/8 -20	1.291 (32.8)	.968 (24.6)	.120 (3.0)	.562 (14.3)					
08	3	08	.387 (9.8)	.562 (14.3)	7/8 -20	1.291 (32.8)	.968 (24.6)	.120 (3.0)	.562 (14.3)					
09	1, 2, 4	10	.375 (9.5)	.625 (15.9)	1 -20	1.385 (35.2)	1.062 (27.0)	.120 (3.0)	.625 (15.9)					
10	3	10	.512 (13.0)	.625 (15.9)	1 -20	1.385 (35.2)	1.062 (27.0)	.120 (3.0)	.625 (15.9)					
11	1,2, 4	12	.438 (11.1)	.750 (19.1)	1 3/16 -18	1.635 (41.5)	1.250 (31.8)	.120 (3.0)	.750 (19.1)					
12	3	12	.575 (14.6)	.750 (19.1)	1 3/16 -18	1.635 (41.5)	1.250 (31.8)	.120 (3.0)	.750 (19.1)					
13	1, 2, 4	16	.625 (15.9)	.937 (23.8)	1 7/16 -18	1.760 (44.7)	1.375 (34.9)	.147 (3.7)	.937 (23.8)					
14	3	16	.625 (15.9)	.937 (23.8)	1 7/16 -18	1.760 (44.7)	1.375 (34.9)	.147 (3.7)	.937 (23.8)					
15	1,2, 4	20	.875 (22.2)	1.250 (31.8)	1 3/4 -18	2.010 (51.1)	1.562 (39.7)	.147 (3.7)	1.250 (31.8)					
16	3	20	.875 (22.2)	1.250 (31.8)	1 3/4 -18	2.010 (51.1)	1.562 (39.7)	.147 (3.7)	1.250 (31.8)					
17	1, 2, 4	24	1.000 (25.4)	1.375 (34.9)	2 -18	2.260 (57.4)	1.750 (44.5)	.173 (4.4)	1.375 (34.9)					
18	3	24	1.000 (25.4)	1.375 (34.9)	2 -18	2.260 (57.4)	1.750 (44.5)	.173 (4.4)	1.375 (34.9)					
19	1,2, 4	28	1.250 (31.8)	1.625 (41.3)	2 1/4 -16	2.510 (63.8)	1.938 (49.2)	.173 (4.4)	1.625 (41.3)					
20	3	28	1.250 (31.8)	1.625 (41.3)	2 1/4 -16	2.510 (63.8)	1.938 (49.2)	.173 (4.4)	1.625 (41.3)					
21	1, 2, 4	32	1.437 (36.5)	1.875 (47.6)	2 1/2 -16	2.781 (70.6)	2.188 (55.6)	.173 (4.4)	1.875 (47.6)					
22	3	32	1.437 (36.5)	1.875 (47.6)	2 1/2 -16	2.781 (70.6)	2.188 (55.6)	.173 (4.4)	1.875 (47.6)					
23	1,2, 4	40	1.875 (47.6)	2.375 (60.3)	3 -16	3.281 (83.3)	2.625 (66.7)	.173 (4.4)	2.375 (60.3)					
24	3	40	1.875 (47.6)	2.375 (60.3)	3 -16	3.281 (83.3)	2.625 (66.7)	.173 (4.4)	2.375 (60.3)					

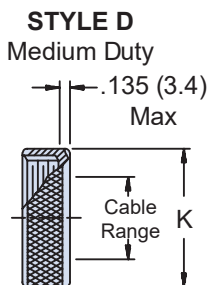
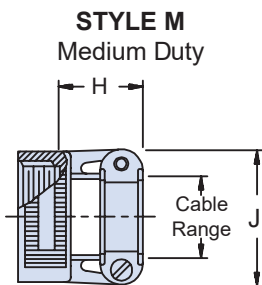
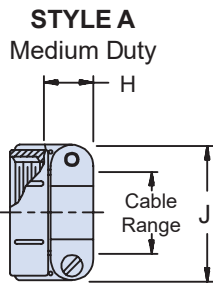
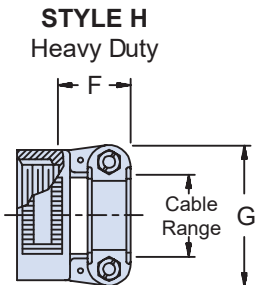
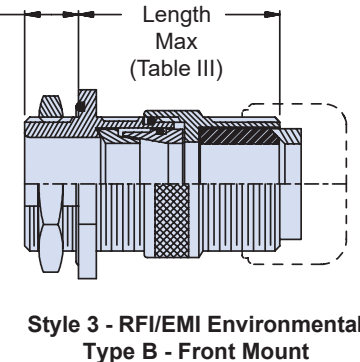
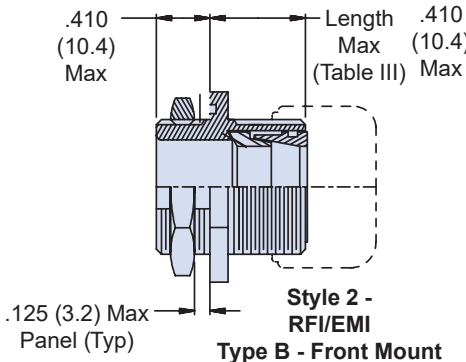
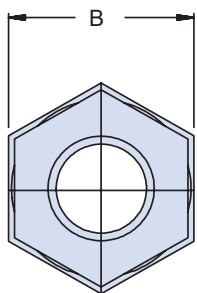
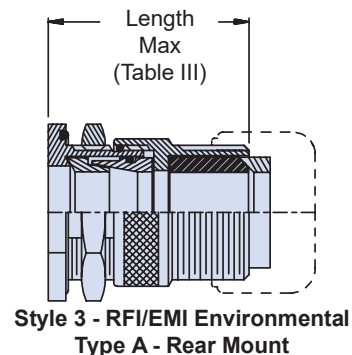
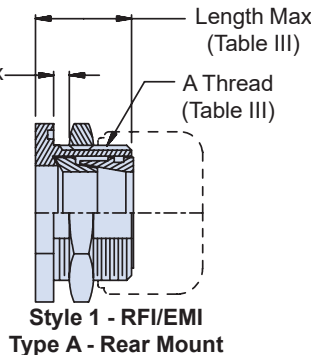
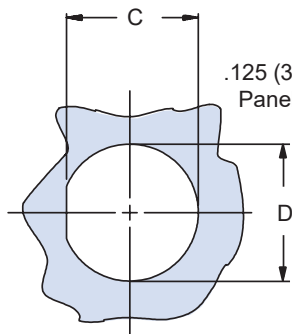
TABLE III: (Continued from Above)

Dash No.	Style	F Max	G Max	H Max	J Max	K Max	Length Max
01	1, 2, 4	---	---	.760 (19.3)	.843 (21.4)	.630 (16.0)	.971 (24.7)
02	3	---	---	.760 (19.3)	.843 (21.4)	.630 (16.0)	1.820 (46.2)
03	1,2, 4	.780 (19.8)	.957 (24.3)	.760 (19.3)	.906 (23.0)	.755 (19.2)	.971 (24.7)
04	3	.780 (19.8)	.957 (24.3)	.760 (19.3)	.906 (23.0)	.755 (19.2)	1.820 (46.2)
05	1,2, 4	.780 (19.8)	1.145 (29.1)	.760 (19.3)	1.093 (27.8)	.942 (23.9)	.971 (24.7)
06	3	.780 (19.8)	1.145 (29.1)	.760 (19.3)	1.093 (27.8)	.942 (23.9)	1.820 (46.2)
07	1,2, 4	.780 (19.8)	1.332 (33.8)	.760 (19.3)	1.187 (30.1)	1.067 (27.1)	.971 (24.7)
08	3	.780 (19.8)	1.332 (33.8)	.760 (19.3)	1.187 (30.1)	1.067 (27.1)	1.820 (46.2)
09	1, 2, 4	.780 (19.8)	1.332 (33.8)	.760 (19.3)	1.281 (32.5)	1.192 (30.3)	.971 (24.7)
10	3	.780 (19.8)	1.332 (33.8)	.760 (19.3)	1.281 (32.5)	1.192 (30.3)	1.820 (46.2)
11	1,2, 4	.811 (20.6)	1.551 (39.4)	.760 (19.3)	1.500 (38.1)	1.380 (35.1)	1.031 (26.2)
12	3	.811 (20.6)	1.551 (39.4)	.760 (19.3)	1.500 (38.1)	1.380 (35.1)	1.820 (46.2)
13	1,2, 4	.905 (23.0)	1.770 (45.0)	1.073 (27.3)	1.719 (43.7)	1.535 (39.0)	1.031 (26.2)
14	3	.905 (23.0)	1.770 (45.0)	1.073 (27.3)	1.719 (43.7)	1.535 (39.0)	1.820 (46.2)
15	1,2, 4	1.092 (27.7)	2.113 (53.7)	1.323 (33.6)	2.062 (52.4)	1.848 (46.9)	1.031 (26.2)
16	3	1.092 (27.7)	2.113 (53.7)	1.323 (33.6)	2.062 (52.4)	1.848 (46.9)	1.820 (46.2)
17	1, 2, 4	1.124 (28.5)	2.363 (60.0)	1.323 (33.6)	2.312 (58.7)	2.255 (57.3)	1.095 (27.8)
18	3	1.124 (28.5)	2.363 (60.0)	1.323 (33.6)	2.312 (58.7)	2.255 (57.3)	1.820 (46.2)
19	1,2, 4	1.399 (35.5)	2.770 (70.4)	1.572 (39.9)	2.719 (69.1)	2.505 (63.6)	1.095 (27.8)
20	3	1.399 (35.5)	2.770 (70.4)	1.572 (39.9)	2.719 (69.1)	2.505 (63.6)	1.820 (46.2)
21	1,2, 4	1.399 (35.5)	3.020 (76.7)	1.572 (39.9)	2.969 (75.4)	2.755 (70.0)	1.095 (27.8)
22	3	1.399 (35.5)	3.020 (76.7)	1.572 (39.9)	2.969 (75.4)	2.755 (70.0)	1.940 (49.3)
23	1,2, 4	---	---	1.572 (39.9)	3.531 (89.7)	3.255 (82.7)	1.220 (31.0)
24	3	---	---	1.572 (39.9)	3.531 (89.7)	3.255 (82.7)	2.060 (52.3)

For Strain Relief
Styles H, A, M
and D



- APPLICATION NOTES**
1. Assembly identified with manufacturer's name and part number, space permitting.
 2. Cable range is defined as the accommodations range for the wire bundle or cable. Dimensions shown are not intended for inspection criteria.
 3. Material / Finish: See Table II.
 4. Metric dimensions (mm) are indicated in parentheses.
 5. Not available with Style "M" Clamp
 6. Not available with Style "H" Clamp



630-007
Jam Nut Feed-Through Fittings
RFI/EMI Environmental

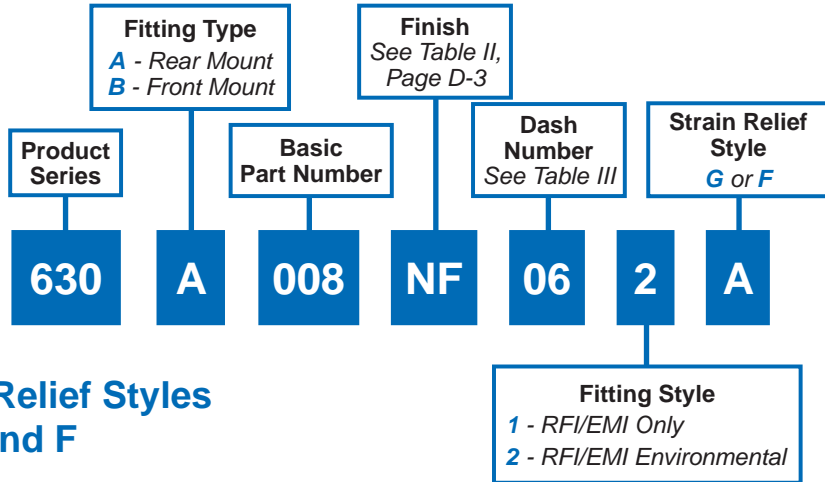


TABLE III: Dash Number, Cable Range and Dimensions (Continued Below)

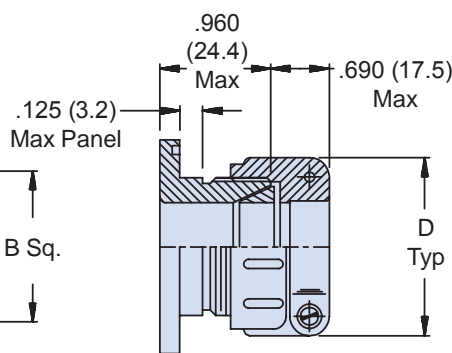
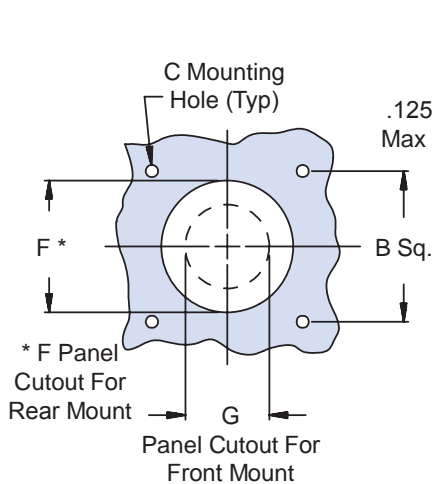
Dash No.	Style	Clamp Size	Cable Range		A Thread Unified	B Dim	C Flat		D Dia	
			Min	Max			± .010	(± .3)	± .010	(± .3)
01	1, 2, 4	03 ^{5,6}	.157 (4.0)	.250 (6.4)	1/2 -28	.688 (17.5)	.479 (12.2)	.515 (13.1)		
02	3	03 ^{5,6}	.157 (4.0)	.250 (6.4)	1/2 -28	.688 (17.5)	.479 (12.2)	.515 (13.1)		
03	1, 2, 4	04 ⁵	.187 (4.7)	.312 (7.9)	5/8 -24	.813 (20.7)	.595 (15.1)	.640 (16.3)		
04	3	04 ⁵	.187 (4.7)	.312 (7.9)	5/8 -24	.813 (20.7)	.595 (15.1)	.640 (16.3)		
05	1, 2, 4	06 ⁵	.281 (7.1)	.437 (11.1)	3/4 -20	.938 (23.8)	.720 (18.3)	.765 (19.4)		
06	3	06 ⁵	.281 (7.1)	.437 (11.1)	3/4 -20	.938 (23.8)	.720 (18.3)	.765 (19.4)		
07	1, 2, 4	08	.344 (8.7)	.562 (14.3)	7/8 -20	1.063 (27.0)	.845 (21.5)	.890 (22.6)		
08	3	08	.344 (8.7)	.562 (14.3)	7/8 -20	1.063 (27.0)	.845 (21.5)	.890 (22.6)		
09	1, 2, 4	10	.375 (9.5)	.625 (15.9)	1 -20	1.250 (31.8)	.970 (24.6)	1.015 (25.8)		
10	3	10	.375 (9.5)	.625 (15.9)	1 -20	1.250 (31.8)	.970 (24.6)	1.015 (25.8)		
11	1, 2, 4	12	.438 (11.1)	.750 (19.1)	1 3/16 -18	1.375 (34.9)	1.158 (29.4)	1.202 (30.5)		
12	3	12	.438 (11.1)	.750 (19.1)	1 3/16 -18	1.375 (34.9)	1.158 (29.4)	1.202 (30.5)		
13	1, 2, 4	16	.625 (15.9)	.937 (23.8)	1 7/16 -18	1.625 (41.3)	1.408 (35.8)	1.452 (36.9)		
14	3	16	.625 (15.9)	.937 (23.8)	1 7/16 -18	1.625 (41.3)	1.408 (35.8)	1.452 (36.9)		
15	1, 2, 4	20	.875 (22.2)	1.250 (31.8)	1 3/4 -18	2.000 (50.8)	1.720 (43.7)	1.765 (44.8)		
16	3	20	.875 (22.2)	1.250 (31.8)	1 3/4 -18	2.000 (50.8)	1.720 (43.7)	1.765 (44.8)		
17	1, 2, 4	24	1.000 (25.4)	1.375 (34.9)	2 -18	2.188 (55.6)	1.970 (50.0)	2.015 (51.2)		
18	3	24	1.000 (25.4)	1.375 (34.9)	2 -18	2.188 (55.6)	1.970 (50.0)	2.015 (51.2)		
19	1, 2, 4	28	1.250 (31.8)	1.625 (41.3)	2 1/4 -16	2.438 (61.9)	2.220 (56.4)	2.265 (57.5)		
20	3	28	1.250 (31.8)	1.625 (41.3)	2 1/4 -16	2.438 (61.9)	2.220 (56.4)	2.265 (57.5)		
21	1, 2, 4	32 ⁵	1.437 (36.5)	1.875 (47.6)	2 1/2 -16	2.813 (71.5)	2.470 (62.7)	2.515 (63.9)		
22	3	32 ⁵	1.437 (36.5)	1.875 (47.6)	2 1/2 -16	2.813 (71.5)	2.470 (62.7)	2.515 (63.9)		
23	1, 2, 4	40 ⁵	1.875 (47.6)	2.375 (60.3)	3 -16	3.375 (85.7)	2.970 (75.4)	3.015 (76.6)		
24	3	40 ⁵	1.875 (47.6)	2.375 (60.3)	3 -16	3.375 (85.7)	2.970 (75.4)	3.015 (76.6)		

TABLE III: (Continued from Above)

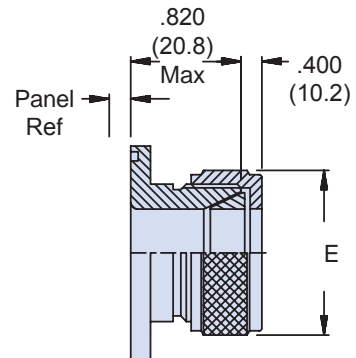
Dash No.	Style	E Max		F Max		G Max		H Max		J Max		Length Max
01	1, 2	---	---	---	---	.760 (19.3)	.843 (21.4)	.630 (16.0)	1.281 (32.5)			
02	3	---	---	---	---	.760 (19.3)	.843 (21.4)	.630 (16.0)	1.969 (50.0)			
03	1,2	.780 (19.8)	.957 (24.3)	.760 (19.3)	.906 (23.0)	.750 (19.2)	1.281 (32.5)					
04	3	.780 (19.8)	.957 (24.3)	.760 (19.3)	.906 (23.0)	.750 (19.2)	1.969 (50.0)					
05	1, 2	.780 (19.8)	1.145 (29.1)	.760 (19.3)	1.093 (27.8)	.942 (23.9)	1.281 (32.5)					
06	3	.780 (19.8)	1.145 (29.1)	.760 (19.3)	1.093 (27.8)	.942 (23.9)	1.969 (50.0)					
07	1,2	.780 (19.8)	1.332 (33.8)	.760 (19.3)	1.187 (30.1)	1.067 (27.1)	1.281 (32.5)					
08	3	.780 (19.8)	1.332 (33.8)	.760 (19.3)	1.187 (30.1)	1.067 (27.1)	1.969 (50.0)					
09	1, 2	.780 (19.8)	1.332 (33.8)	.760 (19.3)	1.281 (32.5)	1.192 (30.3)	1.281 (32.5)					
10	3	.780 (19.8)	1.332 (33.8)	.760 (19.3)	1.281 (32.5)	1.192 (30.3)	2.250 57.2					
11	1,2	.811 (20.6)	1.551 (39.4)	.760 (19.3)	1.500 (38.1)	1.380 (35.1)	1.344 (34.1)					
12	3	.811 (20.6)	1.551 (39.4)	.760 (19.3)	1.500 (38.1)	1.380 (35.1)	2.250 57.2					
13	1, 2	.905 (23.0)	1.770 (45.0)	1.073 (27.3)	1.719 (43.7)	1.535 (39.0)	1.344 (34.1)					
14	3	.905 (23.0)	1.770 (45.0)	1.073 (27.3)	1.719 (43.7)	1.535 (39.0)	2.250 57.2					
15	1,2	1.092 (27.7)	2.113 (53.7)	1.323 (33.6)	2.062 (52.4)	1.848 (46.9)	1.344 (34.1)					
16	3	1.092 (27.7)	2.113 (53.7)	1.323 (33.6)	2.062 (52.4)	1.848 (46.9)	2.250 57.2					
17	1, 2	1.124 (28.5)	2.363 (60.0)	1.323 (33.6)	2.312 (58.7)	2.255 (57.3)	1.406 (35.7)					
18	3	1.124 (28.5)	2.363 (60.0)	1.323 (33.6)	2.312 (58.7)	2.255 (57.3)	2.250 57.2					
19	1,2	1.399 (35.5)	2.770 (70.4)	1.572 (39.9)	2.719 (69.1)	2.505 (63.6)	1.406 (35.7)					
20	3	1.399 (35.5)	2.770 (70.4)	1.572 (39.9)	2.719 (69.1)	2.505 (63.6)	2.320 (58.9)					
21	1, 2	1.399 (35.5)	3.020 (76.7)	1.572 (39.9)	2.969 (75.4)	2.755 (70.0)	1.406 (35.7)					
22	3	1.399 (35.5)	3.020 (76.7)	1.572 (39.9)	2.969 (75.4)	2.755 (70.0)	2.375 (60.3)					
23	1,2	---	---	---	1.572 (39.9)	3.531 (89.7)	3.255 (82.7)	1.531 (38.9)				
24	3	---	---	---	1.572 (39.9)	3.531 (89.7)	3.255 (82.7)	2.375 (60.3)				



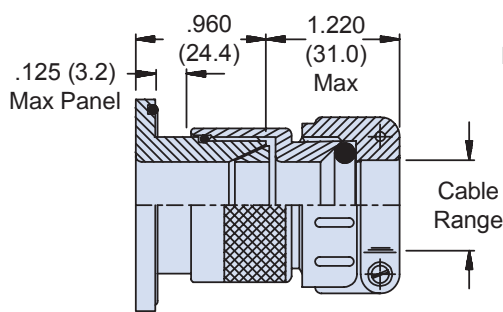
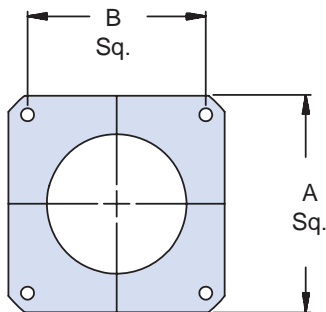
For Strain Relief Styles G and F



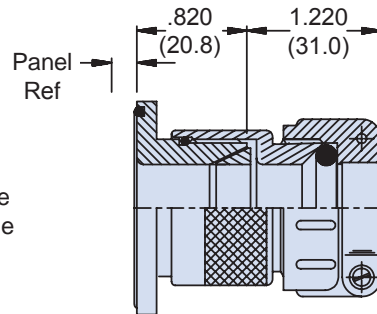
Style 1
Rear Mount Type A
RFI/EMI
(Shown With Style F
Strain Relief)



Style 1
Front Mount Type B
RFI/EMI
(Shown With Style G
Gland Nut)



Style 2
Rear Mount Type A
RFI/EMI Environmental
(Shown With Style F
Strain Relief)



Style 2
Front Mount Type A
RFI/EMI Environmental
(Shown With Style F
Strain Relief)

F

630-008
Square Flange Feed-Through Fittings
RFI/EMI Environmental



TABLE III: Dash Number, Cable Range and Dimensions (Continued Below)

Dash No.	Cable Range		A		B		C	
	Min	Max	Max		Dim		+0.015 - 0	(+0.4) (-0.0)
01	.125 (3.2)	.250 (6.4)	.885 (22.5)	.593 (15.1)	.120 (3.0)			
02	.156 (4.0)	.375 (9.5)	1.104 (28.0)	.812 (20.6)	.120 (3.0)			
03	.250 (6.4)	.438 (11.1)	1.197 (30.4)	.906 (23.0)	.120 (3.0)			
04	.280 (7.1)	.500 (12.7)	1.291 (32.8)	.968 (24.6)	.120 (3.0)			
05	.375 (9.5)	.625 (15.9)	1.385 (35.2)	1.062 (27.0)	.120 (3.0)			
06	.500 (12.7)	.750 (19.1)	1.635 (41.5)	1.250 (31.8)	.120 (3.0)			
07	.625 (15.9)	.875 (22.2)	1.760 (44.7)	1.375 (34.9)	.147 (3.7)			
08	.750 (19.1)	1.000 (25.4)	2.010 (51.1)	1.562 (39.7)	.147 (3.7)			
09	.875 (22.2)	1.125 (28.6)	2.260 (57.4)	1.750 (44.5)	.173 (4.4)			
10	1.000 (25.4)	1.250 (31.8)	2.510 (63.8)	1.938 (49.2)	.173 (4.4)			

TABLE III: (Continued from Above)

Dash No.	D		E		F		G	
	Max		Max		+0.015 - 0	(+0.4) (-0.0)	+0.031 - 0	(+0.8) (-0.0)
01	.843 (21.4)	.625 (15.9)	.515 (13.1)	.250 (6.4)				
02	.968 (24.6)	.750 (19.1)	.640 (16.3)	.375 (9.5)				
03	1.046 (26.6)	.875 (22.2)	.765 (19.4)	.438 (11.1)				
04	1.156 (29.4)	1.000 (25.4)	.890 (22.6)	.500 (12.7)				
05	1.218 (30.9)	1.125 (28.6)	1.015 (25.8)	.625 (15.9)				
06	1.343 (34.1)	1.250 (31.8)	1.140 (29.0)	.750 (19.1)				
07	1.468 (37.3)	1.375 (34.9)	1.265 (32.1)	.875 (22.2)				
08	1.593 (40.5)	1.500 (38.1)	1.390 (35.3)	1.000 (25.4)				
09	1.718 (43.6)	1.625 (41.3)	1.515 (38.5)	1.125 (28.6)				
10	1.843 (46.8)	1.750 (44.5)	1.640 (41.7)	1.250 (31.8)				

APPLICATION NOTES

1. Assembly identified with manufacturer's name and part number, space permitting.
2. Cable range is defined as the accommodations range for the wire bundle or cable. Dimensions shown are not intended for inspection criteria.
3. Material / Finish: See Table II.
4. Metric dimensions (mm) are indicated in parentheses.

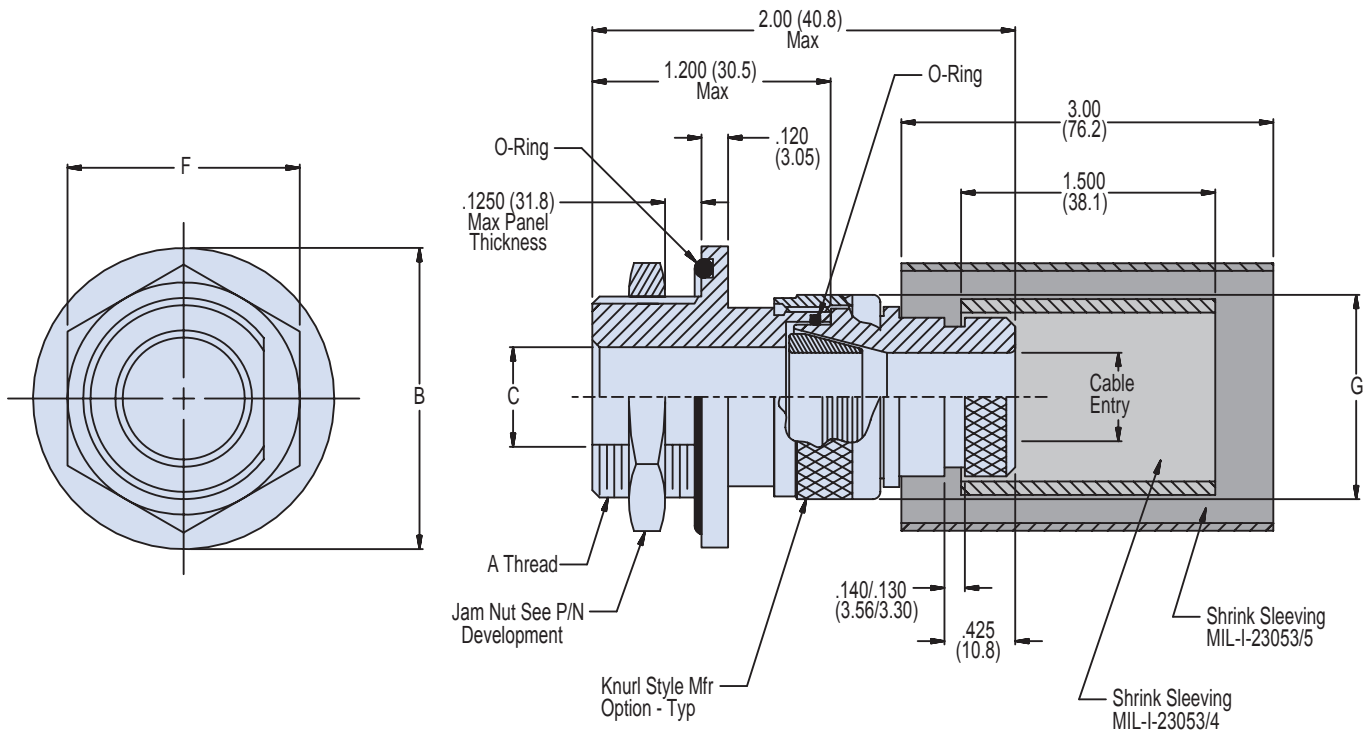
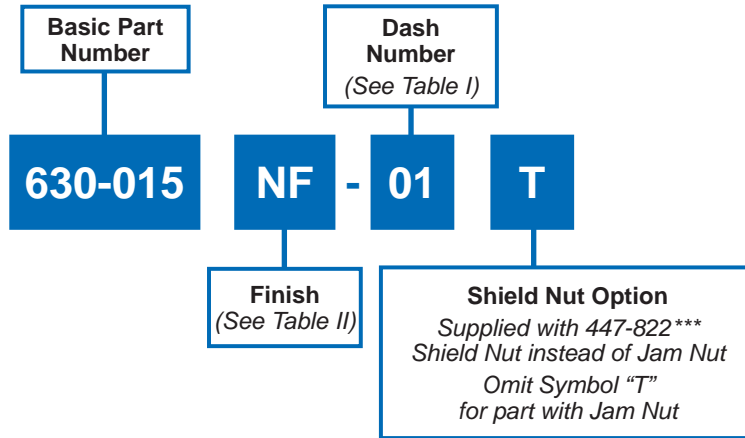
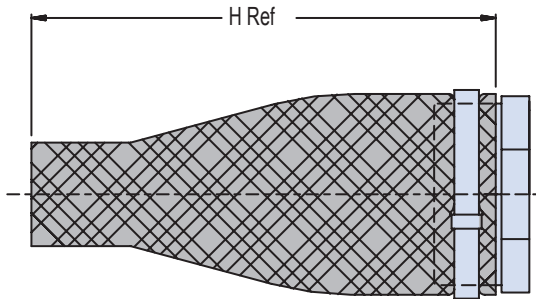


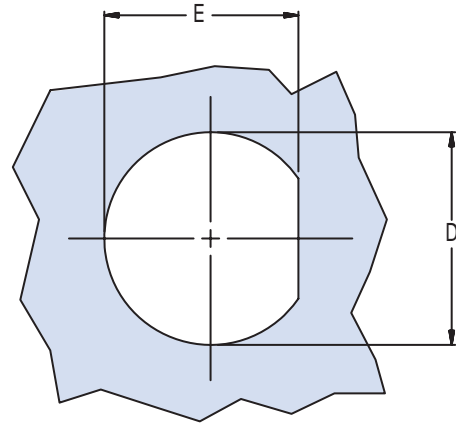
TABLE I: Dash Number and Dimensions

Dash No.	A Thread Class 2A	B Max	C $+0.010 (0.25) -0$	D $+0.010 (0.25) -0$	E $+0.010 (0.25) -0$	F	G Max	H Min	Max Cable Entry	MIL-I-23053 Shrink Sleeve	MIL-I-23053 Shrink Sleeve	Braid Sock 103-005-005 Ref
01	3/4-20 UNEF	1.140 (29.0)	.340 (8.6)	.755 (19.2)	.691 (17.6)	.938 (23.8)	1.004 (25.5)	6.0	.335 (8.5)	/4-204-0	/5-109-0	A10
02	3/4-20 UNEF	1.140 (29.0)	.460 (11.7)	.755 (19.2)	.691 (17.6)	.938 (23.8)	1.132 (28.8)	6.0	.455 (11.6)	/4-204-0	/5-109-0	A10
03	7/8-20 UNEF	1.280 (32.5)	.630 (16.0)	.880 (22.4)	.816 (20.7)	1.062 (27.0)	1.343 (34.1)	6.0	.625 (15.9)	/4-205-0	/5-110-0	A10
04	1 1/16-18 UNEF	1.490 (37.8)	.755 (19.2)	1.067 (27.1)	1.004 (25.5)	1.250 (31.8)	1.468 (37.3)	6.0	.750 (19.1)	/4-206-0	/5-110-0	A14
05	1 3/16-18 UNEF	1.640 (41.7)	.880 (22.4)	1.192 (30.3)	1.130 (28.7)	1.375 (34.9)	1.593 (40.5)	6.0	.875 (22.2)	/4-506-0	/5-111-0	A16
06	1 5/16-18 UNEF	1.930 (49.0)	1.005 (25.5)	1.137 (28.9)	1.254 (31.9)	1.625 (41.3)	1.656 (42.1)	6.0	1.000 (25.4)	/4-305-0	/5-111-0	A18

630-015
Fiber Optic Bulkhead Feed-Through Adapter
Cable with Kevlar



447-822* ASSEMBLY**
Style T see P/N Development

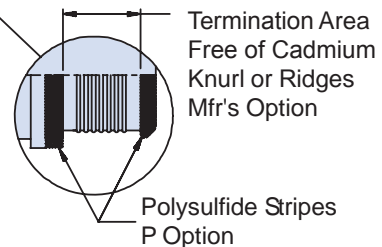
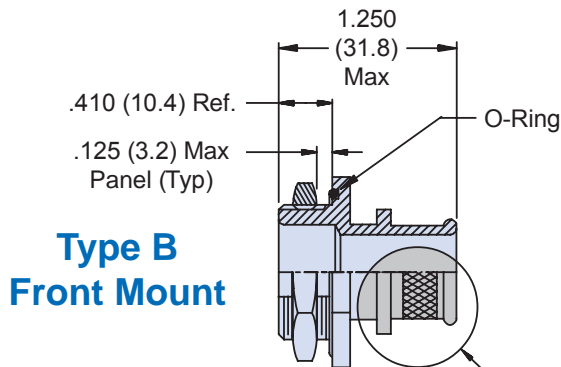
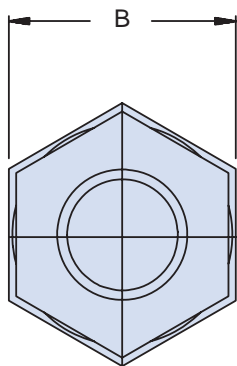
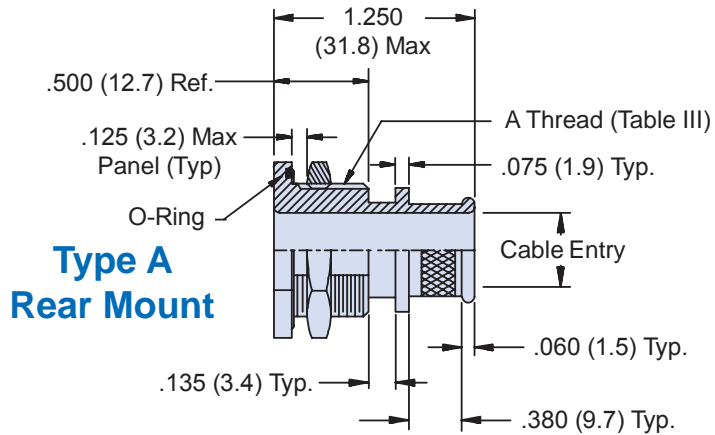
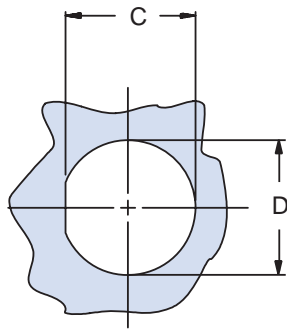
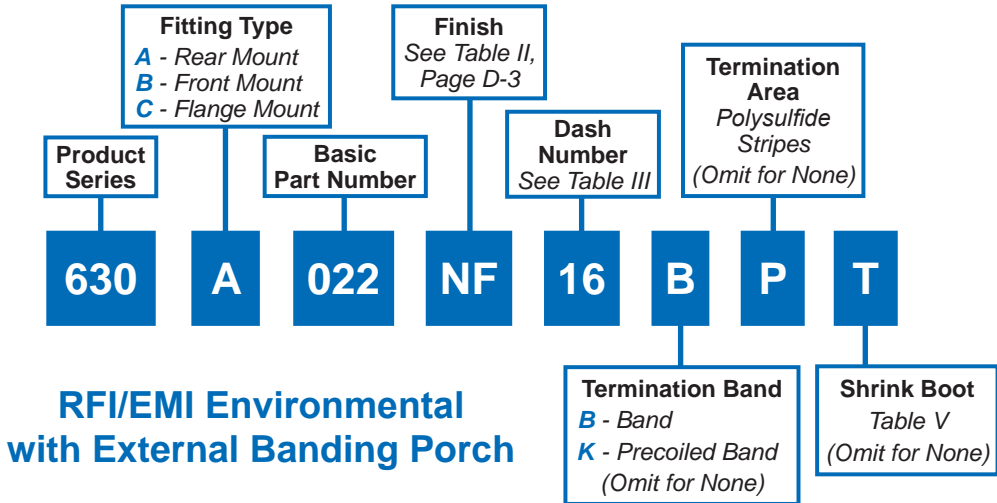


RECOMMENDED PANEL CUT-OUT

TABLE I: Finish	
Symbol	Description
B	Cadmium Plate/Olive Drab
M	Electroless Nickel
N	Cadmium Plate/Olive Drab over Nickel
NF	Cad/O.D. over Electroless Nickel (1,000 Hr. Salt Spray)

APPLICATION NOTES	
1.	Assembly identified with manufacturer's code identification number (Glenair, part number and classification code 490).
2.	Glenair series 600 backshell assembly tools are recommended for assembly and installation.
3.	Material / Finish: Adapters, Jam Nut, Ferrule, Coupling Nut - Al alloy/see Table I. Hardware - 316 SST/passivate. Seals and gaskets - Silicone/N.A. Mounting Plate - 300 series SST/passivate.
4.	MIL-T-23053/4 & /5 shrink sleeving to be packaged loose in a plastic bag.
5.	Metric dimensions (mm) are indicated in parentheses.





F

630-022 Feed-Through Fittings Banding Adapter RFI/EMI Environmental



Feed-Throughs

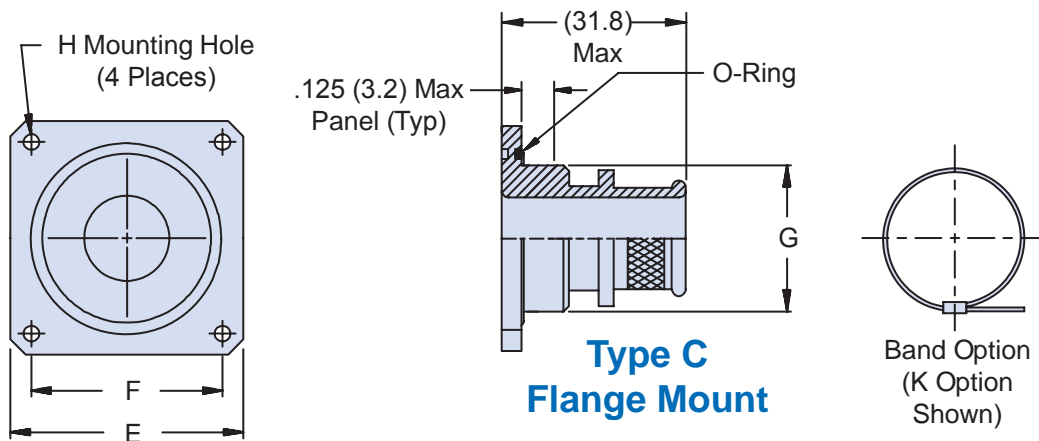


TABLE III: Dash Number, Cable Range and Dimensions

No.	Cable Entry Dia	A Thread Unified	B Dim	C Flat ± .010 (± .3)	D Dia ± .010 (± .3)	E Sq ± .031 (± .8)	F Dim.	Dia	
								□ .00 □ (□ .1)	□ .01 □ (□ .1)
03	.188 (4.8)	1/2 -28	.688 (17.5)	.480 (12.2)	.515 (13.1)	.875 (22.2)	.594 (15.1)	.500 (12.7)	
04	.250 (6.4)	1/2 -28	.688 (17.5)	.480 (12.2)	.515 (13.1)	.875 (22.2)	.594 (15.1)	.500 (12.7)	
05	.313 (8.0)	5/8 -24	.813 (20.7)	.605 (15.4)	.640 (16.3)	1.000 (25.4)	.719 (18.3)	.625 (15.9)	
06	.375 (9.5)	5/8 -24	.813 (20.7)	.605 (15.4)	.640 (16.3)	1.000 (25.4)	.719 (18.3)	.625 (15.9)	
07	.438 (11.1)	3/4 -20	.938 (23.8)	.730 (18.5)	.765 (19.4)	1.094 (27.8)	.812 (20.6)	.750 (19.1)	
08	.500 (12.7)	3/4 -20	.938 (23.8)	.730 (18.5)	.765 (19.4)	1.094 (27.8)	.812 (20.6)	.750 (19.1)	
09	.563 (14.3)	7/8 -20	1.063 (27.0)	.855 (21.7)	.890 (22.6)	1.188 (30.2)	.906 (23.0)	.875 (22.2)	
10	.625 (15.9)	7/8 -20	1.063 (27.0)	.855 (21.7)	.890 (22.6)	1.188 (30.2)	.906 (23.0)	.875 (22.2)	
11	.688 (17.5)	1 -20	1.188 (30.2)	.980 (24.9)	1.015 (25.8)	1.281 (32.5)	.969 (24.6)	1.000 (25.4)	
12	.750 (19.1)	1 -20	1.188 (30.2)	.980 (24.9)	1.015 (25.8)	1.281 (32.5)	.969 (24.6)	1.000 (25.4)	
13	.813 (20.7)	1 1/8 -18	1.313 (33.4)	1.105 (28.1)	1.140 (29.0)	1.375 (34.9)	1.062 (27.0)	1.125 (28.6)	
14	.875 (22.2)	1 1/4 -18	1.438 (36.5)	1.230 (31.2)	1.265 (32.1)	1.500 (38.1)	1.156 (29.4)	1.250 (31.8)	
15	.938 (23.8)	1 1/4 -18	1.438 (36.5)	1.230 (31.2)	1.265 (32.1)	1.500 (38.1)	1.156 (29.4)	1.250 (31.8)	
16	1.000 (25.4)	1 3/8 -18	1.563 (39.7)	1.355 (34.4)	1.390 (35.3)	1.625 (41.3)	1.250 (31.8)	1.375 (34.9)	
17	1.063 (27.0)	1 3/8 -18	1.563 (39.7)	1.355 (34.4)	1.390 (35.3)	1.625 (41.3)	1.250 (31.8)	1.375 (34.9)	
18	1.125 (28.6)	1 1/2 -18	1.688 (42.9)	1.480 (37.6)	1.515 (38.5)	1.750 (44.5)	1.375 (34.9)	1.500 (38.1)	
19	1.188 (30.2)	1 1/2 -18	1.688 (42.9)	1.480 (37.6)	1.515 (38.5)	1.750 (44.5)	1.375 (34.9)	1.500 (38.1)	
20	1.250 (31.8)	1 5/8 -18	1.813 (46.1)	1.605 (40.8)	1.640 (41.7)	1.812 (46.0)	1.500 (38.1)	1.625 (41.3)	
22	1.375 (34.9)	1 3/4 -18	1.938 (49.2)	1.730 (43.9)	1.765 (44.8)	2.000 (50.8)	1.562 (39.7)	1.750 (44.5)	
24	1.500 (38.1)	2 -18	2.188 (55.6)	1.980 (50.3)	2.015 (51.2)	2.250 (57.2)	1.750 (44.5)	2.000 (50.8)	
26	1.625 (41.3)	2 -18	2.188 (55.6)	1.980 (50.3)	2.015 (51.2)	2.250 (57.2)	1.750 (44.5)	2.000 (50.8)	
28	1.750 (44.5)	2 1/4 -16	2.438 (61.9)	2.230 (56.6)	2.265 (57.5)	2.500 (63.5)	1.938 (49.2)	2.250 (57.2)	

TABLE IV

Dash Nos.	H Dia
03-17	.125 (3.2)
18-20	.156 (4.0)
22-28	.188 (4.8)

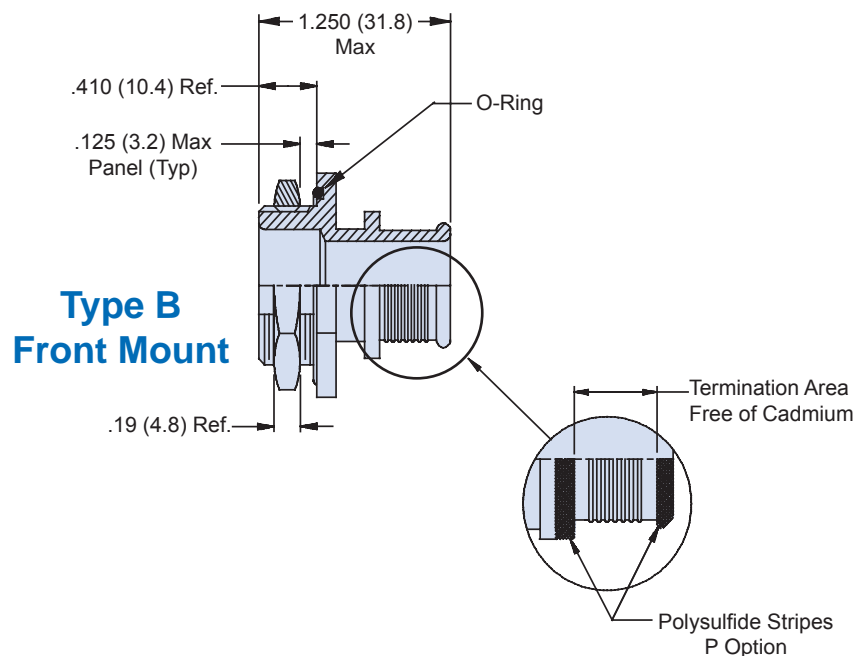
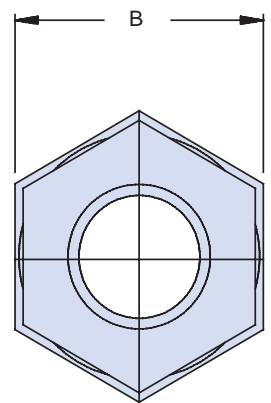
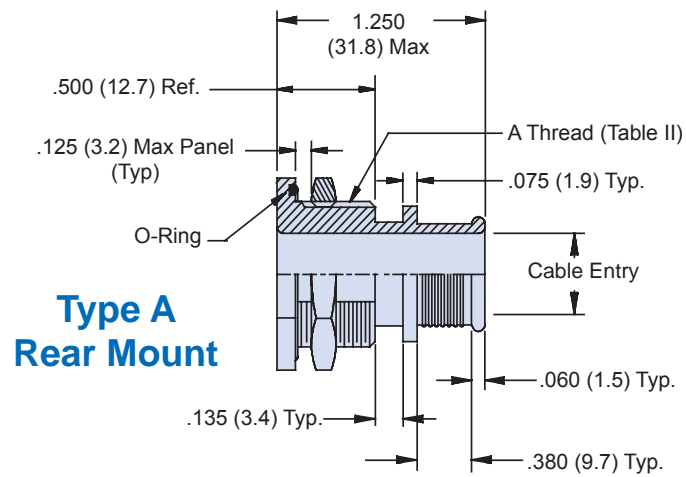
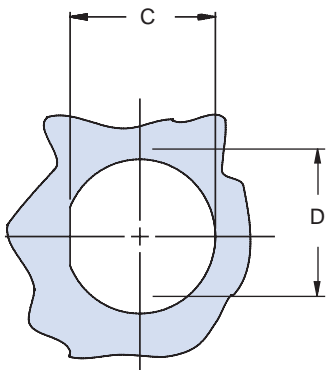
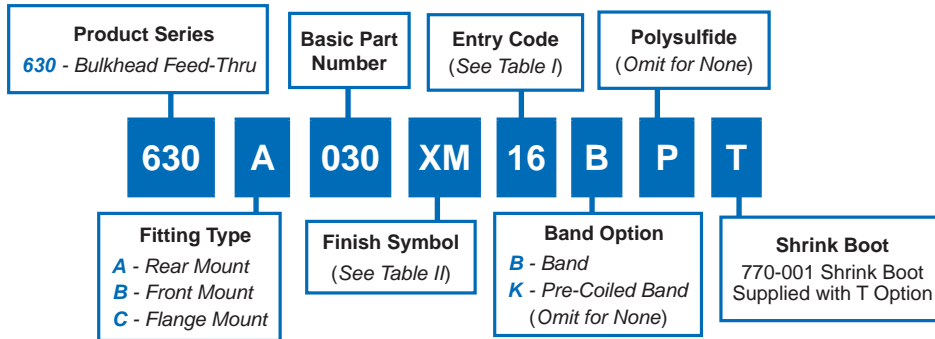
TABLE V: SHRINK BOOT

Dash No.	Shrink Boot (Note 4)
03	770-003S111
04-06	770-003S112
07-11	770-001S104
12-15	770-001S105
16-17	770-001S106
18-22	770-001S107
24-28	770-001S108

APPLICATION NOTES

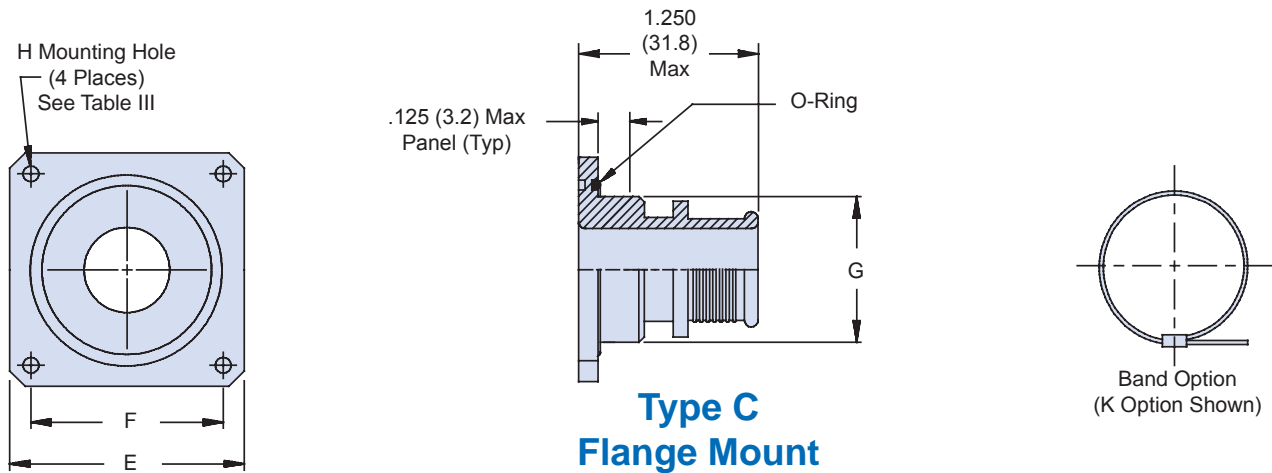
1. Assembly identified with manufacturer's name and part number, space permitting.
2. Cable range is defined as the accommodations range for the wire bundle or cable. Dimensions shown are not intended for inspection criteria.
3. Material / Finish: See Table II.
4. Glenair shrink boot supplied with "T" option (see P/N development)
5. Metric dimensions (mm) are indicated in parentheses.

F



F

630-030 Composite Thru-Box, Panel and Bulkhead RFI/EMI/Environmental Banding Adapter



**Type C
Flange Mount**

TABLE I: CABLE ENTRY

Entry Code	Cable Entry Dia	A Thread Unified	B Dim	C Flat ± .010 (± .3)	D Dia ± .010 (± .3)	E Sq ± .031 (± .8)	F Dim.	G Dia	
								+ .005 (+ .1)	- .015 (- .4)
03	.188 (4.8)	1/2 -28	.688 (17.5)	.480 (12.2)	.515 (13.1)	.875 (22.2)	.594 (15.1)	.500 (12.7)	.500 (12.7)
04	.250 (6.4)	1/2 -28	.688 (17.5)	.480 (12.2)	.515 (13.1)	.875 (22.2)	.594 (15.1)	.500 (12.7)	.500 (12.7)
05	.313 (8.0)	5/8 -24	.813 (20.7)	.605 (15.4)	.640 (16.3)	1.000 (25.4)	.719 (18.3)	.625 (15.9)	.625 (15.9)
06	.375 (9.5)	5/8 -24	.813 (20.7)	.605 (15.4)	.640 (16.3)	1.000 (25.4)	.719 (18.3)	.625 (15.9)	.625 (15.9)
07	.438 (11.1)	3/4 -20	.938 (23.8)	.730 (18.5)	.765 (19.4)	1.094 (27.8)	.812 (20.6)	.750 (19.1)	.750 (19.1)
08	.500 (12.7)	3/4 -20	.938 (23.8)	.730 (18.5)	.765 (19.4)	1.094 (27.8)	.812 (20.6)	.750 (19.1)	.750 (19.1)
09	.563 (14.3)	7/8 -20	1.063 (27.0)	.855 (21.7)	.890 (22.6)	1.188 (30.2)	.906 (23.0)	.875 (22.2)	.875 (22.2)
10	.625 (15.9)	7/8 -20	1.063 (27.0)	.855 (21.7)	.890 (22.6)	1.188 (30.2)	.906 (23.0)	.875 (22.2)	.875 (22.2)
11	.688 (17.5)	1 -20	1.188 (30.2)	.980 (24.9)	1.015 (25.8)	1.281 (32.5)	.969 (24.6)	1.000 (25.4)	1.000 (25.4)
12	.750 (19.1)	1 -20	1.188 (30.2)	.980 (24.9)	1.015 (25.8)	1.281 (32.5)	.969 (24.6)	1.000 (25.4)	1.000 (25.4)
13	.813 (20.7)	1 1/8 -18	1.313 (33.4)	1.105 (28.1)	1.140 (29.0)	1.375 (34.9)	1.062 (27.0)	1.125 (28.6)	1.125 (28.6)
14	.875 (22.2)	1 1/4 -18	1.438 (36.5)	1.230 (31.2)	1.265 (32.1)	1.500 (38.1)	1.156 (29.4)	1.250 (31.8)	1.250 (31.8)
15	.938 (23.8)	1 1/4 -18	1.438 (36.5)	1.230 (31.2)	1.265 (32.1)	1.500 (38.1)	1.156 (29.4)	1.250 (31.8)	1.250 (31.8)
16	1.000 (25.4)	1 3/8 -18	1.563 (39.7)	1.355 (34.4)	1.390 (35.3)	1.625 (41.3)	1.250 (31.8)	1.375 (34.9)	1.375 (34.9)
17	1.063 (27.0)	1 3/8 -18	1.563 (39.7)	1.355 (34.4)	1.390 (35.3)	1.625 (41.3)	1.250 (31.8)	1.375 (34.9)	1.375 (34.9)
18	1.125 (28.6)	1 1/2 -18	1.688 (42.9)	1.480 (37.6)	1.515 (38.5)	1.750 (44.5)	1.375 (34.9)	1.500 (38.1)	1.500 (38.1)
19	1.188 (30.2)	1 1/2 -18	1.688 (42.9)	1.480 (37.6)	1.515 (38.5)	1.750 (44.5)	1.375 (34.9)	1.500 (38.1)	1.500 (38.1)
20	1.250 (31.8)	1 5/8 -18	1.813 (46.1)	1.605 (40.8)	1.640 (41.7)	1.812 (46.0)	1.500 (38.1)	1.625 (41.3)	1.625 (41.3)
22	1.375 (34.9)	1 3/4 -18	1.938 (49.2)	1.730 (43.9)	1.765 (44.8)	2.000 (50.8)	1.562 (39.7)	1.750 (44.5)	1.750 (44.5)
24	1.500 (38.1)	2 -18	2.188 (55.6)	1.980 (50.3)	2.015 (51.2)	2.250 (57.2)	1.750 (44.5)	2.000 (50.8)	2.000 (50.8)
26	1.625 (41.3)	2 -18	2.188 (55.6)	1.980 (50.3)	2.015 (51.2)	2.250 (57.2)	1.750 (44.5)	2.000 (50.8)	2.000 (50.8)
28	1.750 (44.5)	2 1/4 -16	2.438 (61.9)	2.230 (56.6)	2.265 (57.5)	2.500 (63.5)	1.938 (49.2)	2.250 (57.2)	2.250 (57.2)

TABLE II

Symbol	Finish Description
XM	2000 Hour Corrosion Resistant Electroless Nickel
XMT	2000 Hour Corrosion Resistant Ni-PTFE, Nickel-Fluorocarbon Polymer. 1000 Hour Grey™
XW	2000 Hour Corrosion Resistant Cadmium/Olive Drab over Electroless Nickel

TABLE III: MOUNTING

Dash Nos.	H Dia
	+ .015 (+ .4)
	- .000 (- .0)
03-17	.125 (3.2)
18-20	.156 (4.0)
22-28	.188 (4.8)

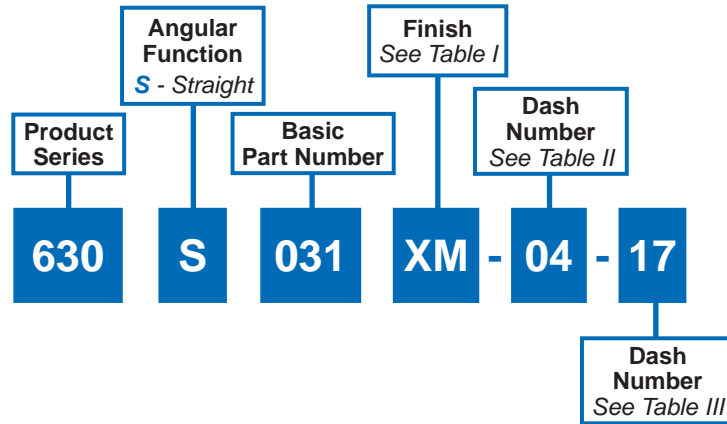
APPLICATION NOTES

- Metric dimensions (mm) are in parentheses and are for reference only
- Consult factory for shrink boot to be supplied with part.



630-031 Composite RFI/EMI Environmental Feed-Through Jam-Nut Mount Accessory Adapter

**For Use With
MIL-DTL-38999
Series III and
IV Accessory
Threads
(Glenair Code H)**



- APPLICATION NOTES**
- MIL-DTL-38999 Series III and IV accessory interface, Glenair Code H.
 - Metric dimensions (mm) are indicated in parentheses.

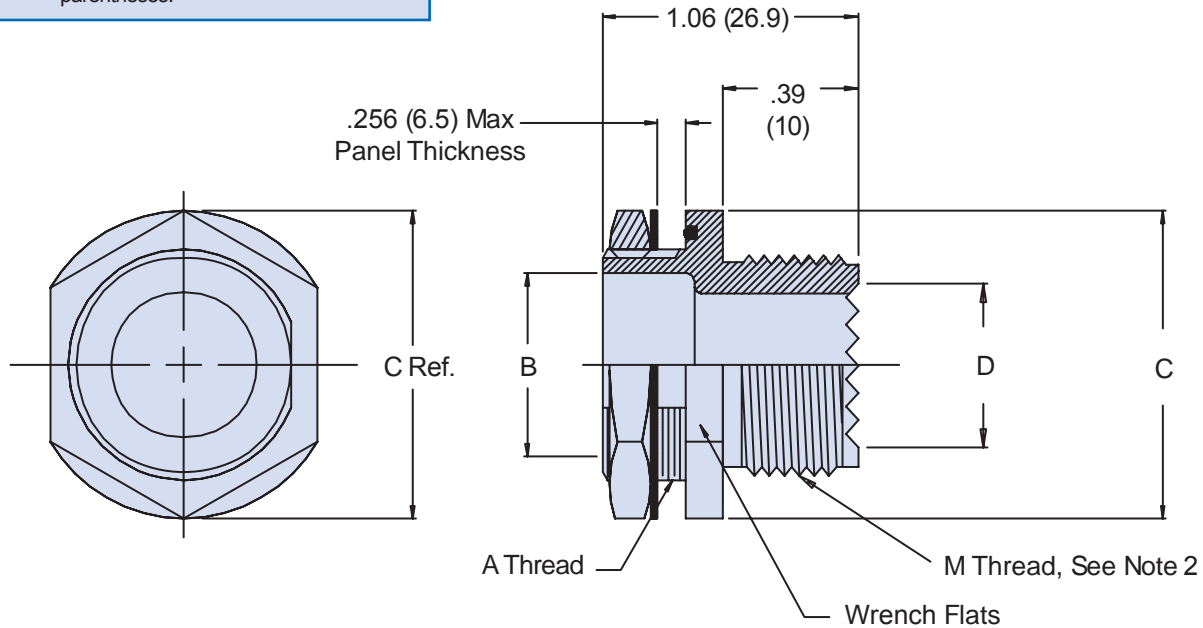


TABLE I: Finish

XM	Electroless Nickel
XW	Cadmium Olive Drab Over Electroless Nickel

TABLE II: Dash Number, Max Entry

Dash No.	A Thread ISO Metric	B Dia. Min.	C Max.	Max Entry Table III
01	M 16 x 1.5-6g	.394 (10.0)	1.024 (26.0)	11
02	M 20 x 1.5-6g	.551 (14.0)	1.181 (30.0)	13
03	M 27 x 2.0-6g	.866 (22.0)	1.496 (38.0)	21
04	M 36 x 2.0-6g	1.181 (30.0)	1.850 (47.0)	25

TABLE III: Dash Number

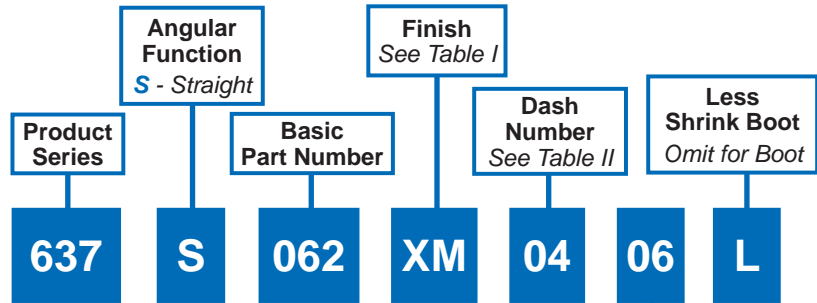
Dash No.	M Thread ISO Metric	D Min
09	M 12 x 1.0-6g	.250 (6.4)
11	M 15 x 1.0-6g	.375 (9.5)
13	M 18 x 1.0-6g	.500 (12.7)
15	M 22 x 1.0-6g	.625 (15.9)
17	M 25 x 1.0-6g	.750 (19.1)
19	M 28 x 1.0-6g	.812 (20.6)
21	M 31 x 1.0-6g	.938 (23.8)
23	M 34 x 1.0-6g	1.062 (27.0)
25	M 37 x 1.0-6g	1.188 (30.2)

637-062

Composite Shrink Boot Feed-Through Adapter Jam Nut Mount Environmental



Feed-Throughs



- APPLICATION NOTES**
1. Consult factory for shrink boot to be supplied with product.
 2. Metric dimensions (mm) are indicated in parentheses.

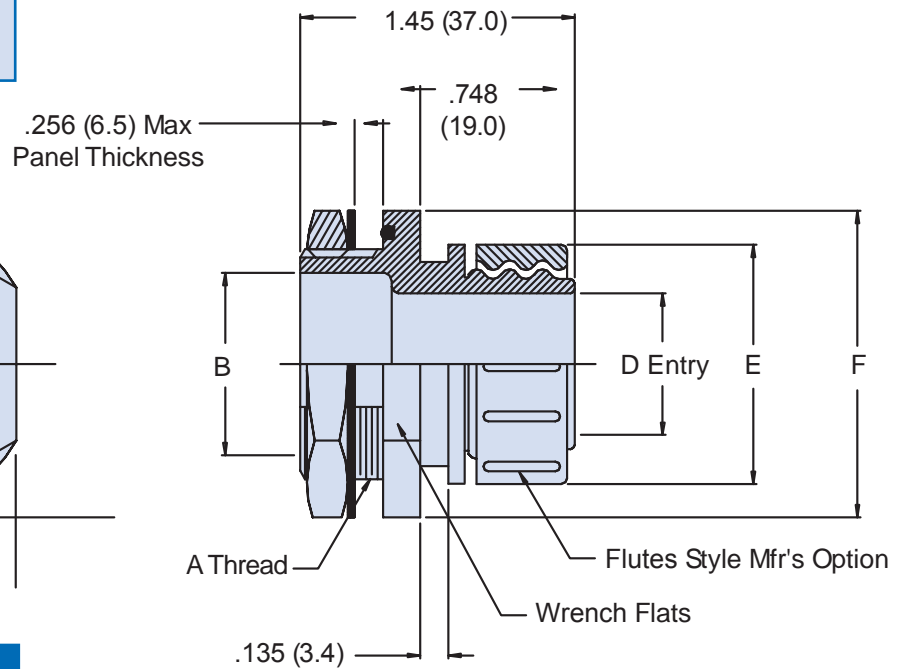
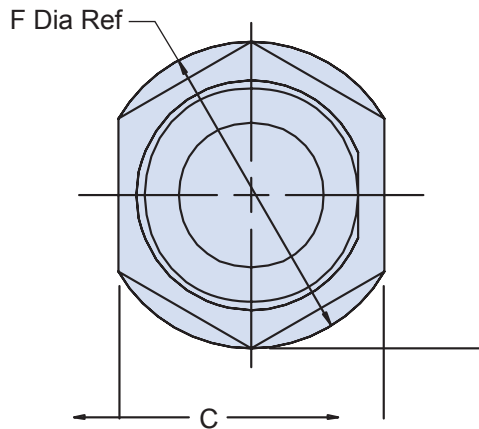


TABLE I: Finish

XM	Electroless Nickel
XW	Cadmium Olive Drab Over Electroless Nickel

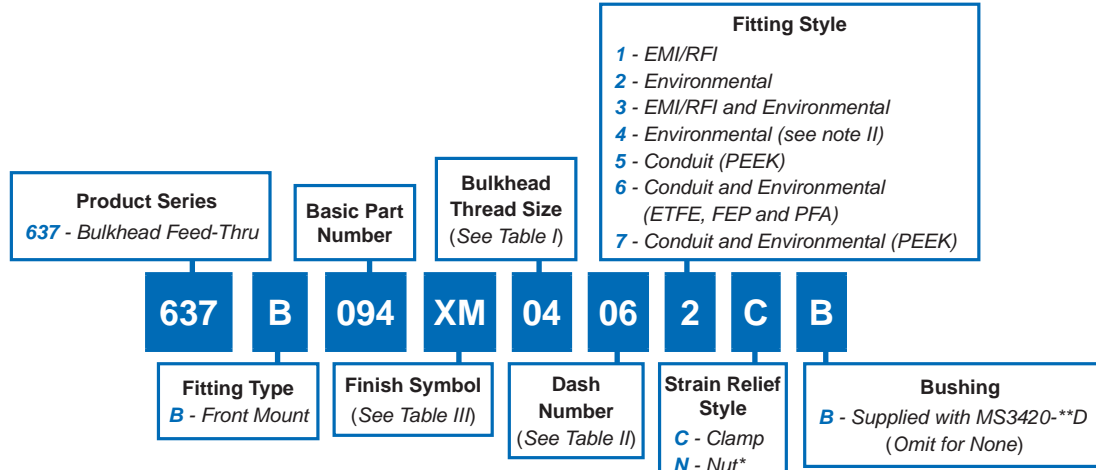
TABLE II: Dash Number, Max Entry

Dash No.	A Thread ISO Metric	B Dia Min	C Max	F Dia	Max Entry Table III
01	M 16 x 1.5-6g	.394 (10.0)	.98 (24.9)	1.10 (27.9)	03
02	M 20 x 1.5-6g	.551 (14.0)	1.18 (30.0)	1.31 (33.3)	04
03	M 27 x 2.0-6g	.866 (22.0)	1.50 (38.1)	1.63 (41.4)	07
04	M36 x 2.0-6g	1.181 (30.0)	1.97 (54.1)	2.13 (54.1)	08

TABLE III: Dash Number

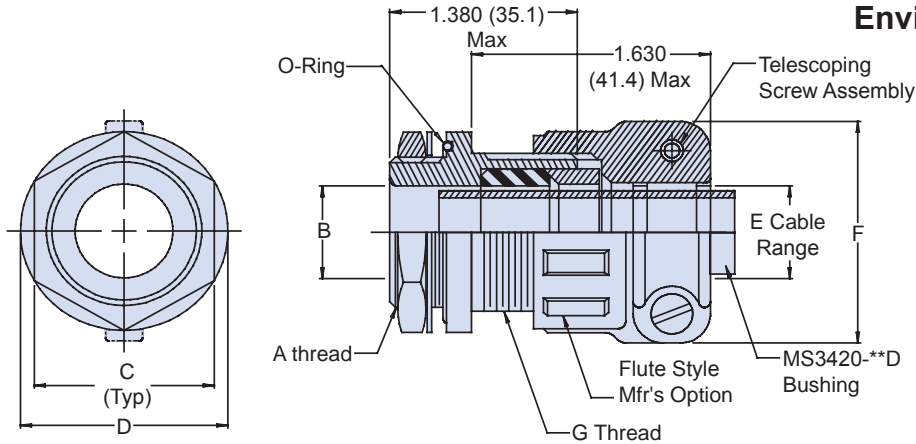
Dash No.	+03 -00	D (.8) (.0)	E Max
01	.125	(3.2)	.531 (13.5)
02	.250	(6.4)	.656 (16.7)
03	.375	(9.5)	.781 (19.8)
04	.500	(12.7)	.906 (23.0)
05	.625	(15.9)	1.031 (26.2)
06	.750	(19.1)	1.156 (29.4)
07	.875	(22.2)	1.281 (32.5)
08	1.000	(25.4)	1.406 (35.7)

F

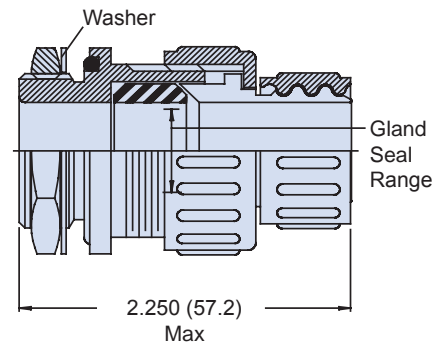


*(for styles A, B and C only)

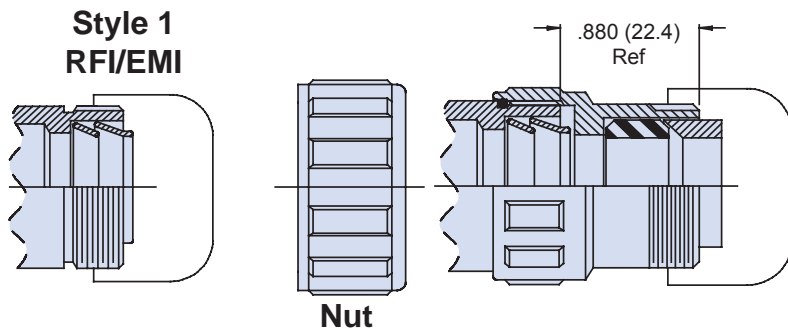
Type B Environmental Style 2



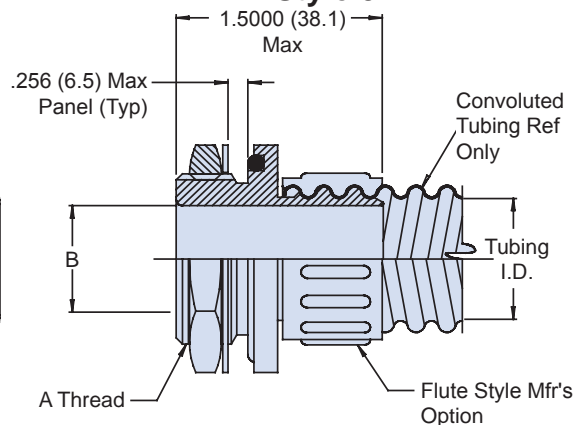
Type B Environmental Conduit Adapter Style 6 or 7



Type B RFI/EMI & Environmental Style 3



Type B Conduit Adapter Style 5



F

637-094
Composite Box Conduit or Cable
Feed-Through Adapter Series



Feed-Throughs

TABLE I: BULKHEAD THREAD SIZE

Dash No.	A Thread ISO Metric	B Ref Diameter	C	D Max Diameter	Max Entry Table II
01	M16 x 1.5-6g	.55 (14.0)	.875 (22.2)	1.06 (27.2)	06
02	M20 x 1.5-6g	.61 (15.5)	1.062 (27.0)	1.19 (30.5)	10
03	M27 x 2.0-6g	.86 (21.8)	1.375 (34.9)	1.50 (38.4)	16
04	M36 x 2.0-6g	1.21 (30.7)	1.750 (44.5)	2.00 (51.1)	20
05	1 -20 UNEF-2A	.78 (19.8)	1.250 (31.8)	1.38 (35.3)	12

TABLE II: CONNECTOR SHELL SIZE ORDER NUMBER

Dash No.	E		F Max	G Thread		Ref. Conduit Size Styles 5, 6 & 7
	Min	Max		Unified Class 2A	MS3420-**D	
04	.188 (4.8)	.312 (7.9)	1.150 (29.2)	11/16-24	-04	14
06	.291 (7.1)	.438 (11.1)	1.270 (32.3)	13/16-20	-06	16
10	.375 (9.5)	.610 (15.5)	1.460 (37.1)	1 1/16-18	-06 & -10	24
12	.438 (11.1)	.750 (19.1)	1.620 (41.1)	1 1/4-18	-08 & -12	28
16	.625 (15.9)	.860 (21.8)	1.770 (44.9)	1 1/2-18	-12 & -16	32
20	.875 (22.2)	1.210 (30.7)	2.060 (52.3)	1 13/16-16	-16 & -20	40

TABLE III

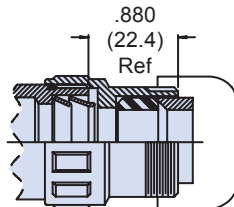
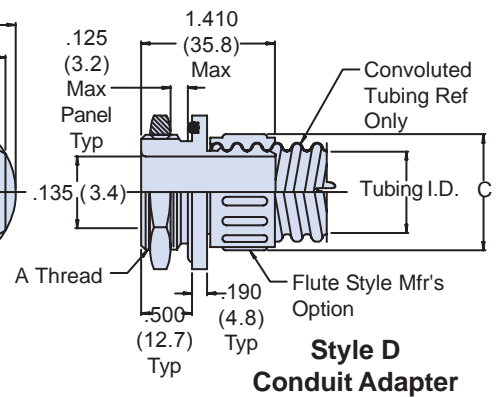
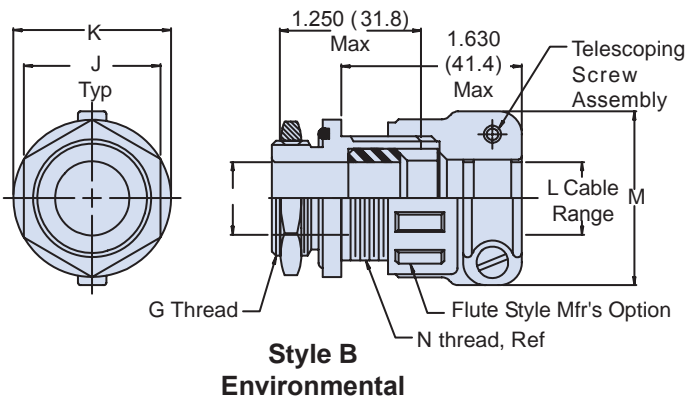
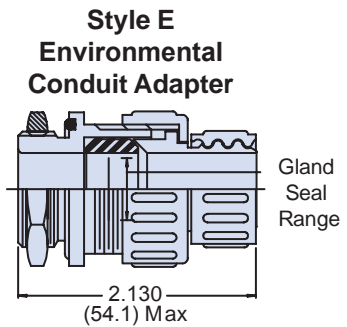
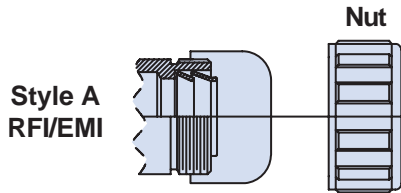
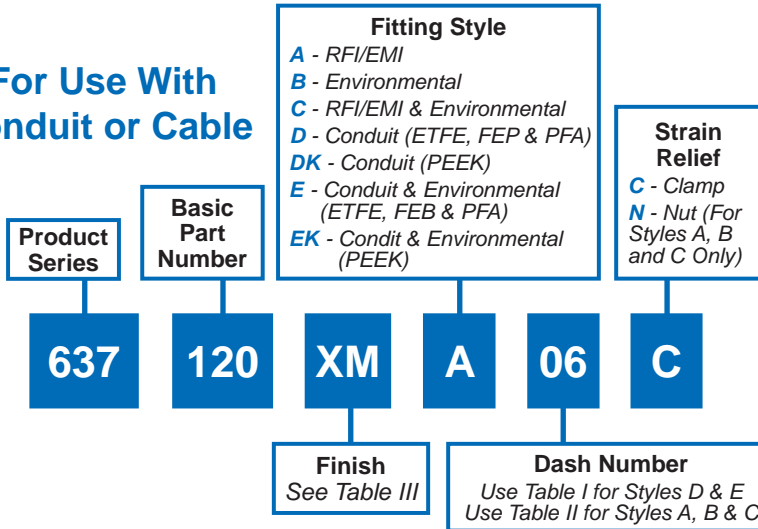
Symbol	Finish Description
XB	No Plating - Black Color (Non-Conductive Finish)
XM	2000 Hour Corrosion Resistant Electroless Nickel
XMT	2000 Hour Corrosion Resistant Ni-PTFE, Nickel-Fluorocarbon Polymer. <i>1000 Hour Grey™</i>
XO	No Plating - Brown Color (Non-Conductive Finish)
XW	2000 Hour Corrosion Resistant Cadmium/Olive Drab over Electroless Nickel

F



637-120 Composite Feed-Through Fitting Universal Conduit/Cable Accessory Adapter

**For Use With
Conduit or Cable**



APPLICATION NOTES

- Metric dimensions (mm) are indicated in parentheses.

F

637-120 Composite Feed-Through Fitting Universal Conduit/Cable Accessory Adapter



TABLE I

Dash No.	A Thread Class 2A	B Across Flat	C Max	D Min	E Max	Tubing I.D.		Gland Seal Range	
						Min	Max	Min	Max
06	1/2-28 UNEF	.750 (19.1)	.500 (12.7)	.162 (4.1)	.900 (22.9)	.181 (4.6)	.187 (4.7)	.156 (4.0)	.250 (6.4)
09	1/2-28 UNEF	.750 (19.1)	.600 (15.2)	.244 (6.2)	.900 (22.9)	.273 (6.9)	.281 (7.1)	.156 (4.0)	.250 (6.4)
10	5/8-24 UNEF	.880 (22.4)	.630 (16.0)	.274 (7.0)	1.030 (26.2)	.306 (7.8)	.312 (7.9)	.156 (4.0)	.250 (6.4)
12	5/8-24 UNEF	.880 (22.4)	.700 (17.8)	.326 (8.3)	1.030 (26.2)	.364 (9.2)	.375 (9.5)	.188 (4.8)	.312 (7.9)
14	3/4-20 UNEF	1.000 (25.4)	.760 (19.3)	.382 (9.7)	1.160 (29.5)	.427 (10.8)	.437 (11.1)	.250 (6.4)	.438 (11.1)
16	3/4-20 UNEF	1.000 (25.4)	.850 (21.6)	.434 (11.0)	1.160 (29.5)	.485 (12.3)	.500 (12.7)	.250 (6.4)	.438 (11.1)
20	7/8-20 UNEF	1.130 (28.7)	.970 (24.6)	.539 (13.7)	1.280 (32.5)	.608 (15.4)	.625 (15.9)	.375 (9.5)	.625 (15.9)
24	1-20 UNEF	1.250 (31.8)	1.140 (29.0)	.649 (16.5)	1.410 (35.8)	.730 (18.5)	.750 (19.1)	.375 (9.5)	.625 (15.9)
28	1 1/8-18 UNEF	1.500 (38.1)	1.280 (32.5)	.769 (19.5)	1.530 (38.9)	.860 (21.8)	.875 (22.2)	.438 (11.1)	.750 (19.1)
32	1 3/8-18 UNEF	1.750 (44.5)	1.450 (36.8)	.868 (22.0)	1.780 (45.2)	.975 (24.8)	1.000 (25.4)	.625 (15.9)	.938 (23.8)
40	1 1/2-18 UNEF	1.880 (47.8)	1.760 (44.7)	1.078 (27.4)	1.890 (48.0)	1.210 (30.7)	1.250 (31.8)	.875 (22.2)	1.250 (31.8)
48	1 3/4-18 UNEF	2.130 (54.1)	2.060 (52.3)	1.200 (30.5)	2.280 (57.9)	1.437 (36.5)	1.500 (38.1)	1.000 (25.4)	1.375 (34.9)
56	2-18 UNS	2.380 (60.5)	2.390 (60.7)	1.400 (35.6)	2.530 (64.3)	1.688 (42.9)	1.750 (44.5)	1.250 (31.8)	1.625 (41.3)
64	2 1/4-16 UN	2.630 (66.8)	2.570 (65.3)	1.600 (40.6)	2.780 (70.6)	1.937 (49.2)	2.000 (50.8)	1.250 (31.8)	1.625 (41.3)

TABLE II

Dash No.	G Thread Class 2A	H Min	J Across Flat	K Max	L		M Max	N Thread Unified Class 2 A
					Min	Max		
04	5/8-24 UNEF	.362 (9.2)	.880 (22.4)	1.030 (26.2)	.188 (4.8)	.312 (7.9)	1.150 (29.2)	11/16-24
06	3/4-20 UNEF	.434 (11.0)	1.000 (25.4)	1.160 (29.5)	.281 (7.1)	.438 (12.3)	1.270 (32.3)	13/16-20
10	1-20 UNEF	.649 (16.5)	1.250 (31.8)	1.410 (35.8)	.375 (9.5)	.610 (15.5)	1.460 (37.1)	1 1/16-18
12	1 1/8-18 UNEF	.769 (19.5)	1.500 (38.1)	1.530 (38.9)	.438 (12.3)	.750 (19.1)	1.620 (41.1)	1 1/4-18
16	1 3/8-18 UNEF	.868 (22.0)	1.750 (44.5)	1.780 (45.2)	.625 (15.9)	.860 (21.8)	1.770 (45.0)	1 1/2-18
20	1 3/4-10 UNEF	1.200 (30.5)	2.130 (54.1)	2.280 (57.9)	.875 (22.2)	1.210 (30.7)	2.060 (52.3)	1 13/16-16

TABLE III

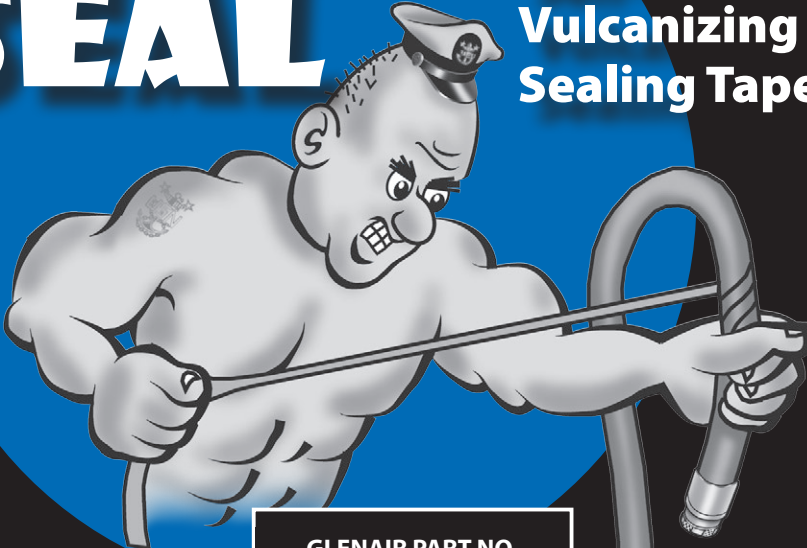
XM	Electroless Nickel
XW	Cadmium Olive Drab Over Electroless Nickel
XO	No Plating - Base Material Non-Conductive

APPLICATION NOTES

- Metric dimensions (mm) are indicated in parentheses.

MASTER SEAL

Self-Vulcanizing Sealing Tape



GLENAIR PART NO.
687-758

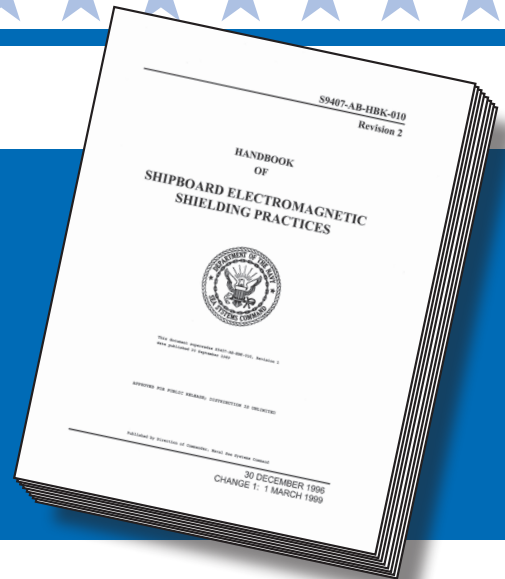
Halogen Free!

"BlueJacket" material sealing tape designed for temporary repairs to topside conduit; Stops water incursion into conduit until a permanent repair using MIL-PRF-24758A components can be made.

Glenair®

Get the U.S. Navy's

Handbook of Shipboard Electromagnetic Shielding Practices



S9407-AB-HBK-010, Rev. 2

Available on Glenair's website

http://www.glenair.com/shipboard_connector_and_conduit_solutions/pdf/handbook_of_shipboard_electromagnetic_shielding_practices.pdf

Glenair is also qualified for the following GR2000 and RP2000 series fittings. Consult factory for drawings and specifications.

NAVSEA HANDBOOK S9407-AB-HBK-010	NAVSEA HANDBOOK 0967-LP-283-5010
GR2120-X-XX-EMXX-XX	GR2120-X-X-X-XXSN
GR2121-XXSM	GR2121-XXSN
GR2122-XXXSM (Style A)	GR2122-XXXSN (Style A)
GR2122-XXXESM (Style B)	GR2122-XXXESN (Style B)
GR2123-X-XX-EMXX	GR2123-X-X-XXSN
GR2124-X-EMXX-XX	GR2124-X-X-XXSN
GR2125-X-EMXX-XX	GR2125-X-X-XXSN
GR2126-EMXX	GR2126-XX
GR2127-EMXX	GR2127-XX
GR2128-EMXX	GR2128-XXSM
GR2129-EMXX	GR2129-XX
RP2100-EMXX-T(S) Telescoping/Short	RP2100-GXX-T(S)
RP2110-EMXX-T(S) Telescoping/Short	RP2110-GXX-T(S)
RP2120-EMXX-T(S) Telescoping/Short	RP2120-GXX-T(S)
RP2130-EMXX	RP2130-GXX
RP2140-EMXX	RP2140-GXX
RP2141-EMXX	RP2141-GXX
RP2200-EMXX	RP2200-GXX
RP2210-EMXX	RP2210-GXX
RP2311-XX-XX-XXSM	RP2311-XX-XX-XXSN
RP2321-XX-XXSM	RP2321-XX-XXSN
RP2330-XX-XX-N (No Letter Steel) SM	RP2330-XX-XX-N (No Letter Steel) SN
RP2340-XX-XX-XXSM	RP2340-XX-XX-XXSN
RP2350-XX-XX-XX-XSM	RP2350-XX-XX-XX-XXSN
RP2360-XX-XX-XXSM	RP2360-XX-XX-XXSN
RP2400-XX-XXSM	RP2400-XX-XXSN
RP2411-XX-XXSM	RP2411-XX-XXSN
RP2420-XX-XXSM	RP2420-XX-XXSN
RP2430-XXSM	RP2430-XXSN
RP2431-XXSM	RP2431-XXSN
RP2440-XXSM	RP2440-XXSN
RP2500-XXSM	RP2500-XXSN
RP2610-XXSM	RP2610-XXSN
RP2620-XXSM	RP2620-XXSN
SM = Electroless Nickel Plating/Mild Steel	SN = Cadmium over Electroless Nickel/Mild Steel



Selected Material and Finish Options for Glenair Connectors

Glenair Connectors: Selected Material and Finish Options

Code	Material	Finish	Finish Specification	Hrs. Salt Spray	Electrical Conductivity	Operating Temp. Range	RoHS	Notes
M	Aluminum	Electroless Nickel	AMS-C-26074 Class 4 Grade B; ASTM-B-733, SC 2, Type IV	48	Conductive	-65 to +200°C	✓	Glenair's standard electroless nickel finish.
MT	Aluminum	Nickel-PTFE	SAE AMS2454	500	Conductive	-65 to +175°C	✓	Approved for MIL-DTL-38999L and MIL-DTL-83513G.
NF	Aluminum	Cadmium, Olive Drab	SAE-AMS-QQ-P-416 Type II Class 2 over electroless nickel	500	Conductive	-65 to +175°C		Glenair's standard olive drab cadmium finish.
XB	Composite	Unplated Black		2000	Non-Conductive	-65 to +175°C	✓	Glenair's standard unplated composite.
XM	Composite	Electroless Nickel	AMS-C-26074 Class 4, Grade B	2000	Conductive	-65 to +200°C	✓	Glenair's standard electroless nickel finish over composite.
XW	Composite	Cadmium, Olive Drab	SAE-AMS-QQ-P-416 Type II Class 3 over electroless nickel	2000	Conductive	-65 to +175°C		Glenair's standard olive drab cadmium finish over composite.
Z1	Stainless Steel	Passivate	SAE AMS 2700	500	Conductive	-65 to +200°C	✓	Glenair's standard passivated stainless steel.
ZM	Stainless Steel	Electroless Nickel	AMS-C-26074 Class 1 Grade A		Conductive	-65 to +200°C	✓	Used on hermetic connectors. Use ZM for other applications.
ZN	Aluminum	Zinc-Nickel, Olive Drab	ASTM B841 Grade 5 over electroless nickel	500	Conductive	-65 to +175°C		Glenair's standard olive drab zinc-nickel finish.
ZR	Aluminum	Zinc-Nickel, Black	ASTM B841 Grade 5 over electroless nickel	500	Conductive	-65 to +175°C	✓	Glenair's RoHS compliant black zinc-nickel
ZU	Stainless Steel	Cadmium, Black	SAE-AMS-QQ-P-416 Type II Class 2	500	Conductive	-65 to +175°C		Glenair's standard black cadmium over stainless steel.

Selected Material and Finish Options for Glenair Backshells



Glenair Backshells: Selected Material and Finish Options								
Code	Material	Finish	Finish Specification	Hrs. Salt Spray	Electrical Conductivity	Operating Temp. Range	RoHS	Notes
M	Aluminum	Electroless Nickel	AMS-C-26074 Class 4 Grade B; ASTM-B-733, SC 2, Type IV	48	Conductive	-65 to +200°C	✓	Glenair's standard electroless nickel finish.
MT	Aluminum	Nickel-PTFE	SAE AMS2454	1000	Conductive	-65 to +175°C	✓	Approved for MIL-DTL-38999L and MIL-DTL-83513G.
NF	Aluminum	Cadmium, Olive Drab	SAE-AMS-QQ-P-416 Type II Class 2 over electroless nickel	1000	Conductive	-65 to +175°C		Glenair's standard olive drab cadmium finish.
P	Stainless Steel	Electro-deposited Nickel	SAE-AMS-QQ-N-290 Class 1 Grade F	500	Conductive	-65 to +200°C	✓	Use ZM for electroless nickel alternative.
XM	Composite	Electroless Nickel	AMS-C-26074	2000	Conductive	-65 to +175°C	✓	Glenair's standard electroless nickel finish over composite.
XO	Composite	Unplated Light Brown		2000	Non-Conductive	-65 to +175°C	✓	Not recommended for new projects. Use XB.
XW	Composite	Cadmium, Olive Drab	SAE-AMS-QQ-P-416 Type II Class 3 over electroless nickel	2000	Conductive	-65 to +175°C		Glenair's standard olive drab cadmium finish over composite.
Z1	Stainless Steel	Passivate	SAE-AMS-SAE-AMS-QQ-P-35 Type VI	1000	Conductive	-65 to +200°C	✓	Glenair's standard passivated stainless steel.
ZM	Stainless Steel	Electroless Nickel	AMS-C-26074 Class 1 Grade A		Conductive	-65 to +200°C	✓	Glenair's preferred nickel-plated stainless steel.
ZN	Aluminum	Zinc-Nickel, Olive Drab	ASTM B841 Grade 5 over electroless nickel	1000	Conductive	-65 to +175°C		Glenair's standard olive drab zinc-nickel finish.
ZR	Aluminum	Zinc-Nickel, Black	ASTM B841 Grade 5 over electroless nickel	500	Conductive	-65 to +175°C	✓	Glenair's RoHS compliant black zinc-nickel.
ZU	Stainless Steel	Cadmium, Black	SAE-AMS-QQ-P-416 Type II Class 3	1000	Conductive	-65 to +175°C		Glenair's standard black cadmium over stainless steel.

COMMON ACCESSORY INTERFACE DATA TABLE

CONNECTOR DESIGNATOR											A THREAD*	B	C	D	E
A	C*	D	E	F	G	H	J	K	L	S	REFERENCE	DIA MAX	DIA MAX	DIA MAX	DIA MAX
		08	08	08 [9]				08	08	08	7/16 – 28 UNEF	.590 (15.)	.650 (16.5)	.770 (19.6)	.690 (17.5)
08						09 [A]					M12 x 1 – 6H	.650 (16.5)	.770 (19.6)		.940 (24.8)
							08 [A]	10			1/2 – 20 UNF	.650 (16.5)	.650 (16.5)		.690 (17.5)
03		10	10	10 [11]				11	10	10	1/2 – 28 UNEF	.650 (16.5)	.770 (19.6)	.770 (19.6)	
						11 [B]					M15 x 1 – 6H	.770 (19.6)	.820 (20.8)		1.060 (26.9)
10								12 [13]			5/8 – 24 UNEF	.770 (19.6)	.770 (19.6)	.890 (22.6)	.820 (20.8)
							10 [B]				5/8 – 28 UN	.770 (19.6)	.890 (22.6)		
		12		12 [13]					12	12	11/16 – 24 UNEF	.840 (21.3)	.890 (22.6)	1.020 (25.9)	.940 (23.8)
12 [7]	12		12			13 [C]		14 [15]			M18 x 1 – 6H	.890 (22.6)	.940 (23.9)		1.170 (29.7)
		14	14	14 [15]		11 [A]					3/4 – 20 UNEF	.970 (24.6)	.940 (23.9)	1.020 (25.9)	.940 (23.8)
14 [12]	14					15 [D]			14	14	13/16 – 20 UNEF	.970 (24.6)	1.020 (29.2)	1.150 (29.2)	1.060 (26.9)
						13 [B]		16 [17]			M22 x 1 – 6H	1.030 (26.2)	1.070 (26.2)		1.290 (32.7)
							14 [D]				7/8 – 20 UNEF	1.090 (27.7)	1.020 (25.9)	1.150 (29.2)	1.060 (26.9)
		16	16	16 [17]					16	16	7/8 – 28 UN	1.030 (26.2)	1.150 (29.2)		
						17 [E]					15/16 – 20 UNEF	1.090 (27.7)	1.150 (29.2)	1.260 (32.0)	1.170 (29.7)
16 [19]	16					15 [C]		18			M25 x 1 – 6H	1.150 (29.2)	1.210 (30.7)		1.420 (36.1)
							16 [E]				1 – 20 UNEF	1.220 (29.2)	1.210 (30.7)	1.230 (31.2)	1.170 (29.7)
18 [27]		18	18	18 [19]					18	18	1 – 28 UN	1.150 (29.2)	1.360 (34.5)		
						19 [F]					1 1/16 – 18 UNEF	1.220 (31.0)	1.230 (31.2)	1.400 (35.6)	1.290 (32.7)
	18					17 [D]		20			M28 x 1 – 6H	1.280 (32.5)	1.360 (34.5)		1.540 (39.1)
							18 [F]				1 1/8 – 18 UNEF	1.340 (34.0)	1.360 (34.5)	1.360 (34.5)	
20 [37]		20	20	20 [21]					20	20	1 1/8 – 28 UN	1.280 (32.5)	1.480 (37.6)		
						21 [G]					1 3/16 – 18 UNEF	1.340 (34.0)	1.360 (34.5)	1.530 (38.9)	1.420 (36.0)
						19 [E]		22			M31 x 1 – 6H	1.410 (35.8)	1.480 (37.6)		1.670 (42.4)
	20					20 [G]					1 1/4 – 18 UNEF	1.470 (37.3)	1.530 (38.9)	1.480 (37.6)	
											1 1/4 – 28 UN	1.410 (35.8)	1.600 (40.6)		
22		22	22	22 [23]					22	22	1 5/16 – 18 UNEF	1.470 (37.3)	1.480 (37.6)	1.600 (40.6)	1.540 (39.1)
						23 [H]					M34 x 1 – 6H	1.530 (38.9)	1.600 (40.6)		2.010 (51.1)
	22							24			1 3/8 – 18 UNEF	1.590 (40.4)		1.600 (40.6)	
							22 [H]				1 3/8 – 28 UN	1.530 (38.9)	1.730 (43.9)		
24		24	24	24 [25]	23 [F]				24	24	1 7/16 – 18 UNEF	1.590 (40.4)	1.730 (43.9)	1.940 (49.3)	1.660 (42.2)
						25 [J]					M37 x 1 – 6H	1.660 (42.2)	1.700 (43.2)		2.120 (53.8)
61								24 [J]			1 1/2 – 18 UNEF	1.660 (42.2)	1.670 (42.4)		
											1 1/2 – 28 UN	1.660 (42.2)	1.940 (49.3)		
						25 [G]					1 9/16 – UNEF		1.820 (46.2)		
	24							28			1 5/8 – UNEF	1.840 (46.7)		1.940 (49.3)	
28											1 3/4 – 18 UNS	1.970 (50.0)	1.970 (50.0)		2.010 (51.1)
	28					29 [H]		32			1 7/8 – 16 UN	2.090 (53.1)	2.190 (55.6)	2.190 (55.6)	
32											2 – 18 UNS	2.280 (57.9)	2.220 (56.4)		2.260 (57.4)
	32					33 [J]					2 1/16 – 16 UNS	2.340 (59.4)	2.440 (62.0)	2.440 (62.0)	
								36			2 1/8 – 16 UN	2.340 (59.4)		2.440 (62.0)	
36											2 1/4 – 16 UN	2.530 (64.3)	2.47 (62.7)		2.530 (64.3)
	36										2 5/16 – 16 UNS	2.590 (65.8)		2.690 (68.3)	
								40			2 3/8 – 16 UN	2.590 (65.8)		2.690 (68.3)	
40											2 1/2 – 16 UN	2.780 (70.6)	2.720 (69.1)		3.040 (77.2)
	40										2 5/8 – 16 UN	2.910 (73.9)		2.930 (74.4)	
44											2 3/4 – 16 UN	3.030 (77.0)	2.970 (75.4)		
	44										2 7/8 – 16 UN	3.160 (80.3)			
48											3 – 16 UN	3.220 (81.8)	3.220 (81.8)		
	48										3 1/16 – 16 UN	3.410 (86.6)			

* Code C, MIL-C-22992, Left-Hand Thread. Connector designations depicted thus [] are for reference only and are not to be used in part number development.

BACKSHELL INTERFACE STANDARDS

DESIG. SPEC.	SERIES	DESIG. SPEC.	SERIES	DESIG. SPEC.	SERIES	DESIG. SPEC.	SERIES
A	MIL-DTL-5015 MS3400	A	PATT 602	G	MIL-C-28840	L	EN3372
	MIL-DTL-264822	B	MIL-DTL-5015 MS3100	H	MIL-DTL-38999III & IV		JN 1003
	AS81703 3	C	MIL-C-22992 MS173XX		EN3645		LN 29729
	MIL-DTL-83723I & III	D	MIL-DTL-264821	J	MIL-C-81511 1, 2, 3 & 4		NFC93422 HE306
	40M39569	E	MIL-DTL-26500Aluminum		VG95329		PAN 6433-2
	DEF 5326-3	F	MIL-DTL-38999I & II	K	MIL-DTL-83723II		PATT 615
	EN 2997, 3646		40M38277			S	VG 96912
	ESC 10, 11		PAN 6433-1				PATT 105
	LN 29504		PATT 614				PATT 603
	NFC93422 HE302		PATT 616				PATT 608
	PAN 6432-1, -2		NFC93422 HE308, 9				

WHY CHOOSE GLENAIR?



Plenty of Raw Materials!



Outstanding
Customer Service!



Abundant Machining Capacity!



In-House Assembly!



Huge "Same-Day" Inventory!

Glenair®



Out of This World
**INTERCONNECT
SOLUTIONS**

Glenair, Inc.

1211 Air Way • Glendale, California • 91201-2497
Telephone: 818-247-6000 • Fax: 818-500-9912 • sales@glenair.com
www.glenair.com

**Glenair Power
Products Group**

860 N. Main Street Extension
Wallingford, CT
06492

Telephone:
203-741-1115
Facsimile:
203-741-0053
sales@glenair.com

Glenair UK Ltd

40 Lower Oakham Way
Oakham Business Park
P.O. Box 37, Mansfield
Notts, NG18 5BY England

Telephone:
+44-1623-638100
Facsimile:
+44-1623-638111
sales@glenair.co.uk

Glenair Microway Systems

7000 North Lawndale Avenue
Lincolnwood, IL
60712

Telephone:
847-679-8833
Facsimile:
847-679-8849

Glenair Nordic AB

Gustav III : S Boulevard 46
S - 169 27 Solna
Sweden

Telephone:
+46-8-50550000
Facsimile:
+46-8-50550001
sales@glenair.se

Glenair Electric GmbH

Schaberweg 28
61348 Bad Homburg
Germany

Telephone:
06172 / 68 16 0
Facsimile:
06172 / 68 16 90
germany@glenair.com

Glenair Iberica

C/ La Vega, 16
45612 Velada
Spain

Telephone:
+34-925-89-29-88
Facsimile:
+34-925-89-29-87
sales@glenair.es

Glenair Italia S.p.A.

Via Del Lavoro, 7
40057 Quarto Inferiore –
Granarolo dell'Emilia
Bologna, Italy

Telephone:
+39-051-782811
Facsimile:
+39-051-782259
info@glenair.it

Glenair France SARL

7, Avenue Parmentier
Immeuble Central Parc #2
31200 Toulouse
France

Telephone:
+33-5-34-40-97-40
Facsimile:
+33-5-61-47-86-10
sales@glenair.fr

