

Glenair®



MIL-C-5015G CONNECTORS

IT SERIES

SERIE IT MIL-C-5015G TYPE POWER AND SIGNAL THREADED CONNECTORS

MAY 2014

Indice - Contents

Pag. / Page	2	Generalità - <i>General description</i>
	3	Caratteristiche tecniche - <i>Technical characteristics</i>
	4	Contatti a crimpare - <i>Crimp contacts</i>
	8	Contatti coassiali - <i>Coaxial contacts</i>
	9	Disposizione contatti - <i>Contact arrangement</i>
	11	Rotazioni alternative degli inserti - <i>Alternate positions of inserts</i>
	13	Inserti per contatti da termocoppia - <i>Inserts for thermocouple contacts</i>
	17	Disposizione contatti (vista anteriore inserto maschio) <i>Contact arrangement (front view of male insert)</i>
	30	Composizioni e classi - <i>Styles and classes</i>
	31	Esempio di composizioni - <i>Example of assembled components</i>
	32	Come ordinare - <i>How to order</i>
		Tipi di connettori - <i>Connector shell styles</i>
	33	IT 00 - Connettori da paratia - <i>Wall mounting receptacles</i>
	37	IT 01 - Connettori per giunzioni volanti - <i>In-line receptacles</i>
	41	IT 02 - Connettori da pannello senza accessori - <i>Box mounting receptacles without accessories</i>
	44	IT 06 - Connettori volanti diritti - <i>Straight plugs</i>
	54	IT 08 - Connettori volanti 90° - <i>90° plugs</i>
	60	Accessori - <i>Accessories</i>

Generalità *General description*

La serie IT è realizzata in accordo con la norma MIL-C-5015G e risponde ai requisiti della stessa per quel che riguarda materiali, prestazioni e intercambiabilità con i prodotti di altri costruttori.

Questi connettori circolari, progettati per il settore militare, oggi sono largamente usati anche nella industria per la loro robustezza e facile reperibilità in tutti i paesi.

Una larga opzione di accessori ne permette l'utilizzo in ogni condizione ambientale, mentre un numero molto elevato di configurazioni di inserti isolanti copre le esigenze di ogni utilizzatore.

Possono essere usati contatti di tipo a saldare o a crimpare, in lega di rame argentata o dorata ed in alcuni casi anche contatti per termocoppia.

La serie di connettori IT è la soluzione ottimale per le applicazioni nei settori più differenti.

Per ogni esigenza contattate il nostro servizio vendite.

Threaded IT series connectors are designed according to MIL-C-5015G specification and comply with all its requirements of performance, reliability and interchangeability with products of other manufacturers.

These circular connectors, specially designed for military applications, nowadays are widely used also in the industry where strength, reliability and high availability in other countries is essential.

A wide range of accessories allows to use these connectors in any environment, while a high number of contact arrangements covers every need of the customer.

These connectors may mount crimp or solder copper alloy contacts with silver or gold plating and also thermocouple contacts.

IT connectors series is the best solution for a high number of applications in various areas.

Please contact our sales department for any application requirement.

Caratteristiche tecniche

Technical characteristics

Parti metalliche

Lega di alluminio con trattamenti Cadmio e passivazione verde oliva.

Metal parts

Aluminium alloy with Cadmium surface coatings with an olive drab passivation.

Contatti

Lega di rame con trattamento superficiale di argento (standard) od oro (a richiesta).

Contacts

Copper alloy with silver plating (Std) or gold plating (available on request).

Parti isolanti

Gomma sintetica ad alto isolamento, resistente agli olii e ad un elevato range di temperature (-55°C ÷ +125°C) secondo MIL-R-3065.

In alternativa sono fornibili materiali resistenti al fuoco a basso contenuto di alogeni.

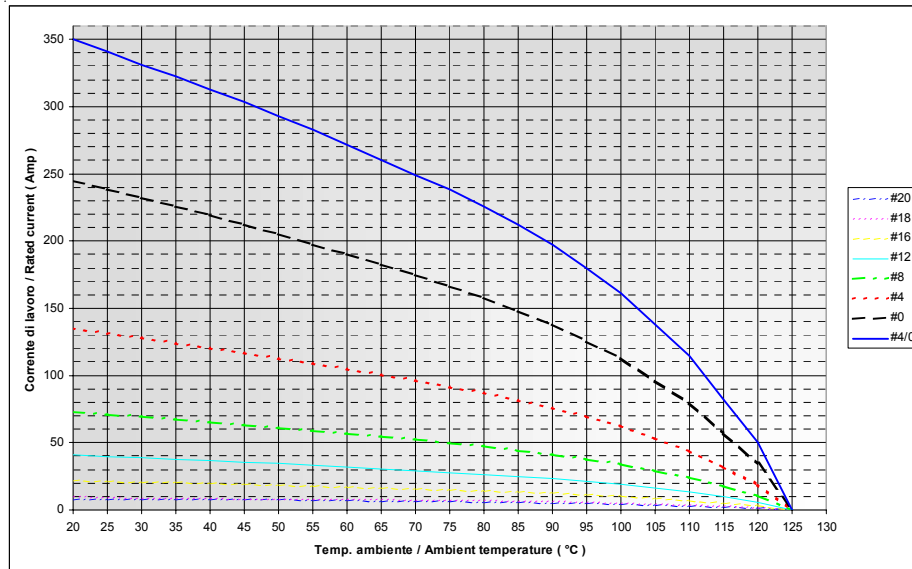
Insulating parts

High insulation synthetic rubber resistant to oils and high range of temperatures (-55°C to +125°C) in accordance with MIL-R-3065.

They are also available in fire resistant and halogen free materials.

Contatti - Contacts

Tipo contatto Contact size	Corrente di lavoro a 20°C Rated current at 20°C	Corrente di lavoro a 80°C Rated current at 80°C	Resist. Contatto Max. Max. Contact resist.	Sezione filo Wire size
20	7.5 A	7.5 A	12.0 mΩ	20÷26 AWG
18	10 A	7.5 A	12.0 mΩ	18÷26 AWG
16	22 A	13 A	6.0 mΩ	16÷22 AWG
12	41 A	23 A	3.0 mΩ	12-14 AWG
8	73 A	46 A	1.0 mΩ	8-10 AWG
4	135 A	80 A	0.5 mΩ	4-6 AWG
0	245 A	150 A	0.3 mΩ	0÷2 AWG
4/0	350 A	225 A	0.2 mΩ	4/0 AWG

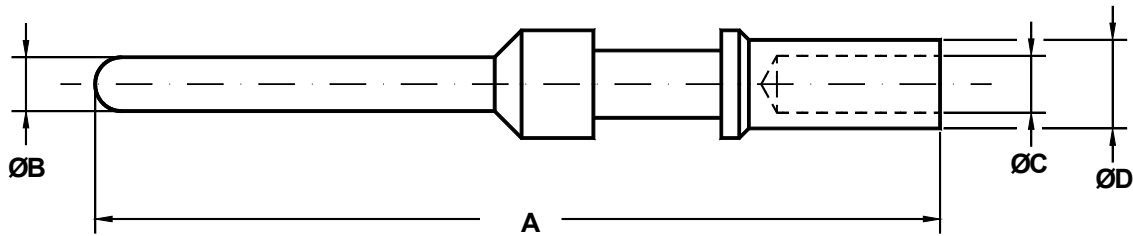


Isolamento - Service rating (Resistenza d'isolamento min - Min insulating resistance : $\geq 5 \times 10^3 \Omega$)

Classe Class	Tensione lavoro Vcc Operating voltage Vdc	Tensione lavoro Vca Operating voltage Vac RMS	Tens. Di prova Vca Test voltage Vac RMS
INST.	250 V	200 V	1000 V
A	700 V	500 V	2000 V
D	1250 V	900 V	2800 V
E	1750 V	1250 V	3500 V
B	2450 V	1750 V	4500 V
C	4200 V	3000 V	7000 V

Contatti maschio a pinzare

Pin crimp contacts



Part number	Contact Size	A		ØB		ØC		ØD		Wire Size	
		mm	Inches	mm	Inches	mm	Inches	mm	Inches	mm ²	AWG
10-375-20	20	24,30	0,957	1,00	0,039	1,30	0,051	1,93	0,076	0,15-0,6	26÷20
10-40579	18	29,60	1,165	1,40	0,055	1,30	0,051	1,93	0,076	0,15÷0,6	26÷20
10-40553	16S	26,60	1,047	1,58	0,062	1,70	0,067	2,60	0,102	1÷1,5	18÷16
10-40553-12	16S	26,60	1,047	1,58	0,062	1,19	0,047	2,59	0,102	0,6	20
10-40553-13*	16S	26,60	1,047	1,58	0,062	1,30	0,051	1,93	0,076	0,15÷0,6	26÷20
10-40553-15*	16S	26,60	1,047	1,58	0,062	1,50	0,059	2,60	0,102	0,75-1,0	18
10-40553-20	16S	26,60	1,047	1,58	0,062	2,00	0,079	2,90	0,114	2	14
10-40553-26	16S	26,60	1,047	1,58	0,062	2,5	0,098	3,8	0,150	2,5-3,0	12
10-40557	16	31,75	1,250	1,58	0,062	1,70	0,067	2,60	0,102	1÷1,5	18÷16
10-40557L	16	33,25	1,309	1,58	0,062	1,70	0,067	2,60	0,102	1÷1,5	18÷16
10-40557-08*	16	31,75	1,250	1,58	0,062	0,85	0,033	1,55	0,061	0,15÷0,2	26÷24
10-40557-12*	16	31,75	1,250	1,58	0,062	1,20	0,047	2,60	0,102	0,6	20
10-40557-13*	16	31,75	1,250	1,58	0,062	1,30	0,051	1,93	0,076	0,15÷0,6	26÷20
10-40557-15*	16	31,75	1,250	1,58	0,062	1,50	0,059	2,60	0,102	0,75-1,0	18
10-40557-20**	16	31,75	1,250	1,58	0,062	2,00	0,079	2,90	0,114	2	14
10-40557-22**	16	31,75	1,250	1,57	0,062	2,2	0,087	3,8	0,150	2,5	/
10-40557-22L**	16	33,25	1,309	1,57	0,062	2,2	0,087	3,8	0,150	2,5	/
10-40557-26**	16	31,75	1,250	1,58	0,062	2,5	0,098	3,8	0,150	2,5-3,0	12
10-40557-32*	16	31,75	1,250	1,58	0,062	0,45	0,018	1,95	0,077	/	32÷28
10-40561	12	37,65	1,482	2,38	0,094	2,50	0,098	3,90	0,154	2,5-3,0	12
10-40561-12*	12	37,65	1,482	2,38	0,094	1,20	0,047	2,60	0,102	0,6	20
10-40561-15*	12	37,65	1,482	2,38	0,094	1,50	0,059	2,60	0,102	0,75-1,0	18
10-40561-177*	12	37,65	1,482	2,38	0,094	1,77	0,070	2,75	0,108	1,5	18-16
10-40561-20*	12	37,65	1,482	2,38	0,094	2,00	0,079	3,90	0,154	2	14
10-40561-22*	12	37,65	1,482	2,38	0,094	2,10	0,083	3,90	0,154	2,5	/
10-40561-30**	12	37,65	1,482	2,38	0,094	3,00	0,118	4,80	0,189	4-5	/
10-40561-30M**	12	37,65	1,482	2,38	0,094	3,30	0,130	4,20	0,165	4	/
10-40561-38**	12	37,65	1,482	2,38	0,094	3,60	0,142	6,8	0,268	6	10

Please consult our sales department for other contacts or crimp tooling details.

PLATING OPTIONS

G10 : Silver

(Standard)

G117 : Gold

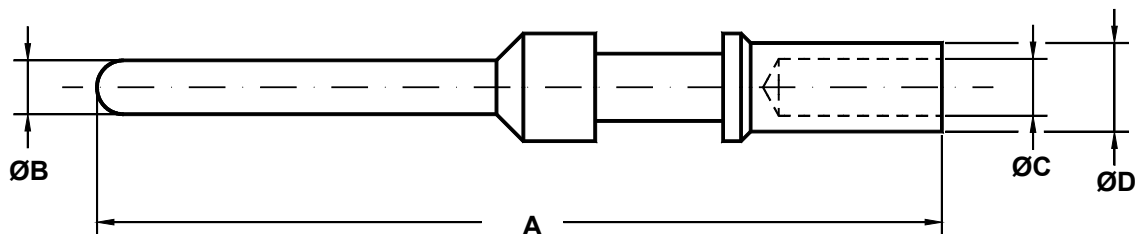
*These contacts accept smaller wire than standard ones. There may be a sealing problem with grommets. The max current rating is limited by the wire max current rating.

** These contacts accept larger wires than standard ones. The reduced air/creepage distance may worsen the service rating and there may be difficulties with grommets. The max current rating is limited by the contact max current rating. See page 4.

Please contact factory for solutions.

Contatti maschio a pinzare

Pin crimp contacts



Part number	Contact Size	A		ØB		ØC		ØD		Wire Size	
		mm	Inches	mm	Inches	mm	Inches	mm	Inches	mm ²	AWG
10-40792	8	42,00	1,654	3,60	0,142	4,50	0,177	6,90	0,272	9	8
10-40792-15*	8	42,00	1,654	3,60	0,142	1,50	0,059	3,40	0,134	0,75-1,0	18
10-40792-18*	8	42,00	1,654	3,60	0,142	1,80	0,071	3,80	0,150	1÷2	18÷14
10-40792-20*	8	42,00	1,654	3,60	0,142	2,00	0,079	3,80	0,150	2	14
10-40792-26*	8	42,00	1,654	3,60	0,142	2,5	0,098	3,8	0,150	2,5-3,0	12
10-40792-30*	8	42,00	1,654	3,60	0,142	3,00	0,118	4,80	0,189	4-5	/
10-40792-38*	8	42,00	1,654	3,60	0,142	3,60	0,142	6,80	0,268	6	10
10-40792-50**	8	42,00	1,654	3,60	0,142	5,00	0,197	6,90	0,272	10	/
10-40792-58**	8	42,00	1,654	9,05	0,356	5,80	0,228	7,80	0,307	13,2	6
10-113474-4P	4	42,00	1,654	5,70	0,224	7,10	0,280	9,53	0,375	22-25	4
10-113474-4P-22*	4	42,00	1,654	5,70	0,224	2,20	0,087	3,80	0,150	2,5	/
10-113474-4P-25	Replaced by 10-113474-4P										
10-113474-4P-26*	4	42,00	1,654	5,70	0,224	2,50	0,098	3,80	0,150	2,5-3,0	12
10-113474-4P-30*	4	42,00	1,654	5,70	0,224	3,00	0,118	4,80	0,189	4-5	/
10-113474-4P-38*	4	42,00	1,654	5,70	0,224	3,60	0,142	6,80	0,268	6	10
10-113474-4P-50*	4	42,00	1,654	5,70	0,224	5,00	0,197	7,00	0,276	10	/
10-113474-4P-58*	4	42,00	1,654	9,05	0,356	5,80	0,228	7,80	0,307	13,2	6
10-113474-4P-62*	4	42,00	1,654	5,70	0,224	6,20	0,244	9,53	0,375	16	/
10-113474-1P	0	45,00	1,772	9,05	0,356	11,50	0,453	14,30	0,563	50-60	0
10-113474-1P-107*	0	45,00	1,772	9,05	0,356	10,70	0,421	14,35	0,565	50	/
10-113474-1P-72*	0	45,00	1,772	9,05	0,356	7,15	0,281	9,50	0,374	22-25	4
10-113474-1P-35*	0	45,00	1,772	9,05	0,356	9,00	0,354	14,35	0,565	35	/
10-113474-1P-45*	0	45,00	1,772	9,05	0,356	4,55	0,179	6,80	0,268	9	8
10-113474-1P-50*	0	45,00	1,772	9,05	0,356	5,00	0,197	7,00	0,276	10	/
10-113474-1P-58*	0	45,00	1,772	9,05	0,356	5,80	0,228	7,80	0,307	13,2	6
10-113474-1P-62*	0	45,00	1,772	9,05	0,356	6,20	0,244	9,50	0,374	16	/
10-113474-0P*	4/0	63,00	2,480	12,69	0,500	16,5	0,650	20	0,787	107	4/0
10-113474-0P-78*	4/0	63,00	2,480	12,69	0,500	7,10	0,280	9,53	0,375	22-25	4
10-113474-0P-107*	4/0	63,00	2,480	12,69	0,500	10,7	0,421	14,35	0,565	50	/
10-113474-0P-144*	4/0	63,00	2,480	12,69	0,500	14,5	0,571	20	0,787	70	/

Please consult our sales department for other contacts or crimp tooling details.

PLATING OPTIONS

G10 : Silver

(Standard)

G117 : Gold

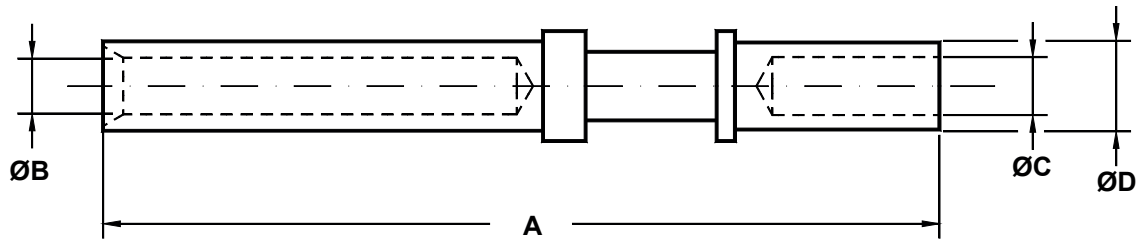
*These contacts accept smaller wire than standard ones. There may be a sealing problem with grommets. The max current rating is limited by the wire max current rating.

** These contacts accept larger wires than standard ones. The reduced air/creepage distance may worsen the service rating and there may be difficulties with grommets. The max current rating is limited by the contact max current rating. See page 4.

Please contact factory for solutions.

Contatti femmina a pinzare

Socket crimp contacts



Part number	Contact Size	A		ØB		ØC		ØD		Wire Size	
		mm	Inches	mm	Inches	mm	Inches	mm	Inches	mm ²	AWG
10-40520LC	20	36,5	1,437	1,08	0,043	1,3	0,051	1,93	0,076	0,15-0,6	26-20
10-40588	18	34,4	1,354	1,46	0,057	1,3	0,051	1,93	0,076	0,15-0,6	26-20
10-40552	16S	26,6	1,047	1,65	0,065	1,7	0,067	2,60	0,102	1-1,5	18-16
10-40552 TU	16S	26,6	1,047	1,65	0,065	1,7	0,067	2,60	0,102	1-1,5	18-16
10-40552-12*	16S	26,6	1,047	1,65	0,065	1,2	0,047	2,60	0,102	0,6	20
10-40552-13*	16S	26,6	1,047	1,65	0,065	1,3	0,051	1,93	0,076	0,15-0,6	26-20
10-40552-15*	16S	26,6	1,047	1,65	0,065	1,5	0,059	2,60	0,102	0,75-1	18
10-40552-20**	16S	26,6	1,047	1,65	0,065	2,0	0,079	2,90	0,114	2	14
10-40552-26**	16S	26,6	1,047	1,65	0,065	2,5	0,098	3,80	0,150	2,5-3,0	12
10-40556	16	36,5	1,437	1,65	0,065	1,7	0,067	2,60	0,102	1-1,5	18-16
10-40556 TU	16	36,5	1,437	1,65	0,065	1,7	0,067	2,60	0,102	1-1,5	18-16
10-40556-08*	16	36,5	1,437	1,65	0,065	0,85	0,033	1,55	0,061	0,15-0,2	26-24
10-40556-12*	16	36,5	1,437	1,65	0,065	1,2	0,047	2,60	0,102	0,6	20
10-40556-13*	16	36,5	1,437	1,65	0,065	1,3	0,051	1,93	0,076	0,15-0,6	26-20
10-40556-15*	16	36,5	1,437	1,65	0,065	1,45	0,057	2,60	0,102	0,75-1	18
10-40556-20**	16	36,5	1,437	1,65	0,065	2,0	0,079	2,90	0,114	2	14
10-40556-22**	16	36,5	1,437	1,65	0,065	2,2	0,087	3,8	0,150	2,5	/
10-40556-26**	16	36,5	1,437	1,65	0,065	2,5	0,098	3,80	0,150	2,5-3,0	12
10-40556-32*	16	36,5	1,437	1,65	0,065	0,45	0,018	1,95	0,077	/	32-28
10-40560	12	37,65	1,482	2,48	0,098	2,5	0,098	3,9	0,154	2,5-3,0	12
10-40560 TU	12	37,65	1,482	2,48	0,098	2,5	0,098	3,9	0,154	2,5-3,0	12
10-40560-12*	12	37,65	1,482	2,48	0,098	1,2	0,047	2,6	0,102	0,6	20
10-40560-15*	12	37,65	1,482	2,48	0,098	1,45	0,057	2,60	0,102	0,75-1	18
10-40560-177*	12	37,65	1,482	2,48	0,098	1,77	0,070	2,75	0,108	1,5	18-16
10-40560-20*	12	37,65	1,482	2,48	0,098	2,0	0,079	3,8	0,150	2	14
10-40560-22*	12	37,65	1,482	2,48	0,098	2,1	0,083	3,8	0,150	2,5	/
10-40560-30**	12	37,65	1,482	2,38	0,094	3,00	0,118	4,80	0,189	4-5	/
10-40560-30M**	12	37,65	1,482	2,38	0,094	3,30	0,130	4,20	0,165	4	/
10-40560-38**	12	37,65	1,482	2,38	0,094	3,60	0,142	4,80	0,189	6	10

Please consult our sales department for other contacts or crimp tooling details.

PLATING OPTIONS

G10 : Silver

(Standard)

G117 : Gold

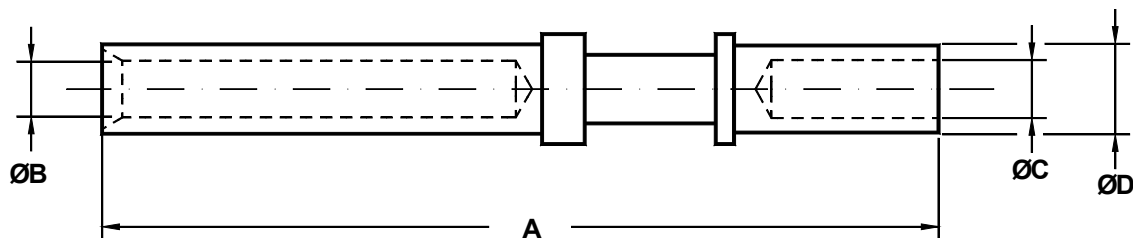
*These contacts accept smaller wire than standard ones. There may be a sealing problem with grommets. The max current rating is limited by the wire max current rating.

** These contacts accept larger wires than standard ones. The reduced air/creepage distance may worsen the service rating and there may be difficulties with grommets. The max current rating is limited by the contact max current rating. See page 4.

Please contact factory for solutions.

Contatti femmina a pinzare

Socket crimp contacts



Part number	Contact Size	A		ØB		ØC		ØD		Wire Size	
		mm	Inches	mm	Inches	mm	Inches	mm	Inches	mm ²	AWG
10-40793-1	8	40,5	1,594	3,70	0,146	4,5	0,177	6,75	0,266	9	8
10-40793-1-15*	8	40,5	1,594	3,70	0,146	1,45	0,057	3,4	0,134	0,75-1	18
10-40793-1-18*	8	40,5	1,594	3,70	0,146	1,8	0,071	3,8	0,150	1-2	18-14
10-40793-1-20*	8	40,5	1,594	3,60	0,142	2,00	0,079	3,80	0,150	2	14
10-40793-1-26*	8	40,5	1,594	3,70	0,146	2,5	0,098	3,8	0,150	2,5-3,0	12
10-40793-1-30*	8	40,5	1,594	3,70	0,146	3,0	0,118	4,8	0,189	4-5	/
10-40793-1-38*	8	40,5	1,594	3,70	0,146	3,6	0,142	6,8	0,268	6	10
10-40793-1-50**	8	40,5	1,594	3,70	0,146	5,0	0,197	6,9	0,272	10	/
10-10793-1-58**	8	40,5	1,594	3,70	0,146	5,8	0,228	7,8	0,307	13,2	6
10-113474-4S-1	4	41,0	1,614	5,80	0,228	7,1	0,280	9,53	0,375	22-25	4
10-113474-4S-1-22*	4	41,0	1,614	5,80	0,228	2,2	0,087	3,8	0,150	2,5	/
10-113474-4S-1-25	Replaced by 10-113474-4S-1										
10-113474-4S-1-26*	4	41,0	1,614	5,80	0,228	2,5	0,098	3,8	0,150	2,5-3,0	12
10-113474-4S-1-30*	4	41,0	1,614	5,80	0,228	3,0	0,118	4,8	0,189	4-5	/
10-113474-4S-1-38*	4	41,0	1,614	5,80	0,228	3,6	0,142	6,8	0,268	6	10
10-113474-4S-1-50*	4	41,0	1,614	5,80	0,228	5,0	0,197	7,0	0,276	10	/
10-113474-4S-1-58*	4	41,0	1,614	5,80	0,228	5,8	0,228	7,8	0,307	13,2	6
10-113474-4S-1-62*	4	41,0	1,614	5,80	0,228	6,2	0,244	9,5	0,374	16	/
10-113474-1S	0	44,6	1,756	9,17	0,361	11,5	0,453	14,3	0,563	50-60	0
10-113474-1S-107*	0	44,6	1,756	9,17	0,361	10,7	0,421	14,35	0,565	50	/
10-113474-1S-72*	0	44,6	1,756	9,17	0,361	7,15	0,281	9,5	0,374	22-25	4
10-113474-1S-35*	0	44,6	1,756	9,17	0,361	9,0	0,354	14,35	0,565	35	/
10-113474-1S-45*	0	44,6	1,756	9,17	0,361	4,55	0,179	6,8	0,268	9	8
10-113474-1S-50*	0	44,6	1,756	9,17	0,361	5,0	0,197	7,0	0,276	10	/
10-113474-1S-58*	0	44,6	1,756	9,17	0,361	5,8	0,228	7,8	0,307	13,2	6
10-113474-1S-62*	0	45,3	1,783	9,17	0,361	6,2	0,244	9,5	0,374	16	/
10-113474-0S	4/0	65,9	2,594	12,7	0,500	16,5	0,650	20	0,787	107	4/0
10-113474-0S-78*	4/0	65,9	2,594	12,7	0,500	7,15	0,281	9,5	0,374	22-25	4
10-113474-0S-107*	4/0	65,9	2,594	12,7	0,500	10,7	0,421	14,35	0,565	50	/
10-113474-0S-144*	4/0	65,9	2,594	12,7	0,500	14,5	0,571	20	0,787	70	/

Please consult our sales department for other contacts or crimp tooling details.

PLATING OPTIONS

G10 : Silver

(Standard)

G117 : Gold

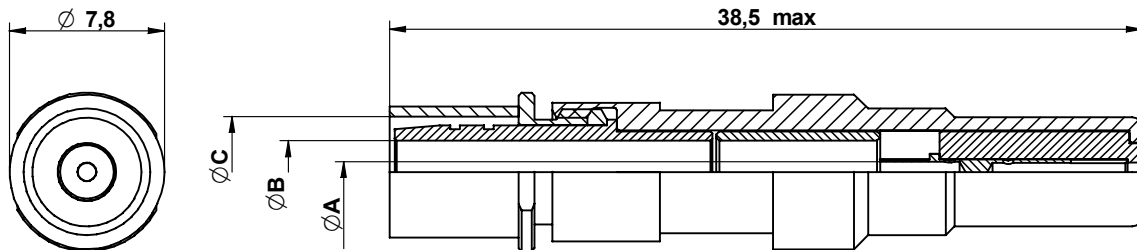
*These contacts accept smaller wire than standard ones. There may be a sealing problem with grommets. The max current rating is limited by the wire max current rating.

** These contacts accept larger wires than standard ones. The reduced air/creepage distance may worsen the service rating and there may be difficulties with grommets. The max current rating is limited by the contact max current rating. See page 4.

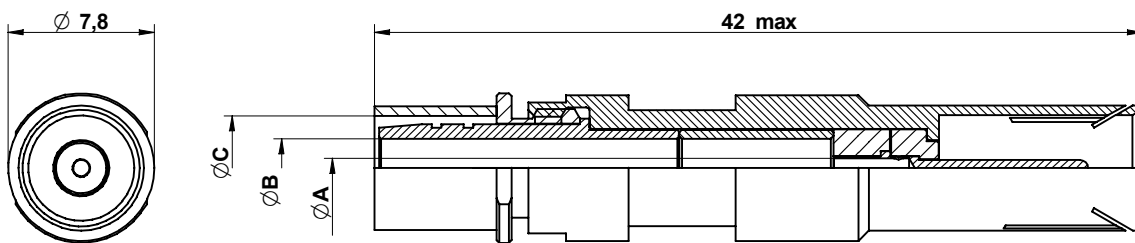
Please contact factory for solutions.

Contatti coassiali taglia 8 Coaxial contacts size 8

CONTATTO COASSIALE MASCHIO COAXIAL PIN CONTACT



CONTATTO COASSIALE FEMMINA COAXIAL SOCKET CONTACT



Codice maschio Pin P/N	Codice femmina Socket P/N	Usato con cavo Used with cable	$\varnothing A$	$\varnothing B$	$\varnothing C$
CC 70038	CC 70040	RG 58	1,05	3,15	5,23
CC 70046	CC 70042	RG 59	0,75	3,90	5,60
CC 70054	CC 70052	RG 179	0,55	1,70	3,10
CC 70056	CC 70058	RG 174	0,75	1,70	3,10
CC 70060	CC 70062	RG 142	1,05	3,15	5,60
CC 70064	CC 70066	RG 223	1,05	3,15	5,90

Disposizione contatti

Contact arrangement

Vista anteriore inserto maschio

Front view of male insert

1 CONTACT

Arrangement
Contact Size
Service rating



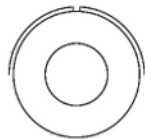
16-2
12
E



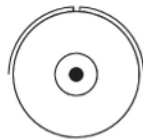
16-12
4
A



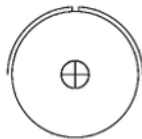
12-5
12
A



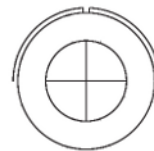
18-6
4
D



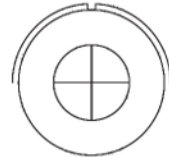
18-7
8
B



18-16
12
C

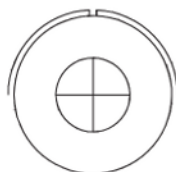


20-2
0
D

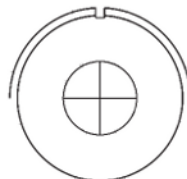


22-7
0
E

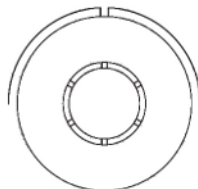
Arrangement
Contact Size
Service rating



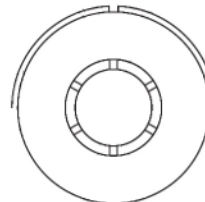
24-A1
0
B



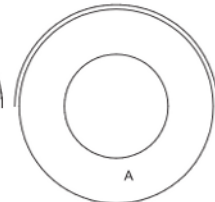
28-B1
0
B



32-A1
AWG 4/0
A



36-01
AWG 4/0
C



36-B90
Special
D

Arrangement
Contact Size
Service rating

2 CONTACTS

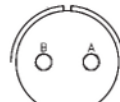
Arrangement
Contact Size
Service rating



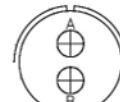
10SL-4
16S
A



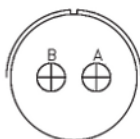
14S-9
16S
A



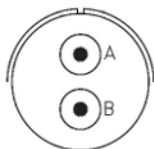
16S-4
16S
D



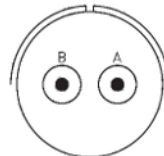
16-11
12
A



18-3
12
D



20-23
8
A



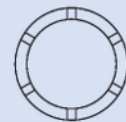
22-1
8
D



12S-3
16
A

Arrangement
Contact Size
Service rating

CONTACT LEGEND



20 18 16 12 8 4 0 4/0

Disposizione contatti

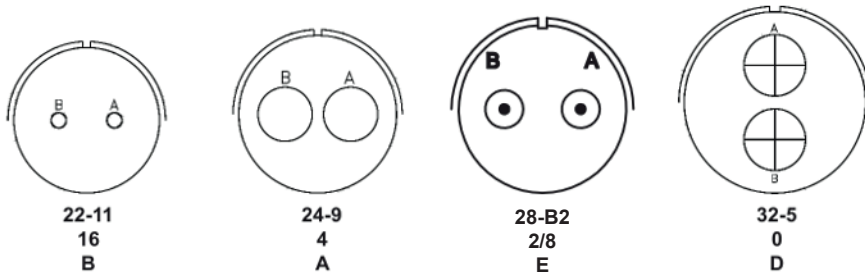
Contact arrangement

Vista anteriore inserto maschio

Front view of male insert

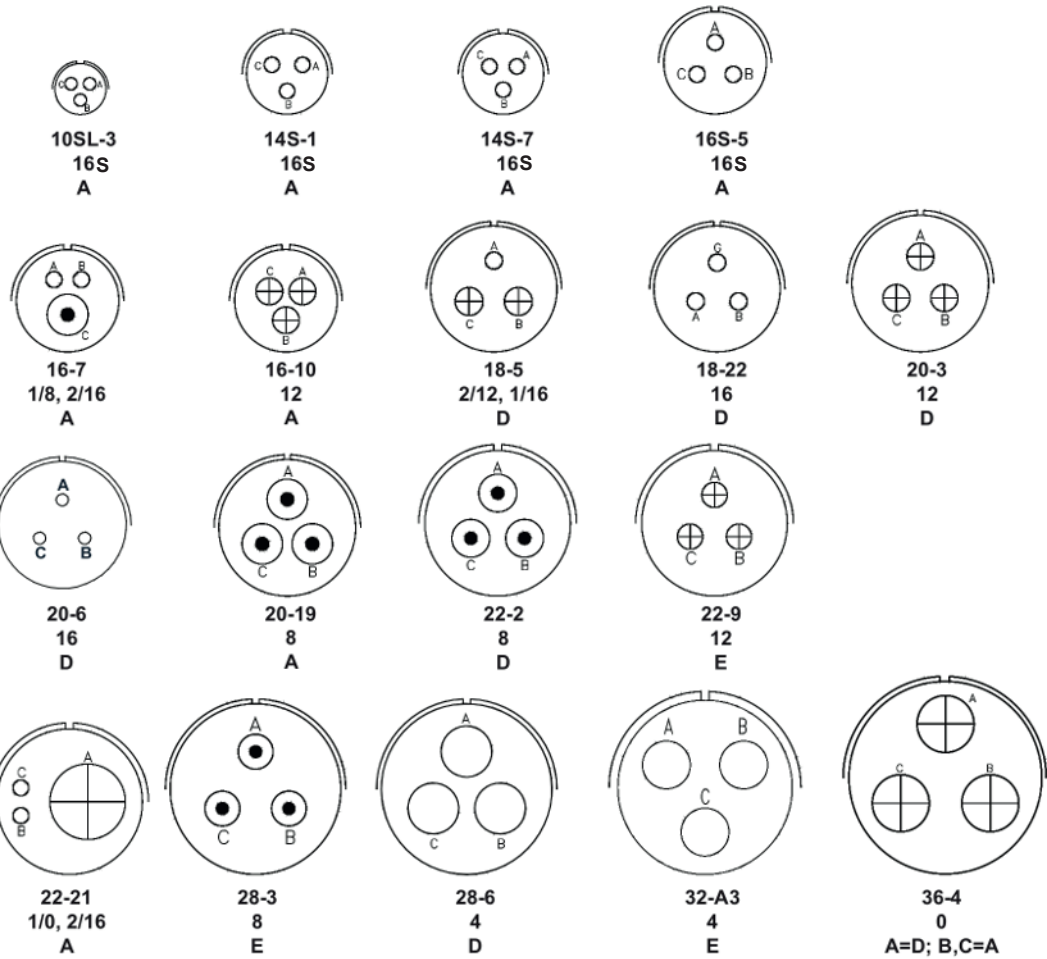
2 CONTACTS

Arrangement
Contact Size
Service rating

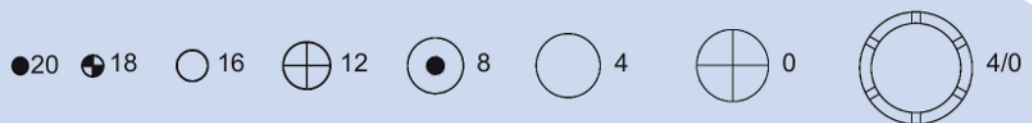


3 CONTACTS

Arrangement
Contact Size
Service rating



CONTACT LEGEND



Disposizione contatti

Contact arrangement

Vista anteriore inserto maschio

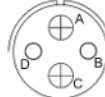
Front view of male insert

4 CONTACTS

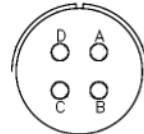
Arrangement
Contact Size
Service rating



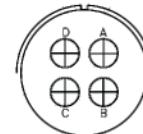
14S-2
16S
I



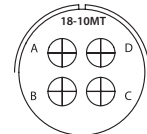
16-9
2/12, 2/16
A



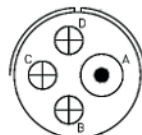
18-4
16
D



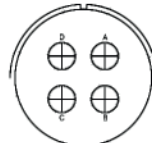
18-10
12
A



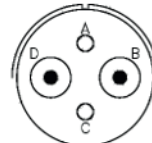
18-10S MT**
4/12
A



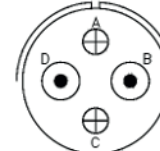
18-13
1/8, 3/12
A



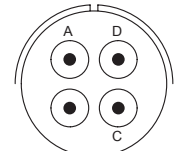
20-4
12
D



20-24
2/8, 2/16
A

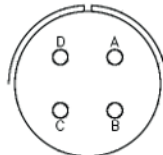


22-4
2/8, 2/12
A

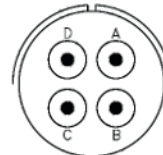


22-22SMT**
4/8
A

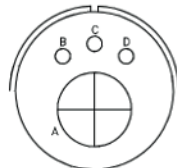
Arrangement
Contact Size
Service rating



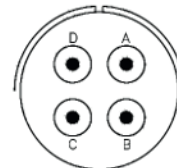
22-10
16
E



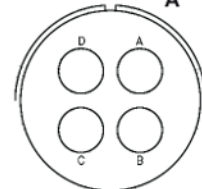
22-22
8
A



24-4
1/0, 3/16
D

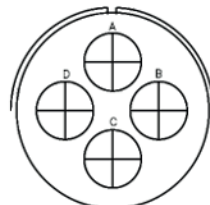


24-22
8
D

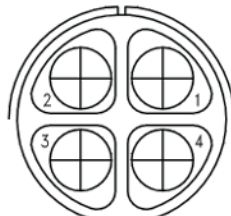


32-17
4
D

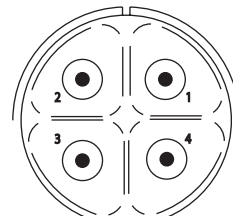
Arrangement
Contact Size
Service rating



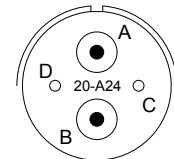
36-5
0
A



40-B4
0
E



40-D4
4
C



20-A24*
2/8, 2/16
A

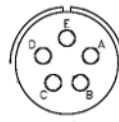
Arrangement
Contact Size
Service rating

5 CONTACTS

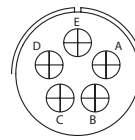
Arrangement
Contact Size
Service rating



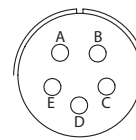
14-S5
16S
A



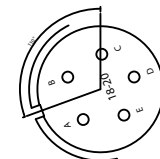
16-S8
16S
A



18-11
12
A

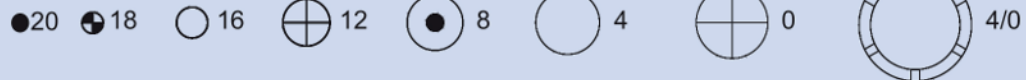


18-20
16
A



18-30(18-20x110°)
16
A

CONTACT LEGEND



*Only Crimp Contact Version **Contact "D": First-Mate-Last-Break Grounding Contact

Disposizione contatti

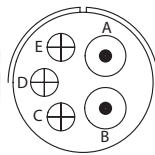
Contact arrangement

Vista anteriore inserto maschio

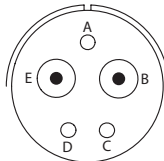
Front view of male insert

5 CONTACTS

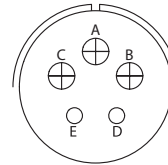
Arrangement
Contact Size
Service rating



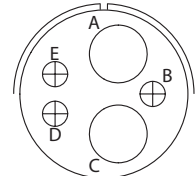
20-14
2/8, 3/12
A



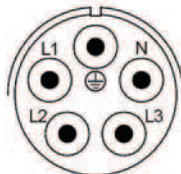
22-12
2/8, 3/16
D



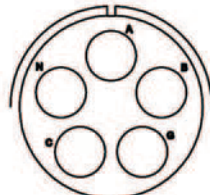
22-34
3/12, 2/16
D



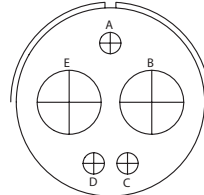
24-12
2/4, 3/12
A



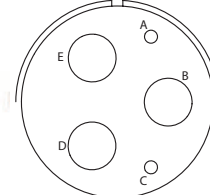
24-G5
5/8
A



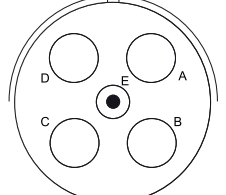
32A-5 GM
4
A



32-1
2/0, 3/12
A = E; B, C, D, E = D

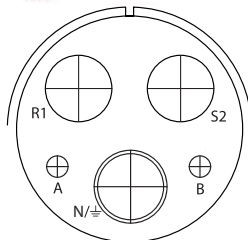


32-2
3/4, 2/16
E

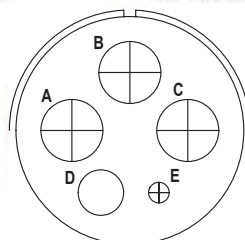


32-79
4/4, 1/8
D

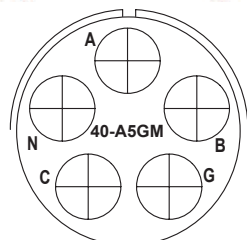
Arrangement
Contact Size
Service rating



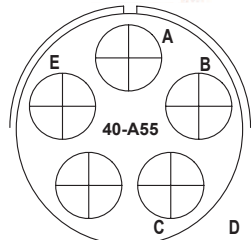
40-A3
1/0M, 2/0, 2/12
A



40-A5
3/0, 1/4, 1/12
A



40-A5 GM
5/0
A



40-A55
5/0
A

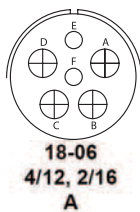
Arrangement
Contact Size
Service rating

6 CONTACTS

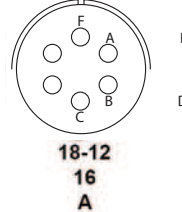
Arrangement
Contact Size
Service rating



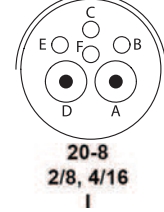
14S-6
16S
I



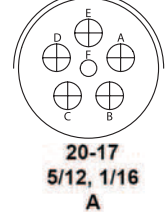
18-06
4/12, 2/16
A



18-12
16
A

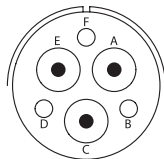


20-8
2/8, 4/16
I

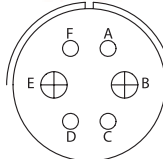


20-17
5/12, 1/16
A

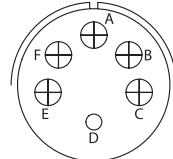
Arrangement
Contact Size
Service rating



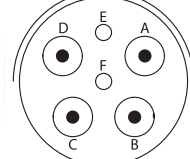
20-22
3/8, 3/16
A



22-5
2/12, 4/16
D

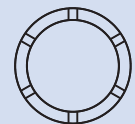
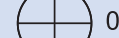
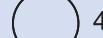


22-15
5/12, 1/16
D-E; A, B, C, E, F = A



24-06
4/8, 2/16
D

CONTACT LEGEND



4/0

Disposizione contatti

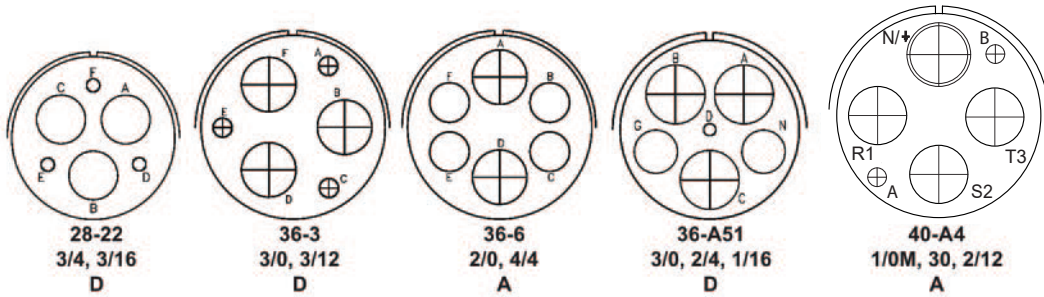
Contact arrangement

Vista anteriore inserto maschio

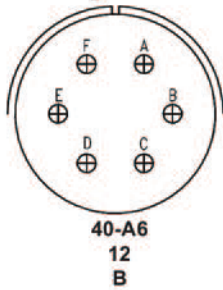
Front view of male insert

6 CONTACTS

Arrangement
Contact Size
Service rating

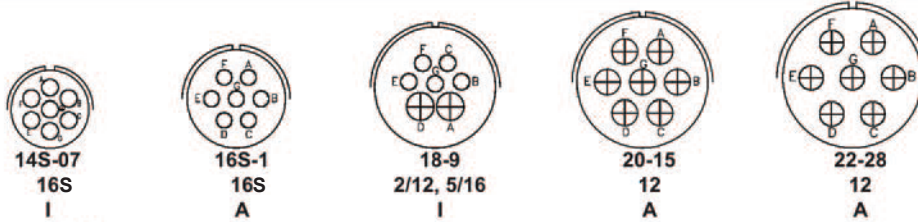


Arrangement
Contact Size
Service rating

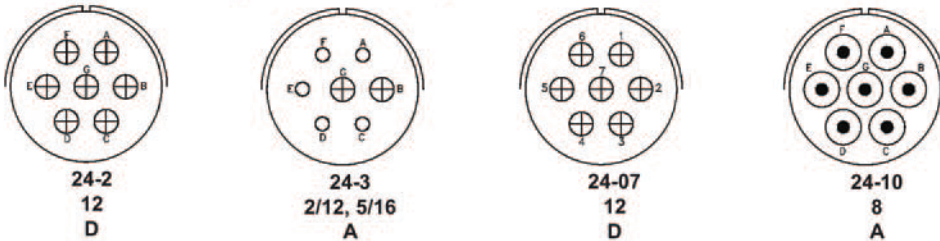


7 CONTACTS

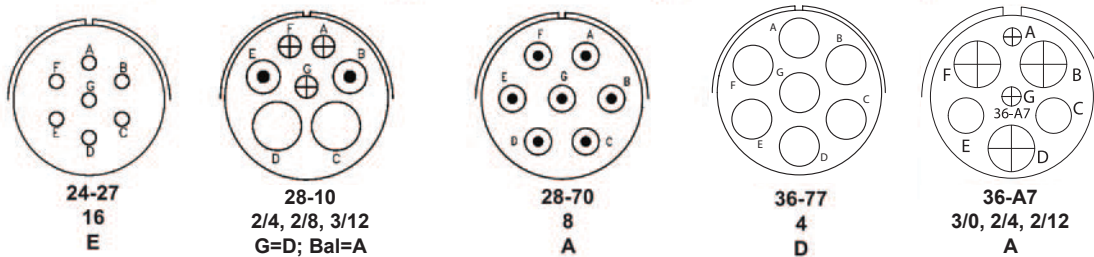
Arrangement
Contact Size
Service rating



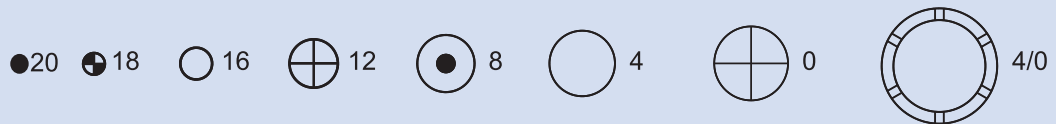
Arrangement
Contact Size
Service rating



Arrangement
Contact Size
Service rating



CONTACT LEGEND



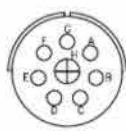
Disposizione contatti

Contact arrangement

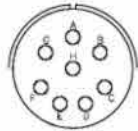
Vista anteriore inserto maschio
Front view of male insert

8 CONTACTS

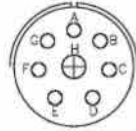
Arrangement
Contact Size
Service rating



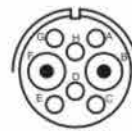
18-8
1/12, 7/16
A



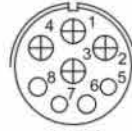
20-7
16
A,B,H,G=D; C,D,E, F=A



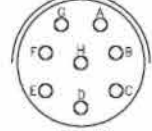
20-9
1/12, 7/16
H=D; Bal=A



20-A8
2/8, 6/16
I

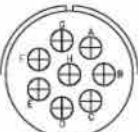


20-B8
4/12, 4/16
A

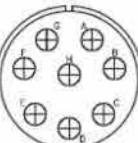


22-18
16
A,B,F,G,H=D; C,D,E=A

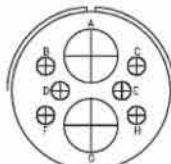
Arrangement
Contact Size
Service rating



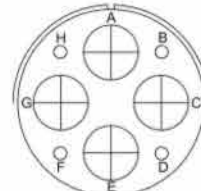
22-23
12
H=D; Bal=A



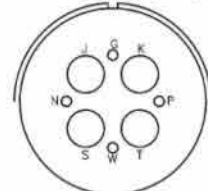
24-6
12
A,G,H=D; Bal=A



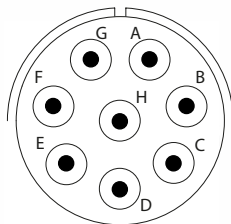
32-15
2/0, 6/12
D



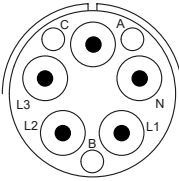
40-A8
4/0, 4/16
E



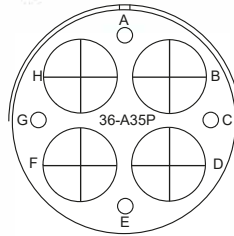
40-A10
4/4, 4/16
D



32-A8
8/8
A



24-A8
3/16, 5/8
A



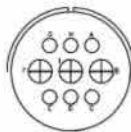
36-A35
4/16, 4/0
A

9 CONTACTS

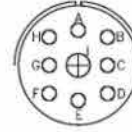
Arrangement
Contact Size
Service rating



20-16
2/12, 7/16
A



20-18
3/12, 6/16
A

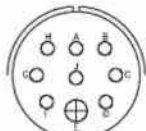


20-21
1/12, 8/16
A

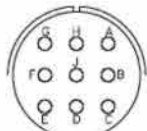


20-A9
12
J=D; Bal-I

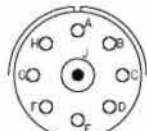
Arrangement
Contact Size
Service rating



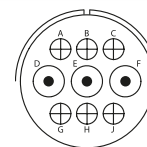
22-17
1/12, 8/16
A=D; Bal=A



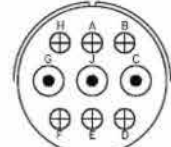
22-20
16
A



22-27
1/8, 8/16
J=D; Bal=A



24-11
3/8, 6/12
A



28-1
3/8, 6/12
A,J,E=D; Bal=A

CONTACT LEGEND



Disposizione contatti

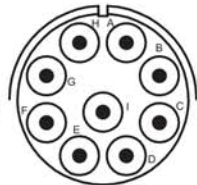
Contact arrangement

Vista anteriore inserto maschio

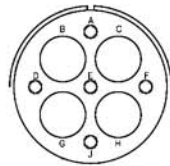
Front view of male insert

9 CONTACTS

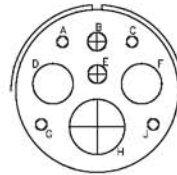
Arrangement
Contact Size
Service rating



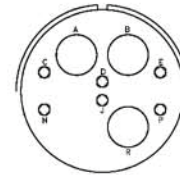
28-84
8
A



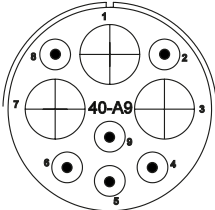
28-09
4/4, 5/16
A



32-3
1/0, 2/4, 2/12, 4/16
D



32-689
3/4, 6/16
A

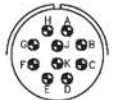


Arrangement
Contact Size
Service rating

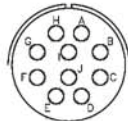
40-A9
6/8, 3/0
A

10 CONTACTS

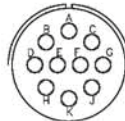
Arrangement
Contact Size
Service rating



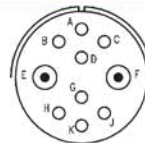
16-A10
18
I



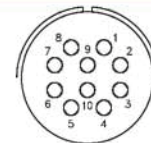
18-1
16
B,C,F,G=A; Bal=I



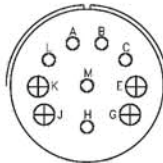
18-19
16
A



22-82
8/16, 2/8
A

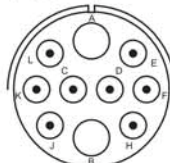


22-A10
16
A



Arrangement
Contact Size
Service rating

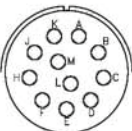
28-19
4/12, 6/16
A,B=D; K,M=B; Bal=A



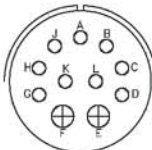
36-A10
2/4, 8/8
A

11 CONTACTS

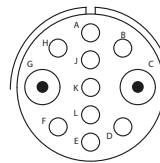
Arrangement
Contact Size
Service rating



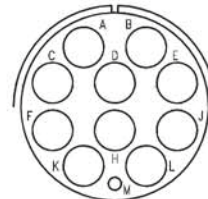
20-33
16
A



24-20
2/12, 9/16
D



24-A11
2/8, 9/16
A



40-67
10/4, 1/16
A

CONTACT LEGEND



20



18



16

12



8



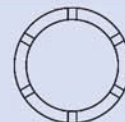
4



0



4/0



4/0

Disposizione contatti

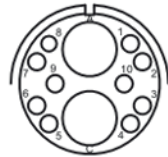
Contact arrangement

Vista anteriore inserto maschio

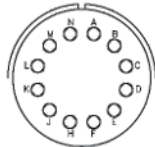
Front view of male insert

12 CONTACTS

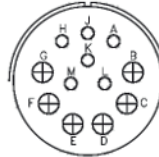
Arrangement
Contact Size
Service rating



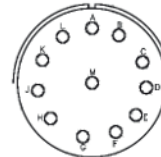
24-A12
2/4, 10/16
A



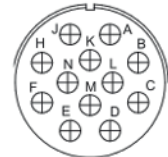
24-19
16
A



28-9
6/12, 6/16
D



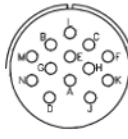
28-18
16
A,B=A; G,H,J,K,L=D; M=C;
Bal=I



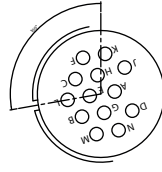
28-51
12
D

13 CONTACTS

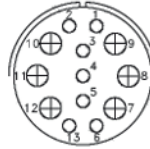
Arrangement
Contact Size
Service rating



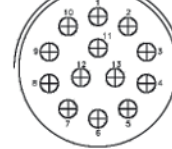
20-11
16
I



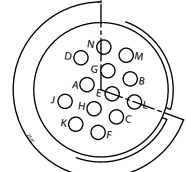
20-25(20-11x100°)
16
I



24-013
6/12, 7/16
A



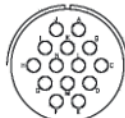
32-013
12
D



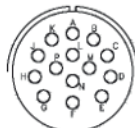
20-30(20-11x250°)
16
I

14 CONTACTS

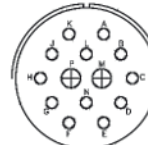
Arrangement
Contact Size
Service rating



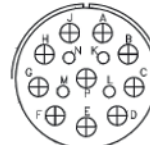
20-27
16
A



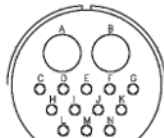
22-19
16
A



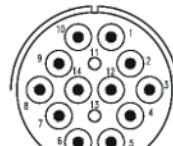
28-2
2/12, 12/16
D



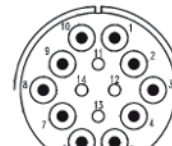
28-20
10/12, 4/16
A



32-9
2/4, 12/16
A



36-B78
12/8, 2/16
D



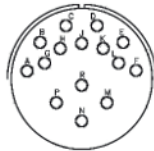
36-D78
10/8, 4/16
D



40-A14
6/12, 8/4
A

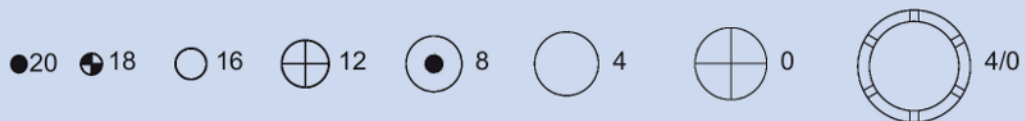
15 CONTACTS

Arrangement
Contact Size
Service rating



28-17
16
M,N,P=D; R=B; Bal=A

CONTACT LEGEND



Disposizione contatti

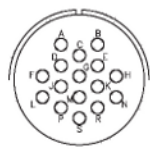
Contact arrangement

Vista anteriore inserto maschio

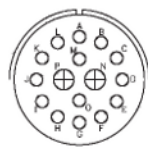
Front view of male insert

16 CONTACTS

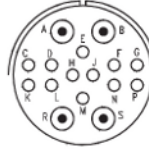
Arrangement
Contact Size
Service rating



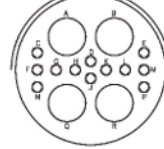
24-5
16
A



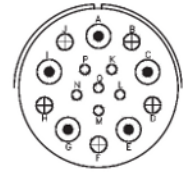
24-7
2/12, 14/16
A



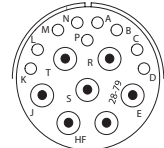
28-124
12/16, 4/8
A



32-68
4/4, 12/16
A



36-14
5/8, 5/12, 6/16
D

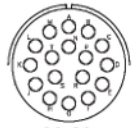


28-79
7/8, 9/16
A

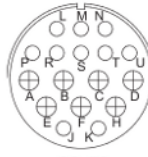
Arrangement
Contact Size
Service rating

17 CONTACTS

Arrangement
Contact Size
Service rating



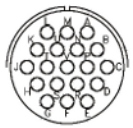
20-29
16
A



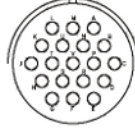
28-59
7/12, 10/16
A

19 CONTACTS

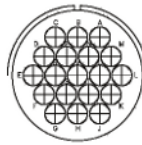
Arrangement
Contact Size
Service rating



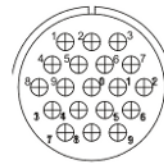
20-A48
16
I



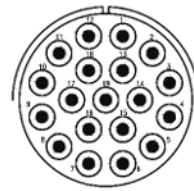
22-14
16
A



24-67
12
A



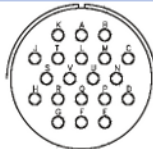
32-76
12
A



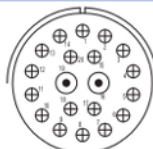
40-B19
8
A

20 CONTACTS

Arrangement
Contact Size
Service rating



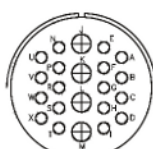
28-16
16
A



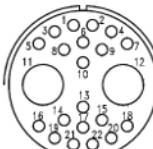
40-A20
2/8, 18/12
D

22 CONTACTS

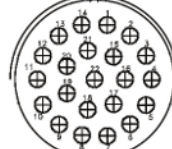
Arrangement
Contact Size
Service rating



28-11
4/12, 18/16
A

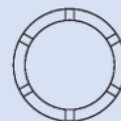


32-B22
2/4, 20/16
A



36-22
12
D

CONTACT LEGEND



4/0

Disposizione contatti

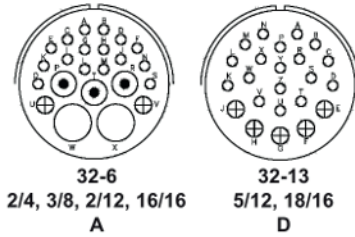
Contact arrangement

Vista anteriore inserto maschio

Front view of male insert

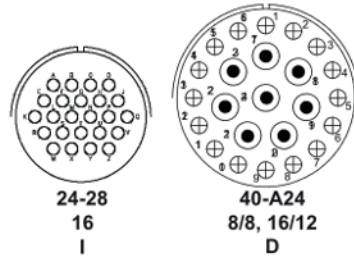
23 CONTACTS

Arrangement
Contact Size
Service rating



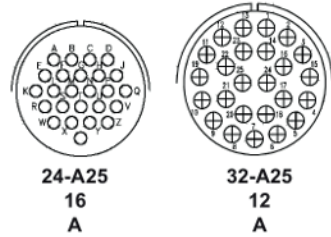
24 CONTACTS

Arrangement
Contact Size
Service rating



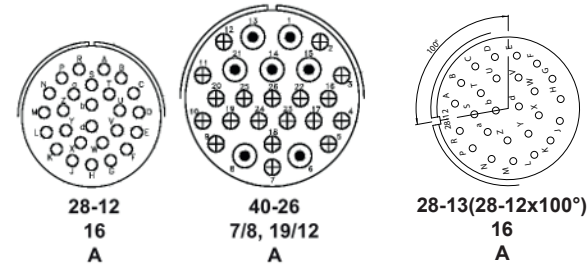
25 CONTACTS

Arrangement
Contact Size
Service rating



26 CONTACTS

Arrangement
Contact Size
Service rating

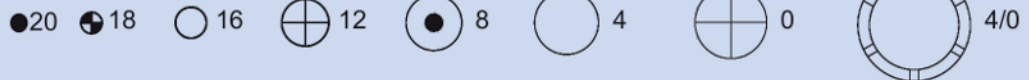


27 CONTACTS

Arrangement
Contact Size
Service rating



CONTACT LEGEND



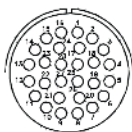
Disposizione contatti

Contact arrangement

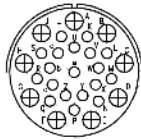
Vista anteriore inserto maschio

Front view of male insert

28 CONTACTS



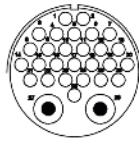
24-A28
16
I



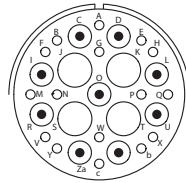
28-A63
9/12, 19/16
I

Arrangement
Contact Size
Service rating

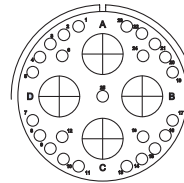
29 CONTACTS



28-A29
2/8, 27/16
A



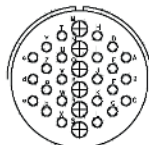
40-10
4/4, 9/8, 16/16
A



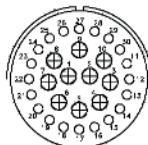
40-B25
25/16, 4/0
A

Arrangement
Contact Size
Service rating

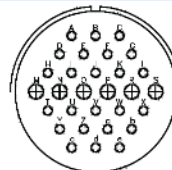
30 CONTACTS



32-8
6/12, 24/16
A



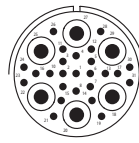
32-A30
10/12, 20/16
A



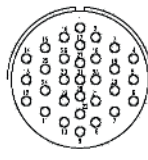
40-1
6/12, 24/16
D

Arrangement
Contact Size
Service rating

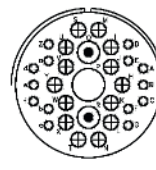
31 CONTACTS



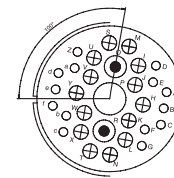
28-A31
6/8, 25/20
A



32-31
16
A

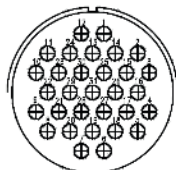


36-9
1/4, 2/8, 14/12, 14/16
A

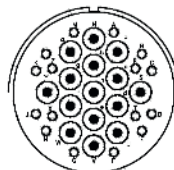


36-18(36-9x100°)
1/4, 2/8, 14/12, 14/16
A

Arrangement
Contact Size
Service rating



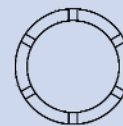
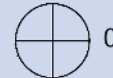
40-31
31/12
D



40-A51
15/8, 16/16
A

Arrangement
Contact Size
Service rating

CONTACT LEGEND

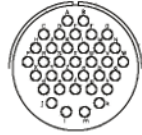


4/0

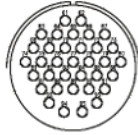
Disposizione contatti
Contact arrangement
 Vista anteriore inserto maschio
 Front view of male insert

35 CONTACTS

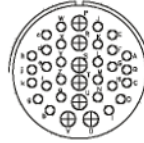
Arrangement
 Contact Size
 Service rating



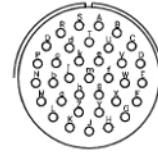
28-15
 16
 A



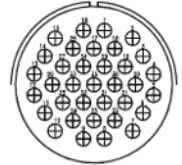
28-A35
 16
 A



32-7
 7/12, 28/16
 A,B,h,j,l; Bal=A



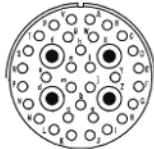
36-15
 16
 M=D; Bal=A



40-35
 12
 D

36 CONTACTS

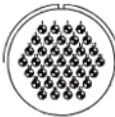
Arrangement
 Contact Size
 Service rating



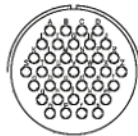
36-35
 4/8, 32/16
 A

37 CONTACTS

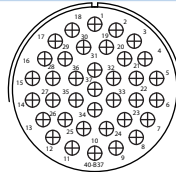
Arrangement
 Contact Size
 Service rating



22-A37
 18
 A



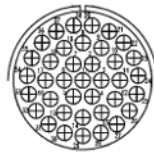
28-21
 16
 A



40-B37
 12
 A

38 CONTACTS

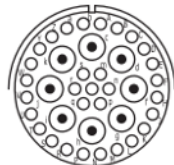
Arrangement
 Contact Size
 Service rating



40-A38
 12
 A

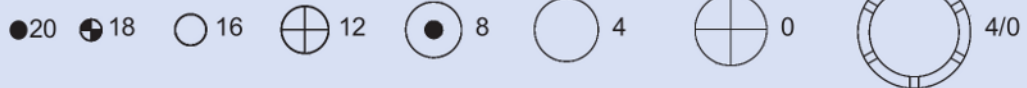
39 CONTACTS

Arrangement
 Contact Size
 Service rating



36-54
 8/8, 31/16
 A

**CONTACT
 LEGEND**



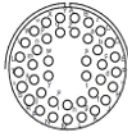
Disposizione contatti

Contact arrangement

Vista anteriore inserto maschio

Front view of male insert

40 CONTACTS



Arrangement
Contact Size
Service rating

32-A40
40/16
A

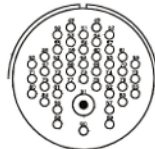
42 CONTACTS



Arrangement
Contact Size
Service rating

32-59
2/8, 40/16
A

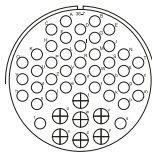
44 CONTACTS



Arrangement
Contact Size
Service rating

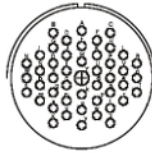
36-74
1/8, 43/16
A

47 CONTACTS

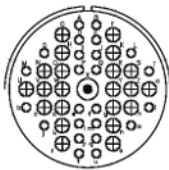


Arrangement
Contact Size
Service rating

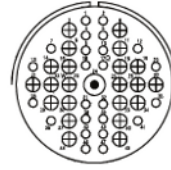
36-7
7/12, 40/16
A



36-8
1/12, 46/16
A

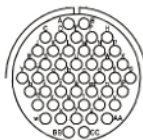


40-9
1/8, 22/12, 24/16
A



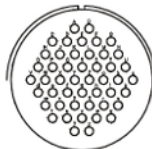
40-47
1/8, 22/12, 24/16
A

48 CONTACTS



Arrangement
Contact Size
Service rating

32-A48
16
I



36-10
16
A

CONTACT LEGEND



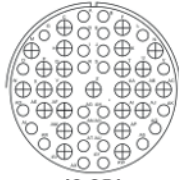
Disposizione contatti

Contact arrangement

Vista anteriore inserto maschio

Front view of male insert

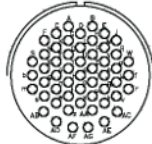
51 CONTACTS



Arrangement
Contact Size
Service rating

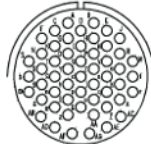
40-951
25/12, 26/16
A

54 CONTACTS



Arrangement
Contact Size
Service rating

32-22
16
A



32-88
16
A

55 CONTACTS



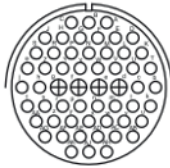
Arrangement
Contact Size
Service rating

24-A55 *
20
I



32-A55
16
A

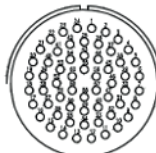
56 CONTACTS



Arrangement
Contact Size
Service rating

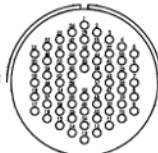
36-66
4/12, 52/16
A

60 CONTACTS



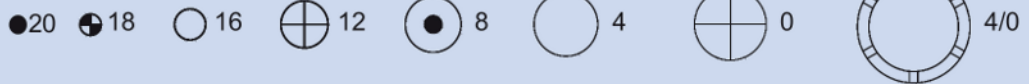
Arrangement
Contact Size
Service rating

40-53
16
A



40-62
16
A

CONTACT LEGEND



* Only Crimp Contact Version

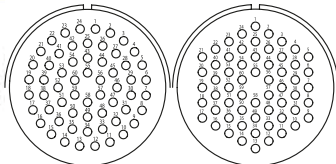
Disposizione contatti

Contact arrangement

Vista anteriore inserto maschio

Front view of male insert†

60 CONTACTS

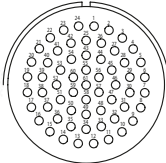


Arrangement
Contact Size
Service rating

40-53
16
A

40-62
16
A

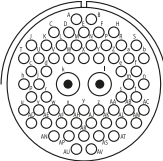
61 CONTACTS



Arrangement
Contact Size
Service rating

40-63
16
A

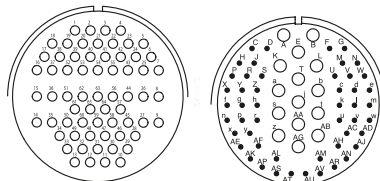
62 CONTACTS



Arrangement
Contact Size
Service rating

40-A62
2/8, 60/16
A

65 CONTACTS

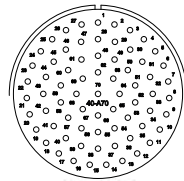


Arrangement
Contact Size
Service rating

40-A65
16
A

36-A99 *
15/16, 50/20
A

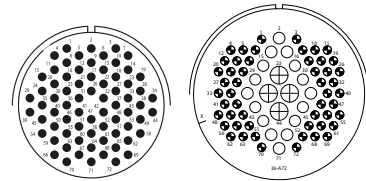
70 CONTACTS



Arrangement
Contact Size
Service Rating

40-A70
16
A

72 CONTACTS

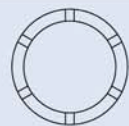


Arrangement
Contact Size
Service Rating

28-72 *
20
I

36-A72
4/12, 16/16, 52/18
I

CONTACT LEGEND

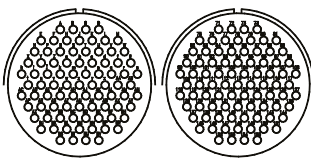


4/0

* Only Crimp Contact Version

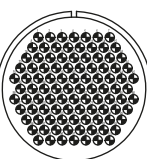
Disposizione contatti
Contact arrangement
 Vista anteriore inserto maschio
 Front view of male insert

85 CONTACTS




Arrangement	40-56	40-A56
Contact Size	16	16
Service rating	A	A

100 CONTACTS



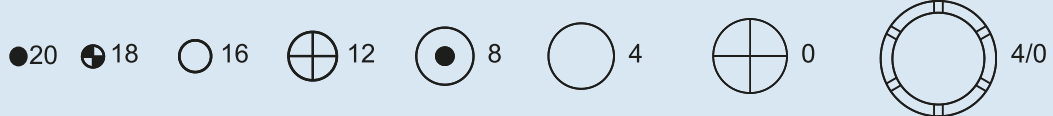
Arrangement	40-100
Contact Size	100/18
Service rating	A

150 CONTACTS



Arrangement	40-150
Contact Size	18
Service rating	I

CONTACT LEGEND



Disposizione contatti

Contact arrangement

Arrangement	Rating	Contact Number	Contact Size									
			4/0	0	4	8	12	16	16S	18	20	
10SL-3	A	3								3		
10SL-4	A	2								2		
12-5	A	1						1				
12S-3	A	2								2		
14S-1	A	3								3		
14S-2	I	4								4		
14S-5	I	5								5		
14S-6	I	6								6		
14S-7	A	3								3		
14S-9	A	2								2		
14S-07	I	7								7		
16S-1	A	7								7		
16S-4	D	2								2		
16S-5	A	3								3		
16S-8	A	5								5		
16-2	E	1						1				
16-7	A	3					1			2		
16-9	A	4						2		2		
16-10	A	3						3				
16-11	A	2						2				
16-12	A	1				1						
16-A10	I	10									10	
18-1	I	10								10		
18-3	D	2						2				
18-4	D	4								4		
18-5	D	3						2		1		
18-6	D	1				1						
18-06	A	6						4		2		
18-7	B	1					1					
18-8	A	8						1		7		
18-9	I	7						2		5		
18-10	A	4						4				
18-10S MT	A	4						4				
18-11	A	5						5				
18-12	A	6								6		
18-13	A	4					1	3				
18-16	C	1						1				
18-19	A	10								10		
18-20	A	5								5		
18-22	D	3								3		
18-30 (18-20x110°)	A	5								5		
20-2	D	1				1						
20-3	D	3						3				
20-4	D	4						4				
20-6	D	3								3		
20-7	A	8								8		
20-8	I	6					2			4		
20-9	A	8						1		7		
20-11	I	13								13		
20-14	A	5					2	3				
20-15	A	7						7				
20-16	A	9						2		7		
20-17	A	6						5		1		
20-18	A	9						3		6		
20-19	A	3					3					
20-21	A	9						1		8		
20-22	A	6					3			3		
20-23	A	2						2				
20-24	A	4						2		2		
20-A24	A	4						2				
20-25 (20-11x100°)	I	13								13		
20-27	A	14								14		

Arrangement	Rating	Contact Number	Contact Size									
			4/0	0	4	8	12	16	18	20		
20-29	A	17									17	
20-30 (20-11x250°)	I	13									13	
20-33	A	11									11	
20-A8	I	8							2		6	
20-A9	A	9								9		
20-A48	I	19									19	
20-B8	A	8								4	4	
22-1	D	2							2			
22-2	D	3							3			
22-4	A	4							2	2		
22-5	D	6								2	4	
22-7	E	1					1					
22-9	E	3								3		
22-10	E	4									4	
22-11	B	2									2	
22-12	D	5							2		3	
22-14	A	19									19	
22-15*	A	6								5	1	
22-17	A	9								1	8	
22-18	A	8									8	
22-19	A	14									14	
22-20	A	9									9	
22-21	A	3							1		2	
22-22	A	4								4		
22-23	A	8									8	
22-27	A	9							1		8	
22-28	A	7								7		
22-34	D	5								3	2	
22-82	A	10								2	8	
22-A10	A	10									10	
22-A37	A	37										37
22-225 MT	A									4		
24-2	D	7								7		
24-3	A	7								2	5	
24-4	D	4							1		3	
24-5	A	16									16	
24-06	D	6								4	2	
24-6	A	8									8	
24-07	D	7								7		
24-7	A	16								2	14	
24-9	A	2								2		
24-10	A	7								7		
24-11	A	9								3	6	
24-12	A	5							2		3	
24-013	A	13									6	7
24-19	A	12									12	
24-20	D	11								2	9	
24-22	D	4								4		
24-27	E	7									7	
24-28	I	24									24	
24-67*	A	19									19	
24-A1	B	1							1			
24-A8	A	8								5	3	
24-A11	A	11								2	9	
24-A12	A	12							2		10	
24-A25	A	25									25	
24-A28	I	28									28	
24-A55*	I	55										55
24-G5	A	5								5		
28-1	A	9								3	6	
28-2	D	14									2	12
28-3	E	3								3		

* Only Crimp Contact Version

© 2013 Glenair, Inc.

U.S. CAGE Code 06324

Printed in U.S.A.

GLENAIR, INC. • 1211 AIR WAY • GLENDALE, CA 91201-2497 • 818-247-6000 • FAX 818-500-9912
www.glenair.com

Disposizione contatti Contact arrangement

Arrangement	Rating	Contact Number	Contact Size							
			4/0	0	4	8	12	16	18	20
28-6	D	3			3					
28-09	A	9			4			5		
28-9	D	12					6	6		
28-10	A	7			2	2	3			
28-11	A	22					4	18		
28-12	A	26						26		
28-13 (28-12x100*)	A	26						26		
28-15	A	35						35		
28-16	A	20						20		
28-17	A	15						15		
28-18	I	12						12		
28-19	A	10					4	6		
28-20	A	14					10	4		
28-21	A	37						37		
28-22	D	6			3			3		
28-51	D	12					12			
28-59	A	17					7	10		
28-70	A	7				7				
28-72**	I	72								72
28-79	A	16				7		9		
28-84	A	9				9				
28-124	A	16				4		12		
28-A29	A	29				2		27		
28-A31	A	31				6			25	
28-A35	A	35						35		
28-A63	I	28					9	19		
28-B1	B	1		1						
28-B2	E	2				2				
32-1	D	5		2			3			
32-2	E	5			3			2		
32-3	D	9		1	2		2	4		
32-5	D	2		2						
32-6	A	23			2	3	2	16		
32-7	I	35					7	28		
32-8	A	30					6	24		
32-9	D	14			2			12		
32-013	D	13					13			
32-13	D	23					5	18		
32-15	D	8		2			6			
32-17	D	4			4					
32-22	A	54						54		
32-31	A	31						31		
32-59	A	42				2		40		
32-68	A	16			4			12		
32-689	A	9			3			6		
32-A5 GM	A	5			5					
32-76	A	19					19			
32-79	D	5			4	1				
32-88	A	54						54		
32-A1	A	1	1							
32-A3	E	3			3					
32-A8	A	8				8				
32-A25	A	25					25			
32-A27	A	27					10	17		
32-A30	A	30					10	20		
32-A40	A	40						40		
32-A48	I	48						48		
32-A55	A	55						55		
32-B22	A	22			2			20		
36-01	C	1	1							
36-3	D	6		3			3			
36-4	A	3		3						

Arrangement	Rating	Contact Number	Contact Size							
			4/0	0	4	8	12	16	18	20
36-5	A	4		4						
36-6	A	6		2	4					
36-7	A	47						7	40	
36-8	A	47						1	46	
36-9	A	31				1	2	14	14	
36-10	A	48							48	
36-14	D	16					5	5	6	
36-15	A	35							35	
36-18 (36-9x100*)	A	31				1	2	14	14	
36-22	D	22						22		
36-35	A	36					4		32	
36-54=36-B39	A	39					8		31	
36-66	A	56						4	52	
36-74	A	44					1		43	
36-77	D	7				7				
36-A7	A	7		3	2			2		
36-A10	A	10				2	8			
36-A35	A	8		4					4	
36-A51	D	6		3	2				1	
36-A72	I	72						4	16	52
36-A99*	A	65							15	50
36-B78	D	14					12		2	
36-B90	D	1								n.1 Special Contact
36-D78	D	14					10		4	
40-1	D	30						6	24	
40-9	A	47					1	22	24	
40-10	A	29				4	9		16	
40-26	A	26					7	19		
40-31	D	31							31	
40-35	D	35							35	
40-47	A	47					1	22	24	
40-53	A	60							60	
40-56	A	85							85	
40-62	A	60							60	
40-63	A	61							61	
40-67	A	11					10		1	
40-100	A	100								100
40-150	I	150								150
40-951	A	51						25	26	
40-A3	A	5			3			2		
40-A4	A	6			4			2		
40-A5	A	5			3	1		1		
40-A5GM	A	5			5					
40-A6	B	6						6		
40-A8	E	8			4				4	
40-A9	A	9			3			6		
40-A10	D	8				4			4	
40-A14	A	14				8		6		
40-A20	D	20					2	18		
40-A24	D	24						8	16	
40-A38	A	38							38	
40-A51	A	31						15	16	
40-A55	A	5			5					
40-A56	A	85							85	
40-A62	A	62					2		60	
40-A65	A	65							65	
40-A70	A	70							70	
40-B4	E	4			4					
40-B19	A	19						19		
40-B25	A	29			4				25	
40-B37	A	37							37	
40-D4	C	4						4		
40-G4	E	4						4		

* Only Crimp Contact Version

Rotazioni alternative

Alternate positions

Arrangement	$\alpha \pm 2^\circ$			
	W	X	Y	Z
10SL-3				
10SL-4				
12S-3	70	145	215	290
14S-1	90	180	270	
14S-2		120	240	
14S-5		110		
14S-6	90			
14S-7	90	180	270	
14S-9	70	145	215	290
14S-07				
16S-1	80			280
16S-4	35	110	250	325
16S-5	70	145	215	290
16S-8		170	265	
16-2				
16-7	80	110	250	280
16-9	35	110	250	325
16-10	90	180	270	
16-11	35	110	250	325
16-12				
16A-10	35	112	235	315
18-1	70	145	215	290
18-3	35	110	250	325
18-4	35	110	250	325
18-5	80	110	250	280
18-6				
18-06	180			
18-7				
18-8	70			290
18-9	80	110	250	280
18-10		120	240	
18-10S MT				
18-11		170	265	
18-12	80			280
18-13	80	110	250	280
18-16				
18-19		120	240	
18-20	90	180	270	
18-22	70	145	215	290
18-29	90	180	270	
18-30				
20-2				
20-3	70	145	215	290
20-4	45	110	250	

Arrangement	$\alpha \pm 2^\circ$			
	W	X	Y	Z
20-6	70	145	215	290
20-7	80	110	250	280
20-8	80	110	250	280
20-9	80	110	250	280
20-11				
20-14	80	110	250	280
20-15	80			280
20-16	80	110	250	280
20-17	90	180	270	
20-18	35	110	250	325
20-19	90	180	270	
20-21	35	110	250	325
20-22	80	110	250	280
20-23	35	110	250	325
20-24	35	110	250	325
20-A24	55	125	200	340
20-25				
20-27	35	110	250	325
20-29	80			280
20-30				
20-33				280
20-A8				
20-A9		110	250	
20-A48		80	280	
20-B8	80	110	250	280
22-1	35	110	250	325
22-2	70	145	215	290
22-4	35	110	250	325
22-5	35	110	250	325
22-7				
22-9	70	145	215	290
22-10	35	110	250	325
22-11	35	110	250	325
22-12	80	110	250	280
22-14	80	110	250	280
22-15	80	110	250	280
22-17	80	110	250	280
22-18	80	110	250	280
22-19	80	110	250	280
22-20	35	110	250	325
22-21	80	110	250	280
22-22		110	250	
22-23	35		250	

Arrangement	$\alpha \pm 2^\circ$			
	W	X	Y	Z
22-27	80		250	280
22-28	80			280
22-34	80	110	250	280
22-82	80	110	250	280
22A-10		120	240	
22-A37	80	112	250	280
22-22S MT				
24-2	80			280
24-3	80	110	250	280
24-4	80	110	250	280
24-5	80	110	250	280
24-06	40			320
24-6	80	110	250	280
24-07	80			280
24-7	80	110	250	280
24-9	35	110	250	325
24-10	80			280
24-11	35	110	250	325
24-12	80	110	250	280
24-013				
24-19				
24-20	80	110	250	280
24-22	45	110	250	
24-27	80			280
24-28	80	110	250	280
24-67	80			335
24-A1				
24-A8				
24-A11	35	110	250	325
24-A12				
24-A25	80	110	250	280
24-A28	65	146	235	
24-A55	80	110	250	280
24-G5	70	110	240	270
28-1	80	110	250	280
28-2	35	110	250	325
28-3	70	145	215	290
28-6	70	145	215	290
28-09	110	250	260	280
28-9	80	110	250	280
28-10	80	110	250	280
28-11	80	110	250	280
28-12	90	180	270	

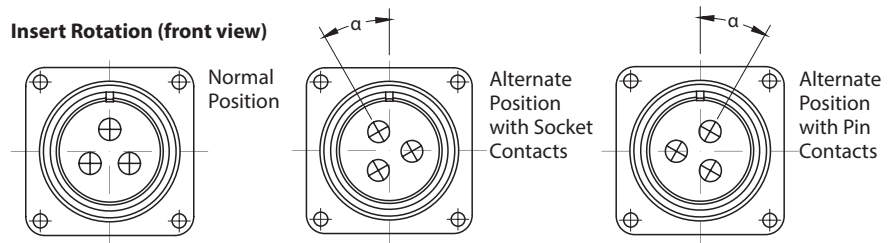
Rotazioni alternative

Alternate positions

Arrangement	$\alpha \pm 2^\circ$			
	W	X	Y	Z
28-13				
28-15	80	110	250	280
28-16	80	110	250	280
28-17	80	110	250	280
28-18	70	145	215	290
28-19	80	110	250	280
28-20	80	110	250	280
28-21	80	110	250	280
28-22	70	145	215	290
28-51	80	135	190	
28-59	35	110	250	325
28-70	80			280
28-72	72	144	216	288
28-79	70	133	227	290
28-84	45	157	90	135
28-124	80	110	250	280
28A-29	80	110	250	280
28A-31	35		260	310
28A-35	80	110	250	280
28A-63		100	260	
28-B1				
28-B2				
32-1	80	110	250	280
32-2	70	145	215	290
32-3	80	110	250	280
32-5	35	110	250	325
32-6	80	110	250	280
32-7	80	125	235	280
32-8	80	125	235	280
32-9	80	110	250	280
32-013	65	130	230	295
32-13	80	110	250	280
32-15	35	110	250	280
32-17	45	110	250	
32-22	80	110	250	280
32-31	80	125	215	280
32-59	36	108	252	324
32-68	65	135	225	275
32-689				
32-A5 GM				

Arrangement	$\alpha \pm 2^\circ$			
	W	X	Y	Z
32-76	80	110	250	280
32-79				
32-88	80	110	250	280
32-A1				
32-A3	22	44	76	98
32A-8	35	122		315
32A-25	60	120		
32-A27	30	115	285	335
32-A30				
32A-40	35	130		
32A-48	80	125	235	
32-A55	80	110	250	280
32-B22	35	110	250	325
36-01				
36-3	70	145	215	290
36-4	70	145	215	290
36-5		120	240	
36-6	35	110	250	325
36-7	80	110	250	280
36-8	80	110	250	280
36-9	80	125	235	280
36-10	80	125	235	280
36-14	90	180	270	
36-15	60	125	245	305
36-18				
36-22	80	110	250	280
36-35				
36-54 = 36-B39	67			
36-66	110	250	260	280
36-74				
36-77	45	90		
36-A7				
36-A10	45	110	250	315
36-A35				
36-A51	45	135	225	315
36A-72		110		
36-A99	30	135		
36B-78	35	106	254	325
36B-90				

Arrangement	$\alpha \pm 2^\circ$			
	W	X	Y	Z
36D-78	35	106	254	325
40-1	65	130	235	300
40-9	65	125	225	310
40-10	65	125	225	310
40-26	80	110	250	280
40-31	80	110	250	280
40-35	70	130	230	290
40-47	65	125	225	310
40-53	80	110	250	280
40-56	72	144	216	288
40-62	30	130	220	290
40-63	80			280
40-67	70	110	230	280
40-100	30	105	230	315
40-150				
40-951	90	105		
40-A3	70	145	215	290
40-A4	50	120	240	325
40-A5	33			270
40-A6	35	110	250	280
40-A5GM	33			270
40-A8	35	110	250	325
40-A9				
40-A10	65			
40-A14	80	135	195	
40-A20	80	110	250	280
40-A24				
40-A38	37			
40-A51				
40-A55				
40-A56	72	144	216	288
40-A62	80	130	230	280
40-A65	70	145	215	285
40-A70	80	110	250	280
40-B4	45	110	215	300
40-B19	35	105	255	325
40-B25				
40-B37				
40-D4				
40-G4				



Inserti per contatti da termocoppia

Inserts for thermocouple contacts

Arrang.	Number of Contacts		Standard Insert	Alternate Position Rotation	Contact Material
	#16	#12			
10SL-51	2	-	10SL-4	45	A=Fe - B=Con
10SL-52	2	-	10SL-4	45	A=Cu - B=Con
10SL-53	2	-	10SL-4	45	A=Al - B=Ch
10SL-54	3	-	10SL-3	-	A=Fe - B=Con - C=Cu
10SL-55	3	-	10SL-3	-	A=Al - B=Ch - C=Cu
10SL-56	2	-	10SL-4	-	A=Al - B=Ch
12S-51	2	-	12S-3	315	A=Ch - B=Al
12S-54	2	-	12S-3	315	A=Fe - B=Con
12S-55	2	-	12S-3	45	A=Cu - B=Con
12S-56	2	-	12S-3	-	A=Al - B=Ch
12S-57	2	-	12S-3	60	A=Ch - B=Al
12S-58	2	-	12S-3	120	A=Fe - B=Con
12S-59	2	-	12S-3	-	A=Fe - B=Con
12S-62	2	-	12S-3	-	A=Ch - B=Al
14S-51	2	-	14S-9	90	A=Al - B=Ch
14S-52	4	-	14S-2	45	A,B=Cu - C=Al - D=Ch
14S-53	2	-	14S-9	90	A=Fe - B=Con
14S-54	6	-	14S-6	45	A,C,E=Fe - B,D,F=Con
14S-55	4	-	14S-2	45	A,C=Fe - B,D=Con
14S-56	4	-	14S-2	45	A=Fe - B=Con - C,D=Cu
14S-57	4	-	14S-2	45	A,C=Al - B,D=Ch
14S-58	3	-	14S-4	45	A=Al - B=Ch - C=Cu
14S-59	2	-	14S-9	90	A=Cu - B=Con
14S-60	2	-	14S-9	-	A=Al - B=Ch
14S-61	6	-	14S-6	45	A=Al - B=Ch - C=Fe - D=Con - E,F=Cu
14S-63	6	-	14S-6	-	A,C=Al - B,D=Ch - E=Fe - F=Con
14S-64	4	-	14S-2	-	A,C=Con - B,D=Cu
14S-65	6	-	14S-6	-	A,C,E=Cu - B,D,F=Con
14S-67	6	-	14S-6	-	A=Al - B=Ch - Bal=Cu
14S-68	4	-	14S-2	45	A=Ch - B=Con - C,D=Cu
14S-69	3	-	14S-7	-	A=Con - B=Ch - C=Cu
14S-70	4	-	14S-2	-	A=Ch - D=Al - Bal=Cu
14S-71	4	-	14S-2	-	n°2 =Ch - n°2=Con
14S-72	4	-	14S-2	-	A,C=Fe - B,D=Con
14S-73	4	-	14S-2	-	A,C=Ch - B,D=Al
14S-74	4	-	14S-2	-	A=Al - B=Ch - Bal=Cu
14S-77	6	-	14S-6	-	A,B,C=Al - D,E,F=Ch
14S-78	4	-	14S-2	-	A,B=Al - C,D=Ch
14S-79	5	-	14S-5	-	n°1=Al - n°1=Ch - Bal=Cu
14S-80	3	-	14S-7	-	n°2=Fe - n°1=Con
16S-50	5	-	16S-8	-	n°1=Con - n°1=Fe - n°3=Cu
16S-51	7	-	16S-1	-	A,F=Al - B=Ch - Bal=Cu
16S-52	2	-	16S-4	-	A=Ch - B=Al
16S-53	3	-	16S-5	-	A,B,C=Fe
16S-54	7	-	16S-1	-	A=Al - B=Ch - Bal=Cu

Materials description key: Al = Alumel, Ch = Chromrel, Con = Constantan, Cu = Copper, Fe = Iron, PhBz = Phosphor Bronze, Dummy = Wire hole plug

Degrees $\alpha \pm 2^\circ$

Inserti per contatti da termocoppia

Inserts for thermocouple contacts

Arrang.	Number of Contacts		Standard Insert	Alternate Position Rotation	Contact Material
	#16	#12			
16S-55	2	-	16S-4	-	n°1=Con - n°1=Cu
16S-56	7	-	16S-1	-	A,D=Fe - B,E=Con - Bal=Cu
16S-57	3	-	16S-5	-	n°1=Ch - n°1=Al - n°1=Cu
16S-58	5	-	16S-8	-	n°2=Fe - n°2=Con - n°1=Cu
16S-59	7	-	16S-1	-	n°3=Al - n°3=Ch - n°1=Cu
16-13	2	-	16-13	-	A=Fe - B=Con
16-52	2	-	16-11	90	A=Al - B=Ch
16-53	2	2	16-9	70	A=Al - C=Ch - B,D=Cu
16-55	-	3	16-10	45	A=Al - B=Ch - C=Cu
16-56	-	2	16-13	90	A=Con - B=Cu
16-57	-	3	16-10	-	A=Al - B=Cu - C=Ch
16-58	-	3	16-10	-	A=Con - B,C=Cu
16-60	-	2	16-13	-	A=Al - B=Ch
18-15	-	4	18-15	-	A,C=Fe - B,D=Con
18-41	4	-	18-4	-	A,C=Fe - B,D=Con
18-42	4	-	18-4	-	A,C=Al - B,D=Ch
18-43	4	-	18-4	-	A,C=Ch - B,D=Con
18-44	3	-	18-22	-	n°1=Al - n°1=Ch - n°1=Cu
18-45	5	-	18-20	-	A=Fe - B=Con - Bal=Cu
18-46	4	-	18-4	-	n°1=Ch - n°1=Al - n°2=Cu
18-47	4	-	18-4	-	A,C=Ch - B,D=Al
18-49	10	-	18-1	-	n°3=Fe - n°3=Con - Bal=Cu
18-50	-	2	18-3	-	n°1=Al - n°1=Ch
18-51	6	-	18-12	-	A,B=Fe - E,D=Con - C,F=Cu / (A=Fe - B,E=Con - D=Cu - C,F=Dummy)
18-52	-	5	18-11	-	A=Fe - B=Con - C=Ch - D=Al - E=Cu / (A=Fe - B=Con - C=Ch - D=Al - E=Dummy)
18-53	6	-	18-12	-	A,D=Fe - B,E=Con - C,F=Cu / (A,D=Fe - B,E=Con - C,F=Dummy)
18-54	-	4	18-15	-	A,C=Al - B,D=Ch
18-56	10	-	18-1	45	A,C,E,G,I=Fe - B,D,F,H,J=Con
18-57	6	-	18-12	45	A,C,E=Al - B,D,F=Ch
18-59	6	-	18-12	45	A,C=Fe - B,E,F=Con - D=Cu
18-60	-	5	18-11	45	A,D=Al - B,C=Ch - E=Cu
18-61	6	-	18-12	-	A,C=Fe - B,D=Con - E=Ch - F=Al
18-62	6	-	18-12	-	A,B,C=Fe - D,E,F=Con
18-63	-	4	18-15	-	A,C=Con - B,D=Cu
18-65	6	-	18-12	-	A=Fe - B=Con - Bal=Cu
18-66	10	-	18-1	-	A,C,E,G,I=Cu - B,D,F,H,J=Con
18-67	6	-	18-12	-	A,C,E=Cu - B,D,F=Con
18-68	5	-	18-11	-	A,D=Al - B,C=Ch - E=Cu
18-69	10	-	18-1	-	A=Al - B=Ch - Bal=Cu
18-70	-	5	18-11	-	A=Fe - B=Con - C=Ch - D=Al - E=Cu
18-71	6	-	18-12	-	n°2=Al - n°2=Ch - n°2=Cu
18-72	-	4	18-10	45	n°2=Fe - n°2=Con
18-73	-	4	18-10	-	n°2=Fe - n°2=Con
18-74	-	4	18-10	-	n°2=Con - n°2=Cu
18-75	10	-	18-1	-	n°2=Al - n°2=Ch - Bal=Cu

Materials description key: Al = Alumel, Ch = Chromrel, Con = Constantan, Cu = Copper, Fe = Iron, PhBz = Phosphor Bronze, Dummy = Wire hole plug

Degrees $\alpha \pm 2^\circ$

Inserti per contatti da termocoppia

Inserts for thermocouple contacts

Arrang.	Number of Contacts		Standard Insert	Alternate Position Rotation	Contact Material
	#16	#12			
20-222	3	3 #8	20-22	-	B=Fe - D=Con - Bal=Cu
20-50	17	-	20-29	-	n°7=Al - n°7=Ch - n°3=Cu
20-51	8	-	20-7	-	A,C,E,G=Ch - B,D,F,H=Al
20-52	-	4	20-4	315	A=Fe - B=Con - C=Ch - D=Al
20-56	-	8	20-7	45	A,B,G,H=Fe - C,D,E,F=Con
20-60	8	-	20-7	45	D=Ch - E=Al - Bal=Cu
20-61	17	-	20-29	45	A,B,M=Cu - Bal=Con
20-62	-	7	20-15	80	A,C,E=Al - B,D,F=Ch - G=Cu
20-64	14	-	20-27	-	H=Al - C=Ch - Bal=Cu
20-641	14	-	20-27	-	A,B,C,D,E,F,G=Al - H,I,J,K,L,M,N=Ch
20-65	14	-	20-27	-	A,B,C,D,E,F,G=Fe - H,I,J,K,L,M,N=Con
20-67	7	2	20-16	-	H=Al - I=Ch - Bal=Cu
20-68	8	-	20-7	-	A,B,G,H=Con - C,D,E,F=Cu
20-69	14	-	20-27	-	A,B,C,D,E,F,G=Cu - H,I,J,K,L,M,N=Con
20-70	17	-	20-29	-	A,C,E,G,J,L,N,R,T=Fe - B,D,F,H,K,M,P,S=Con
20-71	17	-	20-29	-	S=Al - R=Ch - Bal=Cu
20-74	17	-	20-29	-	A,C,E,G,J,L,N,R=Fe - B,D,F,H,K,M,P,S=Con - T=Cu
20-75	-	7	20-15	-	G=Al - Bal=Ch
20-76	17	-	20-29	-	n°8=Ch - n°8=Al - n°1=Cu
20-78	-	4	20-4	-	A=Fe - B=Con - Bal=Cu
20-80	-	3	20-3	-	A=Al - C=Ch - B=Cu
20-81	8	1	20-21	-	n°4=Al - n°4=Ch - I=Cu
20-82	14	-	20-27	-	n°4=Al - n°10=Cu
20-83	14	-	20-27	-	A,B=Ch - C,D=Al - Bal=Cu
20-84	3	3 #8	20-22	-	B=Al - D=Ch - Bal=Cu
20-85	14	-	20-27	-	n°12=Ch - n°1=Al - n°1=Cu
20-86	14	-	20-27	-	n°2=Al - n°12=Ch
22-36	-	8	22-36	-	B,D,F,H=Con - A,C,E,G=Fe
22-57	19	-	22-14	45	A,C,E,G,J,L,N,R=Fe - B,D,F,H,K,M,P,S=Con - T,U,V=Cu
22-60	19	-	22-14	45	U=Al - N=Ch - Bal=Cu
22-62	-	8	22-23	300	A,B,F,G=Al - C,D,E,H=Ch
22-68	14	-	22-19	45	A,C,E,G,J,L,M=Fe - B,D,F,H,K,P,N=Con
22-69	14	-	22-19	45	A,C,E,G,J,L,M=Cu - B,D,F,H,K,P,N=Con
22-71	19	-	22-14	-	V=Al - U=Ch - Bal=Cu
22-72	4	2	22-5	-	B=Al - E=Ch - Bal=Cu
22-73	4	2	22-5	-	E=Al - B=Ch - Bal=Cu
22-74	-	8	22-23	-	A,C,E,G=Fe - B,D,F,H=Con
22-75	-	8	22-23	-	A=Al - B,D,G,H=Cu - C=Ch - E=Fe - F=Con
22-77	14	-	22-19	-	B,D,F,H,J,K,M,P=Cu - A,E,L=Fe - C,G,N=Con
22-78	19	-	22-14	-	A,C,E,G,H,K,M,P,R,T=Con - Bal=Cu
22-79	4	-	22-10	-	A,C=Con - B,D=Cu
22-81	2	3	22-34	-	E=Fe - D=Con - Bal=Cu
22-820	19	-	22-14	-	A,L,C,E,G,J=Fe - B,M,D,F,H,K=Con - N,U,P,R,S,T=Cu - V=Dummy
22-83	19	-	22-14	-	A,L,C,E,G,J=Al - B,M,D,F,H,K=Ch - N,U,P,R,S,T=Cu - V=Dummy
22-85	4	2	22-5	-	n°2=Al - n°2=Ch - Bal=Cu

Materials description key: Al = Alumel, Ch = Chromrel, Con = Constantan, Cu = Copper, Fe = Iron, PhBz = Phosphor Bronze, Dummy = Wire hole plug

Degrees $\alpha \pm 2^\circ$

Inserti per contatti da termocoppia

Inserts for thermocouple contacts

Arrang.	Number of Contacts		Standard Insert	Alternate Position Rotation	Contact Material
	#16	#12			
24-412	12	-	24-19	-	n°6=Cu - n°6=Con
24-56	9	2	24-20	45	E=Al - F=Ch - Bal=Cu
24-57	24	-	24-28	45	A,C,J,V,Y,W,K,E,H,U,S,M=Ch - Bal=Al
24-62	24	-	24-28	-	A,C,E,G=Fe - B,D,F,H=Con - R,T=Ch - S,U=Al - Bal=Cu
24-621	24	-	24-28	-	A,C,E,G,J,L,K,N,S,U,W,Y=Fe - B,D,F,H,Q,R,M,P,T,V,X,Z=Con
24-622	24	-	24-28	-	A,C,E,G,J,L,K,N,S,U,W,Y=Ch - B,D,F,H,Q,R,M,P,T,V,X,Z=Al
24-63	24	-	24-28	-	A,C,E,G,J,L,K,N,S,U,W,Y=Cu - B,D,F,H,Q,R,M,P,T,V,X,Z=Con
24-64	16	-	24-5	-	A,B,C,D,E,F,G,H=Fe - J,K,L,M,N,P,R,S=Con
24-68	24	-	24-28	-	D=Con - Bal=Cu
24-69	12	-	24-19	-	n°5=Con - n°7=Cu
24-71	16	-	24-5	-	A,B,C,D,E,F,G,H=Al - J,K,L,M,N,P,R,S=Ch
28-201	4	10	28-20	-	A,C,E,G,J,P=Con - Bal=Cu
28-53	18	4	28-11	45	J,L=Al - K,M=Ch
28-58	4	10	28-20	45	A,C,E,G,K,M=Al - B,D,F,H,L,N=Ch - J,P=Cu
28-61	37	-	28-21	45	A,C,Z,m,r,n,a,K,F,H,X,k,h,T,M,N,d=Fe - Bal=Con
28-63	4	10	28-20	315	A,C,E,G,J=Al - B,D,F,H,P=Ch - Bal=Cu
28-64	35	-	28-15	-	A,d=Al - B,j=Ch - C,D,E,F,G,N,P,R,S,H,J,K,L,M,W,X,Y,Z=Con - Bal=Cu
28-65	26	-	28-12	-	A,C,E,G,J,L,N,R,T,V=Fe - X,Z=Al - B,D,F,H,K,M,P,S,U,W=Con - Y,a=Ch - b,d=Cu
28-66	20	-	28-16	-	n°10=Con - n°10=Cu
28-67	20	-	28-16	-	U=Con - Bal=Cu
28-68	35	-	28-15	45	T=Al - U=Ch - Bal=Cu
28-69	18	4	28-11	-	G=Al - R=Ch - Bal=Cu
28-700	18	4	28-11	-	A=Al - B=Ch - Bal=Cu
28-77	20	-	28-16	-	n°6=Fe - n°6=Con - Bal=Cu
28-78	35	-	28-15	-	A,B=Ch - C,D=Al - Bal=Cu
28-80	20	-	28-16	-	n°10=Fe - n°10=Con
28-81	35	-	28-15	-	n°10=Al - n°10=Ch - Bal=Cu
28-811	35	-	28-15	-	n°17=Ch - n°17=Al - n°1=Dummy
28-82	35	-	28-15	-	n°12=Fe - n°12=Con - Bal=Cu
32-50	34	6	32-8	-	M=Ch - N=Al - Bal=Cu
32-51	24	6	32-8	90	M=Ch - N=Al - Bal=Cu
32-55	24	6	32-8	125	M,N=Ch - O,P=Al - Bal=Cu
32A-401	40	-	32A-40	-	n°13=Al - n°13=Ch - n°14=Cu
36-101	48	-	36-10	-	n°24=Al - n°24=Ch
36-102	48	-	36-10	-	n°24=Ch - n°24=Con
36-53	40	7	36-7	45	U,V,W=Al - X,Y,Z=Ch - Bal=Cu
36-56	48	-	36-10	-	A,C,E,G,L,J,H,P,R,T,V,X,Z,b,d,f,h,k,q,m,n,u,w,y=Con - Bal=Cu
36-57	46	1	36-8	-	W=Al - f=Ch - Bal=Cu
36-58	35	-	36-15	-	H=Al - G=Ch - Bal=Cu
36-61	35	-	36-15	-	A,C,E,J,K,L,M,N,P,R,T,V,f,X,Y,h,j,c=Con - Bal=Cu
36-62	48	-	36-10	-	A,C,E=Al - B,D,F=Ch - Bal=Cu
36-63	48	-	36-10	-	n°16=Al - n°16=Ch - n°16=Cu
36-64	48	-	36-10	-	n°24=Fe - n°24=Con
40-58	85	-	40-56	-	A,C,E,H,K,M,P,S,U,W,Y,a,c,f,h,j,m,p,r,t,v,x,z,AB,AD,AF,AJ,AL,AN,AP,AS,AU,AW,A Y,BA,BC,BE,BH,BK,BM,BP,BS,BU=Fe - Bal=Con
40-59	85	-	40-56	-	B=Ch - C=Con - Bal=Cu

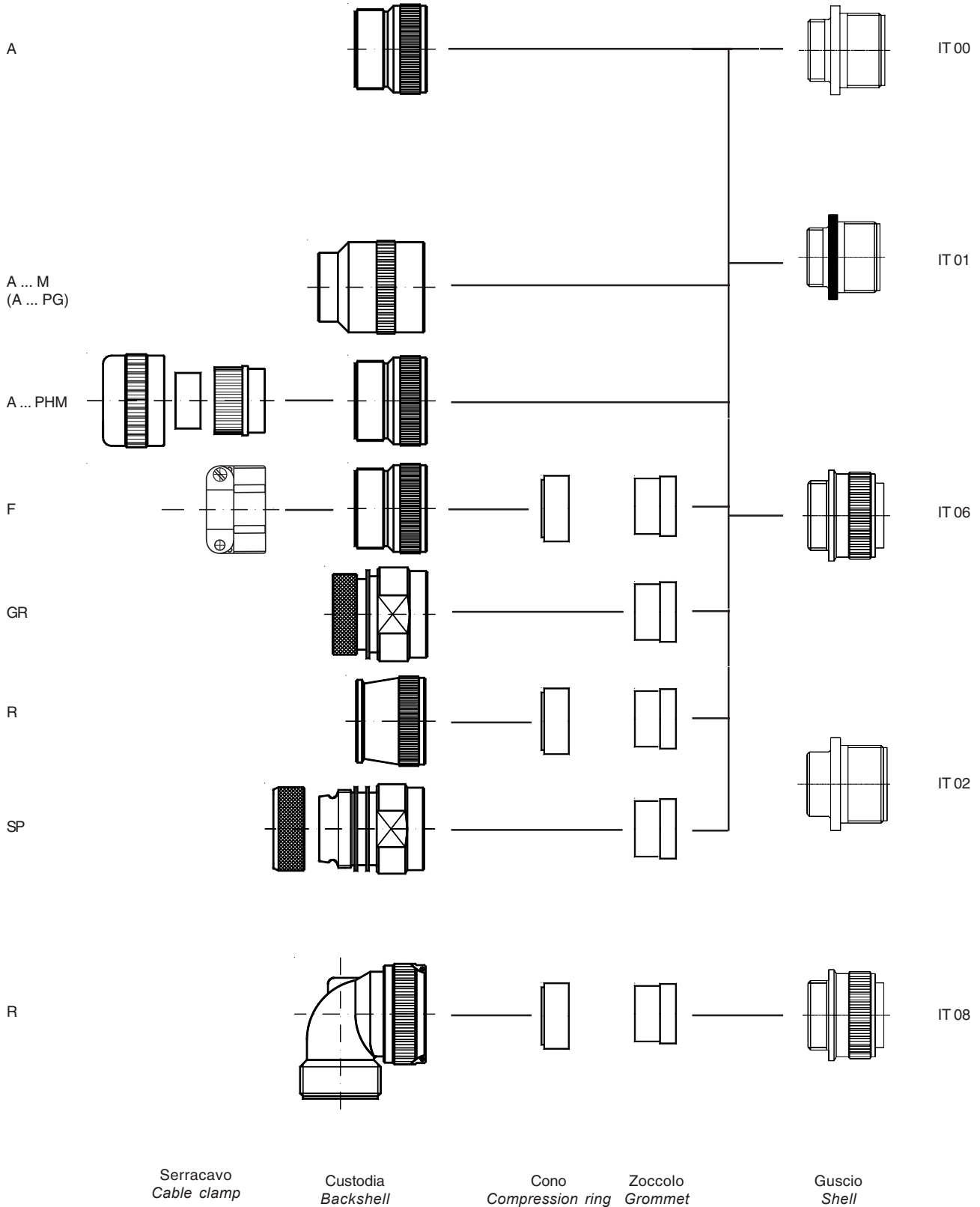
Materials description key: Al = Alumel, Ch = Chromrel, Con = Constantan, Cu = Copper, Fe = Iron, PhBz = Phosphor Bronze, Dummy = Wire hole plug

Degrees $\alpha \pm 2^\circ$

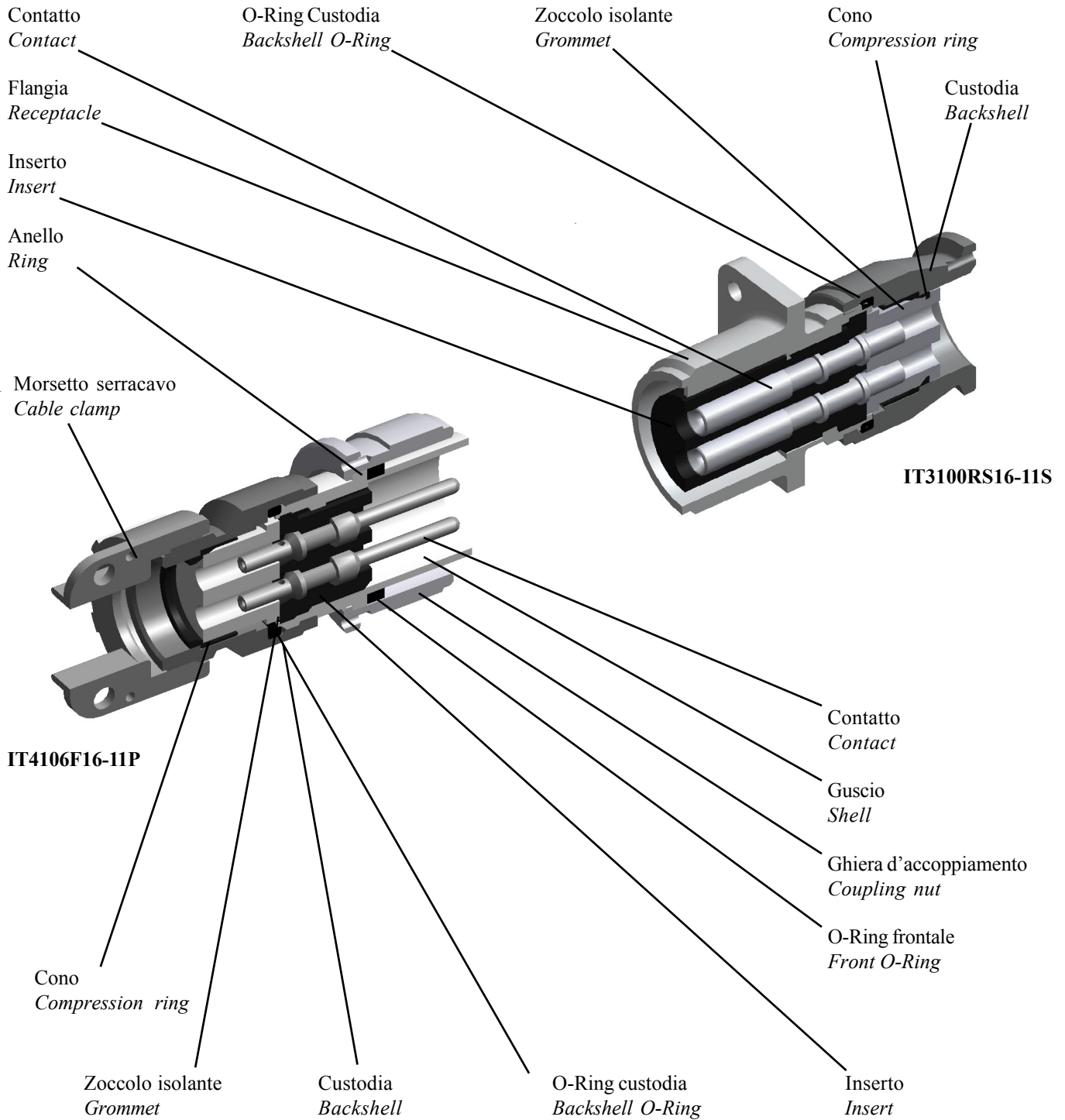
Composizioni e classi Styles & classes

Classe / Class

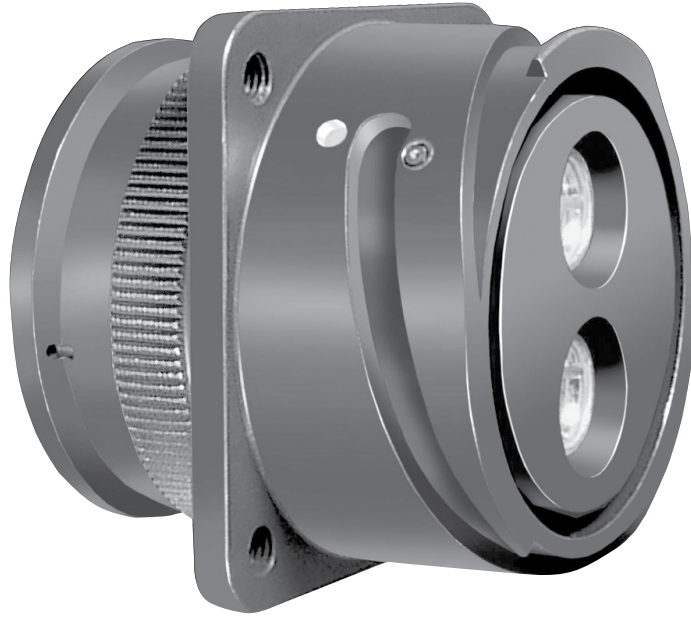
Stile / Style



Esempio di composizioni Example of assembled components



To Most People It's Just a Connector



To Glenair It's a Promise

Most customers have a simple expectation when they go shopping for safety-critical interconnect components: They want fast and accurate service. Glenair addresses this most basic customer requirement in several different ways. First and foremost, by providing immediate access to our technical information and product documentation: whether you prefer an office visit, the telephone, the Internet, a CD or a printed catalog, Glenair is ready with answers to your most complex questions and design challenges. Secondly, Glenair stocks thousands of popular catalog products for those situations

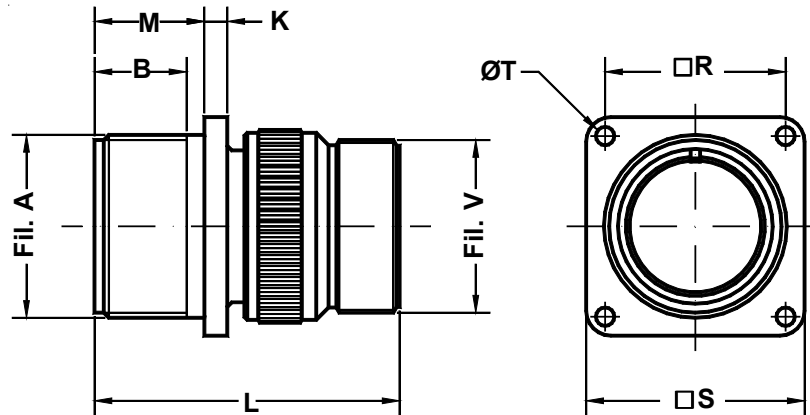
when even a two or three week lead-time is just too long. We stock over 70,000 interconnect components—bagged and tagged and ready for immediate shipment. And for those situations when a customized solution is required, our engineers are fully versed in all aspects of interconnect system design: from shielding against EMI, to reducing weight and connector package size, to stopping corrosion and other forms of environmental damage.

You have a simple expectation: fast and accurate service. At Glenair, we're ready to give you exactly that. It's a promise.



IT 3100 A
IT 4100 A

Connettore da paratia
Wall mounting receptacle



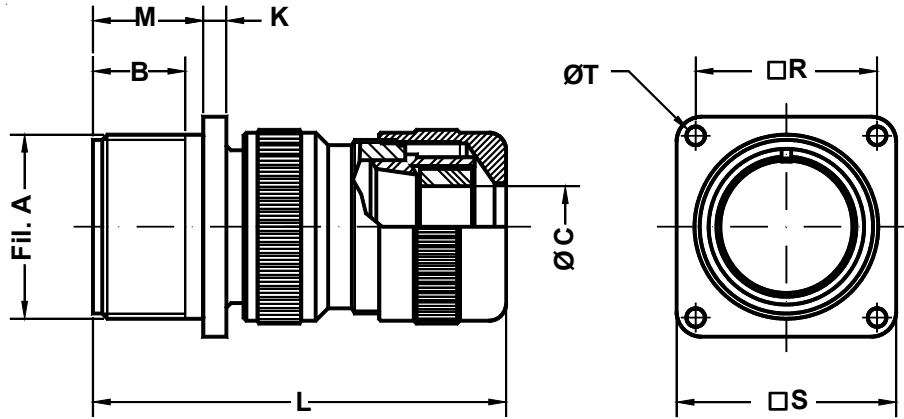
Es. / Ex. : IT3100A20-27P

Dimensione Guscio Shell Size	Filetto A A thread	B min.	K ±0.2	L Max.	M +0.2 -0	R ±0.1	S ±0.2	T +0.1 -0	Filetto V V thread
10 SL	0.6250 - 24UNEF	11	2.8	44.0	14.3	18.25	25.4	3.2	0.6250 - 24UNEF
12 S	0.7500 - 20UNEF	11	2.8	44.0	14.3	20.60	27.8	3.2	0.6250 - 24UNEF
12	0.7500 - 20UNEF	16	2.8	51.5	19.1	20.60	27.8	3.2	0.6250 - 24UNEF
14 S	0.8750 - 20UNEF	11	3.3	46.4	14.5	23.00	30.0	3.2	0.7500 - 20UNEF
14	0.8750 - 20UNEF	16	3.3	53.0	19.1	23.00	30.0	3.2	0.7500 - 20UNEF
16 S	1.0000 - 20UNEF	11	3.3	46.4	14.5	24.60	32.5	3.2	0.8750 - 20UNEF
16	1.0000 - 20UNEF	16	3.3	57.8	19.1	24.60	32.5	3.2	0.8750 - 20UNEF
18	1.1250 - 18UNEF	16	4.0	57.8	19.1	27.00	35.0	3.2	1.0000 - 20UNEF
20	1.2500 - 18UNEF	16	4.0	58.1	19.1	29.40	38.0	3.2	1.1875 - 18UNEF
22	1.3750 - 18UNEF	16	4.0	58.1	19.6	31.75	41.0	3.2	1.1875 - 18UNEF
24	1.5000 - 18UNEF	17	4.0	59.7	20.6	34.90	44.5	3.7	1.4375 - 18UNEF
28	1.7500 - 18UNS	17	4.0	66.2	20.0	39.70	50.9	3.7	1.4375 - 18UNEF
32	2.0000 - 18UNS	17	4.0	71.3	22.3	44.45	57.0	4.3	1.7500 - 18UNS
36	2.2500 - 16UN	17	4.0	76.8	22.3	49.20	63.5	4.3	2.0000 - 18UNS
40	2.5000 - 16UN	17	4.0	76.8	22.3	55.55	69.9	4.3	2.2500 - 16UN

Connettore da pannello a flangia quadra.
 Fornito completo di adattatore per serracavo
 MS 3057-XX A/B/C.

Wall mounting receptacle.
Includes backshell for cable clamp
MS 3057-XX A/B/C.

Connettore da paratia
Wall mounting receptacle



Es. / Ex. : IT3100A20-27PPHM11

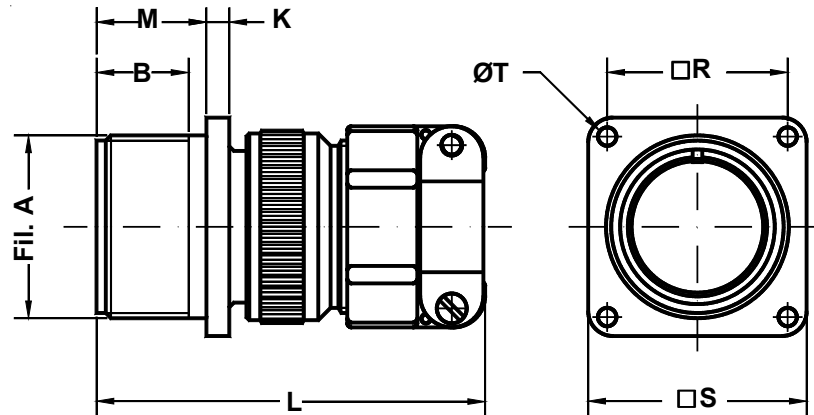
Dimensione Guscio Shell Size	P.N. PHM	Filetto A A thread	B min.	C min. ÷ Max.	K ±0.2	L Max.	M +0.2 -0	R ±0.1	S ±0.2	T +0.1 -0
10 SL	9	0.6250 - 24UNEF	11	2÷9	2.8	60	14.3	18.25	25.4	3.2
12 S	11	0.7500 - 20UNEF	11	2÷11	2.8	60	14.3	20.60	27.8	3.2
12	11	0.7500 - 20UNEF	16	2÷11	2.8	60	19.1	20.60	27.8	3.2
14 S	11	0.8750 - 20UNEF	11	2÷11	3.3	60	14.5	23.00	30.0	3.2
14	11	0.8750 - 20UNEF	16	2÷11	3.3	60	19.1	23.00	30.0	3.2
16 S	11	1.0000 - 20UNEF	11	2÷11	3.3	60	14.5	24.60	32.5	3.2
16	11	1.0000 - 20UNEF	16	2÷11	3.3	70	19.1	24.60	32.5	3.2
18	11 / 18	1.1250 - 18UNEF	16	2÷11 / 9÷16.5	4.0	70	19.1	27.00	35.0	3.2
20	11 / 18	1.2500 - 18UNEF	16	2÷11 / 9÷16.5	4.0	70	19.1	29.40	38.0	3.2
22	18	1.3750 - 18UNEF	16	9÷16.5	4.0	70	19.6	31.75	41.0	3.2
24	18 / 22 / 24	1.5000 - 18UNEF	17	9÷16.5 / 15÷20 / 19÷24	4.0	80	20.6	34.90	44.5	3.7
28	18 / 22 / 24	1.7500 - 18UNS	17	9÷16.5 / 15÷20 / 19÷24	4.0	80	20.0	39.70	50.9	3.7
32	22 / 24	2.0000 - 18UNS	17	15÷20 / 19÷24	4.0	80	22.3	44.45	57.0	4.3
36	35	2.2500 - 16UN	17	23÷35	4.0	95	22.3	49.20	63.5	4.3
40	35	2.5000 - 16UN	17	23÷35	4.0	95	22.3	55.55	69.9	4.3

Connettore da pannello flangia quadra.
Fornito completo di serracavo PHM. Garantisce
una ottima tenuta meccanica sul cavo e
ambientale se provvisto di appositi O-Ring.

Wall mounting receptacle.
Includes a PHM cable clamp that assures an
excellent mechanical and waterproof seal if
used with the correct neoprene sealing sleeves.
No grommet supplied.

IT 3100 F
IT 4100 F

Connettore da paratia
Wall mounting receptacle



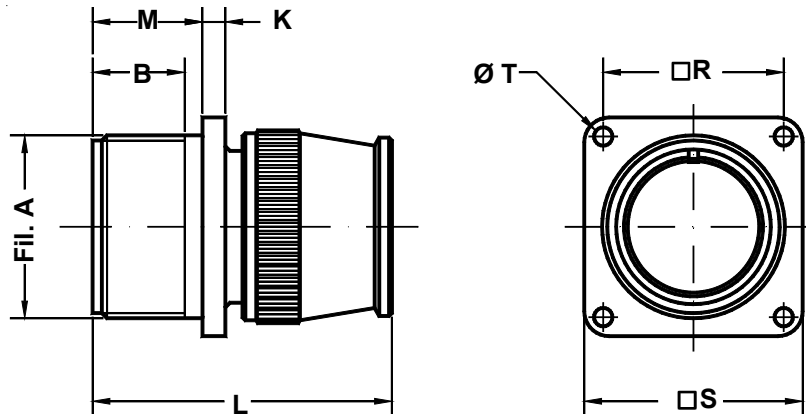
Es. / Ex. : IT3100F20-27P

Dimensione Guscio Shell Size	Filetto A A thread	B min.	K ±0.2	L Max.	M +0.2 -0	R ±0.1	S ±0.2	T +0.1 -0
10 SL	0.6250 - 24UNEF	11	2.8	55.0	14.3	18.25	25.4	3.2
12 S	0.7500 - 20UNEF	11	2.8	55.0	14.3	20.60	27.8	3.2
12	0.7500 - 20UNEF	16	2.8	62.5	19.1	20.60	27.8	3.2
14 S	0.8750 - 20UNEF	11	3.3	58.4	14.5	23.00	30.0	3.2
14	0.8750 - 20UNEF	16	3.3	65.0	19.1	23.00	30.0	3.2
16 S	1.0000 - 20UNEF	11	3.3	60.4	14.5	24.60	32.5	3.2
16	1.0000 - 20UNEF	16	3.3	71.8	19.1	24.60	32.5	3.2
18	1.1250 - 18UNEF	16	4.0	77.8	19.1	27.00	35.0	3.2
20	1.2500 - 18UNEF	16	4.0	74.0	19.1	29.40	38.0	3.2
22	1.3750 - 18UNEF	16	4.0	74.0	19.6	31.75	41.0	3.2
24	1.5000 - 18UNEF	17	4.0	76.7	20.6	34.90	44.5	3.7
28	1.7500 - 18UNS	17	4.0	83.2	20.0	39.70	50.9	3.7
32	2.0000 - 18UNS	17	4.0	90.3	22.3	44.45	57.0	4.3
36	2.2500 - 16UN	17	4.0	96.8	22.3	49.20	63.5	4.3
40	2.5000 - 16UN	17	4.0	115.8	22.3	55.55	69.9	4.3

Connettore da pannello flangia quadra.
Fornito completo di zoccolo isolante, adattatore
e serracavo MS 3057 classe A.

Wall mounting receptacle.
Includes insulating grommet, backshell and
class A cable clamp MS 3057.

Connettore da paratia
Wall mounting receptacle



Es. / Ex. : IT3100R20-27P

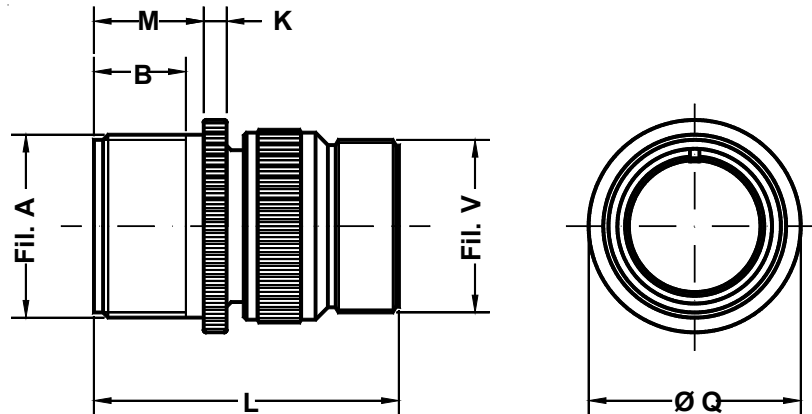
Dimensione Guscio Shell Size	Filetto A A thread	B min.	K ±0.2	L Max.	M +0.2 -0	R ±0.1	S ±0.2	T +0.1 -0
10 SL	0.6250 - 24UNEF	11	2.8	38.0	14.3	18.25	25.4	3.2
12 S	0.7500 - 20UNEF	11	2.8	38.0	14.3	20.60	27.8	3.2
12	0.7500 - 20UNEF	16	2.8	45.5	19.1	20.60	27.8	3.2
14 S	0.8750 - 20UNEF	11	3.3	47.5	14.5	23.00	30.0	3.2
14	0.8750 - 20UNEF	16	3.3	52.5	19.1	23.00	30.0	3.2
16 S	1.0000 - 20UNEF	11	3.3	45.5	14.5	24.60	32.5	3.2
16	1.0000 - 20UNEF	16	3.3	55.5	19.1	24.60	32.5	3.2
18	1.1250 - 18UNEF	16	4.0	55.5	19.1	27.00	35.0	3.2
20	1.2500 - 18UNEF	16	4.0	55.5	19.1	29.40	38.0	3.2
22	1.3750 - 18UNEF	16	4.0	55.5	19.6	31.75	41.0	3.2
24	1.5000 - 18UNEF	17	4.0	58.5	20.6	34.90	44.5	3.7
28	1.7500 - 18UNS	17	4.0	58.5	20.0	39.70	50.9	3.7
32	2.0000 - 18UNS	17	4.0	58.5	22.3	44.45	57.0	4.3
36	2.2500 - 16UN	17	4.0	58.5	22.3	49.20	63.5	4.3
40	2.5000 - 16UN	17	4.0	58.5	22.3	55.55	69.9	4.3

Connettore da pannello flangia quadra.
Fornito completo di zoccolo isolante e custodia
posteriore. Utilizzato con fili singoli.

Wall mounting receptacle.
Includes insulating grommet and backshell.
For use with individual wires.

IT 3101 A
IT 4101 A

Connettore per giunzione volante
In-line receptacle



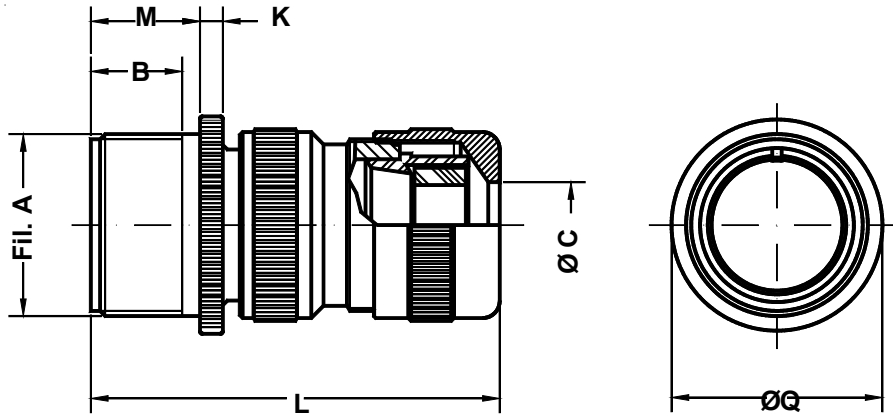
Es. / Ex. : IT3101A20-27P

Dimensione Guscio Shell Size	Filetto A A thread	B min.	K ±0.2	L Max.	M +0.2 -0	Q ±0.2	Filetto V V thread
10 SL	0.6250 - 24UNEF	11	2.8	44.0	14.3	21.6	0.6250 - 24UNEF
12 S	0.7500 - 20UNEF	11	2.8	44.0	14.3	24.9	0.6250 - 24UNEF
12	0.7500 - 20UNEF	16	2.8	51.5	19.1	24.9	0.6250 - 24UNEF
14 S	0.8750 - 20UNEF	11	3.3	46.4	14.5	28.8	0.7500 - 20UNEF
14	0.8750 - 20UNEF	16	3.3	53.0	19.1	28.8	0.7500 - 20UNEF
16 S	1.0000 - 20UNEF	11	3.3	46.4	14.5	30.6	0.8750 - 20UNEF
16	1.0000 - 20UNEF	16	3.3	57.8	19.1	30.6	0.8750 - 20UNEF
18	1.1250 - 18UNEF	16	4.0	57.8	19.1	33.7	1.0000 - 20UNEF
20	1.2500 - 18UNEF	16	4.0	58.1	19.1	36.9	1.1875 - 18UNEF
22	1.3750 - 18UNEF	16	4.0	58.1	19.6	39.5	1.1875 - 18UNEF
24	1.5000 - 18UNEF	17	4.0	59.7	20.6	43.9	1.4375 - 18UNEF
28	1.7500 - 18UNS	17	4.0	66.2	20.0	49.2	1.4375 - 18UNEF
32	2.0000 - 18UNS	17	4.0	71.3	22.3	55.8	1.7500 - 18UNS
36	2.2500 - 16UN	17	4.0	76.8	22.3	62.3	2.0000 - 18UNS
40	2.5000 - 16UN	17	4.0	76.8	22.3	68.5	2.2500 - 16UN

Connettore per giunzioni volanti.
Fornito completo di adattatore per serracavo
MS 3057-XX A/B/C.

In-line receptacle.
Includes backshell for MS 3057-XX A/B/C
cable clamp.

Connettore per giunzione volante
In-line receptacle



Es. / Ex. : IT3101A20-27PPHM11

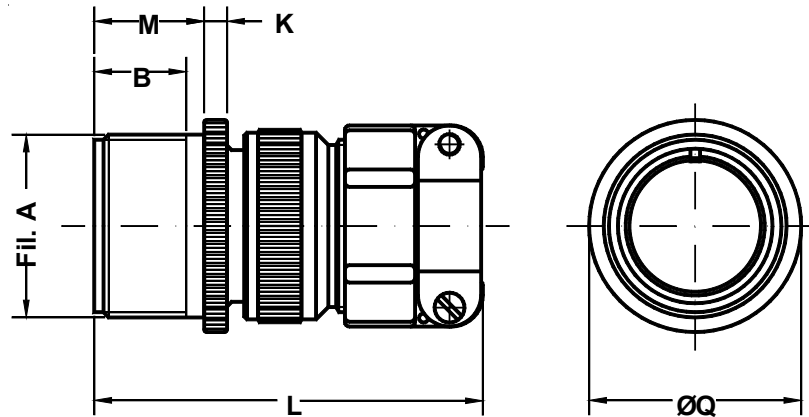
Dimensione Guscio Shell Size	P.N. PHM	Filetto A A thread	B min.	C min. ÷ Max.	K ±0.2	L Max.	M +0.2 -0	Q ±0.2
10 SL	9	0.6250 - 24UNEF	11	2÷9	2.8	60	14.3	21.6
12 S	11	0.7500 - 20UNEF	11	2÷11	2.8	60	14.3	24.9
12	11	0.7500 - 20UNEF	16	2÷11	2.8	60	19.1	24.9
14 S	11	0.8750 - 20UNEF	11	2÷11	3.3	60	14.5	28.8
14	11	0.8750 - 20UNEF	16	2÷11	3.3	60	19.1	28.8
16 S	11	1.0000 - 20UNEF	11	2÷11	3.3	60	14.5	30.6
16	11	1.0000 - 20UNEF	16	2÷11	3.3	70	19.1	30.6
18	11 / 18	1.1250 - 18UNEF	16	2÷11 / 9÷16.5	4.0	70	19.1	33.7
20	11 / 18	1.2500 - 18UNEF	16	2÷11 / 9÷16.5	4.0	70	19.1	36.9
22	18	1.3750 - 18UNEF	16	9÷16.5	4.0	70	19.6	39.5
24	18 / 22 / 24	1.5000 - 18UNEF	17	9÷16.5 / 15÷20 / 19÷24	4.0	80	20.6	43.9
28	18 / 22 / 24	1.7500 - 18UNS	17	9÷16.5 / 15÷20 / 19÷24	4.0	80	20.0	49.2
32	22 / 24	2.0000 - 18UNS	17	15÷20 / 19÷24	4.0	80	22.3	55.8
36	35	2.2500 - 16UN	17	23÷35	4.0	95	22.3	62.3
40	35	2.5000 - 16UN	17	23÷35	4.0	95	22.3	68.5

Connettore per giunzioni volanti.
Fornito completo di serracavo PHM. Garantisce una ottima tenuta meccanica sul cavo e ambientale se provvisto di appositi O-Ring.

In-line receptacle.
Includes a PHM cable clamp that assures an excellent mechanical and waterproof seal if used with the correct neoprene sealing sleeves. No grommet supplied.

IT 3101 F
IT 4101 F

Connettore per giunzione volante
In-line receptacle



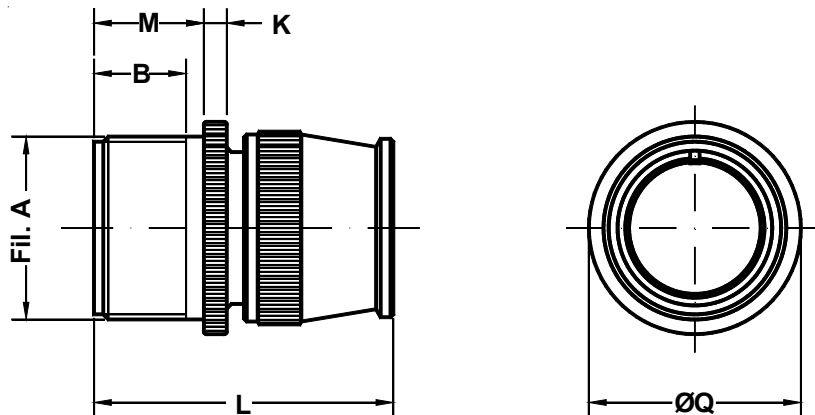
Es. / Ex. : IT3101F20-27P

Dimensione Guscio Shell Size	Filetto A A thread	B min.	K ±0.2	L Max.	M +0.2 -0	Q ±0.2
10 SL	0.6250 - 24UNEF	11	2.8	55.0	14.3	21.6
12 S	0.7500 - 20UNEF	11	2.8	55.0	14.3	24.9
12	0.7500 - 20UNEF	16	2.8	62.5	19.1	24.9
14 S	0.8750 - 20UNEF	11	3.3	58.4	14.5	28.8
14	0.8750 - 20UNEF	16	3.3	65.0	19.1	28.8
16 S	1.0000 - 20UNEF	11	3.3	60.4	14.5	30.6
16	1.0000 - 20UNEF	16	3.3	71.8	19.1	30.6
18	1.1250 - 18UNEF	16	4.0	77.8	19.1	33.7
20	1.2500 - 18UNEF	16	4.0	74.0	19.1	36.9
22	1.3750 - 18UNEF	16	4.0	74.0	19.6	39.5
24	1.5000 - 18UNEF	17	4.0	76.7	20.6	43.9
28	1.7500 - 18UNS	17	4.0	83.2	20.0	49.2
32	2.0000 - 18UNS	17	4.0	90.3	22.3	55.8
36	2.2500 - 16UN	17	4.0	96.8	22.3	62.3
40	2.5000 - 16UN	17	4.0	115.8	22.3	68.5

Connettore per giunzioni volanti.
 Fornito completo di zoccolo isolante, adattatore
 e serracavo MS 3057 classe A.

In-line receptacle.
Includes insulating grommet, backshell and
class A cable clamp MS 3057 type.

Connettore per giunzione volante
In-line receptacle



Es. / Ex. : IT3101R20-27P

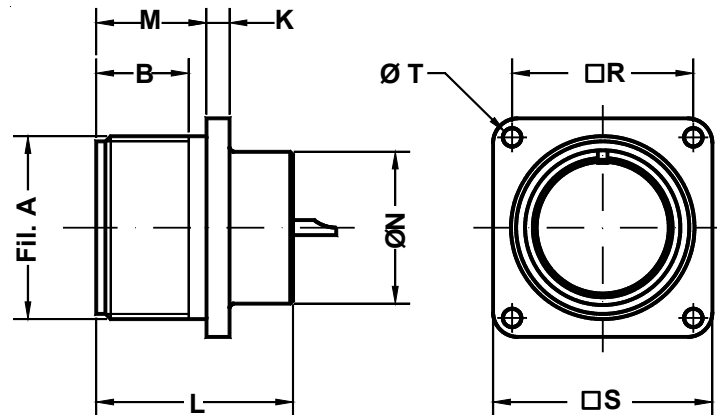
Dimensione Guscio Shell Size	Filetto A A thread	B min.	K ±0.2	L Max.	M +0.2 -0	Q ±0.2
10 SL	0.6250 - 24UNEF	11	2.8	38.0	14.3	21.6
12 S	0.7500 - 20UNEF	11	2.8	38.0	14.3	24.9
12	0.7500 - 20UNEF	16	2.8	45.5	19.1	24.9
14 S	0.8750 - 20UNEF	11	3.3	47.5	14.5	28.8
14	0.8750 - 20UNEF	16	3.3	52.5	19.1	28.8
16 S	1.0000 - 20UNEF	11	3.3	45.5	14.5	30.6
16	1.0000 - 20UNEF	16	3.3	55.5	19.1	30.6
18	1.1250 - 18UNEF	16	4.0	55.5	19.1	33.7
20	1.2500 - 18UNEF	16	4.0	55.5	19.1	36.9
22	1.3750 - 18UNEF	16	4.0	55.5	19.6	39.5
24	1.5000 - 18UNEF	17	4.0	58.5	20.6	43.9
28	1.7500 - 18UNS	17	4.0	58.5	20.0	49.2
32	2.0000 - 18UNS	17	4.0	58.5	22.3	55.8
36	2.2500 - 16UN	17	4.0	58.5	22.3	62.3
40	2.5000 - 16UN	17	4.0	58.5	22.3	68.5

Connettore per giunzioni volanti.
Fornito completo di zoccolo isolante e custodia
posteriore. Utilizzato con fili singoli.

In-line receptacle.
Includes insulating grommet and backshell.
For use with individual wires.

IT 3102 A / IT 3102 R
IT 4102 A / IT 4102 R

Connettore da pannello
Box mounting receptacle



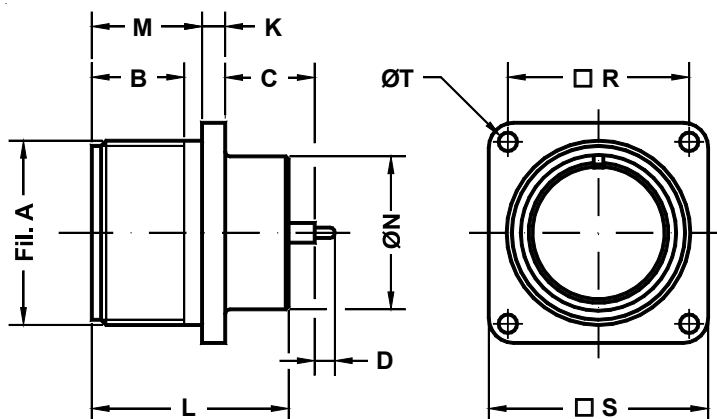
Es. / Ex. : IT3102A20-27P

Dimensione Guscio Shell Size	Filetto A A thread	B min.	K ±0.2	L ±0.5	M +0.1 -0	N Max.	R ±0.1	S ±0.3	T +0.18 -0
10 SL	0.6250 - 24UNEF	11	2.8	24.6	14.3	16.3	18.20	25.4	3.2
12 S	0.7500 - 20UNEF	11	2.8	24.6	14.3	16.3	20.60	27.8	3.2
12	0.7500 - 20UNEF	16	2.8	34.5	19.1	16.3	20.60	27.8	3.2
14 S	0.8750 - 20UNEF	11	3.3	24.8	14.5	19.3	23.00	30.0	3.2
14	0.8750 - 20UNEF	16	3.3	34.5	19.1	19.3	23.00	30.0	3.2
16 S	1.0000 - 20UNEF	11	3.3	24.8	14.5	22.5	24.60	32.5	3.2
16	1.0000 - 20UNEF	16	3.3	34.2	19.1	22.5	24.60	32.5	3.2
18	1.1250 - 18UNEF	16	4.0	34.2	19.1	25.6	27.00	35.0	3.2
20	1.2500 - 18UNEF	16	4.0	34.2	19.1	29.1	29.40	38.0	3.2
22	1.3750 - 18UNEF	16	4.0	34.2	19.1	32.3	31.80	41.0	3.2
24	1.5000 - 18UNEF	17	4.0	35.7	20.0	35.4	34.90	44.5	3.7
28	1.7500 - 18UNS	17	4.0	35.7	20.0	41.5	39.70	50.8	3.7
32	2.0000 - 18UNS	17	4.0	37.3	22.3	47.9	44.50	57.0	4.3
36	2.2500 - 16UN	17	4.0	37.3	22.3	54.2	49.20	63.5	4.3
40	2.5000 - 16UN	17	4.0	37.3	22.3	58.8	55.55	69.9	4.3

Connettore da pannello flangia quadra.
 Classe A: per impieghi generali.
 Classe R: per tenuta ambientale.

Box mounting square flange receptacle.
 Class A: for general use.
 Class R: for environmental sealing.

Connettore da pannello Box mounting receptacle



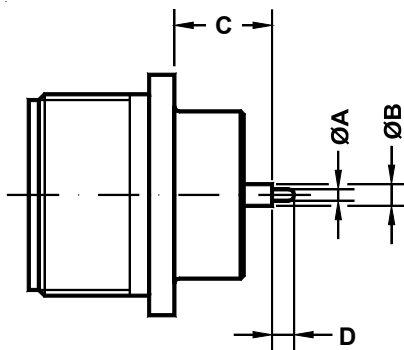
Es. / Ex. : IT3102Y20-27P

Dimensione Guscio Shell Size	Filetto A A thread	B min.	C - D	K ±0.2	L ±0.5	M +0.1 -0	N Max.	R ±0.1	S ±0.3	T +0.18 -0
10 SL	0.6250 - 24UNEF	11	Vedi tabella alla pagina seguente See the table on the next page	2.8	24.6	14.3	16.3	18.20	25.4	3.2
12 S	0.7500 - 20UNEF	11		2.8	24.6	14.3	16.3	20.60	27.8	3.2
12	0.7500 - 20UNEF	16		2.8	34.5	19.1	16.3	20.60	27.8	3.2
14 S	0.8750 - 20UNEF	11		3.3	24.8	14.5	19.3	23.00	30.0	3.2
14	0.8750 - 20UNEF	16		3.3	34.5	19.1	19.3	23.00	30.0	3.2
16 S	1.0000 - 20UNEF	11		3.3	24.8	14.5	22.5	24.60	32.5	3.2
16	1.0000 - 20UNEF	16		3.3	34.5	19.1	22.5	24.60	32.5	3.2
18	1.1250 - 18UNEF	16		4.0	34.2	19.1	25.6	27.00	35.0	3.2
20	1.2500 - 18UNEF	16		4.0	34.2	19.1	29.1	29.40	38.0	3.2
22	1.3750 - 18UNEF	16		4.0	34.2	19.1	32.3	31.80	41.0	3.2
24	1.5000 - 18UNEF	17		4.0	35.7	20.0	35.4	34.90	44.5	3.7
28	1.7500 - 18UNS	17		4.0	35.7	20.0	41.5	39.70	50.8	3.7
32	2.0000 - 18UNS	17		4.0	37.3	22.3	47.9	44.50	57.0	4.3
36	2.2500 - 16UN	17		4.0	37.3	22.3	54.2	49.20	63.5	4.3
40	2.5000 - 16UN	17		4.0	37.3	22.3	58.8	55.55	69.9	4.3

Connettore da pannello flangia quadra con contatti da circuito stampato.

Box mounting square flange receptacle with PCB contacts.

Connettore da pannello
Box mounting receptacle



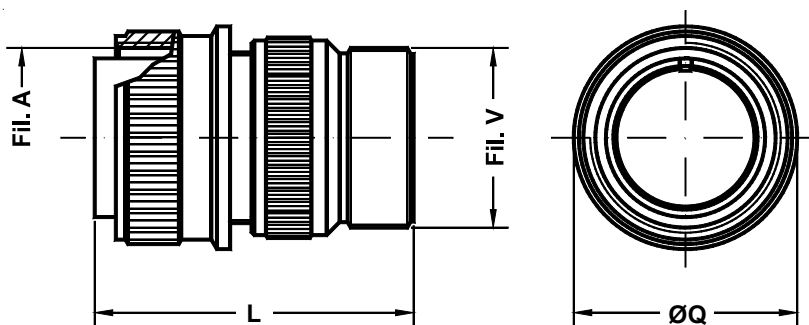
Es. / Ex. : IT3102Y20-27P

Dimensione Guscio Shell Size	DS1				Y # 16				Y #12				YL5			
	A	B	C	D	A	B	C	D	A	B	C	D	A	B	C	D
10 SL	0.8	1.8	13.80	3.6	-	-	-	-	-	-	-	-	-	-	-	-
12 S	0.8	1.8	12.90	3.6	-	-	-	-	-	-	-	-	-	-	-	-
12	0.8	1.8	-	3.6	-	-	-	-	1.8	3.4	18.30	3.5	-	-	-	-
14 S	0.8	1.8	12.40	3.6	-	-	-	-	-	-	-	-	-	-	-	-
14	0.8	1.8	14.60	3.6	-	-	-	-	-	-	-	-	-	-	-	-
16 S	0.8	1.8	12.40	3.6	-	-	-	-	-	-	-	-	-	-	-	-
16	0.8	1.8	14.60	3.6	0.8	1.8	17.85	3.5	1.8	3.4	17.85	3.5	0.8	1.8	17.85	5
18	0.8	1.8	13.80	3.6	0.8	1.8	17.05	3.5	1.8	3.4	17.05	3.5	0.8	1.8	17.05	5
20	0.8	1.8	13.80	3.6	0.8	1.8	17.05	3.5	1.8	3.4	17.05	3.5	0.8	1.8	17.05	5
22	0.8	1.8	13.30	3.6	0.8	1.8	16.55	3.5	1.8	3.4	16.55	3.5	0.8	1.8	16.55	5
24	0.8	1.8	12.20	3.6	0.8	1.8	15.45	3.5	1.8	3.4	15.45	3.5	0.8	1.8	15.45	5
28	0.8	1.8	13.00	3.6	0.8	1.8	16.25	3.5	1.8	3.4	16.25	3.5	0.8	1.8	16.25	5
32	-	-	-	-	0.8	1.8	13.85	3.5	1.8	3.4	13.85	3.5	0.8	1.8	16.70	5
36	-	-	-	-	0.8	1.8	13.85	3.5	1.8	3.4	13.85	3.5	0.8	1.8	16.70	5
40	-	-	-	-	0.8	1.8	13.85	3.5	1.8	3.4	13.85	3.5	0.8	1.8	16.70	5

Connettore da pannello flangia quadra con contatti da circuito stampato.

Box mounting square flange receptacle with PCB contacts.

Connettore volante diritto
Straight plug



Es. / Ex. : IT3106A20-27P

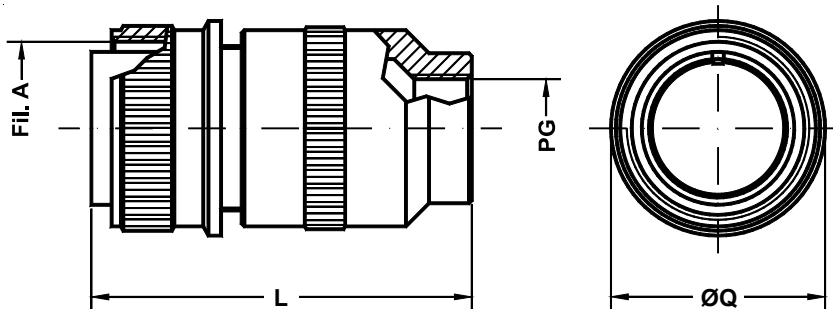
Dimensione Guscio Shell Size	Filetto A A thread	L Max.	Q ±0.2	Filetto V V thread
10 SL	0.6250 - 24UNEF	44.0	24.1	0.6250 - 24UNEF
12 S	0.7500 - 20UNEF	44.0	25.0	0.6250 - 24UNEF
12	0.7500 - 20UNEF	51.5	25.0	0.6250 - 24UNEF
14 S	0.8750 - 20UNEF	46.4	28.0	0.7500 - 20UNEF
14	0.8750 - 20UNEF	53.0	28.0	0.7500 - 20UNEF
16 S	1.0000 - 20UNEF	46.4	31.5	0.8750 - 20UNEF
16	1.0000 - 20UNEF	57.8	31.5	0.8750 - 20UNEF
18	1.1250 - 18UNEF	57.8	34.0	1.0000 - 20UNEF
20	1.2500 - 18UNEF	58.1	37.2	1.1875 - 18UNEF
22	1.3750 - 18UNEF	58.1	40.4	1.1875 - 18UNEF
24	1.5000 - 18UNEF	59.7	43.5	1.4375 - 18UNEF
28	1.7500 - 18UNS	66.2	49.9	1.4375 - 18UNEF
32	2.0000 - 18UNS	71.3	56.0	1.7500 - 18UNS
36	2.2500 - 16UN	76.8	62.5	2.0000 - 18UNS
40	2.5000 - 16UN	76.8	69.0	2.2500 - 16UN

Connettore da cavo diritto.
Fornito completo di adattatore per serracavo
MS 3057-XX A/B/C.

Straight plug.
Includes backshell for MS 057-XX A/B/C cable
clamp.
No grommet supplied.

IT 3106 A ... PG__ / IT 3106 R ... PG__
 IT 4106 A ... PG__ / IT 4106 R... PG__

Connettore volante diritto
Straight plug



Es. / Ex. : IT3106A20-27PPG16

Dimensione Guscio Shell Size	Filetto A A thread	L Max.	Q ±0.2	Filetto PG PG thread
10 SL	0.6250 - 24UNEF	50.0	24.1	7 / 9 / 11
12 S	0.7500 - 20UNEF	50.0	25.0	7 / 9 / 11
12	0.7500 - 20UNEF	61.0	25.0	7 / 9 / 11
14 S	0.8750 - 20UNEF	52.5	28.0	9 / 11 / 13.5
14	0.8750 - 20UNEF	61.0	28.0	9 / 11 / 13.5
16 S	1.0000 - 20UNEF	52.5	31.5	11 / 13.5 / 16
16	1.0000 - 20UNEF	61.0	31.5	11 / 13.5 / 16
18	1.1250 - 18UNEF	66.5	34.0	13.5 / 16 / 21
20	1.2500 - 18UNEF	69.5	37.2	13.5 / 16 / 21
22	1.3750 - 18UNEF	69.5	40.4	13.5 / 16 / 21
24	1.5000 - 18UNEF	71.5	43.5	16 / 21 / 29
28	1.7500 - 18UNS	76.5	49.9	16 / 21 / 29
32	2.0000 - 18UNS	82.5	56.0	16 / 21 / 29
36	2.2500 - 16UN	87.5	62.5	21 / 29 / 36
40	2.5000 - 16UN	92.5	69.0	21 / 29 / 36

Connettore da cavo diritto con custodia per serracavo PG, non incluso.

Altri tipi di PG possono essere forniti nelle varie taglie a richiesta.

Nella versione in classe R è fornito completo di zoccolo isolante.

Classe A: senza zoccolo

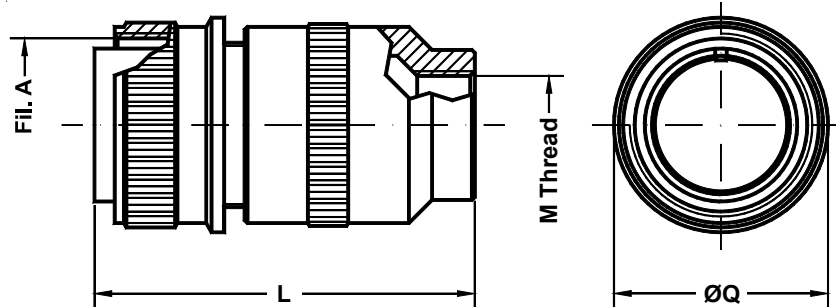
Straight plug with backshell for use with PG cable glands (not included).

Other types of PG adaptors can be supplied in various sizes upon request.

Class R includes a wire sealing grommet.

Class A: no grommet supplied

Connettore volante diritto
Straight plug



Es. / Ex. : IT3106A20-27PFM20

Dimensione Guscio Shell Size	Filetto A A thread	L Max	Q ±0.2	Filetto M M thread
10	0.6250 - 24UNEF	50.0	24.1	M12X1,5
12 S	0.7500 - 20UNEF	50.0	25.0	M12X1,5
12	0.7500 - 20UNEF	61.0	25.0	M12X1,5
14 S	0.8750 - 20UNEF	52.5	28.0	M16X1,5
14	0.8750 - 20UNEF	61.0	28.0	M16X1,5
16 S	1.0000 - 20UNEF	52.5	31.5	M16X1,5
16	1.0000 - 20UNEF	61.0	31.5	M16X1,5
18	1.1250 - 18UNEF	66.5	34.0	M20X1,5
20	1.2500 - 18UNEF	69.5	37.2	M25X1,5
22	1.3750 - 18UNEF	69.5	40.4	M25X1,5
24	1.5000 - 18UNEF	71.5	43.5	M32X1,5
28	1.7500 - 18UNS	76.5	49.9	M32X1,5
32	2.0000 - 18UNS	82.5	56.0	M36X1,5
36	2.2500 - 16UN	87.5	62.5	M40X1,5
40	2.5000 - 16UN	92.5	69.0	M48X1,5

Connettore da cavo diritto con custodia per serracavo metrico, non incluso.

Altri tipi di adattatori possono essere forniti nelle varie taglie a richiesta.

Nella versione in classe R è fornito completo di zoccolo isolante.

Classe A: senza zoccolo

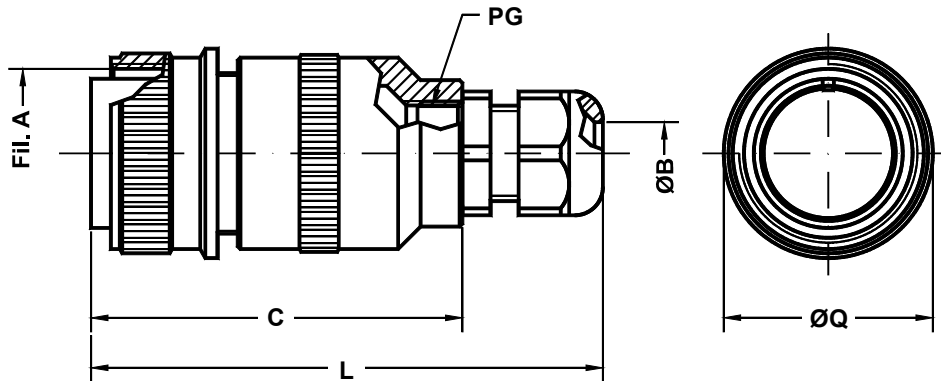
Straight plug with backshell for use with metric cable glands (not included).

Other types of adaptors can be supplied in various sizes upon request.

Class R includes a wire sealing grommet.

Class A: no grommet supplied

Connettore volante diritto
Straight plug



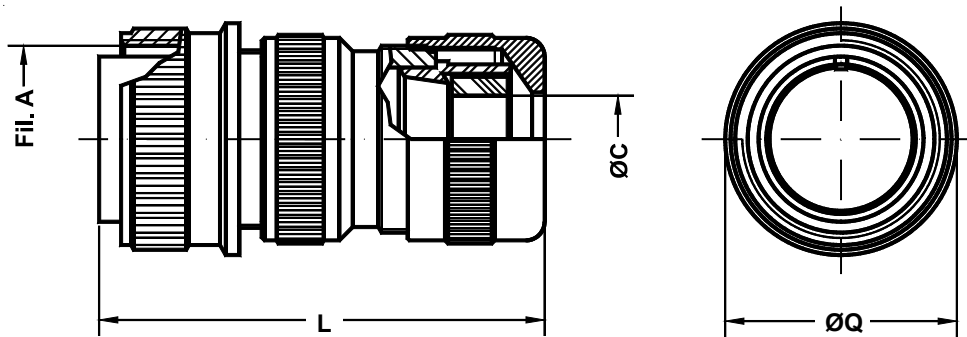
Es. / Ex. : IT3106A20-27PPH16

Dimensione Guscio Shell Size	Filetto A A thread	B min. ÷ Max.	C Max.	L Max.	Q ±0.2	Filetto PG PG thread
10 SL	0.6250 - 24UNEF	3÷6.5 / 4÷8 / 5÷10	50.0	76.0	24.1	7 / 9 / 11
12 S	0.7500 - 20UNEF	3÷6.5 / 4÷8 / 5÷10	50.0	76.0	25.0	7 / 9 / 11
12	0.7500 - 20UNEF	3÷6.5 / 4÷8 / 5÷10	50.0	76.0	25.0	7 / 9 / 11
14 S	0.8750 - 20UNEF	5÷10 / 6÷12	52.5	81.5	28.0	11 / 13.5
14	0.8750 - 20UNEF	5÷10 / 6÷12	61.0	90.0	28.0	11 / 13.5
16 S	1.0000 - 20UNEF	4÷8 / 5÷10 / 9÷14	52.5	83.5	31.5	9 / 11 / 16
16	1.0000 - 20UNEF	4÷8 / 5÷10 / 9÷14	61.0	92.0	31.5	9 / 11 / 16
18	1.1250 - 18UNEF	4÷8 / 5÷10 / 9÷14 / 13÷18	66.5	101.5	34.0	9 / 11 / 16 / 21
20	1.2500 - 18UNEF	5÷10 / 9÷14 / 13÷18	69.5	104.5	37.2	11 / 16 / 21
22	1.3750 - 18UNEF	6÷12 / 9÷14 / 13÷18	69.5	104.5	40.4	13.5 / 16 / 21
24	1.5000 - 18UNEF	6÷12 / 9÷14 / 13÷18 / 15÷25	71.5	110.5	43.5	13.5 / 16 / 21 / 29
28	1.7500 - 18UNS	9÷14 / 13÷18 / 15÷25	76.5	115.5	49.9	16 / 21 / 29
32	2.0000 - 18UNS	13÷18 / 15÷25	82.5	121.5	56.0	21 / 29
36	2.2500 - 16UN	13÷18 / 15÷25 / 20÷32	87.5	136.5	62.5	21 / 29 / 36
40	2.5000 - 16UN	15÷25 / 20÷32	92.5	141.5	69.0	29 / 36

Connettore da cavo diritto con custodia e serracavo PG plastico.
Altri PG possono essere forniti nelle varie taglie a richiesta.

Straight plug with backshell and plastic PG cable gland.
Other types of PG backshells can be supplied in various sizes upon request.
No grommet supplied.

Connettore volante diritto
Straight plug



Es. / Ex. : IT3106A20-27PPHM11

Dimensione Guscio Shell Size	P.N. PHM	Filetto A A thread	C min. ÷ Max.	L Max.	Q ±0.2
10 SL	9	0.6250 - 24UNEF	2÷9	60	24.1
12 S	11	0.7500 - 20UNEF	2÷11	60	25.0
12	11	0.7500 - 20UNEF	2÷11	60	25.0
14 S	11	0.8750 - 20UNEF	2÷11	60	28.0
14	11	0.8750 - 20UNEF	2÷11	60	28.0
16 S	11	1.0000 - 20UNEF	2÷11	60	31.5
16	11	1.0000 - 20UNEF	2÷11	70	31.5
18	11 / 18	1.1250 - 18UNEF	2÷11 / 9÷16.5	70	34.0
20	11 / 18	1.2500 - 18UNEF	2÷11 / 9÷16.5	70	37.2
22	18	1.3750 - 18UNEF	9÷16.5	70	40.4
24	18 / 22 / 24	1.5000 - 18UNEF	9÷16.5 / 15÷20 / 19÷24	80	43.5
28	18 / 22 / 24	1.7500 - 18UNS	9÷16.5 / 15÷20 / 19÷24	80	49.9
32	22 / 24	2.0000 - 18UNS	15÷20 / 19÷24	80	56.0
36	35	2.2500 - 16UN	23÷35	95	62.5
40	35	2.5000 - 16UN	23÷35	95	69.0

Connettore da cavo diritto fornito completo di serracavo PHM.

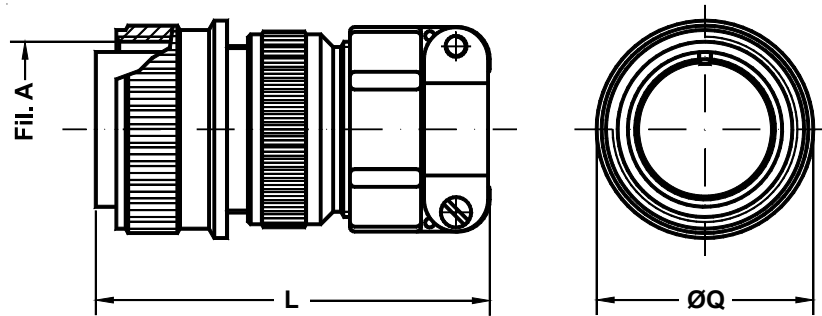
Garantisce una ottima tenuta meccanica sul cavo e ambientale se provvisto di appositi O-Ring.

Straight plug complete with a PHM cable clamp that assures an excellent mechanical and waterproof seal if used with the correct neoprene sealing sleeves.

No grommet supplied.

IT 3106 F
IT 4106 F

Connettore volante diretto
Straight plug



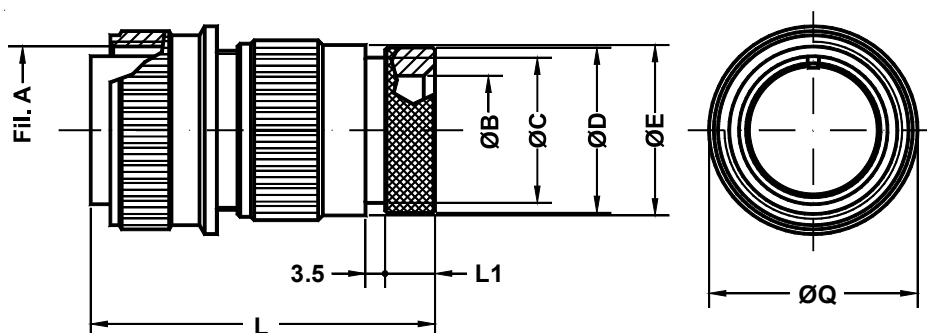
Es. / Ex. : IT3106F20-27P

Dimensione Guscio Shell Size	Filetto A A thread	L Max.	Q ±0.2
10 SL	0.6250 - 24UNEF	55.0	24.1
12 S	0.7500 - 20UNEF	55.0	25.0
12	0.7500 - 20UNEF	62.5	25.0
14 S	0.8750 - 20UNEF	58.4	28.0
14	0.8750 - 20UNEF	65.0	28.0
16 S	1.0000 - 20UNEF	60.4	31.5
16	1.0000 - 20UNEF	71.8	31.5
18	1.1250 - 18UNEF	77.8	34.0
20	1.2500 - 18UNEF	74.0	37.2
22	1.3750 - 18UNEF	74.0	40.4
24	1.5000 - 18UNEF	76.7	43.5
28	1.7500 - 18UNS	83.2	49.9
32	2.0000 - 18UNS	90.3	56.0
36	2.2500 - 16UN	96.8	62.5
40	2.5000 - 16UN	115.8	69.0

Connettore da cavo diretto.
Fornito completo di zoccolo isolante, adattatore
e serracavo MS 3057 classe A.

Straight plug.
Includes insulating grommet, backshell and
class A cable clamp MS 3057 type.

Connettore volante diretto
Straight plug



Es./ Ex. : IT3106G20-27P

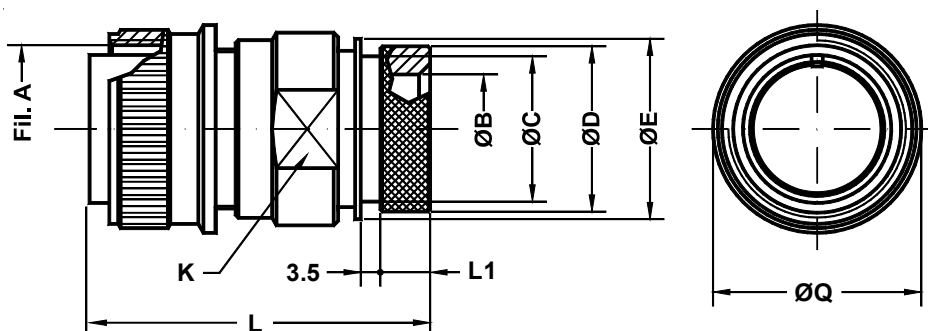
Dimensione Guscio Shell Size	Filetto A A thread	B min.	C ±0.1	D ±0.2	E ±0.2	L Max.	L1 ±0.1	Q ±0.2
10 SL	0.6250 - 24UNEF	8.5	13.0	15.5	17.0	52.7	8.2	24.1
12 S	0.7500 - 20UNEF	8.5	13.0	15.5	17.0	52.7	8.2	25.0
12	0.7500 - 20UNEF	8.5	13.0	15.5	17.0	57.5	8.2	25.0
14 S	0.8750 - 20UNEF	12.0	16.5	19.1	20.1	53.4	8.2	28.0
14	0.8750 - 20UNEF	12.0	16.5	19.1	20.1	55.0	8.2	28.0
16 S	1.0000 - 20UNEF	14.5	21.5	23.9	23.5	53.4	8.2	31.5
16	1.0000 - 20UNEF	14.5	21.5	23.9	23.5	65.8	8.0	31.5
18	1.1250 - 18UNEF	17.5	21.7	23.9	26.5	65.8	8.0	34.0
20	1.2500 - 18UNEF	19.5	26.0	29.6	30.5	66.1	8.9	37.2
22	1.3750 - 18UNEF	22.0	26.0	29.6	33.6	66.1	8.9	40.4
24	1.5000 - 18UNEF	25.0	34.5	37.8	36.1	65.7	9.2	43.5
28	1.7500 - 18UNS	29.0	34.3	37.8	41.4	66.2	9.2	49.9
32	2.0000 - 18UNS	34.0	43.6	47.8	48.6	73.8	11.7	56.0
36	2.2500 - 16UN	38.5	43.6	47.8	54.8	83.8	11.7	62.5
40	2.5000 - 16UN	48.0	52.6	57.8	60.9	83.8	11.7	69.0

Connettore da cavo diritto.
Fornito completo di zoccolo isolante e custodia
per preformato termorestringente.

Straight plug.
*Includes wire sealing grommet and backshell
for heat shrink tubing.*

IT 3106 GR
IT 4106 GR

Connettore volante diritto
Straight plug



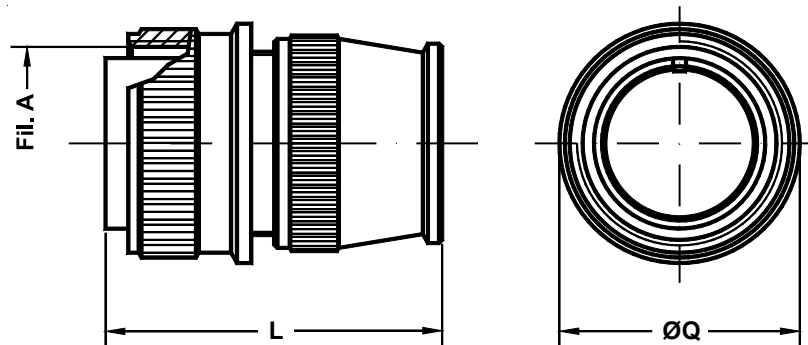
Es. / Ex. : IT3106GR20-27P

Dimensione Guscio Shell Size	Filetto A A thread	B min.	C ±0.1	D ±0.2	E ±0.2	Ch. K K key	L Max.	L1 ±0.1	Q ±0.2
10 SL	0.6250 - 24UNEF	8.5	13.0	15.5	17.0	20	52.7	8.2	24.1
12 S	0.7500 - 20UNEF	8.5	13.0	15.5	17.0	20	52.7	8.2	25.0
12	0.7500 - 20UNEF	8.5	13.0	15.5	17.0	20	57.5	8.2	25.0
14 S	0.8750 - 20UNEF	12.0	16.5	19.1	20.1	23	53.4	8.2	28.0
14	0.8750 - 20UNEF	12.0	16.5	19.1	20.1	23	55.0	8.2	28.0
16 S	1.0000 - 20UNEF	14.5	21.5	23.9	23.5	26	53.4	8.2	31.5
16	1.0000 - 20UNEF	14.5	21.5	23.9	23.5	26	65.8	8.0	31.5
18	1.1250 - 18UNEF	17.5	21.7	23.9	26.5	28	65.8	8.0	34.0
20	1.2500 - 18UNEF	19.5	26.0	29.6	30.5	32	66.1	8.9	37.2
22	1.3750 - 18UNEF	22.0	26.0	29.6	33.6	36	66.1	8.9	40.4
24	1.5000 - 18UNEF	25.0	34.5	37.8	36.1	39	65.7	9.2	43.5
28	1.7500 - 18UNS	29.0	34.3	37.8	41.4	46	66.2	9.2	49.9
32	2.0000 - 18UNS	34.0	43.6	47.8	48.6	52	73.8	11.7	56.0
36	2.2500 - 16UN	38.5	43.6	47.8	54.8	58	83.8	11.7	62.5
40	2.5000 - 16UN	48.0	52.6	57.8	60.9	65	83.8	11.7	69.0

Connettore da cavo diritto.
Fornito completo di zoccolo isolante e custodia
ispezionabile per preformato termorestringente.

Straight plug.
*Includes wire sealing grommet and backshell
with rotating clamp nut for heat shrink tubing.*

Connettore volante diretto
Straight plug



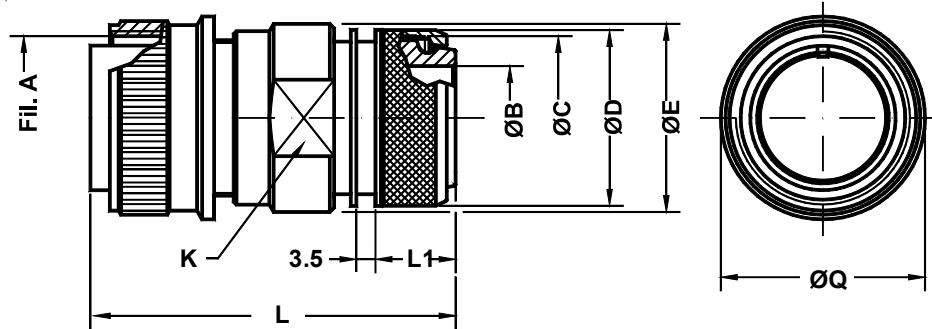
Es./ Ex. : IT3106R20-27P

Dimensione Guscio Shell Size	Filetto A A thread	L Max.	Q ±0.2
10 SL	0.6250 - 24UNEF	38.0	24.1
12 S	0.7500 - 20UNEF	38.0	25.0
12	0.7500 - 20UNEF	45.5	25.0
14 S	0.8750 - 20UNEF	47.5	28.0
14	0.8750 - 20UNEF	52.5	28.0
16 S	1.0000 - 20UNEF	45.5	31.5
16	1.0000 - 20UNEF	55.5	31.5
18	1.1250 - 18UNEF	55.5	34.0
20	1.2500 - 18UNEF	55.5	37.2
22	1.3750 - 18UNEF	55.5	40.4
24	1.5000 - 18UNEF	58.5	43.5
28	1.7500 - 18UNS	58.5	49.9
32	2.0000 - 18UNS	58.5	56.0
36	2.2500 - 16UN	58.5	62.5
40	2.5000 - 16UN	58.5	69.0

Connettore da cavo diretto.
Fornito completo di zoccolo isolante e custodia
posteriore. Utilizzato con fili singoli.

Straight plug.
Includes wire sealing grommet and backshell.
For use with individual wires.

Connettore volante diritto
Straight plug



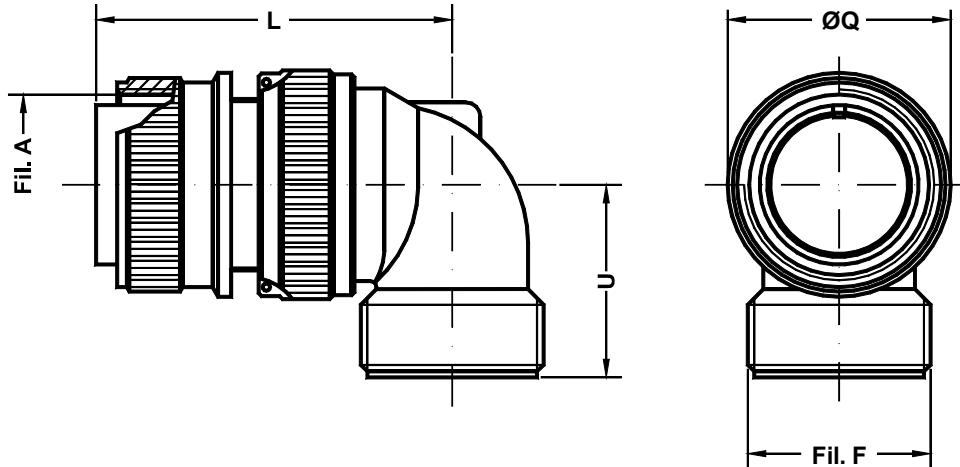
Es. / Ex. : IT3106SP20-27P

Dimensione Guscio Shell Size	Filetto A A thread	B min.	C ±0.1	D ±0.2	E ±0.2	Ch. K K key	L Max.	L1 ±0.1	Q ±0.2
10 SL	0.6250 - 24UNEF	8.5	13.0	15.5	17.0	20	52.7	8.2	24.1
12 S	0.7500 - 20UNEF	8.5	13.0	15.5	17.0	20	52.7	8.2	25.0
12	0.7500 - 20UNEF	8.5	13.0	15.5	17.0	20	57.5	8.2	25.0
14 S	0.8750 - 20UNEF	12.0	16.5	19.1	20.1	23	53.4	8.2	28.0
14	0.8750 - 20UNEF	12.0	16.5	19.1	20.1	23	55.0	8.2	28.0
16 S	1.0000 - 20UNEF	14.5	21.5	23.9	23.5	26	53.4	8.2	31.5
16	1.0000 - 20UNEF	14.5	21.5	23.9	23.5	26	65.8	8.0	31.5
18	1.1250 - 18UNEF	17.5	21.7	23.9	26.5	28	65.8	8.0	34.0
20	1.2500 - 18UNEF	19.5	26.0	29.6	30.5	32	66.1	8.9	37.2
22	1.3750 - 18UNEF	22.0	26.0	29.6	33.6	36	66.1	8.9	40.4
24	1.5000 - 18UNEF	25.0	34.5	37.8	36.1	39	65.7	9.2	43.5
28	1.7500 - 18UNS	29.0	34.3	37.8	41.4	46	66.2	9.2	49.9
32	2.0000 - 18UNS	34.0	43.6	47.8	48.6	52	73.8	11.7	56.0
36	2.2500 - 16UN	38.5	43.6	47.8	54.8	58	83.8	11.7	62.5
40	2.5000 - 16UN	48.0	52.6	57.8	60.9	65	83.8	11.7	69.0

Connettore da cavo diritto.
Fornito completo di zoccolo isolante e custodia ispezionabile per guaina termorestringente e raccolta di calza schermo.

Straight plug.
Includes wire sealing grommet and backshell with rotating clamp nut. Shielded cable is terminated with a "braid trap" nut and heat shrink tubing (optional).

Connettore volante 90°
90° plug



Es. / Ex. : IT3108A20-27P

Dimensione Guscio Shell Size	Filetto A A thread	Filetto F F thread	L Max.	Q ±0.2	U ±0.2
10 SL	0.6250 - 24UNEF	0.6250 - 24UNEF	40	24.1	25.0
12 S	0.7500 - 20UNEF	0.6250 - 24UNEF	40	25.0	25.0
12	0.7500 - 20UNEF	0.6250 - 24UNEF	50	25.0	25.0
14 S	0.8750 - 20UNEF	0.7500 - 20UNEF	42	28.0	26.5
14	0.8750 - 20UNEF	0.7500 - 20UNEF	52	28.0	26.5
16 S	1.0000 - 20UNEF	0.8750 - 20UNEF	46	31.5	27.0
16	1.0000 - 20UNEF	0.8750 - 20UNEF	55	31.5	27.0
18	1.1250 - 18UNEF	1.0000 - 20UNEF	57	34.0	30.0
20	1.2500 - 18UNEF	1.1875 - 18UNEF	62	37.2	32.0
22	1.3750 - 18UNEF	1.1875 - 18UNEF	62	40.4	32.0
24	1.5000 - 18UNEF	1.4375 - 18UNEF	67	43.5	37.0
28	1.7500 - 18UNS	1.4375 - 18UNEF	67	49.9	38.0
32	2.0000 - 18UNS	1.7500 - 18UNS	72	56.0	45.5
36	2.2500 - 16UN	2.0000 - 18UNS	75	62.5	47.2
40	2.5000 - 16UN	2.2500 - 16UN	78	69.0	52.0

Connettore volante con uscita cavo a 90°.
Nella versione in classe R è fornito completo di
zoccolo isolante.

Classe A: senza zoccolo

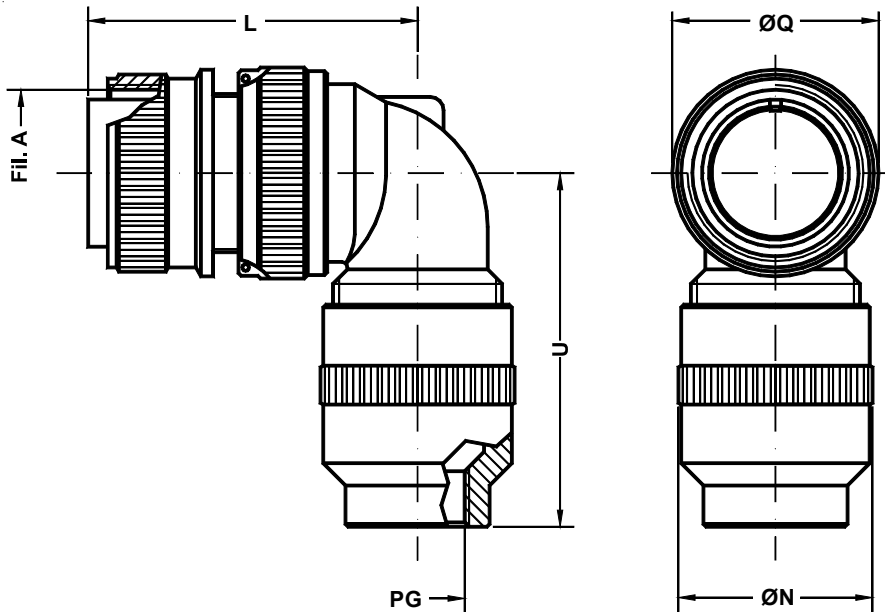
Plug with 90° backshell.

Class R includes a wire sealing grommet.

Class A: no grommet supplied

IT 3108 A ... PG__ / IT 3108 R ... PG__
 IT 4108 A ... PG__ / IT 4108 R ... PG__

Connettore volante 90°
90° plug



Es. / Ex. : IT3108A20-27PPG16

Dimensione Guscio Shell Size	Filetto A A thread	L Max.	N Max.	Filetto PG PG thread	Q ±0.2	U Max.
10 SL	0.6250 - 24UNEF	40	25	7 / 9 / 11	24.1	50.0
12 S	0.7500 - 20UNEF	40	25	7 / 9 / 11	25.0	50.0
12	0.7500 - 20UNEF	50	25	7 / 9 / 11	25.0	50.0
14 S	0.8750 - 20UNEF	42	26	9 / 11 / 13.5	28.0	51.0
14	0.8750 - 20UNEF	52	26	9 / 11 / 13.5	28.0	51.0
16 S	1.0000 - 20UNEF	46	26	11 / 13.5 / 16	31.5	51.5
16	1.0000 - 20UNEF	55	26	11 / 13.5 / 16	31.5	51.5
18	1.1250 - 18UNEF	57	33	13.5 / 16 / 21	34.0	54.5
20	1.2500 - 18UNEF	62	43	13.5 / 16 / 21	37.2	56.5
22	1.3750 - 18UNEF	62	43	13.5 / 16 / 21	40.4	56.5
24	1.5000 - 18UNEF	67	45	16 / 21 / 29	43.5	61.5
28	1.7500 - 18UNS	67	45	16 / 21 / 29	49.9	62.5
32	2.0000 - 18UNS	72	51	16 / 21 / 29	56.0	75.0
36	2.2500 - 16UN	75	58	21 / 29 / 36	62.5	82.7
40	2.5000 - 16UN	78	63	21 / 29 / 36	69.0	87.5

Connettore volante con uscita cavo a 90° e adattatore per serracavo PG, non incluso. Altri tipi di PG possono essere forniti nelle varie taglie a richiesta.

Nella versione in classe R è fornito completo di zoccolo isolante.

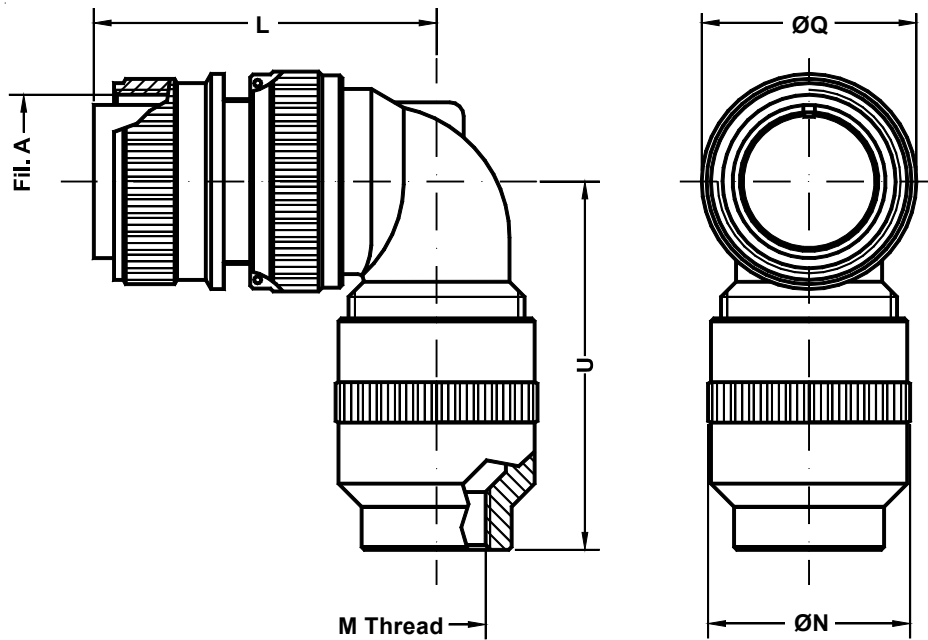
Classe A: senza zoccolo

Plug with 90° backshell and adaptor for use with PG cable glands (not included). Other types of PG adaptors can be supplied in various sizes upon request.

Class R includes a wire sealing grommet.

Class A: no grommet supplied

Connettore volante 90°
90° plug



Es. / Ex : IT3108A20-27PFM20

Dimensione Guscio Shell Size	Filetto A A thread	L Max	N Max	Filetto M M thread	Q ±0.2	U Max
10	0.6250 - 24UNEF	40	25	M12X1,5	24.1	50.0
12 S	0.7500 - 20UNEF	40	25	M12X1,5	25.0	50.0
12	0.7500 - 20UNEF	50	25	M12X1,5	25.0	50.0
14 S	0.8750 - 20UNEF	42	26	M16X1,5	28.0	51.0
14	0.8750 - 20UNEF	52	26	M16X1,5	28.0	51.0
16 S	1.0000 - 20UNEF	46	26	M16X1,5	31.5	51.5
16	1.0000 - 20UNEF	55	26	M16X1,5	31.5	51.5
18	1.1250 - 18UNEF	57	33	M20X1,5	34.0	54.5
20	1.2500 - 18UNEF	62	43	M25X1,5	37.2	56.5
22	1.3750 - 18UNEF	62	43	M25X1,5	40.4	56.5
24	1.5000 - 18UNEF	67	45	M32X1,5	43.5	61.5
28	1.7500 - 18UNS	67	45	M32X1,5	49.9	62.5
32	2.0000 - 18UNS	72	51	M36X1,5	56.0	75.0
36	2.2500 - 16UN	75	58	M40X1,5	62.5	82.7
40	2.5000 - 16UN	78	63	M48X1,5	69.0	87.5

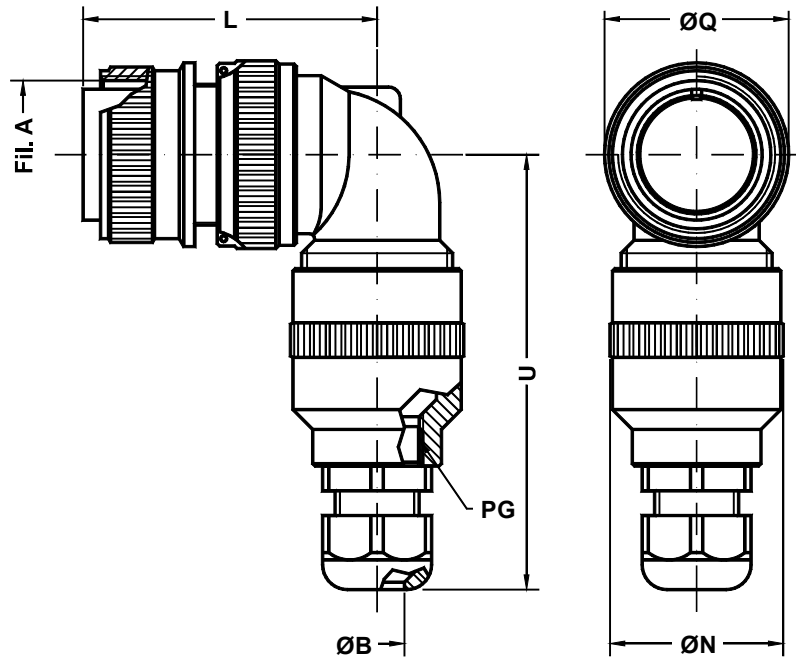
Connettore volante con uscita cavo a 90° e adattatore per serracavo metrico, non incluso. Altri tipi di adattatori possono essere forniti nelle varie taglie a richiesta.

Fornito senza zoccolo isolante.

Plug with 90° backshell and adaptor for use with metric cable glands (not included). Other types of adaptors can be supplied in various sizes upon request.

No grommet supplied.

Connettore volante 90°
90° plug



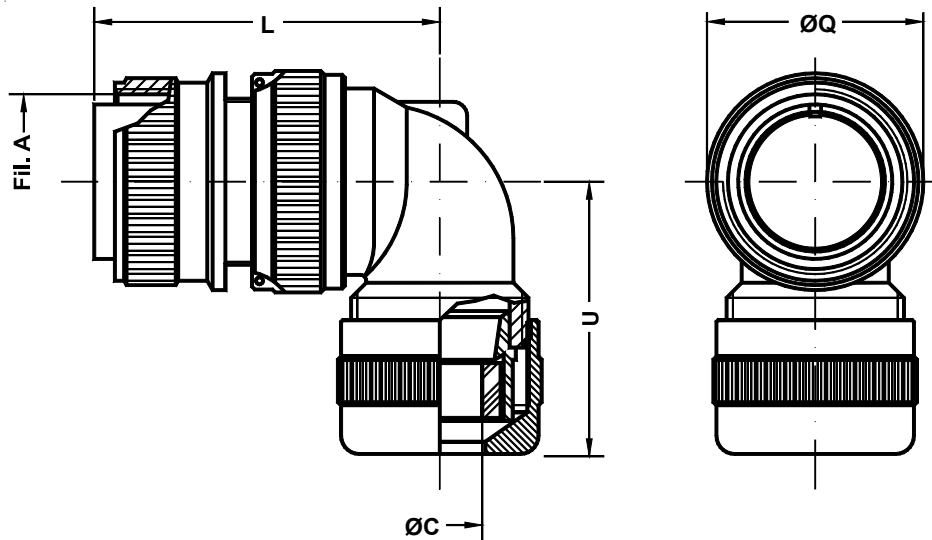
Es. / Ex. : IT3108A20-27PPH16

Dimensione Guscio Shell Size	Filetto A A thread	B min.+Max.	L Max.	N Max.	Filetto PG PG thread	Q ±0.2	U Max.
10 SL	0.6250 - 24UNEF	3÷6.5 / 4÷8 / 5÷10	40	25	7 / 9 / 11	24.1	80.0
12 S	0.7500 - 20UNEF	3÷6.5 / 4÷8 / 5÷10	40	25	7 / 9 / 11	25.0	80.0
12	0.7500 - 20UNEF	3÷6.5 / 4÷8 / 5÷10	50	25	7 / 9 / 11	25.0	80.0
14 S	0.8750 - 20UNEF	5÷10 / 9÷14	42	26	11 / 16	28.0	82.0
14	0.8750 - 20UNEF	5÷10 / 9÷14	52	26	11 / 16	28.0	82.0
16 S	1.0000 - 20UNEF	5÷10 / 9÷14	46	26	11 / 16	31.5	82.5
16	1.0000 - 20UNEF	5÷10 / 9÷14	55	26	11 / 16	31.5	82.5
18	1.1250 - 18UNEF	5÷10 / 6÷12 / 9÷14 / 13÷18	57	33	11 / 13,5 / 16 / 21	34.0	89.5
20	1.2500 - 18UNEF	9÷14 / 13÷18 / 15÷25	62	43	16 / 21 / 29	37.2	95.5
22	1.3750 - 18UNEF	9÷14 / 13÷18 / 15÷25	62	43	16 / 21 / 29	40.4	95.5
24	1.5000 - 18UNEF	9÷14 / 13÷18 / 15÷25	67	45	16 / 21 / 29	43.5	100.5
28	1.7500 - 18UNS	9÷14 / 13÷18 / 15÷25	67	45	16 / 21 / 29	49.9	101.5
32	2.0000 - 18UNS	13÷18 / 15÷25	72	51	21 / 29	56.0	114.0
36	2.2500 - 16UN	13÷18 / 15÷25	75	58	21 / 29	62.5	121.7
40	2.5000 - 16UN	13÷18 / 15÷25 / 20÷32	78	63	21 / 29 / 36	69.0	136.5

Connettore volante con uscita cavo a 90°, con custodia e serracavo PG plastico. Altri PG possono essere forniti nelle varie taglie a richiesta.

Plug with 90° backshell and plastic PG cable gland. Other types of PG backshells can be supplied in various sizes upon request. No grommet supplied.

Connettore volante 90°
90° plug



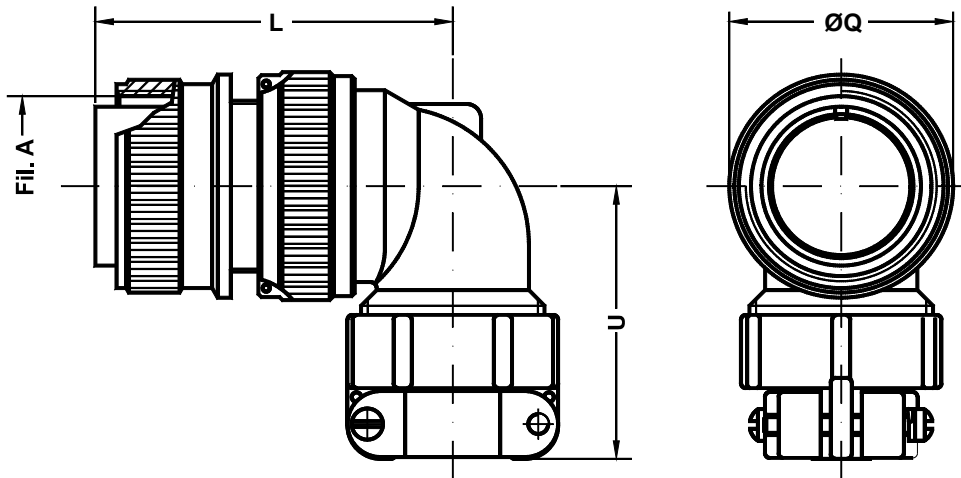
Es. / Ex. : ITS3108A20-27PPHM11

Dimensione Guscio Shell Size	P.N. PHM	Filetto A A thread	C min. ÷ Max.	L Max.	Q ±0.2	U Max.
10 SL	9	0.6250 - 24UNEF	2÷9	40	24.1	40.0
12 S	11	0.7500 - 20UNEF	2÷11	40	25.0	40.0
12	11	0.7500 - 20UNEF	2÷11	50	25.0	40.0
14 S	11	0.8750 - 20UNEF	2÷11	42	28.0	41.5
14	11	0.8750 - 20UNEF	2÷11	52	28.0	41.5
16 S	11	1.0000 - 20UNEF	2÷11	46	31.5	40.0
16	11	1.0000 - 20UNEF	2÷11	55	31.5	40.0
18	11 / 18	1.1250 - 18UNEF	2÷11 / 9÷16.5	57	34.0	47.0
20	11 / 18	1.2500 - 18UNEF	2÷11 / 9÷16.5	62	37.2	49.0
22	18	1.3750 - 18UNEF	9÷16.5	62	40.4	49.0
24	18 / 22 / 24	1.5000 - 18UNEF	9÷16.5 / 15÷20 / 19÷24	67	43.5	58.0
28	18 / 22 / 24	1.7500 - 18UNS	9÷16.5 / 15÷20 / 19÷24	67	49.9	59.0
32	22 / 24	2.0000 - 18UNS	15÷20 / 19÷24	72	56.0	70.5
36	35	2.2500 - 16UN	23÷35	75	62.5	72.2
40	35	2.5000 - 16UN	23÷35	78	69.0	77.0

Connettore volante con uscita cavo a 90° completo di serracavo PHM. Garantisce una ottima tenuta meccanica sul cavo e ambientale se provvisto di appositi O-Ring.

*Plug with 90° backshell.
Includes a PHM cable clamp that assures an excellent mechanical and waterproof seal if used with the correct neoprene sealing sleeves.
No grommet supplied.*

Connettore volante 90°
90° plug



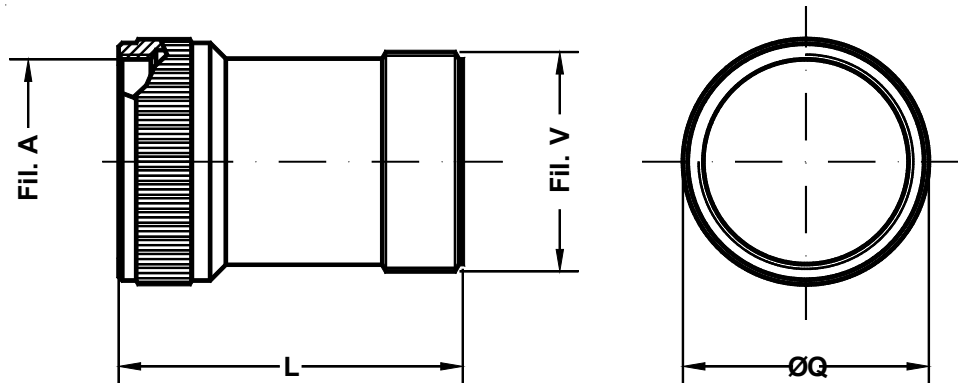
Es. / Ex. : IT3108F20-27P

Dimensione Guscio Shell Size	Filetto A A thread	L Max.	Q ±0.2	U Max.
10 SL	0.6250 - 24UNEF	40	24.1	36.0
12 S	0.7500 - 20UNEF	40	25.0	36.0
12	0.7500 - 20UNEF	50	25.0	36.0
14 S	0.8750 - 20UNEF	42	28.0	38.5
14	0.8750 - 20UNEF	52	28.0	38.5
16 S	1.0000 - 20UNEF	46	31.5	41.0
16	1.0000 - 20UNEF	55	31.5	41.0
18	1.1250 - 18UNEF	57	34.0	50.0
20	1.2500 - 18UNEF	62	37.2	48.0
22	1.3750 - 18UNEF	62	40.4	48.0
24	1.5000 - 18UNEF	67	43.5	54.0
28	1.7500 - 18UNS	67	49.9	55.0
32	2.0000 - 18UNS	72	56.0	64.5
36	2.2500 - 16UN	75	62.5	67.2
40	2.5000 - 16UN	78	69.0	91.0

Connettore volante con uscita cavo a 90°.
Fornito completo di zoccolo isolante e
serracavo MS 3057 classe A.

*Plug complete with 90° backshell.
Includes insulating grommet and class A
cable clamp MS 3057 type.*

Custodia lunga per connettori volanti
Long backshell for plug connectors

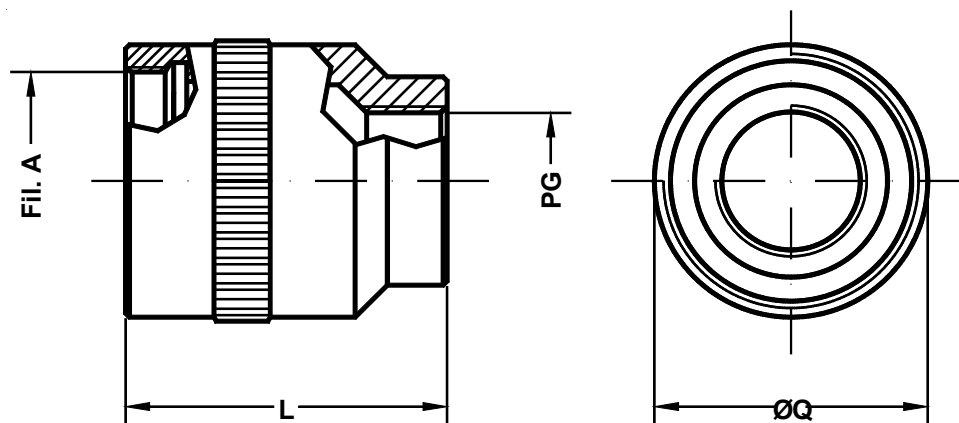


Dimensione Guscio <i>Shell Size</i>	Filetto A <i>A thread</i>	L Max.	Q ±0.2	Filetto V <i>V thread</i>
10 SL	0.6250 - 24UNEF	50.0	20.0	0.6250 - 24UNEF
12 S - 12	0.6250 - 24UNEF	50.0	20.0	0.6250 - 24UNEF
14 S - 14	0.7500 - 20UNEF	50.0	23.0	0.7500 - 20UNEF
16 S	0.8750 - 20UNEF	50.0	25.0	0.8750 - 20UNEF
16	0.8750 - 20UNEF	54.0	25.0	0.8750 - 20UNEF
18	1.0000 - 20UNEF	56.0	29.5	1.0000 - 20UNEF
20	1.1250 - 18UNEF	56.0	32.0	1.1875 - 18UNEF
22	1.2500 - 18UNEF	56.0	35.0	1.1875 - 18UNEF
24	1.3750 - 18UNEF	56.0	38.5	1.4375 - 18UNEF
28	1.6250 - 18UNEF	61.0	45.0	1.4375 - 18UNEF
32	1.8750 - 16UN	61.0	53.2	1.7500 - 18UNS
36	2.0625 - 16UN	61.0	57.4	2.0000 - 18UNS
40	2.3125 - 16UN	61.0	63.2	2.2500 - 16UN

Viene utilizzata in sostituzione della custodia standard onde agevolare il cablaggio.

This backshell is used instead of the standard one in order to make the wiring easier.

Raccordo PG PG adaptor

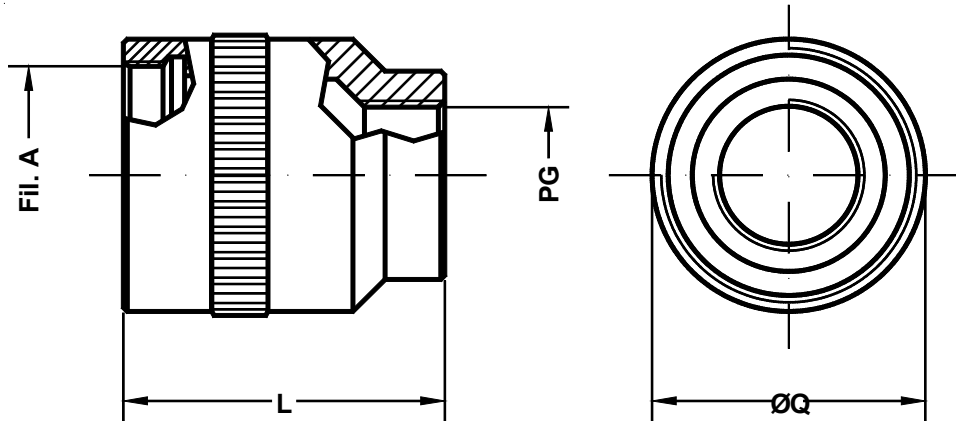


Dimensione Guscio Shell Size	Filetto A A thread	L Max.	Q Max.	Filetto PG PG thread
10 SL	0.6250 - 24UNEF	30.0	22.5	7 / 9 / 11
12 S - 12	0.6250 - 24UNEF	30.0	22.5	7 / 9 / 11
14 S - 14	0.7500 - 20UNEF	32.0	23.5	9 / 11 / 13.5
16 S	0.8750 - 20UNEF	32.0	25.5	11 / 13.5 / 16
16	0.8750 - 20UNEF	32.0	25.5	11 / 13.5 / 16
18	1.0000 - 20UNEF	40.0	30.5	13.5 / 16 / 21
20	1.1250 - 18UNEF	42.0	35.5	13.5 / 16 / 21
22	1.2500 - 18UNEF	42.0	35.5	13.5 / 16 / 21
24	1.3750 - 18UNEF	42.0	40.5	16 / 21 / 29
28	1.6250 - 18UNEF	47.0	45.5	16 / 21 / 29
32	1.8750 - 16UN	52.0	52.5	16 / 21 / 29
36	2.0625 - 16UN	57.0	60.0	21 / 29 / 36
40	2.3125 - 16UN	62.0	63.5	21 / 29 / 36

Raccordo per serracavo PG per connettori
diritti in classe A.

Adaptor for PG cable gland for use with class
A straight plugs.

Raccordo PG *PG adaptor*

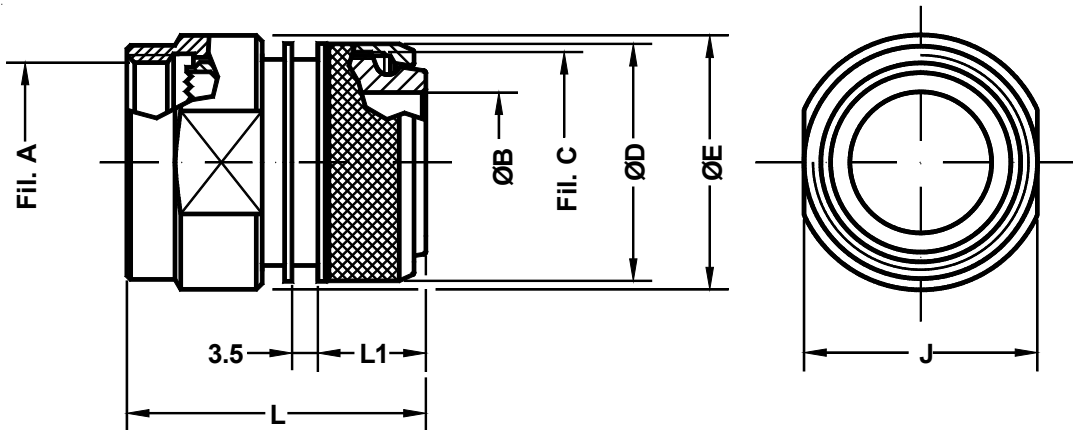


Dimensione Guscio <i>Shell Size</i>	Filetto A <i>A thread</i>	L Max.	Q Max.	Filetto PG <i>PG thread</i>
10 SL	0.6250 - 24UNEF	30.0	22.5	7 / 9 / 11
12 S - 12	0.6250 - 24UNEF	30.0	22.5	7 / 9 / 11
14 S - 14	0.7500 - 20UNEF	32.0	23.5	9 / 11 / 13.5
16 S	0.8750 - 20UNEF	32.0	25.5	11 / 13.5 / 16
16	0.8750 - 20UNEF	32.0	25.5	11 / 13.5 / 16
18	1.0000 - 20UNEF	40.0	30.5	13.5 / 16 / 21
20	1.1875 - 18UNEF	42.0	35.5	13.5 / 16 / 21
22	1.1875 - 18UNEF	42.0	35.5	13.5 / 16 / 21
24	1.4375 - 18UNEF	42.0	40.5	16 / 21 / 29
28	1.4375 - 18UNEF	47.0	45.5	16 / 21 / 29
32	1.7500 - 18UNS	52.0	52.5	16 / 21 / 29
36	2.0000 - 18UNS	57.0	60.0	21 / 29 / 36
40	2.2500 - 16UN	62.0	63.5	21 / 29 / 36

Raccordo per serracavo con filetto PG per
connettori curvi in classe A.

*Adaptor for PG cable gland for use with
class A 90° plugs.*

Custodia per connettori volanti
Backshell for plug connectors

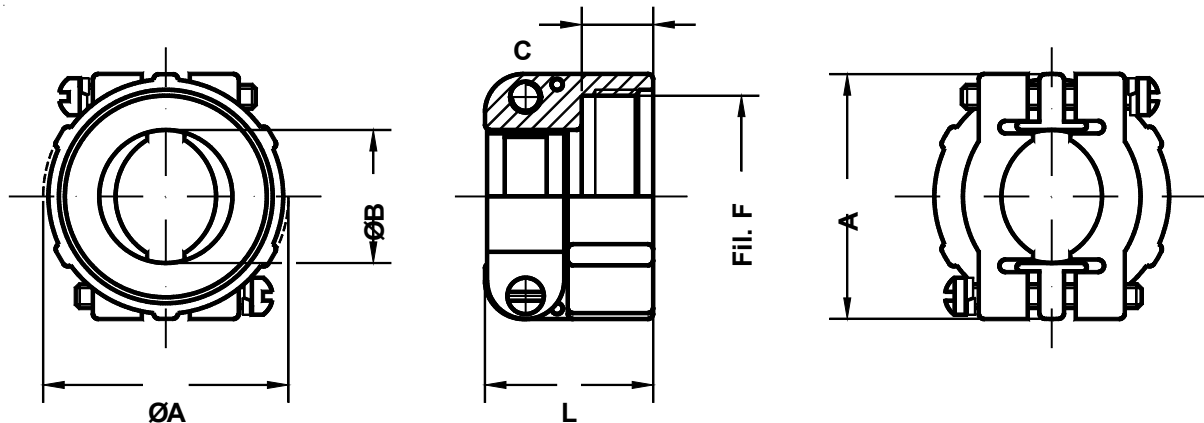


Glenair P/N	Dim. guscio Shell size	Filetto A A thread	ØB min.	Fil. C C thread	ØD ±0.2	ØE ±0.2	Ch. J J key	L Max.	L1 Max.
IT 37264-10SL	10 SL	0.6250 - 24UNEF	8.5	M16 x 1	18.5	22.0	20	35	13.5
IT 37264-14S	14 S	0.7500 - 20UNEF	12.0	M20 x 1	22.3	25.0	23	35	13.5
IT 37264-16S	16 S	0.8750 - 20UNEF	14.5	M23 x 1	25.3	28.0	26	35	14.6
IT 37264-16S	16	0.8750 - 20UNEF	14.5	M23 x 1	25.3	28.0	26	40	14.6
IT 37264-18	18	1.0000 - 20UNEF	17.5	M26 x 1	28.0	30.0	28	40	14.6
IT 37264-20	20	1.1250 - 18UNEF	19.5	M30 x 1	32.3	34.5	32	40	14.6
IT 37264-22	22	1.2500 - 18UNEF	22.0	M32 x 1	34.3	38.0	36	40	14.6
IT 37264-24	24	1.3750 - 18UNEF	25.0	M36 x 1	38.3	41.0	39	40	14.6
IT 37264-28	28	1.6250 - 18UNEF	29.0	M39 x 1	41.2	48.0	46	40	14.6
IT 37264-32	32	1.8750 - 16UN	34.0	M45 x 1	48.3	54.0	52	43	14.6
IT 37264-36	36	2.0625 - 16UN	38.5	M52 x 1	55.0	61.0	58	43	15.5
IT 37264-40	40	2.3125 - 16UN	48.0	M59 x 1	62.0	68.0	65	45	15.5

Custodia ispezionabile per guaina termorestringente e raccolta di calza schermo.

Backshell with rotating clamp nut for terminating shielded cable with a "braid trap" nut and heat shrink tubing.

Serracavo Cable clamp

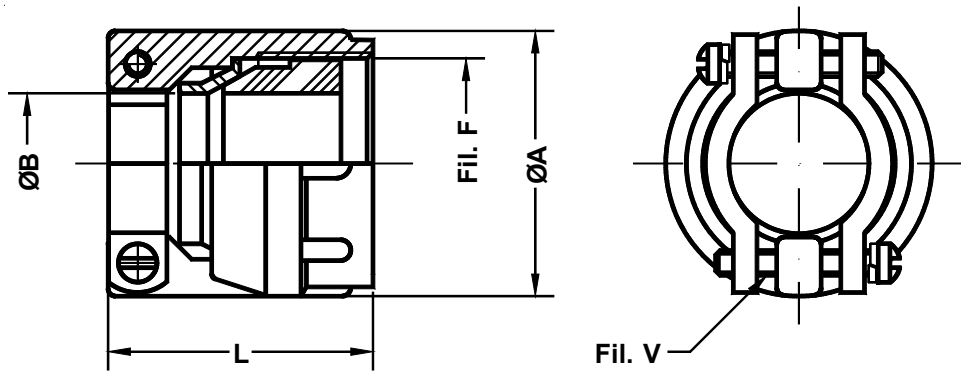


<i>Glenair P/N</i>	<i>Dimens. conn. Connector size</i>	<i>Bussola da utilizzare Sleeve to use</i>	A	B	C	<i>Filetto F F thread</i>	L
IT 3057 - 4A	10SL - 12 - 12S	IT3420 - 4	25	8.2	10.2	0.6250 - 24UNEF	21.0
IT 3057 - 6A	14 - 14S	IT3420 - 6	27	11.2	10.2	0.7500 - 20UNEF	22.2
IT 3057 - 8A	16 - 16S	IT3420 - 8	28	14.2	10.2	0.8750 - 20UNEF	24.0
IT 3057 - 10A	18	IT3420 - 10	33	16.0	10.2	1.0000 - 20UNEF	28.5
IT 3057 - 12A	20 - 22	IT3420 - 12	35	19.0	10.2	1.1875 - 18NEF	24.0
IT 3057 - 16A	24 - 28	IT3420 - 16	43	23.8	10.5	1.4375 - 18NEF	26.0
IT 3057 - 20A	32	IT3420 - 20	51	31.7	12.5	1.7500 - 18NS	28.0
IT 3057 - 24A	36	IT3420 - 24	58	35.0	14.0	2.0000 - 18NS	29.4
IT 3057 - 28A	40	IT3420 - 28	65	41.2	14.0	2.2500 - 16UN	42.8

Morsetto serracavo per tenuta meccanica su cavo multipolare sotto guaina.

General duty cable clamp suitable for jacketed or multipolar cable or wires protected by tubing.

Serracavo
Cable clamp

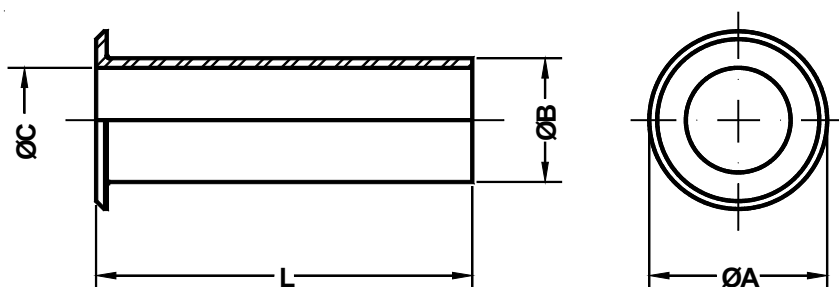


Glenair P/N	Dim. conn. Conn. size	Bussola da utilizzare Sleeve to use	A	B		Filetto F F thread	L	Filetto V V thread
				min.	Max.			
IT3057 - 4C	10SL - 12 - 12S	IT3420 - 4A	22.6	2.38	7.93	0.6250 - 24UNEF	32.3	6 - 32 NC
IT3057 - 6C	14 - 14S	IT3420 - 4A / 6A	25.8	5.84	11.12	0.7500 - 20UNEF	32.3	6 - 32 NC
IT3057 - 8C	16 - 16S	IT3420 - 6A / 8A	28.1	8.00	13.84	0.8750 - 20UNEF	32.3	6 - 32 NC
IT3057 - 10C	18	IT3420 - 6A / 10A	31.0	9.60	15.87	1.0000 - 20UNEF	35.3	6 - 32 NC
IT3057 - 12C	20 - 22	IT3420 - 8A / 12A	37.3	11.30	19.00	1.1875 - 18NEF	35.7	8 - 32 NC
IT3057 - 16C	24 - 28	IT3420 - 8A / 12A / 16A	42.0	15.50	23.80	1.4375 - 18NEF	38.5	8 - 32 NC
IT3057 - 20C	32	IT3420 - 12A / 16A / 20A	54.0	23.40	31.75	1.7500 - 18NS	44.8	250 - 20 NC
IT3057 - 24C	36	IT3420 - 16A / 18A / 24A	57.1	23.40	35.00	2.0000 - 18NS	51.6	250 - 20 NC
IT3057 - 28C	40	IT3420 - 16A / 20A / 28A	63.5	29.90	41.25	2.2500 - 16UN	51.6	250 - 20 NC

Morsetto serracavo a tenuta meccanica ed ambientale su cavo multipolare sotto guaina.

Waterproof cable clamp suitable for jacketed cable or wires protected by tubing. Assures watertight integrity of connector.

Bussola in neoprene
Neoprene sleeve

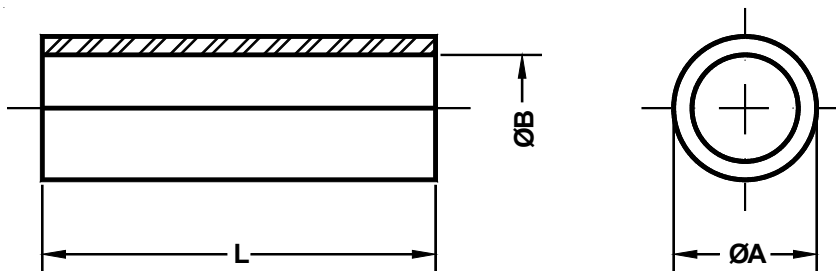


Part Number	ØA	ØB	ØC	L
IT 3420 - 4	12.8	7.7	5.6	69.9
IT 3420 - 6	15.7	10.8	7.9	66.7
IT 3420 - 8	18.9	14.0	11.1	63.5
IT 3420 - 10	22.6	15.6	14.3	60.3
IT 3420 - 12	27.5	18.8	15.9	57.2
IT 3420 - 16	33.4	23.5	19.1	54.0
IT 3420 - 20	40.6	31.5	23.8	50.8
IT 3420 - 24	46.9	34.7	31.8	47.6
IT 3420 - 28	53.0	41.0	34.9	44.5

IT3420-XX : Bussola di protezione e riduzione da usarsi con morsetto serracavo in classe A.

IT3420-XX : Neoprene sleeve for protection and reduction, used with class A cable clamps.

Bussola in neoprene
Neoprene sleeve

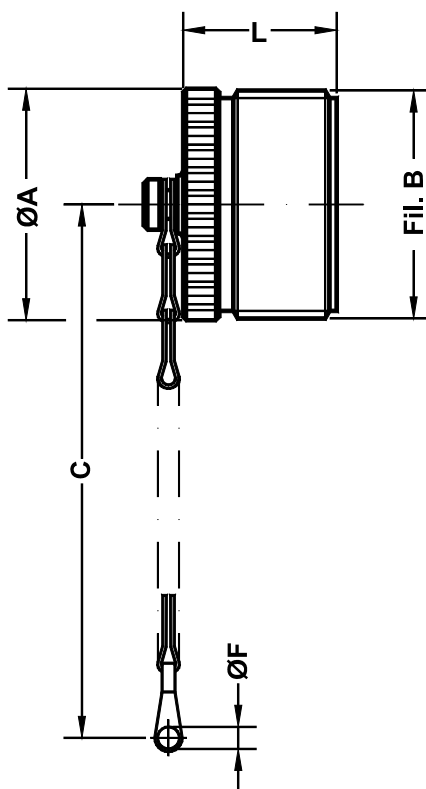
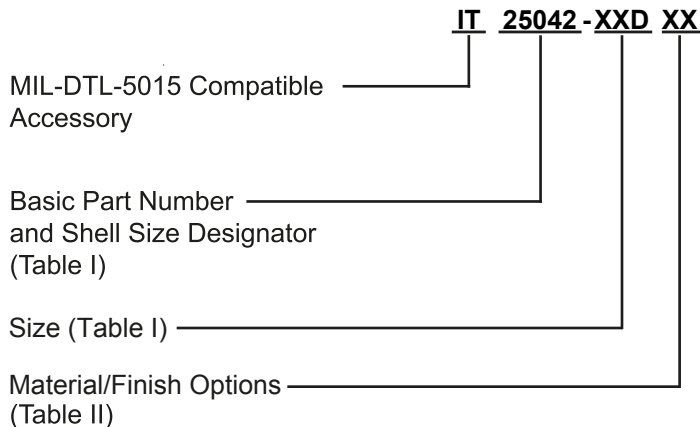


Part Number	ØA	ØB	L ±0.8
IT 3420 - 4A	7.7	5.6	50.8
IT 3420 - 6A	10.8	7.9	50.8
IT 3420 - 8A	13.5	11.1	50.8
IT 3420 - 10A	15.6	11.1	50.8
IT 3420 - 12A	18.8	13.7	50.8
IT 3420 - 16A	23.5	19.1	50.8
IT 3420 - 18A	28.3	23.8	50.8
IT 3420 - 20A	31.5	23.8	50.8
IT 3420 - 24A	34.7	28.6	50.8
IT 3420 - 28A	41.0	31.8	50.8

IT3420-XXA : Bussola di protezione e riduzione da usarsi con morsetto serracavo in classe C.

IT3420-XXA : Neoprene sleeve for protection and reduction, used with class C cable clamps.

Tappo a vite per connettori volanti
Threaded cap for plug connectors



Tappo metallico con catena in acciaio inox.

Metal cap with stainless steel chain.

IT 25042 - XXD

Tappo a vite per connettori volanti *Threaded cap for plug connectors*

TABLE I: CONNECTOR SIZE AND DIMENSIONS

Glenair P /N	Connector size	ØA	B Thread	C min.	ØF +0.25 -0.13	L
IT 25042 - 10D	10S - 10SL	17.4	0.6250 - 24UNEF	102	3.95	16.6
IT 25042 - 12D	12 - 12S	20.6	0.7500 - 20UNEF	115	3.95	21.4
IT 25042 - 14D	14 - 14S	23.7	0.8750 - 20UNEF	115	3.95	21.4
IT 25042 - 16D	16 - 16S	26.9	1.0000 - 20UNEF	115	3.95	21.4
IT 25042 - 18D	18	30.0	1.1250 - 18UNEF	115	3.95	21.4
IT 25042 - 20D	20	33.0	1.2500 - 18UNEF	127	4.80	21.4
IT 25042 - 22D	22	36.4	1.3750 - 18UNEF	127	4.80	21.4
IT 25042 - 24D	24	39.6	1.5000 - 18UNEF	140	4.80	21.4
IT 25042 - 28D	28	46.0	1.7500 - 18UNS	197	4.80	21.4
IT 25042 - 32D	32	52.0	2.0000 - 18UNS	197	5.60	21.4
IT 25042 - 36D	36	58.7	2.2500 - 16UN	197	5.60	21.4
IT 25042 - 40D	40	65.0	2.5000 - 16UN	197	5.60	21.4

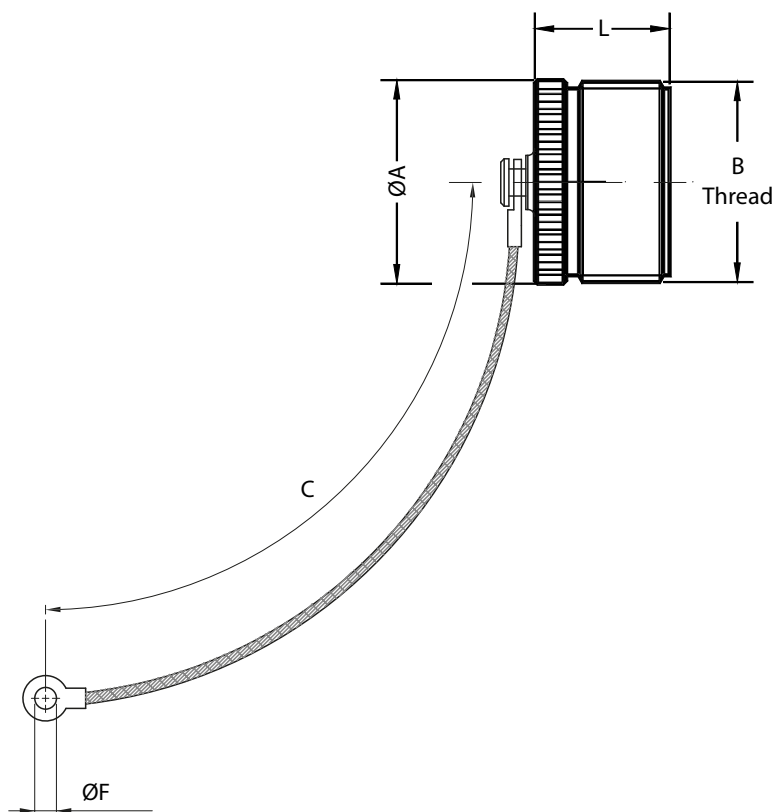
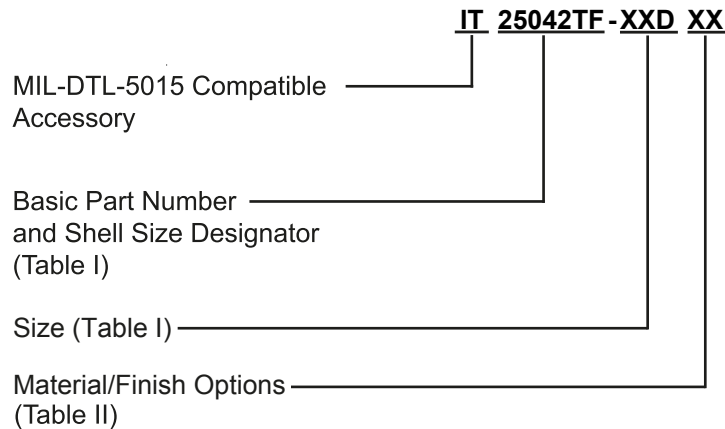
TABLE II

ALUMINUM FINISH OPTIONS (*)	
Sym	Description
F2	Bright Nickel Plating
F6	Black Electrodeposited Paint
F7	Black Zinc Nickel
F8	Olive Drab Zinc Nickel
Omit for standard version (Cadmium Olive Drab Finish)	
MATERIAL OPTIONS	
FK	Stainless Steel
MB	Marine Bronze

(*) For further finish options, please contact the factory.

Tappo metallico con catena in acciaio inox. *Metal cap with stainless steel chain.*

Tappo a vite per connettori volanti
Threaded cap for plug connectors



Tappo metallico con fune in acciaio inox.

Metal cap with stainless steel wire rope.

IT 25042TF - XXD

Tappo a vite per connettori volanti *Threaded cap for plug connectors*

TABLE I: CONNECTOR SIZE AND DIMENSIONS

Glenair P /N	Connector size	ØA	B Thread	C min.	ØF +0.2 -0	L
IT 25042TF - 10D	10S - 10SL	17.4	0.6250 - 24UNEF	193	4.30	16.6
IT 25042TF - 12D	12 - 12S	20.6	0.7500 - 20UNEF	193	4.30	21.4
IT 25042TF - 14D	14 - 14S	23.7	0.8750 - 20UNEF	193	4.30	21.4
IT 25042TF - 16D	16 - 16S	26.9	1.0000 - 20UNEF	193	4.30	21.4
IT 25042TF - 18D	18	30.0	1.1250 - 18UNEF	193	4.30	21.4
IT 25042TF - 20D	20	33.0	1.2500 - 18UNEF	193	4.30	21.4
IT 25042TF - 22D	22	36.4	1.3750 - 18UNEF	193	4.30	21.4
IT 25042TF - 24D	24	39.6	1.5000 - 18UNEF	193	4.30	21.4
IT 25042TF - 28D	28	46.0	1.7500 - 18UNS	193	5.30	21.4
IT 25042TF - 32D	32	52.0	2.0000 - 18UNS	193	5.30	21.4
IT 25042TF - 36D	36	58.7	2.2500 - 16UN	193	5.30	21.4
IT 25042TF - 40D	40	65.0	2.5000 - 16UN	193	5.30	21.4

TABLE II

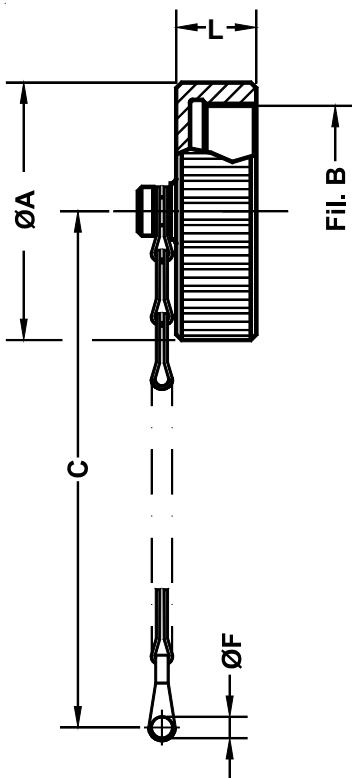
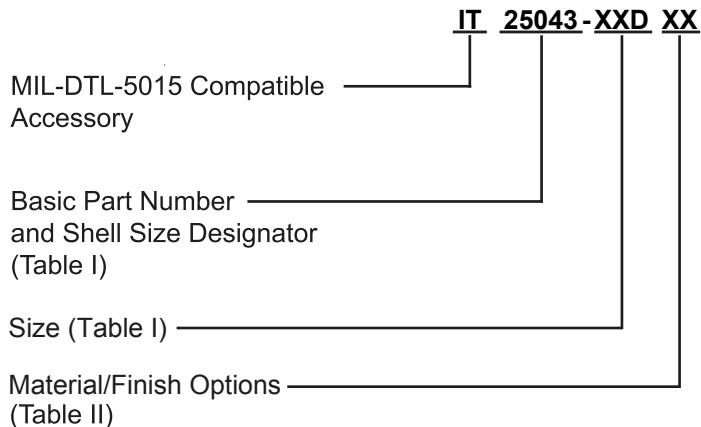
ALUMINUM FINISH OPTIONS (*)	
Sym	Description
F2	Bright Nickel Plating
F6	Black Electrodeposited Paint
F7	Black Zinc Nickel
F8	Olive Drab Zinc Nickel
Omit for standard version (Cadmium Olive Drab Finish)	
MATERIAL OPTIONS	
FK	Stainless Steel
MB	Marine Bronze

(*) For further finish options, please contact the factory.

Tappo metallico con fune in acciaio inox.

Metal cap with stainless steel wire rope.

Tappo a vite per connettori da pannello
Threaded cap for receptacle connectors



Tappo metallico con catena in acciaio inox. *Metal cap with stainless steel chain.*

IT 25043 - XXD

Tappo a vite per connettori da pannello Threaded cap for receptacle connectors

TABLE I: CONNECTOR SIZE AND DIMENSIONS

Glenair P /N	Connector size	ØA	B Thread	C min.	L	ØF +0.25 -0.13
IT 25043 - 10D	10S - 10SL	20.7	0.6250 - 24UNEF	102	11.9	3.55
IT 25043 - 12D	12 - 12S	25.4	0.7500 - 20UNEF	115	11.9	3.55
IT 25043 - 14D	14 - 14S	28.6	0.8750 - 20UNEF	115	11.9	3.55
IT 25043 - 16D	16 - 16S	30.2	1.0000 - 20UNEF	115	11.9	3.55
IT 25043 - 18D	18	34.1	1.1250 - 18UNEF	115	11.9	3.55
IT 25043 - 20D	20	37.3	1.2500 - 18UNEF	127	11.9	3.55
IT 25043 - 22D	22	40.4	1.3750 - 18UNEF	127	11.9	3.55
IT 25043 - 24D	24	43.6	1.5000 - 18UNEF	140	11.9	4.30
IT 25043 - 28D	28	50.0	1.7500 - 18UNS	197	13.5	4.30
IT 25043 - 32D	32	56.3	2.0000 - 18UNS	197	13.5	4.80
IT 25043 - 36D	36	62.7	2.2500 - 16UN	197	13.5	4.80
IT 25043 - 40D	40	69.0	2.5000 - 16UN	197	13.5	4.80

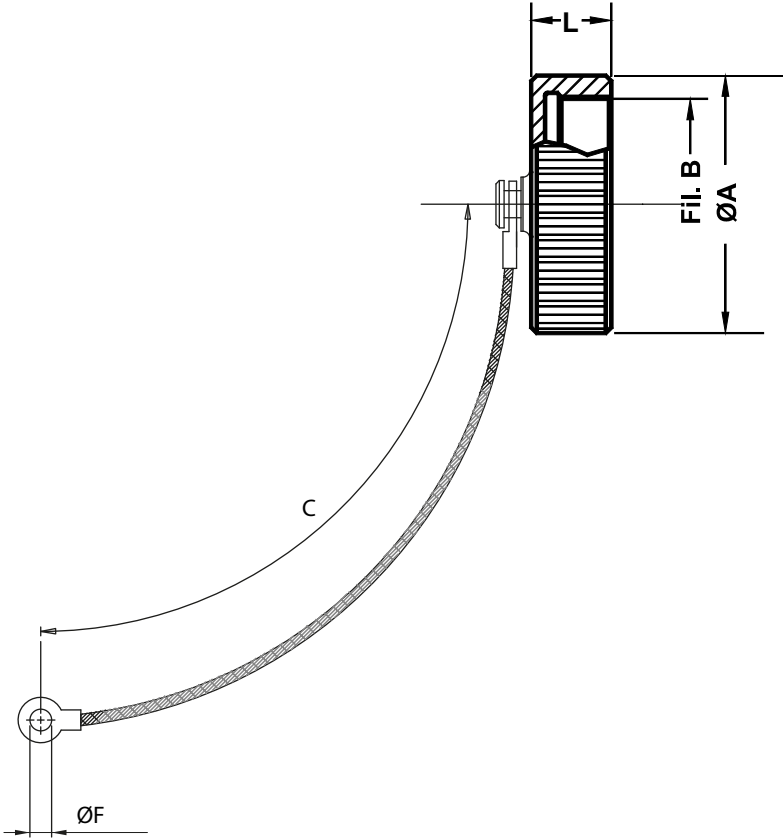
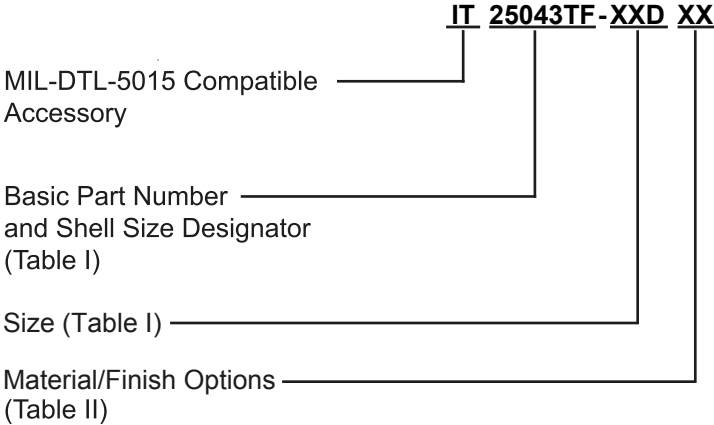
TABLE II

ALUMINUM FINISH OPTIONS (*)	
Sym	Description
F2	Bright Nickel Plating
F6	Black Electrodeposited Paint
F7	Black Zinc Nickel
F8	Olive Drab Zinc Nickel
Omit for standard version (Cadmium Olive Drab Finish)	
MATERIAL OPTIONS	
FK	Stainless Steel
MB	Marine Bronze

(*) For further finish options, please contact the factory.

Tappo metallico con catena in acciaio inox. *Metal cap with stainless steel chain.*

Tappo a vite per connettori da pannello
Threaded cap for receptacle connectors



Tappo metallico con fune in acciaio inox.

Metal cap with stainless steel wire rope.

IT 25043TF - XXD

Tappo a vite per connettori da pannello *Threaded cap for receptacle connectors*

TABLE I: CONNECTOR SIZE AND DIMENSIONS

Glenair P /N	Connector size	ØA	B Thread	C min.	L	ØF +0.2 -0
IT 25043TF - 10D	10S - 10SL	20.7	0.6250 - 24UNEF	193	11.9	4.30
IT 25043TF - 12D	12 - 12S	25.4	0.7500 - 20UNEF	193	11.9	4.30
IT 25043TF - 14D	14 - 14S	28.6	0.8750 - 20UNEF	193	11.9	4.30
IT 25043TF - 16D	16 - 16S	30.2	1.0000 - 20UNEF	193	11.9	4.30
IT 25043TF - 18D	18	34.1	1.1250 - 18UNEF	193	11.9	4.30
IT 25043TF - 20D	20	37.3	1.2500 - 18UNEF	193	11.9	4.30
IT 25043TF - 22D	22	40.4	1.3750 - 18UNEF	193	11.9	4.30
IT 25043TF - 24D	24	43.6	1.5000 - 18UNEF	193	11.9	4.30
IT 25043TF - 28D	28	50.0	1.7500 - 18UNS	193	13.5	5.30
IT 25043TF - 32D	32	56.3	2.0000 - 18UNS	193	13.5	5.30
IT 25043TF - 36D	36	62.7	2.2500 - 16UN	193	13.5	5.30
IT 25043TF - 40D	40	69.0	2.5000 - 16UN	193	13.5	5.30

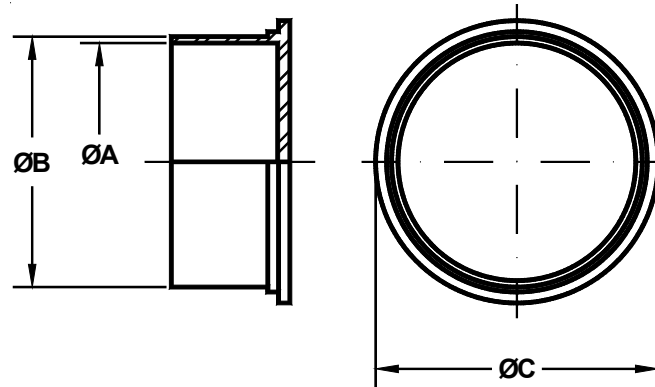
TABLE II

ALUMINUM FINISH OPTIONS (*)	
Sym	Description
F2	Bright Nickel Plating
F6	Black Electrodeposited Paint
F7	Black Zinc Nickel
F8	Olive Drab Zinc Nickel
Omit for standard version (Cadmium Olive Drab Finish)	
MATERIAL OPTIONS	
FK	Stainless Steel
MB	Marine Bronze

(*) For further finish options, please contact the factory.

Tappo metallico con catena in acciaio inox. *Metal cap with stainless steel chain.*

Tappo plastico antipolvere
Protective plastic cap



<i>Glenair P/N</i>	<i>Dimens. guscio Shell size</i>	A ±0.25	B ±0.25	C ±0.78
IT90376 - 10Y	10SL	13.46	15.11	19.05
IT90376 - 10R		15.37	16.89	21.33
IT90376 - 12Y	12S	16.64	18.16	21.84
IT90376 - 12R		18.29	19.68	24.64
IT90376 - 14Y	14S	19.94	21.46	26.19
IT90376 - 14R		21.59	22.99	28.57
IT90376 - 16Y	16S - 16	22.68	24.46	28.57
IT90376 - 16R		23.80	26.29	30.99
IT90376 - 18Y	18	26.11	27.63	31.75
IT90376 - 18R		27.76	29.34	33.78
IT90376 - 20Y	20	29.21	30.86	35.71
IT90376 - 20R		31.28	33.04	37.21
IT90376 - 22Y	22	32.26	34.04	38.10
IT90376 - 22R		34.04	35.81	40.38
IT90376 - 24Y	24	35.30	37.08	41.66
IT90376 - 24R		37.16	38.94	43.18
IT90376 - 28Y	28	41.86	43.64	47.62
IT90376 - 28R		43.56	45.46	49.53
IT90376 - 32Y	32	48.00	50.04	53.97
IT90376 - 32R		49.91	51.82	56.39
IT90376 - 36Y	36	54.35	56.13	59.44
IT90376 - 36R		56.26	58.16	61.85
IT90376 - 40Y	40	60.45	62.23	66.04
IT90376 - 40R		61.98	64.26	67.56

Tappo di protezione contro la polvere.
La versione R è da usare con connettori da pannello, la versione Y con connettori volanti.

Cap for protection against dust.
The R version is for use with receptacles, the Y version for plugs.

Connettore da riposo *Dummy Receptacle*

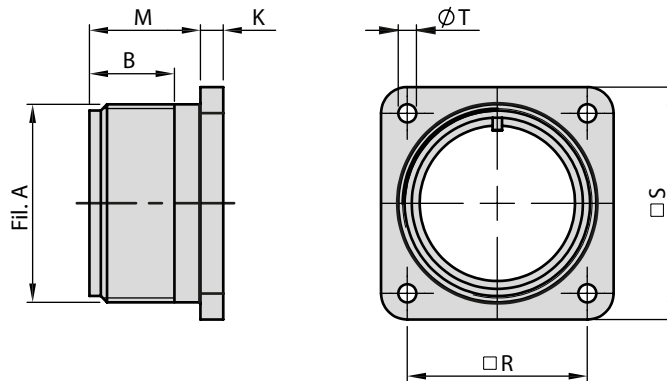
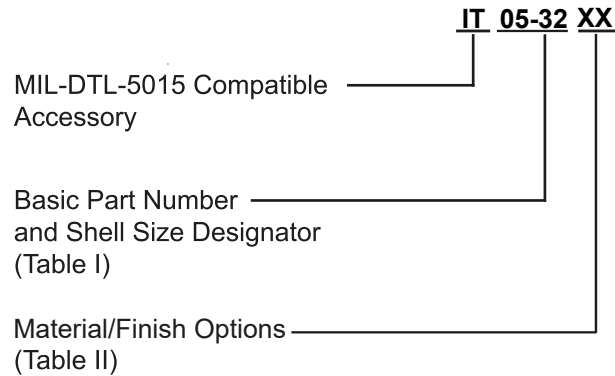


TABLE I: DIMENSIONS

Connector Size	A Thread	B min.	M +0.2 0	K ±0.2	ØT +0.1 0	R ±0.1	S ±0.2
10SL	0.6250 - 24UNEF	11	14.3	2.8	3.2	18.25	25.4
12S	0.7500 - 20UNEF	11	14.3	2.8	3.2	20.6	27.8
12	0.7500 - 20UNEF	16	19.1	2.8	3.2	20.6	27.8
14S	0.8750 - 20UNEF	11	14.3	3.3	3.2	23.0	30.0
14	0.8750 - 20UNEF	16	19.1	3.3	3.2	23.0	30.0
16S	1.0000 - 20UNEF	11	14.3	3.3	3.2	24.6	32.5
16	1.0000 - 20UNEF	16	19.1	3.3	3.2	24.6	32.5
18	1.1250 - 18UNEF	16	19.1	4.0	3.2	27.0	35.0
20	1.2500 - 18UNEF	16	19.1	4.0	3.2	29.4	38.0
22	1.3750 - 18UNEF	16	19.6	4.0	3.2	31.75	41.0
24	1.5000 - 18UNEF	17	20.6	4.0	3.7	34.9	44.5
28	1.7500 - 18UNS	17	20.0	4.0	3.7	39.7	50.9
32	2.0000 - 18UNS	17	22.3	4.0	4.3	44.45	57.0
36	2.2500 - 16UN	17	22.3	4.0	4.3	49.2	63.5
40	2.5000 - 16UN	17	22.3	4.0	4.3	55.5	69.9

TABLE II

ALUMINUM FINISH OPTIONS (*)	
Sym	Description
F2	Bright Nickel Plating
F6	Black Electrodeposited Paint
F7	Black Zinc Nickel
F8	Olive Drab Zinc Nickel
Omit for standard version (Cadmium Olive Drab Finish)	
MATERIAL OPTIONS	
FK	Stainless Steel
MB	Marine Bronze

(*) For further finish options, please contact the factory.

Connettore da riposo *Dummy Receptacle*

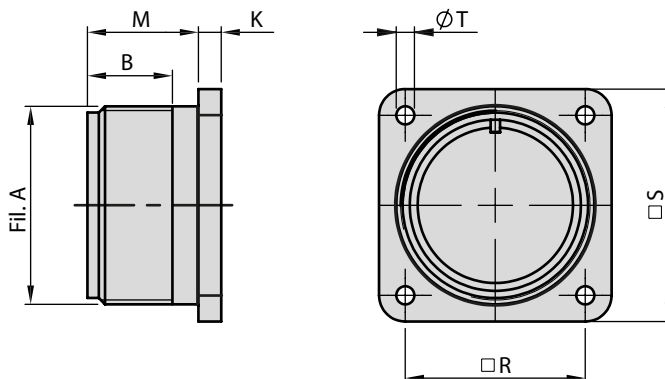
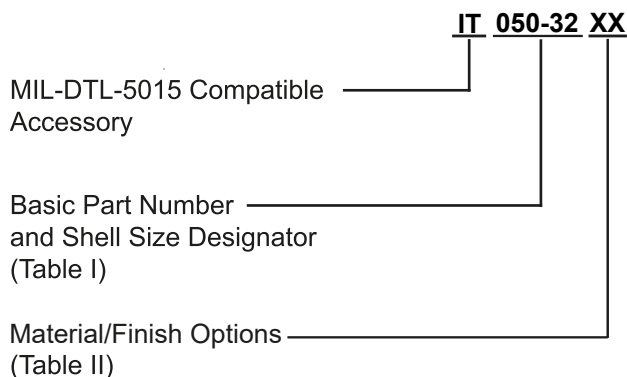


TABLE I: DIMENSIONS

Connector Size	A Thread	B min.	M +0.2 0	K ±0.2	ØT +0.1 0	R ±0.1	S ±0.2
10SL	0.6250 - 24UNEF	11	14.3	2.8	3.2	18.25	25.4
12S	0.7500 - 20UNEF	11	14.3	2.8	3.2	20.6	27.8
12	0.7500 - 20UNEF	16	19.1	2.8	3.2	20.6	27.8
14S	0.8750 - 20UNEF	11	14.3	3.3	3.2	23.0	30.0
14	0.8750 - 20UNEF	16	19.1	3.3	3.2	23.0	30.0
16S	1.0000 - 20UNEF	11	14.3	3.3	3.2	24.6	32.5
16	1.0000 - 20UNEF	16	19.1	3.3	3.2	24.6	32.5
18	1.1250 - 18UNEF	16	19.1	4.0	3.2	27.0	35.0
20	1.2500 - 18UNEF	16	19.1	4.0	3.2	29.4	38.0
22	1.3750 - 18UNEF	16	19.6	4.0	3.2	31.75	41.0
24	1.5000 - 18UNEF	17	20.6	4.0	3.7	34.9	44.5
28	1.7500 - 18UNS	17	20.0	4.0	3.7	39.7	50.9
32	2.0000 - 18UNS	17	22.3	4.0	4.3	44.45	57.0
36	2.2500 - 16UN	17	22.3	4.0	4.3	49.2	63.5
40	2.5000 - 16UN	17	22.3	4.0	4.3	55.5	69.9

TABLE II

ALUMINUM FINISH OPTIONS (*)	
Sym	Description
F2	Bright Nickel Plating
F6	Black Electrodeposited Paint
F7	Black Zinc Nickel
F8	Olive Drab Zinc Nickel
Omit for standard version (Cadmium Olive Drab Finish)	
MATERIAL OPTIONS	
FK	Stainless Steel
MB	Marine Bronze

(*) For further finish options, please contact the factory.

IT 40450 - XX
IT 40450 - XXS

Guarnizione per connettori da pannello
Gasket for fixed connectors

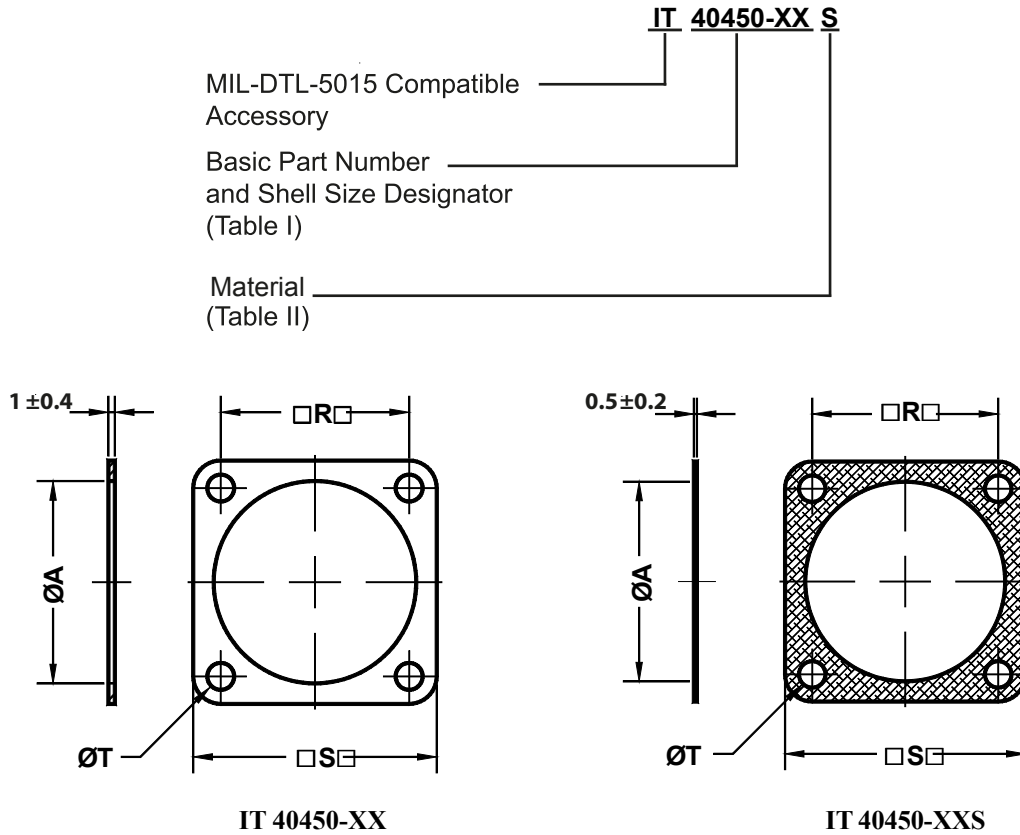


TABLE I: CONNECTOR SIZE AND DIMENSIONS

Codice P/N	Shell Size	ØA +1	R ±0.2	S ±0.5	ØT +0.5
IT 40450 - 10	10SL	15.7	18.2	25.4	4.2
IT 40450 - 12	12S-12	18.9	20.6	28.0	4.2
IT 40450 - 14	14S	22.1	23.0	30.0	4.2
IT 40450 - 16	16S - 16	25.3	24.6	32.5	4.2
IT 40450 - 18	18	28.4	27.0	35.0	4.2
IT 40450 - 20	20	31.6	29.4	38.0	4.2
IT 40450 - 22	22	34.8	31.8	41.0	4.2
IT 40450 - 24	24	38.0	34.9	44.5	4.2
IT 40450 - 28	28	44.3	39.7	50.8	5.1
IT 40450 - 32	32	50.7	44.5	57.0	5.1
IT 40450 - 36	36	57.0	49.2	63.5	5.1
IT 40450 - 40	40	61.9	55.5	69.9	5.1

Guarnizione per connettore fisso.
 IT40450-XX : non conduttiva,
 IT40450-XXS : conduttiva.

TABLE II

MATERIAL	
Sym	Description
S	Wire Mesh in Neoprene Substrate (Conductive)
F	Fluorosilicone
V	Viton
Y	Silicone
Omit for Neoprene	

Gasket for square flange receptacle.
 IT40450-XX : non conductive,
 IT40450-XXS : conductive.

More Options Than Ever Before! Glenair Commercial Series ITS Reverse Bayonet Connectors



EU Sales: Glenair Connectors Italia, S.r.L. Tel: +39-02-91082121 Email: sales-italia@glenair.com
North American Sales: Glenair Connecticut, Tel: 203-741-1115 Email: sales@glenair.com
Factory Support: Glenair Italia S.p.a. (Italy) Tel: +39-051-782811 Email: info@glenair.it

www.glenair.com

A World of Interconnect Solutions



Out of This World
**INTERCONNECT
SOLUTIONS**

Glenair, Inc.

1211 Air Way • Glendale, California • 91201-2497
Telephone: 818-247-6000 • Fax: 818-500-9912 • sales@glenair.com
www.glenair.com

**Glenair Power
Products Group**

860 N. Main Street Extension
Wallingford, CT
06492

Telephone:
203-741-1115
Facsimile:
203-741-0053
sales@glenair.com

Glenair UK Ltd

40 Lower Oakham Way
Oakham Business Park
P.O. Box 37, Mansfield
Notts, NG18 5BY England

Telephone:
+44-1623-638100
Facsimile:
+44-1623-638111
sales@glenair.co.uk

Glenair Microway Systems

7000 North Lawndale Avenue
Lincolnwood, IL
60712

Telephone:
847-679-8833
Facsimile:
847-679-8849

Glenair Nordic AB

Gustav III : S Boulevard 46
S - 169 27 Solna
Sweden

Telephone:
+46-8-50550000
Facsimile:
+46-8-50550001
sales@glenair.se

Glenair Electric GmbH

Schaberweg 28
D. 61348 Bad Homburg
Germany

Telephone:
06172 / 68 16 0
Facsimile:
06172 / 68 16 90
germany@glenair.com

Glenair Iberica

C/ La Vega, 16
45612 Velada
Spain

Telephone:
+34-925-89-29-88
Facsimile:
+34-925-89-29-87
sales@glenair.es

Glenair Italia S.p.A.

Via Del Lavoro, 7
40057 - Quarto Inferiore
Granarolo dell'Emilia
Bologna, Italy

Telephone:
+39-051-782811
Facsimile:
+39-051-782259
info@glenair.it

Glenair France SARL

7, Avenue Parmentier
Immeuble Central Parc #2
31200 Toulouse
France

Telephone:
+33-5-34-40-97-40
Facsimile:
+33-5-61-47-86-10
sales@glenair.fr

