

# GENERAL DUTY Series 107 Ground Straps



107-197 Five available materials • configurable heavy-duty solder-free crimp lugs



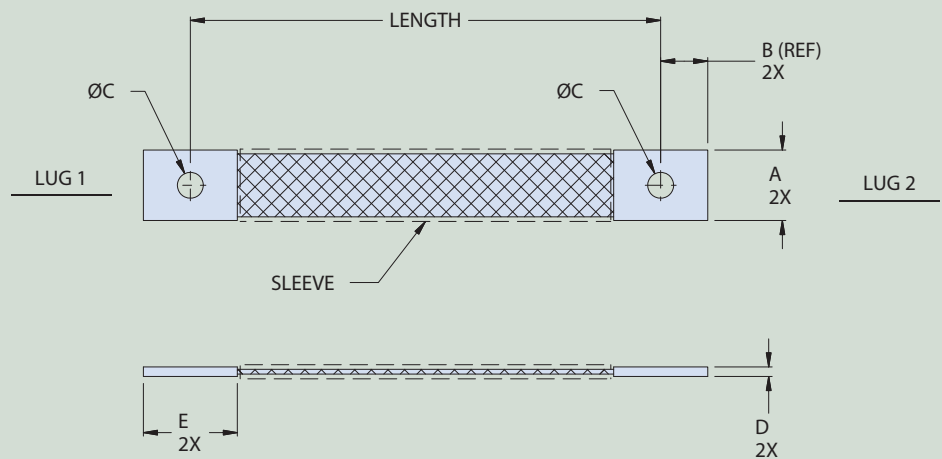
## GENERAL DUTY GROUND STRAPS, CRIMP LUGS

How To Order							
Sample Part Number	107-197	A	1000	E	H	-10	S
Product Series	General-duty ground strap, crimp lugs						
Braid Material Code	See Table I						
Size Code	See Table II						
Lug 1 Hole	See Table III (If specifying 2 different sizes, specify smaller hole as Lug 1)						
Lug 2 Hole	See Table III						
Length	In 1 inch increments. Tolerance $\pm .125$ for lengths up to 12" and $\pm 1\%$ for lengths greater than 12"						
Insulation	S = Insulated Sleeveing Omit for none						

Code	Braid Material
A	Copper / Tin Plated
B	Copper / Silver Plated
C	Copper / Nickel Plated
D	Stainless Steel
E	Nickel 200

Size Code	CSA (KCMIL)	A (Ref)	B	D (Ref)	E	Max. Lug Code
250	9.6	.41 (10.4)	.375 (9.5)	.09 (2.3)	.75 (19.1)	D
500	13.2	.60 (15.2)	.375 (9.5)	.08 (2.0)	.75 (19.1)	G
781	21.6	.75 (19.1)	.500 (12.7)	.10 (2.5)	1.00 (25.4)	H
1000	19.2	.86 (21.8)	.500 (12.7)	.10 (2.5)	1.00 (25.4)	I
1500	23.4	1.00 (25.4)	.500 (12.7)	.10 (2.5)	1.00 (25.4)	I
2000	28.8	1.25 (31.8)	.500 (12.7)	.10 (2.5)	1.00 (25.4)	I

Lug 1 & 2 Hole Size Code	C Dia.	Stud Size (Ref.)
A	.114 / .122 (2.9 / 3.1)	#4
B	.142 / .152 (3.6 / 3.9)	#6
C	.168 / .178 (4.3 / 4.5)	#8
D	.193 / .203 (4.9 / 5.2)	#10
E	.260 / .275 (6.6 / 7.0)	1/4
F	.323 / .338 (8.2 / 8.6)	5/16
G	.385 / .400 (9.8 / 10.2)	3/8
H	.448 / .463 (11.4 / 11.8)	7/16
I	.510 / .525 (13.0 / 13.3)	1/2



### MATERIAL/FINISH

Braid: 36 AWG, see P/N development, Table I

Lugs: See P/N development, Table I

Sleeve: M23053/13, fluoroelastomer (Viton)